



# Operator's Manual DHS-3006 Pruning saw

## WARNING

*Read and understand all provided literature before use.  
Failure to do so could result in serious injury.*

## WARNING

*Cancer and Reproductive Harm [www.P65Warnings.ca.gov](http://www.P65Warnings.ca.gov)*

Note: This product complies with CAN ICES-003(B) / NMB-003(B)

99922238301

© 05/2025 ECHO Incorporated

TABLE OF CONTENTS

Introduction.....3

Servicing Information.....3

    Parts / Serial Number.....3

    Service.....4

    ECHO Consumer Product Support ..... 4

    Product Registration.....4

    Additional Literature.....4

Safety.....5

    For safe use of your product.....5

    International Symbols.....6

    General Product Safety Warnings.....8

    General Pruning Saw Safety Warnings.....11

    Environmentally Safe Battery Disposal.....13

    FCC Statement.....14

    Causes And Operator Prevention Of Kickback.....15

    General Precautions.....16

    Precautions for Use.....17

    Protective Gear.....20

Description.....21

Contents.....22

Assembly.....23

    Guide Bar and Saw Chain Installation / Removal.....23

    Adjusting Chain Tension.....25

    Chain Lubricant.....26

    Recommended Ambient Temperatures.....26

    Battery Charging.....27

    Installing and Removing the Battery.....30

Operation.....30

    Starting The Unit.....30

    Stopping The Unit.....31

    Before Use.....32

    Cutting Instructions.....33

    Chain And Guide Bar Combination.....36

Maintenance.....37

    Skill Levels.....37

    Maintenance Intervals.....38

    Cleaning Battery And Battery Compartment.....39

    Guide Bar.....39

    Sprocket.....40

    Saw Chain Maintenance.....40

Troubleshooting.....44

Storage.....46

    Storage After Use.....46

Specifications.....47

Product Registration.....48

Warranty.....50

# INTRODUCTION

Specifications, descriptions and illustrative material in this literature are as accurate as known at the time of publication, but are subject to change without notice. Illustrations may include optional equipment and accessories, and may not include all standard equipment.



Read and understand all provided literature. Literature contains specifications and information for safety, operation, maintenance, storage, and assembly specific to this product. Scan QR code for more information.



For additional literature, including safety manuals where applicable, or questions regarding terms used in this manual, visit:

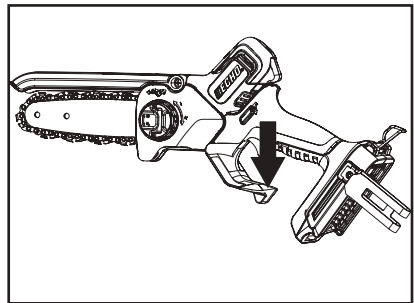
<https://www.echo-usa.com/manuals>



# SERVICING INFORMATION

## Parts / Serial Number

Genuine ECHO Parts and Assemblies for your ECHO products are available only from an Authorized ECHO Dealer. When you do need to buy parts always have the Model Number and Serial Number of the unit with you. For future reference write them in the space provided below.



Model No. \_\_\_\_\_

Serial No. \_\_\_\_\_

## Service

Service of this product during the warranty period must be performed by an Authorized ECHO Service Dealer. For the name and address of the Authorized ECHO Service Dealer nearest you, ask your retailer or call: 1-800-432-ECHO (3246). Dealer information is also available on our Web Site [www.echo-usa.com](http://www.echo-usa.com). When presenting your unit for Warranty service/repairs, proof of purchase is required.

## **ECHO Consumer Product Support**

If you require assistance or have questions concerning the application, operation, or maintenance of this product, call the ECHO Consumer Product Support Department at 1-800-432-ECHO (3246) from 8:00 am to 5:00 pm (Central Standard Time) Monday through Friday. Before calling, please know the model and serial number of your unit.

## **Product Registration**

Register your ECHO equipment online at [www.echo-usa.com](http://www.echo-usa.com) or by filling out the product registration sheet included in this manual. Registering your product confirms warranty coverage and provides a direct link to ECHO if we find it necessary to contact you.

## **Additional Literature**

In addition to finding information online, information is available from your Authorized ECHO Service Dealer, or by contacting ECHO Incorporated, 400 Oakwood Road, Lake Zurich, IL 60047, 1-800-432-ECHO (3246).

---

## SAFETY

---

### Manual Safety Symbols and Important Information

Throughout this manual and on the product itself, you will find safety alerts and helpful, informational messages preceded by symbols or key words. The following is an explanation of those symbols and key words and what they mean to you.

#### **DANGER**

*The safety alert symbol accompanied by the word “DANGER” calls attention to an act or condition which WILL lead to serious personal injury or death if not avoided.*

#### **WARNING**

*The safety alert symbol accompanied by the word “WARNING” calls attention to an act or condition which CAN lead to serious personal injury or death if not avoided.*

#### **CAUTION**

*The safety alert symbol accompanied by the word “CAUTION” calls attention to an act or condition which might lead to minor or moderate personal injury if not avoided.*

#### **NOTICE**

*The enclosed message provides information necessary for the protection of the unit.*












Note: This enclosed message provides tips for use, care and maintenance of the unit.



#### CIRCLE AND SLASH SYMBOL

This symbol means the specific action shown is prohibited. Ignoring these prohibitions can result in serious or fatal injury.

**International Symbols**

Symbol	Description	Symbol	Description
	Warning, see operator's manual.		Tip contact may cause the guide bar to move suddenly upward and backward, which may cause serious injury.
	Safety / Alert		Contact of the guide bar tip with any object should be avoided.
	Both of the operator's hands must be used to operate the product.		Direct current
	Wear eye and ear protection.		Volts
	Environmentally safe battery disposal		Chain oil fill
	Do not expose the product to rain or moist conditions.		

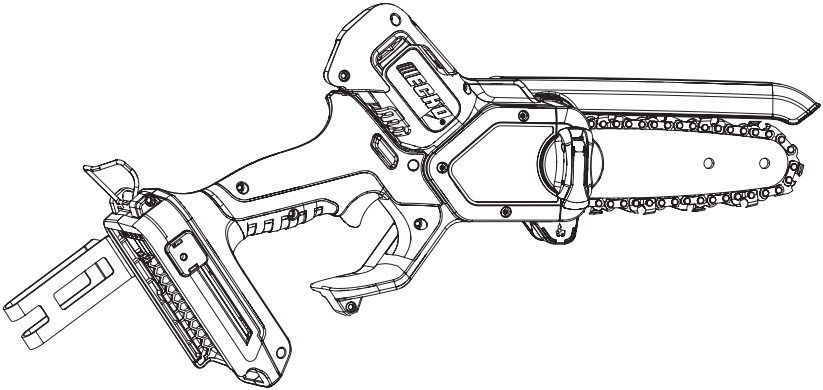
Note: Not all symbols will appear on your unit.

**Location in which the safety decal is attached**

- The safety decal shown below has been attached to the product described in this manual. Ensure that you understand what the decal means before using your product.

- If the decal becomes illegible due to wear and tear, damage, or peels off, please purchase a replacement decal from your dealer and attach it in the location shown in the illustration below. Ensure that the decal is readable at all times.

Note: The safety decal is for example only. Your label may appear slightly different.



**AVERTISSEMENT:** Pour réduire le risque de blessure, l'utilisateur doit lire le manuel d'instructions. Portez une protection pour les yeux. Portez une protection auditive. Ne pas exposer à la pluie. Attention au rebond de la scie d'élagage et évitez tout contact avec la pointe du guidon-chaîne. Utilisez toujours la scie d'élagage à deux mains. À utiliser uniquement avec la série de batteries ECHO eFORCE® 56V.

**WARNING:** To reduce the risk of injury, user must read instruction manual. Wear eye protection. Wear ear protection. Do not expose to rain. Beware of pruning saw kickback and avoid contact with bar tip. Always use pruning saw two-handed. For use only with ECHO eFORCE® 56V battery series.

**ADVERTENCIA:** Para reducir el riesgo de lesiones, el usuario debe leer el manual de instrucciones. Use protección para los ojos. Use protección para los oídos. No exponga la herramienta a la lluvia. Tenga cuidado con el contragolpe de la sierra de podar y evite el contacto con la punta de la barra. Utilice siempre la sierra de podar con las dos manos. Para uso exclusivo con baterías de la serie ECHO eFORCE® de 56 V.

**ECHO**  
**DHS-3006**  
**56V --- PRUNING SAW /**  
**SIERA A ELAGUER /**  
**SIERA DE PODAR**

Bar length: 6" (150 mm) /  
 longueur de la barre: 6 po (150 mm) /  
 longitud de la barra: 6" (150 mm)

**WARNING:** To reduce the risk of injury, user must read instruction manual. Wear eye protection. Wear ear protection. Do not expose to rain. Beware of pruning saw kickback and avoid contact with bar tip. Always use pruning saw two-handed. For use only with ECHO eFORCE® 56V battery series.

**ADVERTENCIA:** Para reducir el riesgo de lesiones, el usuario debe leer el manual de instrucciones. Use protección para los ojos. Use protección para los oídos. No exponga la herramienta a la lluvia. Tenga cuidado con el contragolpe de la sierra de podar y evite el contacto con la punta de la barra. Utilice siempre la sierra de podar con las dos manos. Para uso exclusivo con baterías de la serie ECHO eFORCE® de 56 V.

**Intertek**  
 5021526

Conforms to U.S. Std. E2 /  
 Conforme à U.S. Std. E2 /  
 Cumple con U.S. Std. E2

6" (150mm)  
 CERTIFIED TO CSA S10 C22.2 No. 147 /  
 Certifié selon la norme  
 CSA S10 C22.2 No. 147 /  
 Certificado a CSA S10 C22.2 No. 147

CSA S10 C22.2 No. 147  
 CAN ICES-0038 / NMS-0038

**ECHO**  
**DHS-3006**  
**56V --- PRUNING SAW /**  
**SIERA A ELAGUER /**  
**SIERA DE PODAR**

Bar length: 6" (150 mm) /  
 longueur de la barre: 6 po (150 mm) /  
 longitud de la barra: 6" (150 mm)

**WARNING:** To reduce the risk of injury, user must read instruction manual. Wear eye protection. Wear ear protection. Do not expose to rain. Beware of pruning saw kickback and avoid contact with bar tip. Always use pruning saw two-handed. For use only with ECHO eFORCE® 56V battery series.

**ADVERTENCIA:** Para reducir el riesgo de lesiones, el usuario debe leer el manual de instrucciones. Use protección para los ojos. Use protección para los oídos. No exponga la herramienta a la lluvia. Tenga cuidado con el contragolpe de la sierra de podar y evite el contacto con la punta de la barra. Utilice siempre la sierra de podar con las dos manos. Para uso exclusivo con baterías de la serie ECHO eFORCE® de 56 V.

## General Product Safety Warnings

### WARNING

**Read all safety warnings and all instructions.** *Failure to follow the warnings and instructions may result in electric shock, fire, and/or serious injury.*

**Save all warnings and instructions for future reference.**

*The term “product” in the warnings refers to your battery-operated (cordless) power tool.*

### WARNING

**Do not operate near electrical power lines. The product has not been designed to provide protection from electric shock in the event of contact with overhead electric lines. Consult local regulations for safe distances from overhead electric power lines and ensure that the operating position is safe and secure before operating the product.**

- Avoid Dangerous Environment – Don't use product in damp or wet locations.
- Don't Use In Rain.
- Keep Children Away – Children and bystanders should remain at a safe distance while operating the product.
- Dress Appropriately – Avoid wearing loose clothing or jewelry that can get caught in moving parts. It is recommended to use gloves and protective footwear when working outdoors. Wear protective hair covering to contain long hair.
- Use Safety Glasses – Always use face or dust mask if work area is dusty.
- Use Product Appropriately – Do not use product for any job except that for which it is intended.
- Never grasp the exposed cutting blades or cutting edges when picking up or holding the product.
- Avoid Overexerting the Product – The product performs better and safer when operated at its designated rate.
- Don't Overreach – Keep proper footing and balance at all times.
- Stay Alert – Watch what you are doing. Use common sense. Do not operate product when you are tired.
- Store Idle Products Indoors – When not in use, store the products indoors in a dry, elevated, or locked location out of reach of children.

- Maintain Product With Care – Keep cutting edge sharp and clean for best performance and to reduce the risk of injury. Follow instructions for lubricating and changing accessories. Inspect product cord periodically, and if damaged, consult authorized service center for repair. Inspect extension cords periodically and replace if damaged. Keep handles dry, clean, and free from oil and grease.
- Check Damaged Parts – Before each use, thoroughly inspect product for any damaged guards or other parts to ensure they will operate correctly and fulfill their intended function. Check for alignment of moving parts, binding of moving parts, broken parts, mounting, and any other conditions that may affect its operation. A guard or other parts that is damaged should be properly repaired or replaced by an authorized service center unless indicated elsewhere in this manual.
- Keep body parts away from the saw chain. Do not remove cut material or hold material to be cut when blades are moving. Make sure the switch is off when clearing jammed material. Saw chain continues to move after the switch is turned off. A moment of inattention while operating the product may result in serious personal injury.
- Carry the product by the handle with the saw chain stopped. When transporting or storing the product, always use the saw chain device cover. Proper handling of the product will reduce possible personal injury from the saw chain.
- Hold the product by insulated gripping surfaces only, because the saw chain can make contact with hidden wiring or its own cord. A saw chain contacting a "live" wire may make exposed metal parts of the product "live" and could give the operator an electric shock.
- Avoid using the product in bad weather conditions, especially during lightning storms, to reduce the risk of being struck by lightning.
- To reduce the risk of electrocution, never use near any electrical power lines. Contacting or using the product near power lines can lead to severe injury or electric shock, which may result in death.
- Always use two hands when operating the product. Hold the product with both hands to avoid loss of control.
- Always use head protection when operating the product overhead. Falling debris can result in serious personal injury.
- To prevent unintentional starting, ensure the switch is in the off position before connecting to a power source or battery, picking up, or carrying the product. Avoid carrying the product with your finger on the switch or powering it with your finger on the switch, as this can lead to personal injury.
- Disconnect the battery pack from the product before making any adjustments, changing accessories, or storing product. Such preventive safety measures reduce the risk of starting the product accidentally.
- Recharge only with ECHO eFORCE® 56V battery series chargers. A

charger that is suitable for one type of battery may create a risk of fire when used with another battery.

- Use only with ECHO eFORCE® 56V battery series. Use of any other batteries may create a risk of injury and fire.
- When battery pack is not in use, keep it away from other metal objects, like paper clips, coins, keys, nails, screws, or other small metal objects, that can make a connection from one terminal to another. Shorting the battery terminals together may cause burns or a fire.
- Avoid contact with liquid that may be ejected from the battery under abusive conditions. If contact occurs, flush with water and seek medical help if it gets into the eyes. Ejected liquid from the battery can cause irritation or burns.
- Do not use a battery pack or appliance that is damaged or modified. Damaged or modified batteries may exhibit unpredictable behavior resulting in fire explosion or risk of injury.
- Do not expose a battery pack or product to fire or excessive temperature. Exposure to fire or temperature above 265°F (130°C) may cause explosion.
- Follow all charging instructions and do not charge the battery pack or product outside of the temperature range specified in the instructions. Charging improperly or at temperatures outside of the specified range may damage the battery and increase the risk of fire.
- For service or repairs, consult your nearest service center that will use identical replacement parts to ensure the safety of the product.
- Do not modify or attempt to repair the product or the battery pack (as applicable) except as indicated in the instructions for use and care.

## Proper Clothing

**Wear snug-fitting, durable clothing:**

- **Pants should have long legs, shirts should have long sleeves.**
- **DO NOT WEAR SHORTS.**
- **DO NOT WEAR TIES, SCARVES, JEWELRY, or clothing with loose or hanging items that could become entangled in moving parts or surrounding growth.**
- **Keep clothing buttoned or zipped, and keep shirt tails tucked in.**
- **Wear sturdy work shoes with nonskid rubber soles.**
- **Wear sturdy, no-slip, rubber work gloves to improve your grip on the handles. Gloves also provide protection against cuts and scratches, cold environments, and reduce the transmission of machine vibration to your hands.**
- **DO NOT WEAR OPEN TOED SHOES.**
- **DO NOT OPERATE UNIT WITH BARE FEET.**

## General Pruning Saw Safety Warnings

### WARNING

- **Keep all parts of the body away from the saw chain when the pruning saw is operating. Before you start the pruning saw, make sure the saw chain is not contacting anything.** *A moment of inattention while operating products may cause entanglement of your clothing or body with the saw chain.*
- **Always grasp the pruning saw firmly with both hands when you are working.** *This reduces the risk of serious or fatal injuries to the operator or bystanders from loss of control.*
- **Hold the pruning saw by insulated gripping surfaces only, because the saw chain may contact hidden wiring.** *Saw chains contacting a "live" wire may make exposed metal parts of the product "live" and could give the operator an electric shock.*
- **Wear eye protection. Further protective equipment for hearing, head, hands, legs and feet is recommended.** *Adequate protective equipment will reduce personal injury from flying debris or accidental contact with the saw chain.*
- **Do not operate a pruning saw, on a ladder, from a rooftop, or any unstable support.** *Operation of a product in this manner could result in serious personal injury.*
- **Always keep proper footing and operate the pruning saw only when standing on fixed, secure and level surface.** *Slippery or unstable surfaces may cause a loss of balance or control of the product.*
- **When cutting a limb that is under tension, be alert of spring back.** *When the tension in the wood is released, the spring loaded limb may strike the operator and/or throw the product out of control.*
- **Use extreme caution when cutting brush and saplings.** *The slender material may catch the saw chain and be whipped toward you or pull you off balance.*
- **Carry the pruning saw with the pruning saw switched off and away from your body. When transporting or storing the product, always fit the guide bar cover.** *Proper handling of the product will reduce the likelihood of accidental contact with the moving saw chain.*
- **Follow instructions for lubricating, chain tensioning and changing the bar and chain.** *Improperly tensioned or lubricated chain may either break or increase the chance for kickback.*
- **Cut wood only. Do not use pruning saw for purposes not intended. For example: do not use product for cutting metal, plastic, masonry or non-wood building materials.** *Use of the product for operations different than intended could result in serious injury or death.*

- **This pruning saw is not intended for tree felling.** *Use of the pruning saw for operations different than intended could result in serious injury to the operator or bystanders.*
- **Keep handles dry, clean, and free from oil and grease.** *Greasy, oily handles are slippery causing loss of control.*
- **Follow all instructions when clearing jammed material, storing or servicing the product. Make sure the trigger switch is off and the battery is removed.** *Unexpected actuation of the product while clearing jammed material or servicing may result in serious personal injury.*
- **Do not operate pruning saw in a tree unless you have been professionally trained to do so.** *Operation of a Pruner Saw in a tree without proper training could increase the risk of serious personal injury. If working in a tree, the operator must be trained in safe climbing techniques and the use of all recommended safety equipment such as harnesses, loops, strops, ropes, and carabiners, for the operator and for the saw.*

## Environmentally Safe Battery Disposal



Recycle your ECHO 56V battery system batteries FOR FREE at Rechargeable Battery Recycling Corporation (RBRC) recycling locations. Call 1-800-822-8837 or visit <https://www.call2recycle.org> for details.

The toxic and corrosive materials below are in the batteries used in this machine: Lithium-Ion, a toxic material.

### **WARNING**

***Discard all toxic materials in a specified manner to prevent contamination of the environment. Before discarding a damaged or worn out Lithium-ion battery, contact your local waste disposal agency, or the local Environmental Protection Agency for information and specific instructions. Take the batteries to a local recycling and/or disposal center, certified for Lithium-ion disposal.***

### **WARNING**

***If the battery cracks or breaks, with or without leaks, do not recharge it and do not use. Discard it and replace with a new battery. DO NOT TRY TO REPAIR IT! To prevent injury and risk of fire, explosion, or electric shock, and to avoid damage to the environment:***

- Cover the terminals of the battery with heavy-duty adhesive tape.
- DO NOT try to remove or destroy any of the battery components.
- DO NOT try to open the battery.
- If a leak develops, the released electrolytes are corrosive and toxic. DO NOT get the solution in the eyes or on skin, and do not swallow it.
- DO NOT put these batteries in your regular household trash.
- DO NOT incinerate.
- DO NOT put them where they will become part of any waste landfill or municipal solid waste stream.
- Take them to a certified recycling or disposal center.

## FCC Statement

This device complies with Part 15 of the FCC Rules. Operation is subject to the following two conditions:

- This device may not cause harmful interference.
- This device must accept any interference received, including interference that may cause undesired operation.

## CAUTION

***Changes or modifications not expressly approved by the party responsible for compliance could void the user's authority to operate the equipment.***

## NOTICE

*This equipment has been tested and found to comply with the limits for a Class B digital device, pursuant to Part 15 of the FCC Rules.*

*These limits are designed to provide reasonable protection against harmful interference in a residential installation. This equipment generates, uses and can radiate radio frequency energy, and if not installed and used in accordance with the instructions, may cause harmful interference to radio or television reception. The reception can be determined by turning the equipment off and on. The user is encouraged to try to correct the interference by one or more of the following measures:*

- Reorient or relocate the receiving antenna.
- Increase the separation between the equipment and the receiver.
- Connect the equipment into an outlet on a circuit different from that to which the receiver is connected.
- Consult the dealer or an experienced radio/TV technician for help.

## Causes And Operator Prevention Of Kickback

### WARNING

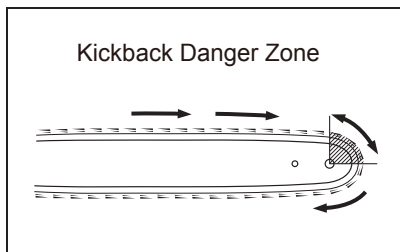
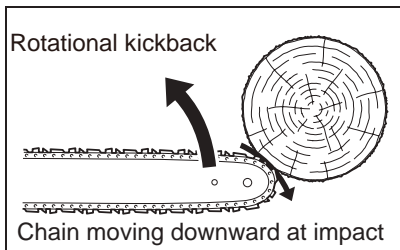
***Kickback may occur when the nose or tip of the guide bar touches an object, or when the wood closes in and pinches the saw chain in the cut.***

Tip contact in some cases may cause a sudden reverse reaction, kicking the guide bar up and back towards the operator.

Pinching the saw chain along the top of the guide bar may push the guide bar rapidly back towards the operator. Either of these reactions may cause you to lose control of the saw which could result in serious personal injury. Do not rely exclusively upon the safety devices built into your saw. As a product user, you should take several steps to keep your cutting jobs free from accident or injury.

Kickback is the result of tool misuse and/or incorrect operating procedures or conditions and can be avoided by taking proper precautions as given below:

- Maintain a firm grip with both hands on the saw, and your body and arms positioned to allow you to resist kickback forces.**  
*Kickback forces can be controlled by the operator, if proper precautions are taken. Do not let go of the product.*
- Do not overreach and do not cut above shoulder height.** *This helps prevent unintended tip contact and enables better control of the product in unexpected situations.*
- Only use replacement bars and chains specified by the manufacturer.** *Incorrect replacement bars and chains may cause chain breakage and/or kickback.*
- Follow the manufacturer's sharpening and maintenance instructions for the saw chain.** *Decreasing the depth gauge height can lead to increased kickback.*
- With a basic understanding of kickback, you can reduce or eliminate the element of surprise. Sudden surprise contributes to accidents. Understand



that rotational kickback is preventable by keeping an unshielded bar nose from touching an object or the ground.

- Do not operate a pruning saw with one hand! Serious injury to the operator, helpers or bystanders may result from one-handed operation. For proper control, always use two hands when operating a pruning saw, one of which operates the trigger. Otherwise, this can result in the chain saw "skating" or skidding, which can result in personal injury due to loss of control.
- Keep a good firm grip on the saw which both hands when the unit is running. Use a firm grip with thumbs and fingers encircling the pruning saw handles. A firm grip will help you reduce kickback and maintain control of the saw. Two hands must be used to control the saw at all times.
- Make sure that the area in which you are cutting is free from obstructions. Do not let the bar nose contact a log, branch, or any other obstruction which could be hit while you are operating the saw.
- Cutting at high speeds may reduce the likelihood of kickback. But cutting at part-throttle or low speeds may be preferable to control the product in tight situations and may also reduce the likelihood of kickback.

## General Precautions

### Do not modify the product

You must not modify the product. *To do so could lead to an accident or serious injury. Any malfunction resulting from a modification to the product will not be covered by the manufacturer's warranty.*

### Loaning or assigning your product

- When loaning your product to another party, ensure that the person borrowing the product receives the operator's manual along with it.
- If you assign your product to another party, please enclose the operator's manual with the product when handing it over. *Failure to do so could lead to an accident or serious injury.*

### Being prepared in case of an injury

In the unlikely event of an accident or injury, please ensure that you are prepared.

- First aid kit
- Towels and wipes (to stop any bleeding)
- Whistle or mobile phone (for calling for outside help). *If you are unable to perform first aid or call for outside help, the injury could get worse.*

## Precautions for Use

### DANGER

***Starting the unit: Never try to start the unit by positioning yourself on the saw chain side. Physical injury can occur if the saw chain suddenly starts to move.***

### WARNING

#### Users of the product

The product should not be used by:

- people who are pregnant
- people who are in poor physical condition
- people who have not read the operator's manual
- children
- *Failure to observe these instructions could lead to an accident.*

The components of this machine generate an electromagnetic field during operation, which may interfere with some pacemakers. To reduce health risks, we recommend that pacemaker users consult their physician and the pacemaker manufacturer before operating this product.

If you have any physical condition which strenuous work could worsen, check with your physician before using the pruning saw.

### WARNING

#### Transport of the product

When transporting the pruning saw by hand or using the belt clip, install the guide bar cover, hold it by the rear handle with the guide bar pointing down and your finger off the trigger switch.

- Moving to the place where you are working
- Moving to another area while you are working
- Leaving the place where you have been working.

*Failure to observe these precautions could cause serious injury.*

Orient guide bar downward when carrying the product.

When transporting the product by vehicle, install the guide bar cover, and secure the product firmly in place to prevent it from moving around.

Secure the unit against unintentional startup. Remove the battery from the unit before transporting or storing the unit. Do not use metal containers for transporting batteries.

### Starting the unit

Be particularly careful to observe the following precautions when starting the unit:

- Always ensure all handles and guards are fitted.
- Check that none of the nuts and bolts are loose.
- Check that the guide bar is not damaged or excessively worn. If you find any abnormalities, do not use the product.
- Operate the unit only in well-ventilated areas. Oil mist (from lubrication) or saw dust is harmful to health.
- Leave plenty of space around the product and do not allow people or animals near it.
- Never operate the pruning saw when you are alone. Arrange to have someone remain within calling distance in case you need help.
- Remove obstructions, if any.

*Failure to observe the precautions could cause an accident or injury, or even lead to a fatality.*

### Once the unit has started, check for abnormal vibrations and sounds.

Check that there are no abnormal vibrations or sounds once the unit starts. Do not use the product if there are abnormal vibrations or sounds. Contact your dealer to have it repaired. *Accidents involving parts that fall or shatter off can cause wounds or serious injury.*

### Remove the battery:

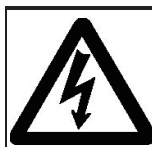
- whenever the machine is left by the user
- before clearing a blockage
- before checking, cleaning or working on the machine
- after striking a foreign object to inspect the machine for damage.

*Accidents can occur if the product starts unexpectedly.*

**Do not touch high voltage components while the product is running.**

Do not touch high voltage components while the product is running.

- High voltage components. *You could receive an electric shock if you touch a high voltage component while the product is running.*

**Turn off the unit and remove battery when checking or maintaining the product.**

Observe the following precautions when checking and maintaining your product after use:

Turn the unit off and do not attempt to check or maintain the product until unit has cooled. *You could burn yourself on a hot unit.*

**Turn off the unit immediately if anything goes wrong.**

In the following situations, turn off the unit immediately and ensure that the cutting device has stopped before checking each area of the product. Replace any damaged parts.

- If the cutting device hits a rock, tree, post, or other such obstruction while you work.
- If the product suddenly starts to vibrate abnormally. *Continuing to use parts when they are damaged could lead to an accident or serious injury.*

**A ten meter radius is a danger zone.**

The area within a 10 m (33 ft.) radius of the product is a danger zone. Be careful to observe the following precautions while working with the product.

- If another person enters the danger zone, turn off the unit.
- Do not allow anyone to hold the material you are cutting. Any contact with the saw chain could cause serious injury.

## Using the product.

When using the product, pay special attention to observe the following precautions.

- Do not operate a product that is damaged, improperly adjusted, or not completely and securely assembled.
- Stay on the uphill side when bucking or limbing logs which might roll when cut.

*Failure to observe these instructions will cause the product to be held unsteadily and could result in serious injury.*

## Make sure that the saw chain is stopped before putting the unit on the ground

When you stop the unit, check to ensure the saw chain has stopped moving before you lower the product to the ground. Even if the unit has been turned off, the saw chain can still cause an injury while free-wheeling.

## Protective Gear



### Wear protective gear

Always wear the following protective gear when working with the product.

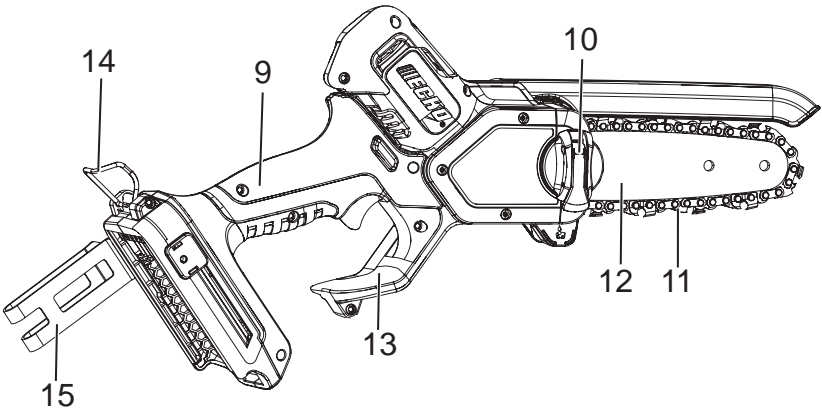
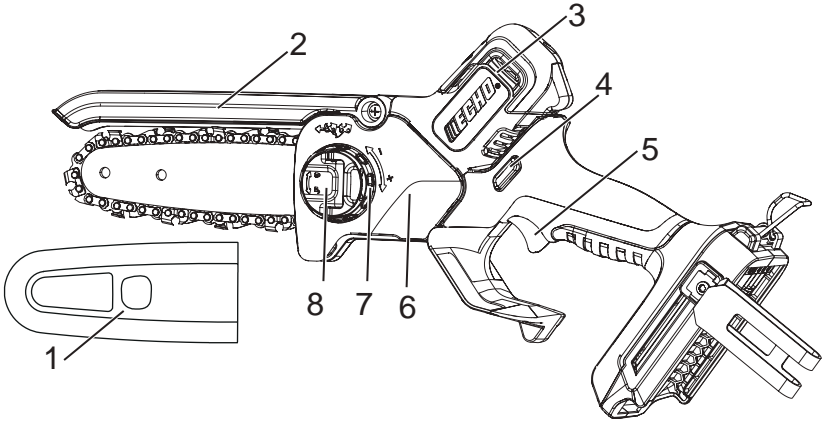
- a Head protection (cap, hat or helmet): *Protects the head*
- b Ear muffs or ear plugs: *Hearing protection*
- c Safety goggles: *Protect the eyes*

*Failure to observe these precautions could result in damage to your sight or hearing, or lead to a serious injury.*

When necessary, please use the protective gear below:

- Dust mask: *Breathing protection*
- Bee net: *Insect protection*

DESCRIPTION



1. Guide bar cover
2. Guard
3. Front handle
4. Trigger switch lockout
5. Trigger switch
6. Sprocket cover
7. Chain tensioner knob
8. Sprocket cover knob
9. Rear handle
10. Oil tank cap
11. Saw chain
12. Guide bar
13. Protection plate
14. Lifting hook
15. Belt clip

## CONTENTS

The ECHO product you purchased has been factory pre-assembled for your convenience. Due to packaging restrictions, some assembly may be necessary.

After opening the carton, check for damage. Immediately notify your retailer or ECHO Dealer of damaged or missing parts. Use the contents list to check for missing parts.

- 1 Pruning saw
- 1 Operator's Manual
- 1 Guide bar cover

## NOTICE

*For a complete list of compatible batteries for this and all ECHO 56V battery system tools, scan this code or visit <https://www.echo-usa.com/battery-information>*



## ASSEMBLY

### WARNING

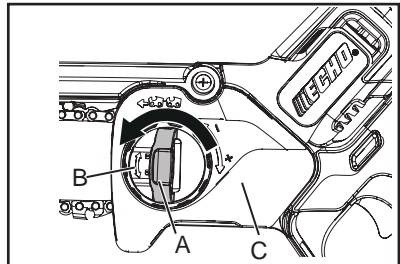
*Always remove the battery before performing any of the following operations, otherwise serious personal injury might result.*

### CAUTION

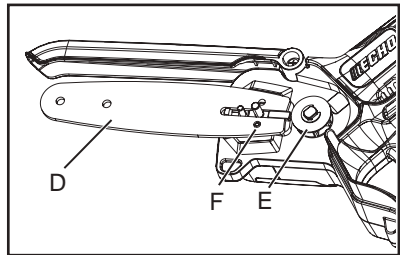
*All adjustments should be made cold. Always wear gloves when working on a saw chain. Do not operate with a loose chain, otherwise personal injury might result.*

## Guide Bar and Saw Chain Installation / Removal

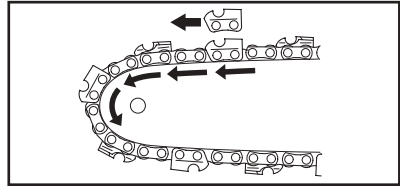
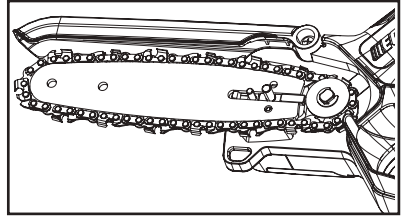
1. Raise the handle (A) of the sprocket cover knob (B).
2. Loosen the sprocket cover (C) by turning the sprocket cover knob (B) counterclockwise.
3. Remove the sprocket cover (C).



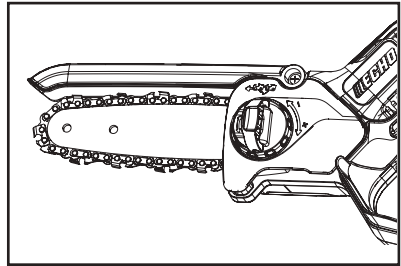
4. Mount the guide bar (D) and slide toward sprocket (E) to make saw chain installation easier.
5. Ensure that chain tension adjuster (F) fits into guide bar hole.



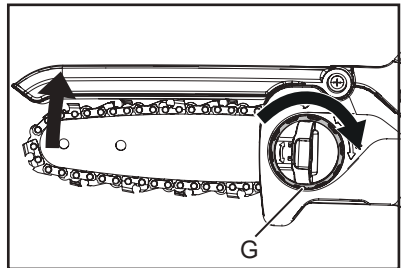
6. Install saw chain as shown (ensure cutters are pointing in the right direction).



7. Install sprocket cover onto guide bar stud. Tighten sprocket cover knob four turns.



8. Hold the guide bar nose up and turn the chain tension knob (G) clockwise until the chain fits snugly against the underside of the guide bar.



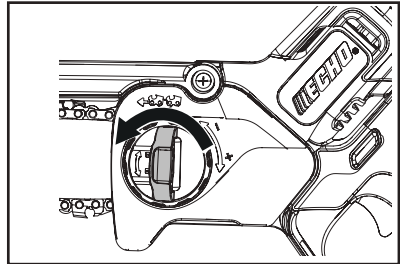
9. Tighten sprocket cover knob with the guide bar nose held up.
10. Pull the chain around the guide bar by hand. Loosen the chain tension knob if you feel tight spots while rotating chain on the bar by hand.

## Adjusting Chain Tension

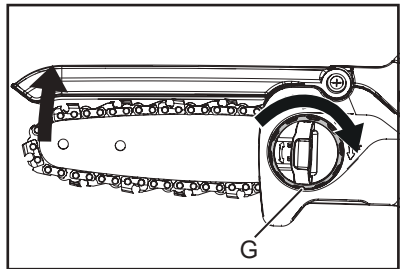
# NOTICE

*Always loosen sprocket cover knob before turning the chain tension adjuster, otherwise the sprocket cover and tensioner will be damaged.*

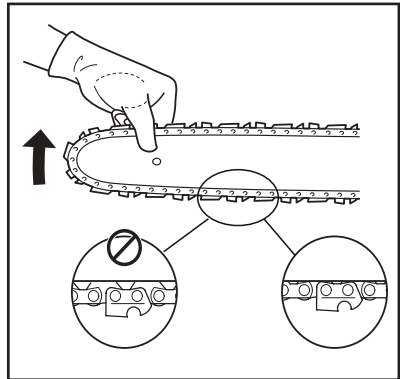
1. Loosen sprocket cover knob one turn.



2. Hold the bar nose up, and turn the chain tensioner knob (G) clockwise towards (+) until chain contacts underside of the bar.
3. Tighten sprocket cover knob with the bar nose held up and under tension.



4. Pull the chain around the guide bar by hand. Loosen the chain tension knob if you feel tight spots while rotating chain on the bar by hand.



5. Assemble components in reverse order.
6. Keep chain properly tensioned at all times.

Note: All chains require frequent adjustments.

**Chain Lubricant**

Proper lubrication of the chain while in operation minimizes friction between the chain, the guide bar and sprocket.

Use ECHO genuine chain oil or ECHO recommended chain oil specially formulated for bars and chains for proper lubrication.

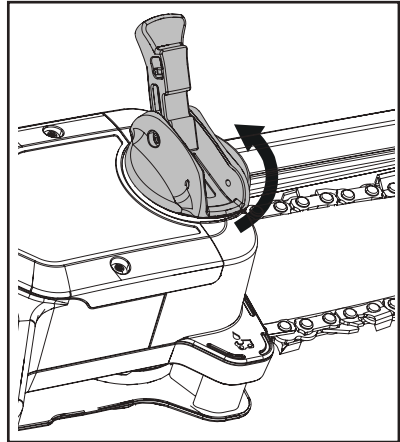
Consult your ECHO dealer for the proper chain oil.

Never use waste or reclaimed oil to avoid various malfunctions in oil system, or on chain and guide bar.

Lubrication problems caused by the use of improper oil will void the warranty.

Especially, vegetable based chain oil quickly turns to resin and adheres to oil pump, chain and guide bar.

It causes malfunctions and will shorten product life. If vegetable oil use is required due to local / municipal rule or any other reason, then flush chain oil system with mineral or chemical based chain oil after vegetable oil use.



**Recommended Ambient Temperature:**

	Charging		Usage/Discharging		Storage	
	Low	High	Low	High	Low	High
Product <sup>(1)</sup>	Not Applicable		32°F (0°C)	113°F (45°C)	32°F (0°C)	113°F (45°C)
Battery <sup>(2)(3)</sup>	39°F (4°C)	104°F (40°C)	32°F (0°C)	113°F (45°C)	32°F (0°C)	113°F (45°C)
Charger	39°F (4°C)	104°F (40°C)	Not Applicable		32°F (0°C)	113°F (45°C)

<sup>(1)</sup> Assumes the battery is just off the charger or stored at the temperature range noted for Charger Usage 39° F (4°C) - 104°F (40°C).

<sup>(2)</sup> Hot batteries in high ambient temperatures require longer charge times.

<sup>(3)</sup> To maximize battery life of batteries being stored more than 3 months, ECHO recommends batteries being stored at 3 green lights on the battery capacity indicator (BCI) at an ambient temperature of 60°F (16°C) - 80°F (27°C), and not in direct sunlight.

Note: Long term storage of batteries in conditions or charge levels on the battery capacity indicator (BCI) other than noted above could reduce the performance and runtime of the battery.

## Battery Charging

### NOTICE

See separate operator's manuals packaged with battery and charger.

### WARNING

- ◆ Use only with ECHO eFORCE® 56V battery series batteries and chargers.
- ◆ Keep charger and battery away from damp conditions and all liquids.
- ◆ Do not operate the charger on an easily combustible surface (e.g. paper, textiles) or in an environment with a high risk of fire.
- ◆ Do not cover the charger. Covering the charger will prevent it from cooling.
- ◆ Do not operate the charger in explosive atmospheres, such as in the presence of flammable liquids, gases or dust. Charger can produce sparks which may ignite the dust or fumes - there is a risk of explosion.
- ◆ Connect the charger only to the mains of voltage and frequency specified on the rating plate.
- ◆ Connect the charger only to an easily accessible wall outlet.
- ◆ Never insert objects in the battery's or charger's cooling slots.
- ◆ Do not charge or use a defective, damaged or deformed battery and charger.
- ◆ Do not open, damage or drop the battery or the charger.
- ◆ Fluid may leak from the battery if it is damaged or not used properly; avoid contact with the skin. In the event of accidental contact, wash the affected areas of the skin with plenty of

water and soap. If fluid gets in the eyes, do not rub. Rinse the eyes with plenty of water for at least 15 minutes. Also seek medical assistance.

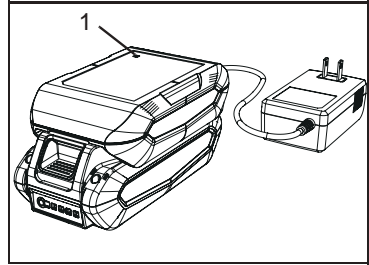
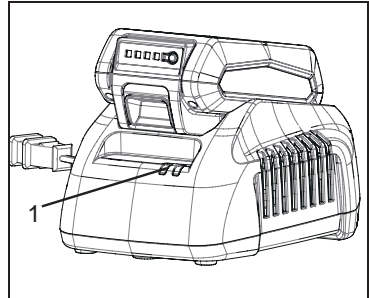
- ◆ Never bridge (short circuit) the battery contacts or the charger's terminals with metallic objects.
- ◆ Protect from direct sunlight, heat and open flames and never throw battery into fire; there is a risk of explosion.
- ◆ In the event of smoke or fire in the charger, disconnect it from the wall outlet immediately.
- ◆ If the connecting cord is damaged, immediately disconnect the plug from the power supply to avoid the risk of electric shock.
- ◆ Do not expose battery to microwaves or high pressure.
- ◆ To reduce the risk of stumbling, position and mark the connecting cord in such a way that it cannot be damaged or endanger others.

## NOTICE

*The battery comes partially charged from the factory and needs to be fully charged before first use. Charge the battery when it no longer produces sufficient power to operate the unit or when battery lights indicate that the battery is low.*

Note: Your charger might look different from those pictured.

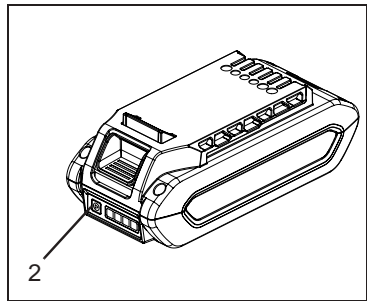
1. Plug charger AC cord in the wall outlet.
2. Align ridges on battery with grooves on charger, and slide battery into charger.
3. During normal charging, the charger LED (1) will blink GREEN.



**NOTICE**

*If charger detects a problem, LED will blink RED. Remove battery from charger, clear obstructions from contacts and reinstall battery into charger. If battery is outside acceptable temperature range (See Recommended Ambient Temperature chart) LED will remain RED.*

4. When charging is complete, LED will remain GREEN. See battery manual for charging time.
5. Verify battery is fully charged. Remove battery from charger, press battery charge status button (2), and check LED display.
  - One green light indicates that the battery has 1-24% charge.
  - Two green lights indicate that the battery has 25-54% charge.
  - Three green lights indicate that the battery has 55-79% charge.
  - Four green lights indicate that the battery has 80-100% charge.
6. Unplug charger AC cord from the wall outlet.



## Installing and Removing the Battery

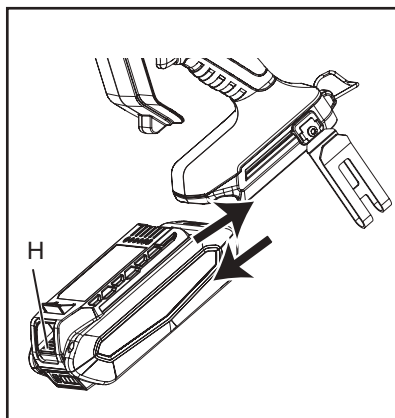
### WARNING

*The product will operate when the battery is installed, and the trigger switch and trigger switch lockout are engaged. Make sure the product is properly positioned to prevent loss of control and possible serious injury. Keep movable parts of the product off the ground and away from objects that could become entangled.*

*Note: The battery comes partially charged from the factory and needs to be fully charged before first use.*

### Installing the Battery

1. Align ridges on battery with groove on unit, and insert battery until battery latch (H) locks and a clicking sound is heard.



### Removing the Battery

1. To remove battery, depress battery latch (H), and slide battery out of the unit.

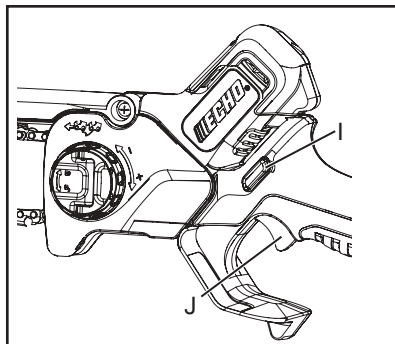
## OPERATION

### Starting the unit

### WARNING

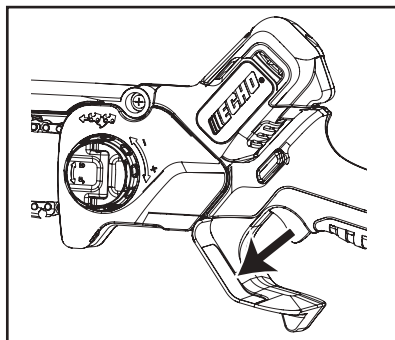
*When starting the unit, observe the precautions described in the "Safety" section. Failure to observe the precautions could cause an accident or injury, or even lead to a fatality.*

1. Remove guide bar cover.
2. Make sure guide bar and saw chain are not touching anything when starting the unit.
3. Hold the unit with both handles.
4. Hold down the trigger switch lockout (I) and depress trigger switch (J) to increase saw chain speed.



## Stopping the unit

1. Release trigger switch and trigger switch lockout, and allow saw chain to stop.



## ⚠ WARNING

- ◆ ***If the saw chain does not stop when the trigger switch and trigger switch lockout are released, remove the battery to stop the power supply to unit. Have your authorized ECHO servicing dealer repair unit before using again.***
- ◆ ***When the trigger switch is released, the saw chain automatically stops. Motor control changes depending on temperature of the battery therefore stop time of the saw chain might not be consistent.***

## Before Use

### Checking Chain Tension

## ⚠ WARNING

*Remove battery from unit when checking chain tension.*

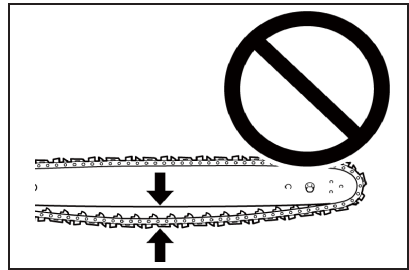
## NOTICE

*Always loosen sprocket cover knob before turning the chain tensioner knob, otherwise damage can occur to the sprocket cover and tensioner.*

## ⚠ CAUTION

*Do not operate with a loose chain. Serious injury can occur.*

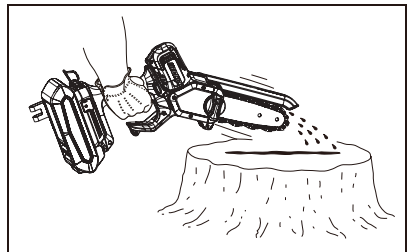
1. Chain tension should be checked frequently during work and adjusted as necessary.
2. Tension the chain as tight as possible, but so it can still be pulled easily along the guide bar by hand.



### Chain Lubrication Test

Hold the chain just above a dry surface and open the throttle to half speed for 30 seconds.

A thin line of "thrown" oil should be seen on the dry surface.



### Pre Cutting Test

- Familiarize yourself with your product before you start actual cutting.
- For this purpose it may be wise to practice by cutting some small logs or

limbs several times on a sawhorse or cradle.

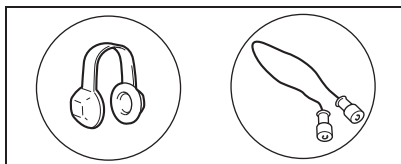
- Do not allow either people or animals into the work area. Multiple operators - Keep a safe distance between two or more operators when working together simultaneously.

## Cutting Instructions

### General

#### **WARNING**

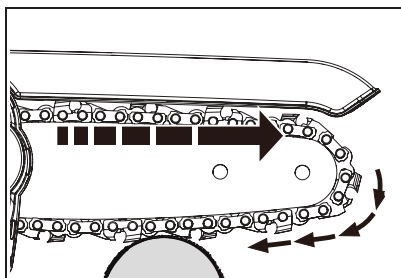
- ◆ ***This product is designed for cutting wood. Do not cut metal, plastic or any non-wood material.***
- ◆ ***Wear suitable hearing protection such as earmuffs or earplugs to protect against objectionable or uncomfortable loud noises.***



### Pull-in

Pull-in occurs when the chain on the bottom of the bar is suddenly stopped or significantly slowed when it is pinched, caught or encounters a foreign object in the wood. The reaction of the chain pulls the product forward and may cause the operator to lose control, which, in turn, may cause serious or fatal injury.

Pull-in usually occurs when the bumper of the product is not held securely against the branch or limb and the chain is not rotating at full speed before it contacts the wood.

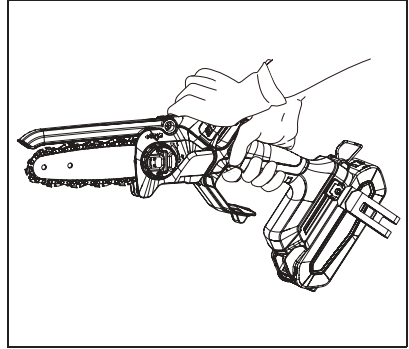


To reduce the risk of pull-in:

- Cut with a sharp, properly tensioned chain.
- Always start a cut with the chain rotating at full speed and with the bumper in contact with the wood.
- Use caution when cutting small-size brush, branches and saplings which may easily catch the chain, spring towards you or pull you off balance.
- Do not use the product with a damaged or missing guard.

## Holding and Controlling the Product

- Wear non-slip gloves for maximum grip and protection.
- Hold the saw firmly with both hands.
- Maintain a proper grip on the saw whenever the unit is running. The fingers should encircle the handle and the thumb is wrapped under the handlebar. This grip is least likely to be broken (by a kickback or other sudden reaction of the saw). Any grip in which the thumb and fingers are on the same side of the handle, is dangerous because a slight kick of the saw can cause loss of control.



## NOTICE

*Sap from palm trees may corrode metal parts unless proper saw maintenance is performed. Make sure to clean metal parts from palm sap immediately after use.*

- Remove sprocket guard. Clean wood chips and sawdust from guard and motor.
- Never use metal tools for cleaning which can scratch the metal paint and allow corrosion to develop.
- Clean sap accumulation from metal parts with cloth and warm water with soap.
- Rinse with clean water and dry metal surfaces.
- Apply a light coating of engine or bar and chain oil to metal parts after they are cleaned.
- Install and properly tension guide bar and chain. Run motor for one minute alternating motor speed between maximum RPM for 5 seconds and stop for 5 seconds to coat metal parts with additional protective chain oil.

**! CAUTION**

- ◆ Keep chain properly tensioned during operation to prevent the chain from jumping out of the guide bar rail slot and damaging motor parts.

## Cutting

**! WARNING**

*To reduce the risk of serious or fatal injuries to the operator or bystanders, keep hands, feet and other parts of the body away from the saw chain. Do not touch the saw chain while the battery is inserted into the product. Never touch the rotating saw chain with your hand or any part of your body.*

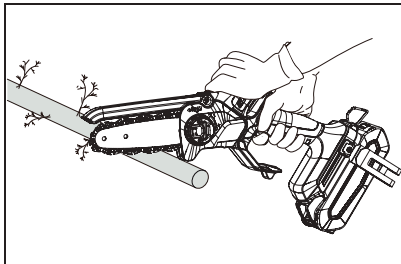
**! WARNING**

*Never hold the material to be cut or attempt to remove cut material without first releasing the trigger switch and removing the battery. Release the trigger switch and remove the battery before clearing jammed material.*

To reduce the risk of personal injury, never work with the product in the rain or in wet or damp conditions.

Always wear proper clothing and protective apparel, including proper eye protection. Work carefully and maintain proper control of the product. The product is designed for two-handed operation.

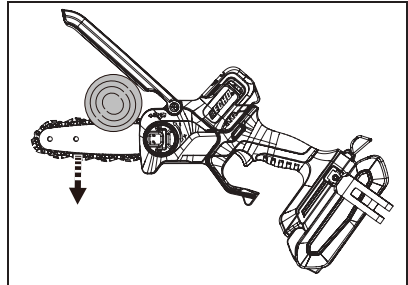
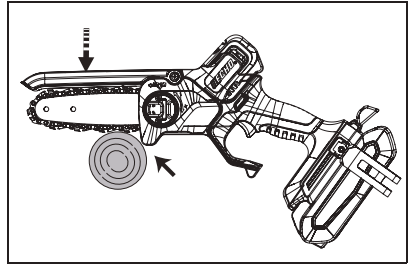
- Do not operate a pruning saw with one hand! Serious injury to the operator, helpers or bystanders may result from one-handed operation. For proper control, always use two hands when operating a pruning saw, one of which operates the trigger. Otherwise, this can result in the chain saw "skating" or skidding, which can result in personal injury



due to loss of control.

- Do not overreach and do not cut above shoulder height. This helps prevent unintended tip contact and enables better control of the product in unexpected situations.
- Always start a cut with the chain rotating at full speed and with the bumper in contact with the wood.
- Use caution when approaching the end of a cut.
- Never put pressure on the product when reaching the end of a cut.
- Do not cut more than one branch at the same time.

Observe all applicable laws, regulations, standards and ordinances.



### Chain And Guide Bar Combination

The following combinations are recommended for model DHS-3006.

Guide Bar		Saw Chain		
Length mm (in.)	ECHO Part No.	Pitch mm (in.)	Type	Links
	Low-kickback			
152 (6)	06K4HS3230	8.25 (0.325)	80TXL30CQ	30

---

## MAINTENANCE

---

### WARNING

*Moving parts can amputate fingers or cause severe injuries. Keep hands, clothing and loose objects away from all openings. Always stop motor, and make sure all moving parts have come to a complete stop before removing obstructions, clearing debris, or servicing unit. Allow unit to cool before performing service. Wear gloves to protect hands from sharp edges and hot surfaces.*

### WARNING

*Operating a poorly maintained unit can result in serious injuries to operator or bystanders. Always follow all maintenance instructions as written, otherwise serious personal injury can result.*

Your unit is designed to provide many hours of trouble free service. Regular scheduled maintenance will help your unit achieve that goal. If you are unsure or are not equipped with the necessary tools, we recommend that you take your unit to a Servicing Dealer for maintenance. To help you decide whether you want to DO-IT-YOURSELF or have the Dealer do it, each maintenance task has been graded. If the task is not listed, see your Dealer for repairs.

### Skill Levels

**Level 1** = Easy to do. Common tools may be required.

**Level 2** = Moderate difficulty. Some specialized tools may be required.

**Level 3** = See your dealer.

**Maintenance Intervals**

COMPONENT / SYSTEM	MAINTENANCE PROCEDURE	REQ'D SKILL LEVEL
<b>Daily or Before Use</b>		
Guide Bar & Sprocket Nose	Inspect / Clean *	<b>1</b>
Saw Chain	Inspect / Sharpen / Replace / Tensioning*	<b>2</b>
Sprocket	Inspect / Replace *	<b>2</b>
Screws / Nuts / Bolts	Inspect / Tighten / Replace *	<b>1</b>
Battery and Battery Compartment	Inspect / Clean *	<b>1</b>

**MAINTENANCE PROCEDURE NOTES:**

\* Replacement is recommended based on the finding of damage or wear during inspection.

** WARNING**

***If not maintained properly, the product may pose a serious risk to physical health.***

**NOTICE**

*If not maintained properly, the product's performance may deteriorate. Time intervals shown are maximum. Actual use and your experience will determine the frequency of required maintenance. When you find anything wrong, ask your ECHO dealer for repair.*

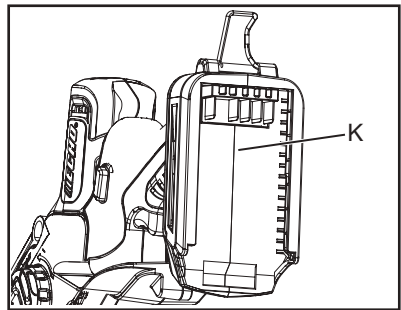
**! WARNING**

*Remove battery before performing maintenance procedures.*

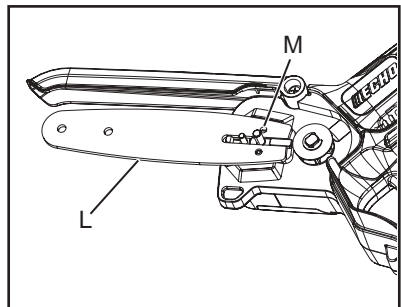
**Cleaning Battery and Battery Compartment****! WARNING**

*Risk of electric shock or fire. Do not use conducting materials to clean battery or battery compartment.*

1. Depress battery latch release and slide battery out of battery compartment.
2. Use compressed air or a soft bristle brush to remove debris from battery and battery compartment (K).

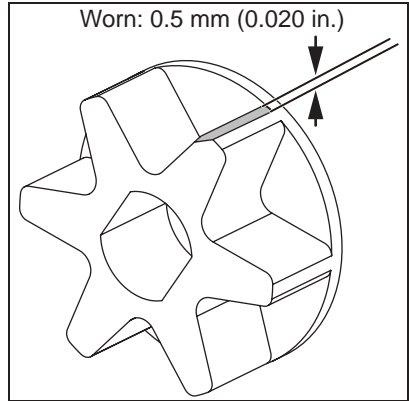
**Guide Bar**

1. Clean before using.
2. Clean the groove (L) of the guide bar with a small screwdriver.
3. Clean oil holes (M) with a wire.
4. Invert guide bar periodically.
5. Clean the guide bar mount area before installing the guide bar.



**Sprocket**

- A damaged sprocket will cause premature damage or wear of saw chain.
- When the sprocket has worn 0.5 mm (0.020 in.) or more, replace it.
- Check sprocket and the clutch and clean the bar mount area before installation of the bar.
- Replace either or both if worn.



**Saw Chain Maintenance**

**⚠ WARNING**

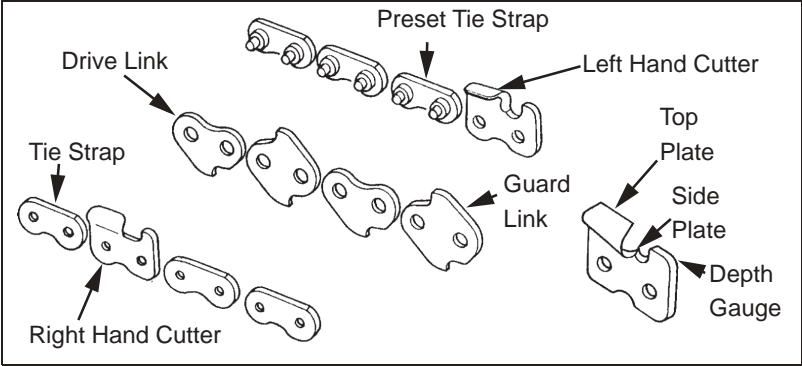
*Remove the battery before sharpening chain. Always wear gloves when working on chain. Otherwise serious personal injury may result.*

**⚠ CAUTION**

*The following factors will increase the risk of kickback:*

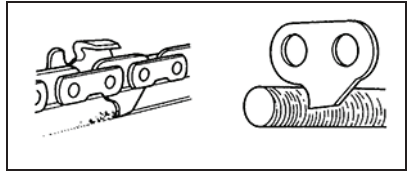
- ◆ Top plate angle too large
- ◆ File diameter too small
- ◆ Depth gauge too large

Note: These angles are referred to as 80TXL. For chains of other brands, follow manufacturers instructions.



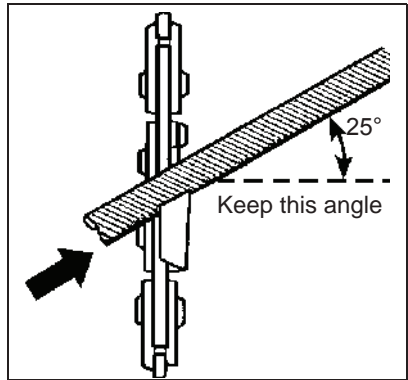
Important points for proper maintenance of saw chain:

- Keep the cutters sharp at all times.
- Keep the left and the right cutters properly aligned.
- Note that blunt or irregular cutters will result in poor cutting performance, increased vibration of chains and premature breakage of the saw chain.
- Drive link serves to remove sawdust from the groove of the guide bar. Keep the lower edge of the drive link sharp where indicated.

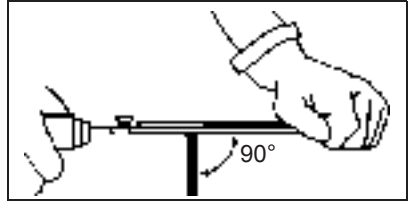


### Setting Saw Chain

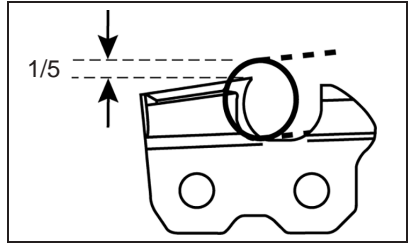
- 80TXL Chain: Use a round 5/32" file and flat file.
- Push file as shown.
- To keep correct position and correct angle, use a file holder.



- Hold the file horizontally.

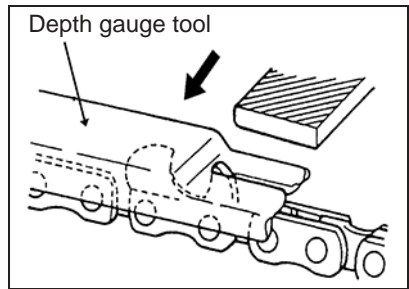


- Place the depth gauge tool firmly on guide bar so that depth gauge protrudes. Then file top of depth gauge with the flat file until flat with top of the depth gauge tool.

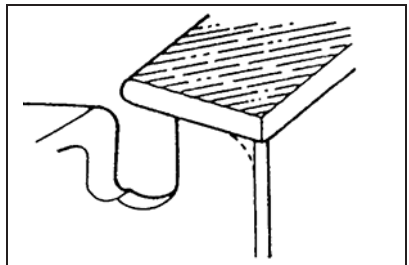


- One fifth of the file diameter remains above cutter edge.

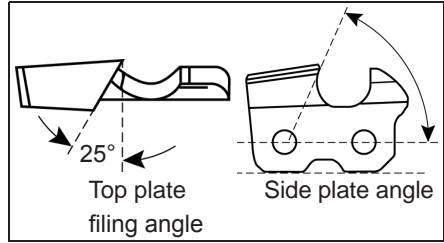
- Be sure to round off the front edge of the depth gauge.



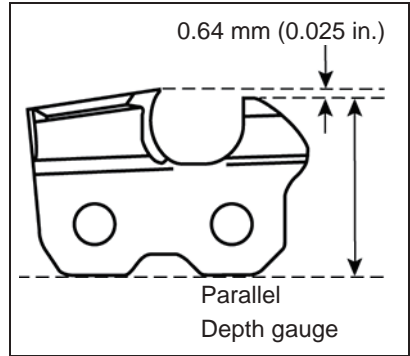
- Properly filed cutters are shown in illustration.



- When setting of the chain is finished, soak it in oil and wash away filings completely before using.



- When chain has been filed on the bar, supply sufficient oil to it, move the chain slowly to wash away the filings before using again.
- If the product is operated with filings clogged in the groove, the saw chain and the guide bar will be damaged prematurely.
- If the saw chain becomes soiled with resin, for instance, clean it with kerosene and soak in it oil.



## NOTICE

*To sharpen other chains, follow chain manufacturer's instructions.*

## TROUBLESHOOTING

Problem	Cause	Solution
The guide bar and the chain become hot and release smoke.	The chain is too tight.	Adjust the chain tension.
	The oil tank is empty.	Add oil.
	Contamination causes a blockage of the discharge port.	Remove the guide bar and clean the discharge port.
	Contamination causes a blockage of the oil tank.	Clean the oil tank. Add new oil.
	Contamination causes a blockage of the guide bar and the oil tank cap.	Clean the guide bar and the oil tank cap.
	Contamination causes a blockage of the sprocket or guide wheels.	Clean the sprocket and the guide wheels.
The motor runs but the chain does not rotate.	The chain is too tight.	Adjust the chain tension.
	The guide bar and the chain are damaged.	Replace the guide bar and the chain if it is necessary.
	The motor is damaged.	<ol style="list-style-type: none"> <li>1. Remove the battery from the machine.</li> <li>2. Remove the guide bar scabbard.</li> <li>3. Remove the bar and saw chain.</li> <li>4. Clean the machine.</li> <li>5. Install battery and operate the machine.</li> </ol> <p>If the sprocket rotates, it means the motor works properly. If not, call an Authorized ECHO Dealer.</p>

The motor runs and the chain rotates, but the chain does not cut.	The chain is dull.	Sharpen or replace the saw chain.
	The chain is in the incorrect direction.	Turn the chain loop to the other direction.
	The chain is tight or loose.	Adjust the chain tension.
The motor does not run.	The machine and battery are not connected correctly.	Make sure that the battery release button clicks when you install the battery.
	The battery level is low.	Charge the battery.
	The trigger switch lockout and the trigger switch are not pushed at the same time.	1. Push the trigger switch lockout and hold it. 2. Push the trigger switch to start the machine.
	The battery is too hot or too cold.	Refer to battery and charger manual.
The motor runs, but the chain does not cut correctly, or the motor stops after around 3 seconds.	The machine is in the protection mode.	Release the trigger switch and start the machine again. Do not force the machine to cut.
	The battery is not charged.	Charge the battery. Refer to the battery and charger manual for correct charging procedures.
	The chain is not lubricated.	Lubricate the chain to decrease the friction. Do not let the guide bar and the chain operate without sufficient oil.
	Incorrect battery storage temperature	Cool the battery until it decreases to the ambient temperature.

---

## STORAGE

---

### Storage After Use

When storing the product for long periods of time, ensure that the following preparations for storage are carried out.

#### Pruning saw

Do not store your unit without performing protective storage maintenance which includes the following:

1. Remove battery from unit.
2. Remove accumulation of dirt and debris from exterior of unit.
3. Tighten all screws and nuts.
4. Install guide bar scabbard.
5. Cover battery compartment of unit.
6. Store unit in a dry, dust-free place, out of the reach of children.

#### Battery

1. Remove battery from unit.
2. Store in a dry, dust-free place, out of the reach of children.
3. Store in temperatures consistent with recommended ambient temperature chart.
4. Charge battery according to ambient temperature chart.

#### Charger

1. Remove battery from charger.
2. Disconnect charger from power supply.
3. Store in a dry, dust-free place, out of the reach of children.

**SPECIFICATIONS**

MODEL	DHS-3006
Guide bar length	6" (152 mm)
Chain pitch	0.325" (8.25 mm)
Chain gauge	0.043" (1.09 mm)
Drive links	30
Oil tank capacity	1.7 oz (50 ml)
Chain speed	25.6 ft/s (7.8 m/s)
Guide bar	06K4HS3230
Saw chain	80TXL30CQ
Weight without battery	2.87 lbs (1.3 kg)
Battery:	
Model	ECHO eFORCE® 56V battery series batteries
Type	Li-Ion
Voltage	56 (rated 50.4) DC
Charger type	CCCV
Charger input voltage	120V AC 60Hz
Charger model	ECHO eFORCE® 56V battery series charger
Charger Lights	
○ OFF    ◐ Green blinking	Battery is charging
○ OFF    ● Green	Fully charged
● Red    ○ OFF	Battery is too warm: (Remove for approx.30 minutes to allow to cool)
◐ Red blinking    ○ OFF	Defective battery: (Remove and replace with new battery if this occurs)
Charge Time	See Battery Operator's Manual

## PRODUCT REGISTRATION

---

### Thank you for choosing ECHO Power Equipment

Please go to <http://www.echo-usa.com/Warranty/Register-Your-ECHO> to register your new product online. It's FAST and EASY! NOTE: your information will never be sold or misused by ECHO, Incorporated.

Registering your purchase enables us to contact you in the unlikely event of a service update or product recall, and verifies your ownership for warranty consideration.

If you do not have access to the Internet, you can complete the form below and mail to:

***ECHO Incorporated, Product Registration, PO Box 1139,  
Lake Zurich, IL 60047.***



PRODUCT REGISTRATION CARD : TARJETA DE REGISTRO : CARTE D'ENREGISTREMENT DU PRODUIT

**ONLINE OPTION:** Register online and save a stamp! You will be alerted of product updates and/or be sent new ECHO product information and special offers. Simply go to: [www.echo-usa.com](http://www.echo-usa.com)

**OPCIÓN POR INTERNET:** Regístrese en la página web y ahorre un sello. Usted será avisado de las actualizaciones de productos ECHO y las ofertas especiales. Simplemente visite: [www.echo-usa.com](http://www.echo-usa.com)

**OPTION EN LIGNE:** Enregistrer en ligne et épargner un timbre! Vous serez informé sur les nouveaux produits ECHO et les offres spéciales. Simplemente visitez: [www.echo-usa.com](http://www.echo-usa.com)

Please Print : Por Favor Enscriba Con Letra De Moldé : En Lettre Carré S.V.P.

Confidential: Information provided will not be shared or sold

Purchaser's Name : Nombre del Comprador : Nom de l'acheteur	
Address : Dirección : Adresse	
City : Ciudad : Ville	State : Estado : Zip Code : Código Postal : Code Postal / Province
E-Mail Address : Dirección De Correo Electrónico : Courrier Electronique	
Phone Number : Número De Teléfono : Téléphone	Date of Purchase : Fecha de la Compra : Date de l'achat
Where Purchased : Nombre del Almacén donde fue Comprado : Lieu d'achat	
Model Number : Número del Modelo : No. de modelo	Serial Number : Número de Serie : No. de série

Registering your purchase enables us to contact you in the unlikely event of a service update or product recall and verifies your ownership in the event of loss. El registrar su compra nos permite estar en contacto con usted en caso de cualquier evento de actualización de servicio o de llamado de atención de un producto. El registro de su compra también verifica su propiedad. L'enregistrement de votre achat nous permettra de vous contacter dans le cas improbable de modifications des instructions d'entretien ou de rappel du produit et vérifier que vous êtes le propriétaire en cas de vol ou de perte.

Primary use of tool:  Professional  Homeowner  Rental Equip.  
 Uso primario de la herramienta:  Profesional  Dueño de casa  Alquiler  
 Usage principal:  Professionnel  Residential  Location  
 Do you wish to receive periodic ECHO product information and special offers by e-mail?  Yes  No  
 ¿Desea usted recibir información periódica y ofertas especiales por correo electrónico sobre el producto ECHO?  Yes  No  
 Souhaitez-vous recevoir périodiquement de l'information sur les produits ECHO et les offres spéciales par courrier électronique?  Oui  Non  
 Did you visit the ECHO website before purchasing your product?  Yes  No  
 Visité usted la página web ECHO antes de comprar su producto?  Si  No  
 Avez-vous visité le site d'ECHO avant de procurer votre produit?  Oui  Non

What factor(s) most influenced your purchase?  
 Performance  Price  Dealer  
 Reliability  Prior Experience  Quality  
 Friend/Family  Brand  Warranty  
 ¿Qué factor(es) influyó más en su compra?  
 Funcionamiento  Precio  Distribuidor  
 Confiablez  Experiencia Anterior  Calidad  
 Amigo/Familia  Marca  Garantía  
 Quel facteur (facteurs) vous a influencé le plus?  
 Performance  Prix  Marchand  
 Fiabilité  Expérience  Qualité  
 Ami/Famille  Marque  Garantie

ECHO INC., 400 Oakwood Rd., Lake Zurich, IL 60047  
 1.800.432.ECHO WWW.ECHO-USA.COM

X7572720206 02-2012



**Limited Warranty Statement for ECHO 56 Volt Handheld Products and Walk Behind Mowers sold in USA and Canada**

ECHO Incorporated warrants to the original retail purchaser that this ECHO brand 56 Volt outdoor product is free from defects in material and workmanship and agrees to repair or replace, at ECHO Incorporated's discretion, any defective product free of charge within these time periods from the date of purchase:

- If the product is for homeowner use:
  - Units and Bare Tool – 5 Years
  - Battery or charger – 2 years
- If the product is for commercial use:
  - Units and Bare Tool – 2 years
  - Battery or charger – 2 years
- If the product is for rental use: 90 days for all units, batteries, and chargers.
- Cutting attachments such as, but not limited to, bars, chains, sprockets, blades, tines, belts, PowerBroom™ and nylon trimmer heads for homeowner or non-income producing use will be covered for failures due to defects in material or workmanship for a period of 60 days from original product purchase date and 30 days for commercial / rental use. Any misuse from contact with concrete, rocks, or other structures is not covered by this warranty.

This warranty extends to the original retail purchaser only and commences on the date of the original retail purchase.

Any part of this product found in the reasonable judgment of ECHO Incorporated, to be defective in material or workmanship will be repaired or replaced without charge for parts and labor by an authorized ECHO dealer. Units, repair parts and accessories replaced under this warranty are warranted only for the balance of the original warranty period.

The product, including any defective part, must be returned to an authorized ECHO dealer within the warranty period. The expense of delivering the product to the service center for warranty work and the expense of returning it back to the owner after repair or replacement will be paid by the owner. ECHO Incorporated's, responsibility in respect to claims is limited to making the required repairs or replacements and no claim of breach of warranty shall be cause for cancellation or rescission of the contract of sale of any ECHO brand 56 Volt outdoor product. Proof of purchase will be required by the dealer to substantiate any warranty claim. All warranty work must be performed by an authorized ECHO dealer.

This warranty does not cover any units, battery or charger that has been subject to misuse, neglect, negligence, or accident, or that has been operated in any way contrary to the operating instructions as specified in the Operator's Manual. This warranty does not cover normal deterioration due to the use or exposure, and any repairs made necessary by normal wear, improper

maintenance, improper lubrication, improper storage, dirt, abrasives, impact, moisture, water, rain, snow, rust, corrosion, varnish, or other similar conditions.

This warranty does not cover damage to chargers or batteries by improper charging voltage and batteries that have been exposed to temperatures beyond those specified in the Operator's Manual, batteries that have not been properly charged or batteries that have reached their useful life.

This warranty does not apply to any damage to the product that is the result of improper maintenance or to any product that has been altered or modified. The warranty does not extend to repairs made necessary by normal wear or by the use of parts or accessories which are either incompatible with the ECHO brand 56 Volt outdoor product or adversely affect its operation, performance, or durability. In addition, this warranty does not cover wear to normal items such as, but not limited to:

Wear items – Bump Knobs, Outer Spools, Cutting Lines, Inner Reels, Felt Washers, Hitch Pins, Mulching Blades, Blower Fans, Blower and Vacuum Tubes, Vacuum Bag and Straps, Guide Bars, Saw Chains, Grass Catch Bag, Hedge Trimmer Blades, and Wheels

ECHO Incorporated, reserves the right to change or improve the design of this product without assuming any obligation to modify any product previously manufactured.

All implied warranties are limited in duration to the stated warranty period. Accordingly, any such implied warranties including merchantability, fitness for a particular purpose, or otherwise, are disclaimed in their entirety after the expiration of the appropriate five-year, two-year, one-year, 90-day, 60-day, or 30-day warranty period. ECHO Incorporated's obligation under this warranty is strictly and exclusively limited to the repair or replacement of defective parts. ECHO Incorporated, does not assume or authorize anyone to assume for them any other obligation. Some states do not allow limitations on how long an implied warranty lasts, so the above limitation may not apply to you. ECHO Incorporated, assumes no responsibility for incidental, consequential, or other damages including, but not limited to, expense of returning the product to an authorized dealer for ECHO brand 56 Volt outdoor products and expense of delivering it back to the owner, mechanic's travel time, telephone charges, rental of a like product during the time warranty service is being performed, travel, loss or damage to personal property, loss of revenue, loss of use of the product, loss of time, or inconvenience. Some states do not allow the exclusion or limitation of incidental or consequential damages, so the above limitation or exclusion may not apply to you.

This warranty gives you specific legal rights, and you may also have other rights which vary from state to state.

This warranty applies to all ECHO brand 56 Volt outdoor products manufactured by or for ECHO Incorporated, and sold in the United States and Canada.

To locate your nearest authorized ECHO dealer, visit [www.ECHO-usa.com](http://www.ECHO-usa.com) or dial 1-800-432-ECHO (3246).

NOTES

---









460HS0000001 - 460HS9999999  
461HS0000001 - 461HS9999999



**ECHO INCORPORATED**

400 Oakwood Road

Lake Zurich, IL 60047

[www.echo-usa.com](http://www.echo-usa.com)