



- GB ENGLISH
- FR FRANÇAIS
- DE DEUTSCH
- IT ITALIANO
- ES ESPAÑOL

# OPERATOR'S MANUAL MANUEL D'UTILISATION BEDIENUNGSANLEITUNG MANUALE PER L'OPERATORE MANUAL DE INSTRUCCIONES DLM-5100SP

## WARNING



READ THE INSTRUCTIONS CAREFULLY AND FOLLOW THE RULES FOR SAFE OPERATION. FAILURE TO DO SO COULD RESULT IN SERIOUS INJURY.

## AVERTISSEMENT



LIRE ATTENTIVEMENT LES INSTRUCTIONS ET SUIVRE LES RÈGLES DE SÉCURITÉ. LE NON-RESPECT DES RÈGLES DE SÉCURITÉ ENTRAÎNE UN RISQUE DE BLESSURE GRAVE.

## WARNUNG



LESEN SIE DIE BEDIENUNGSANLEITUNG SORGFÄLTIG DURCH, UND BEFOLGEN SIE DIE SICHERHEITSREGELN. ANDERNFALLS BESTEHT DAS RISIKO SCHWERER VERLETZUNGEN.

## AVVERTENZA



LEGGERE E SEGUIRE ATTENTAMENTE LE ISTRUZIONI PER LAVORARE IN CONDIZIONI DI MASSIMA SICUREZZA. LA MANCATA OSSERVANZA DELLE ISTRUZIONI POTREBBE PROVOCARE LESIONI GRAVI.

## ADVERTENCIA



LEA ATENTAMENTE LAS INSTRUCCIONES Y SIGA LAS INDICACIONES PARA UN FUNCIONAMIENTO SEGURO. DE NO HACERLO, PODRÍA SUFRIR LESIONES GRAVES.







ENGLISH  
GB (Original instructions)

# OPERATOR'S MANUAL

## LAWN MOWER

### DLM-5100SP



#### WARNING



READ THE INSTRUCTIONS CAREFULLY AND FOLLOW THE RULES FOR SAFE OPERATION.  
FAILURE TO DO SO COULD RESULT IN SERIOUS INJURY.

# Contents

---

Important information.....	3
For safe use of your product.....	4
Description.....	14
Before you start .....	15
Packing list .....	15
Charging the battery .....	15
Assembly .....	17
Adjusting the Cutting Height .....	19
Fitting and removing the battery .....	19
Operation .....	21
Starting the unit .....	21
Stopping the unit.....	22
Turbo mode of the cutting blade .....	23
Headlight mode .....	23
Empty the grass catcher .....	23
Vertical storage.....	24
Error indication.....	24
Trimming operation.....	25
Basic trimming operation with metal blade .....	26
Slope operation .....	26
Maintenance and care .....	27
Servicing guidelines.....	27
Maintenance and care .....	27
Troubleshooting table .....	30
Storage .....	31
Disposal.....	31
Specifications.....	32
Declaration of conformity .....	33
UK Declaration of conformity .....	34

# Important information

---

**Please ensure that you read the operator's manual before using your product.**

## ○ Intended use of this product

- ♦ This product is designed for weed control and grass trimming.
- ♦ Do not use this tool for anything other than its intended purpose.

## ○ Users of the product

- ♦ You should not use this product until you have read the operator's manual carefully and fully understand its content.
- ♦ Never allow children, persons with reduced physical, sensory or mental capabilities or lack of experience and knowledge or people unfamiliar with these instructions to use the machine, local regulations may restrict the age of the operator.
- ♦ Keep in mind that the operator or user is responsible for accidents or hazards occurring to other people or their property.

## ○ About your operator's manual

- ♦ This manual contains necessary information about the operation and maintenance of your product. Please read it carefully and understand its contents.
- ♦ Always keep your manual in a place where it is readily accessible.
- ♦ If you have lost your manual or it is damaged and no longer readable, please purchase a new one from your ECHO DEALER.
- ♦ The units used in this manual are SI units (International System of Units). Figures in parentheses are reference values, and there may be a slight conversion error in some cases.

## ○ Loaning or assigning your product

- ♦ When loaning the product described in this manual to another party, ensure that the person borrowing and working with the product receives the operator's manual along with the product. If you assign your product to another party, please enclose the operator's manual with the product when handing it over.

## ○ Enquiries

- ♦ Please contact your ECHO DEALER for requests regarding information about your product, the purchase of consumables, repairs, and other such enquiries.

## ○ Notices

- ♦ The content of this manual may be changed without notice for the purpose of upgrades to the product. Some of the illustrations used may differ from the product itself in order to make the explanations clearer.
  - ♦ This product requires the assembly of some parts.
  - ♦ Please consult your ECHO DEALER if anything is unclear or of concern.
- 
- ♦ Our goods come with guarantees that cannot be excluded under the Australian Consumer Law. You are entitled to a replacement or refund for a major failure and compensation for any other reasonably foreseeable loss or damage. You are also entitled to have the goods repaired or replaced if the goods fail to be of acceptable quality and the failure does not amount to a major failure.
  - ♦ For warranty service, find the nearest Authorised Service Dealer in our dealer locator map at [www.echo-australia.com.au/en\\_au/finder](http://www.echo-australia.com.au/en_au/finder), or by calling 1300 274 447, or by emailing or writing to [salesenquires@briggsandstratton.com.au](mailto:salesenquires@briggsandstratton.com.au), Briggs & Stratton Australia Pty Ltd, Locked bag 5004, St Clair, NSW 2759.

# For safe use of your product

## Be careful to read this section before using your product.




○ The precautions described in this section contain important safety information. Please observe them carefully.

○ You must also read the precautions that appear in the body of the manual itself.

Text following a [diamond mark] mark describes the potential consequences of failing to observe the precaution.


## Warning notices

Situations where there is a risk of physical injury to the operator and other people are indicated in this manual and on the product itself by the following warning notices. Always read and observe them carefully in order to ensure safe operation.

 <b>DANGER</b>	 <b>WARNING</b>	 <b>CAUTION</b>
This symbol accompanied by the word " <b>DANGER</b> " calls attention to an act or a condition which will lead to serious personal injury or death of operators and bystanders.	This symbol accompanied by the word " <b>WARNING</b> " calls attention to an act or a condition which can lead to serious personal injury or death of operators and bystanders.	" <b>CAUTION</b> " indicates a potentially hazardous situation which, if not avoided, may result in minor or moderate injury.









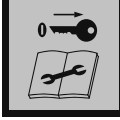

## Other indicators

As well as warning notices, this manual uses the following explanatory symbols:







	Circle and slash symbol means whatever is shown is prohibited.	<b>NOTE</b>	<b>IMPORTANT</b>
		This enclosed message provides tips for use, care and maintenance of the product.	Framed text featuring the word " <b>IMPORTANT</b> " contains important information about the use, checking, maintenance and storage of the product described in this manual.

## Symbols

In this manual and on the product itself, a series of explanatory symbols is used. Please make sure that you fully understand what each symbol means.

Symbol form/shape	Symbol description/application	Symbol form/shape	Symbol description/application
	Carefully read the operator's manual		Remove the battery pack before maintenance and care.
	Warning! Thrown objects!		Keep bystanders away
	keep hands and feet away from rotating parts.		Use extra caution on slopes. do not mow slopes greater than 15 degrees.
	Safety/Alert		Beware of high-temperature areas
	Remove the safety key before maintenance and care.		Guaranteed sound power level

# For safe use of your product

Symbol form/shape	Symbol description/applica- tion	Symbol form/shape	Symbol description/applica- tion
	Never use in the rain or at damp locations		Lithium-ion battery
	Beware of fire		Do not throw electrical appli- ances in garbage
	Protected against vertically falling water droplets		Do not stare into beam and use eye protection during servicing



# For safe use of your product

## Handing the product General Power Tool Safety Warnings

### WARNING

#### **Read all safety warnings, instructions, illustrations and specifications provided with this power tool.**

Failure to follow all instructions listed below may result in electric shock, fire and/or serious injury.

#### **Save all warnings and instructions for future reference.**

The term "power tool" in the warnings refers to your mains-operated (corded) power tool or battery-operated (cordless) power tool.

#### **Work area safety**

- **Keep work area clean and well lit.** Cluttered or dark areas invite accidents.
- **Do not operate power tools in explosive atmospheres, such as in the presence of flammable liquids, gases or dust.** Power tools create sparks which may ignite the dust or fumes.
- **Keep children and bystanders away while operating a power tool.** Distractions can cause you to lose control.

#### **Electrical safety**

- **Power tool plugs must match the outlet. Never modify the plug in any way. Do not use any adapter plugs with earthed (grounded) power tools.** Unmodified plugs and matching outlets will reduce risk of electric shock.
- **Avoid body contact with earthed or grounded surfaces such as pipes, radiators, ranges and refrigerators.** There is an increased risk of electric shock if your body is earthed or grounded.
- **Do not expose power tools to rain or wet conditions.** Water entering a power tool will increase the risk of electric shock.
- **Do not abuse the cord. Never use the cord for carrying, pulling or unplugging the power tool. Keep cord away from heat, oil, sharp edges or moving parts.** Damaged or entangled cords increase the risk of electric shock.
- **When operating a power tool outdoors, use an extension cord suitable for outdoor use.** Use of a cord suitable for outdoor use reduces the risk of electric shock.
- **If operating a power tool in a damp location is unavoidable, use a ground fault circuit interrupter (GFCI) protected supply.** Use of an GFCI reduces the risk of electric shock.

#### **Personal safety**

- **Stay alert, watch what you are doing and use common sense when operating a power tool. Do not use a power tool while you are tired or under the influence of drugs, alcohol or medication.** A moment of inattention while operating power tools may result in serious personal injury.
- **Use personal protective equipment. Always wear eye protection.** Protective equipment such as a dust mask, non-skid safety shoes, hard hat, or hearing protection used for appropriate conditions will reduce personal injuries.
- **Prevent unintentional starting. Ensure the switch is in the off-position before connecting to power source and/or battery pack, picking up or carrying the tool.** Carrying power tools with your finger on the switch or energising power tools that have the switch on invites accidents.
- **Remove any adjusting key or wrench before turning the power tool on.** A wrench or a key left attached to a rotating part of the power tool may result in personal injury.
- **Do not overreach. Keep proper footing and balance at all times.** This enables better control of the power tool in unexpected situations.
- **Dress properly. Do not wear loose clothing or jewellery. Keep your hair and clothing away from moving parts.** Loose clothes, jewellery or long hair can be caught in moving parts.
- **If devices are provided for the connection of dust extraction and collection facilities, ensure these are connected and properly used.** Use of dust collection can reduce dust-related hazards.
- **Do not let familiarity gained from frequent use of tools allow you to become complacent and ignore tool safety principles.** A careless action can cause severe injury within a fraction of a second.

# For safe use of your product

## WARNING

### **Power tool use and care**

- **Do not force the power tool. Use the correct power tool for your application.** The correct power tool will do the job better and safer at the rate for which it was designed.
- **Do not use the power tool if the switch does not turn it on and off.** Any power tool that cannot be controlled with the switch is dangerous and must be repaired.
- **Disconnect the plug from the power source and/or remove the battery pack, if detachable, from the power tool before making any adjustments, changing accessories, or storing power tools.** Such preventive safety measures reduce the risk of starting the power tool accidentally.
- **Store idle power tools out of the reach of children and do not allow persons unfamiliar with the power tool or these instructions to operate the power tool.** Power tools are dangerous in the hands of untrained users.
- **Maintain power tools and accessories. Check for misalignment or binding of moving parts, breakage of parts and any other condition that may affect the power tool's operation. If damaged, have the power tool repaired before use.** Many accidents are caused by poorly maintained power tools.
- **Keep the cutting blade sharp and clean.** Properly maintained the blade with sharp cutting edges are less likely to bind and are easier to control.
- **Use the power tool, accessories and tool bits etc. in accordance with these instructions, taking into account the working conditions and the work to be performed.** Use of the power tool for operations different from those intended could result in a hazardous situation.

### **Battery tool use and care**

- **Recharge only with the charger specified by the manufacturer.** A charger that is suitable for one type of battery pack may create a risk of fire when used with another battery pack.
- **Use power tools only with specifically designated battery packs.** Use of any other battery packs may create a risk of injury and fire.
- **When battery pack is not in use, keep it away from other metal objects, like paper clips, coins, keys, nails, screws or other small metal objects, that can make a connection from one terminal to another.** Shorting the battery terminals together may cause burns or a fire.
- **Under abusive conditions, liquid may be ejected from the battery; avoid contact. If contact accidentally occurs, flush with water. If liquid contacts eyes, additionally seek medical help.** Liquid ejected from the battery may cause irritation or burns.
- **Do not use a battery pack or tool that is damaged or modified.** Damaged or modified batteries may exhibit unpredictable behaviour resulting in fire, explosion or risk of injury.
- **Do not expose a battery pack or tool to fire or excessive temperature.** Exposure to fire or temperature above 130 °C may cause explosion.
- **Follow all charging instructions and do not charge the battery pack or tool outside the temperature range specified in the instructions.** Charging improperly or at temperatures outside the specified range may damage the battery and increase the risk of fire.

### **Service**

- **Have your power tool serviced by a qualified repair person using only identical replacement parts.** This will ensure that the safety of the power tool is maintained.
- **Never service damaged battery packs.** Service of battery packs should only be performed by the manufacturer or authorized service providers.

# For safe use of your product

## Lawnmower Safety Warnings

### WARNING

- **Do not use the lawnmower in bad weather conditions, especially when there is a risk of lightning.** This decreases the risk of being struck by lightning.
- **Thoroughly inspect the area for wildlife where the lawnmower is to be used.** Wildlife may be injured by the lawnmower during operation.
- **Thoroughly inspect the area where the lawnmower is to be used and remove all stones, sticks, wires, bones, and other foreign objects.** Thrown objects can cause personal injury.
- **Before using the lawnmower, always visually inspect to see that the blade and the blade assembly are not worn or damaged.** Worn or damaged parts increase the risk of injury.
- **Check the grass catcher frequently for wear or deterioration.** A worn or damaged grass catcher may increase the risk of personal injury.
- **Keep guards in place. Guards must be in working order and be properly mounted.** A guard that is loose, damaged, or is not functioning correctly may result in personal injury.
- **Keep all cooling air inlets clear of debris.** Blocked air inlets and debris may result in overheating or risk of fire.
- **While operating the lawnmower, always wear non-slip and protective footwear. Do not operate the lawnmower when barefoot or wearing open sandals.** This reduces the chance of injury to the feet from contact with the moving blade.
- **While operating the lawnmower, always wear long trousers.** Exposed skin increases the likelihood of injury from thrown objects.
- **Do not operate the lawnmower in wet grass. Walk, never run.** This reduces the risk of slipping and falling which may result in personal injury.
- **Do not operate the lawnmower on excessively steep slopes.** This reduces the risk of loss of control, slipping and falling which may result in personal injury.
- **When working on slopes, always be sure of your footing, always work across the face of slopes, never up or down and exercise extreme caution when changing direction.** This reduces the risk of loss of control, slipping and falling which may result in personal injury.
- **Use extreme caution when reversing or pulling the lawnmower towards you. Always be aware of your surroundings.** This reduces the risk of tripping during operation.
- **Keep the supply cord away from the cutting blades.** A damaged supply cord may result in electric shock, fire and/or serious injury.
- **Switch off and remove plug from mains if the cord is entangled or damaged.** Entangled or damaged cords can increase the risk of electric shock.
- **Do not touch blades and other hazardous moving parts while they are still in motion.** This reduces the risk of injury from moving parts.
- **When clearing jammed material or cleaning the lawnmower, make sure all power switches are off and the battery pack is disconnected.** Unexpected operation of the lawnmower may result in serious personal injury.

# For safe use of your product

## General precautions

### WARNING

#### Operator's manual

- Be careful to read the operator's manual properly before using your product in order to ensure correct operation.
- ◆ Failure to do so could lead to an accident or serious injury.



#### Do not use the product for anything other than its intended purpose

- You must not use the product for any purpose other than those described in the operator's manual.
- ◆ To do so could lead to an accident or serious injury.

#### Do not modify the product

- You must not modify the product.
- ◆ To do so could lead to an accident or serious injury. Any malfunction resulting from a modification to the product will not be covered by the manufacturer's warranty.

#### Do not use the product unless it has been checked and maintained

- You must not use the product unless it has been checked and maintained. Always ensure that the product is checked and maintained on a regular basis.
- ◆ Failure to do so could lead to an accident or serious injury.
- Never to operate the machine with defective guards or shields, or without safety devices.
- ◆ Failure to do so could lead to an accident or serious injury.

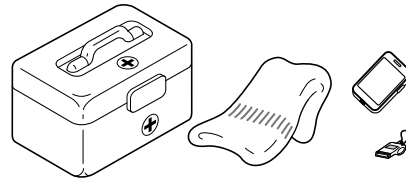
#### Loaning or assigning your product

- When loaning your product to another party, ensure that the person borrowing the product receives the operator's manual along with it.
- If you assign your product to another party, please enclose the operator's manual with the product when handing it over.
- ◆ Failure to do so could lead to an accident or serious injury.

#### Being prepared in case of an injury

In the unlikely event of an accident or injury, please ensure that you are prepared.

- First aid kit
- Towels and wipes (to stop any bleeding)
- Whistle or mobile phone (for calling outside help)
- ◆ If you are unable to perform first aid or call for outside help, the injury could worsen.



# For safe use of your product

## Precautions for use

### **WARNING**

#### Users of the product

The product should not be used by:

- people who are tired
- people who have taken alcohol
- people who are on medication
- people who are pregnant
- people who are in poor physical condition
- people who have not read the operator's manual
- children

◆ Failure to observe these instructions could lead to an accident.

- This product generates electromagnetic fields during operation. Magnetic fields can cause pacemaker interference or pacemaker failure. To reduce health risks, we recommend that pacemaker users consult their physician and the pacemaker manufacturer before operating this product.



#### Environment of use and operation

- Do not use the product

- ◆ in damp or wet locations.
- ◆ in the rain.
- ◆ under poor weather conditions.

◆ To do so could lead to an accident or serious injury.

- Do not use the product in places where there is no sure foothold, such as on steep slopes or after rainfall, as such places are slippery and dangerous.
- Do not mow up and down in gentle slopes, mow in a level, contour-like motion.
- Do not operate the product in places with poor visibility.
- ◆ A serious injury could result if you fall or slip, or fail to operate the product correctly.



#### The area within a 30 m radius is a danger zone

The area within a 30 m radius of the product is a danger zone. Be careful to observe the following precautions while working with the product.

- Do not allow children and other people or pets to enter the danger zone.
- If another person enters the danger zone, turn off the product to stop.
- When approaching the operator, signal to him by, for example, throwing twigs from outside the danger zone, and then check that product has been turn off.
- If more than one person is working with the product, identify the way in which you will signal to each other and work at least 30 m apart.
- ◆ Thrown objects could cause serious injury to the operator or bystanders.

#### Using the product

When using the product, pay special attention to observe the following precautions.

- Do not point the product at people or pets.
- Do not use the product in places where there is no sure foothold.
- Hold the handle tightly.
- Avoid using the product late at night or early in the morning so that the neighbors will not be disturbed by noise.

◆ Failure to observe these instructions could lead to an accident or injury.

#### Turn off the product when moving around

When moving around in the situations described below, turn off the product and move.

- Moving to the place where you are working.
- Moving to another area while you are working.
- Leaving the place where you have been working.
- ◆ Failure to observe these precautions could cause burns or serious injury.
- When transporting the product by car, remove the battery and safety key, and secure it firmly in place to prevent it from moving around.

#### Be careful not to touch cutting blade rotating.

- Be careful not to touch your hand and foot to the cutting blade rotating below the shield deck.
- ◆ Resulting in a serious injury.

#### Be careful not to be in front of the product.

- Be careful not to collide the product and get involved the wheels.
- ◆ Resulting in a serious injury.

#### Vibration and cold

It is believed that a condition called Raynaud's Phenomenon which affects the fingers of certain individuals may be brought about by exposure to vibration and cold. Exposure to vibration and cold may cause tingling and burning, followed by loss of colour and numbness in the fingers.

The following precautions are strongly recommended because the minimum exposure which might trigger the ailment is unknown.

- Keep your body warm, especially the head and neck, feet and ankles, and hands and wrists.
- Maintain good blood circulation by performing vigorous arm exercises during frequent work breaks, and also by not smoking.
- Limit the number of hours of operation.  
Try to fill each day with jobs where operating the mower or other hand-held power equipment is not required.
- If you experience discomfort redness and swelling of the fingers, followed by whitening and loss of feeling, consult your physician before exposing yourself further to cold and vibration.

◆ Failure to observe these instructions could result in damage to your health.

# For safe use of your product

## WARNING

### Repetitive stress injuries

It is believed that over-using the muscles and tendons of the fingers, hands, arms and shoulders may cause soreness, swelling, numbness, weakness and extreme pain to the areas just mentioned. Certain repetitive hand activities may put you at a high risk for developing a repetitive stress injury (RSI).

To reduce the risk of RSI, do the following:

- Avoid using your wrist in a bent, extended or twisted position.
- Take periodic breaks to minimize repetition and rest your hands. Reduce the speed and force in which you do the repetitive movement.
- Do exercises to strengthen hand and arm muscles.
- See a doctor if you feel tingling, numbness or pain in your fingers, hands, wrists or arms. The sooner RSI is diagnosed, the more likely permanent nerve and muscle damage can be prevented.
- ◆ Failure to observe these instructions could result in damage to your health.

### Instructions to disconnect the battery

- Whenever the machine is left by the user.
- Before clearing a blockage.
- Before checking, cleaning or working on the machine.
- After striking a foreign object to inspect the machine for damage.
- If the machine starts to vibrate abnormally, for immediately check.
- ◆ An accident could occur if the product starts unexpectedly.

### Turn off the product immediately if anything goes wrong

- Turn off the product immediately if the product suddenly starts to emit abnormal sounds or vibrate abnormally. The product cannot be used when it suffers from abnormal vibration or sounds.  
Contact your ECHO DEALER for repair.
- ◆ Continuing to use parts when they are damaged could lead to an accident or serious injury.

### Turn off the product when checking or maintaining the product

Observe the following precautions when checking and maintaining your product after use:

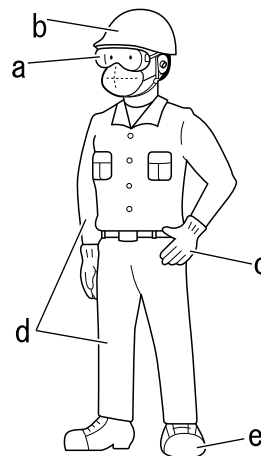
- Turn off the product, remove battery, and make sure all moving parts have come to a complete stop.
- ◆ An accident could occur if the product starts unexpectedly.
- Allow product to cool before performing service.
- ◆ You could burn yourself.

## Protective gear

### WARNING

#### Wear protective gear

- **Wear appropriate work clothes and protective gear when working with the tool. Above all, make sure to wear safety goggles and dust mask at all times while working.**
- ◆ Without the protective gear, the debris or dust blown away could get in or hit you, especially in your eyes, which could lead to an accident or injury.
- a Safety goggles:** Protect the eyes
- b Head protection (helmet):** Protects the head
- c Safety gloves:** Protect the hands from cold and vibration
- d Trim fitting clothes (long sleeves, long trousers):** Protect the body
- e Sturdy shoes or boots :** Protect the feet
- ◆ Failure to observe these precautions could result in damage to your sight or hearing, or lead to a serious injury.



#### **When necessary, please use the protective gear below.**

- **Dust mask:** Breathing protection
- **Ear muffs or ear plugs:** Hearing protection
- **Bee net:** Insect protection

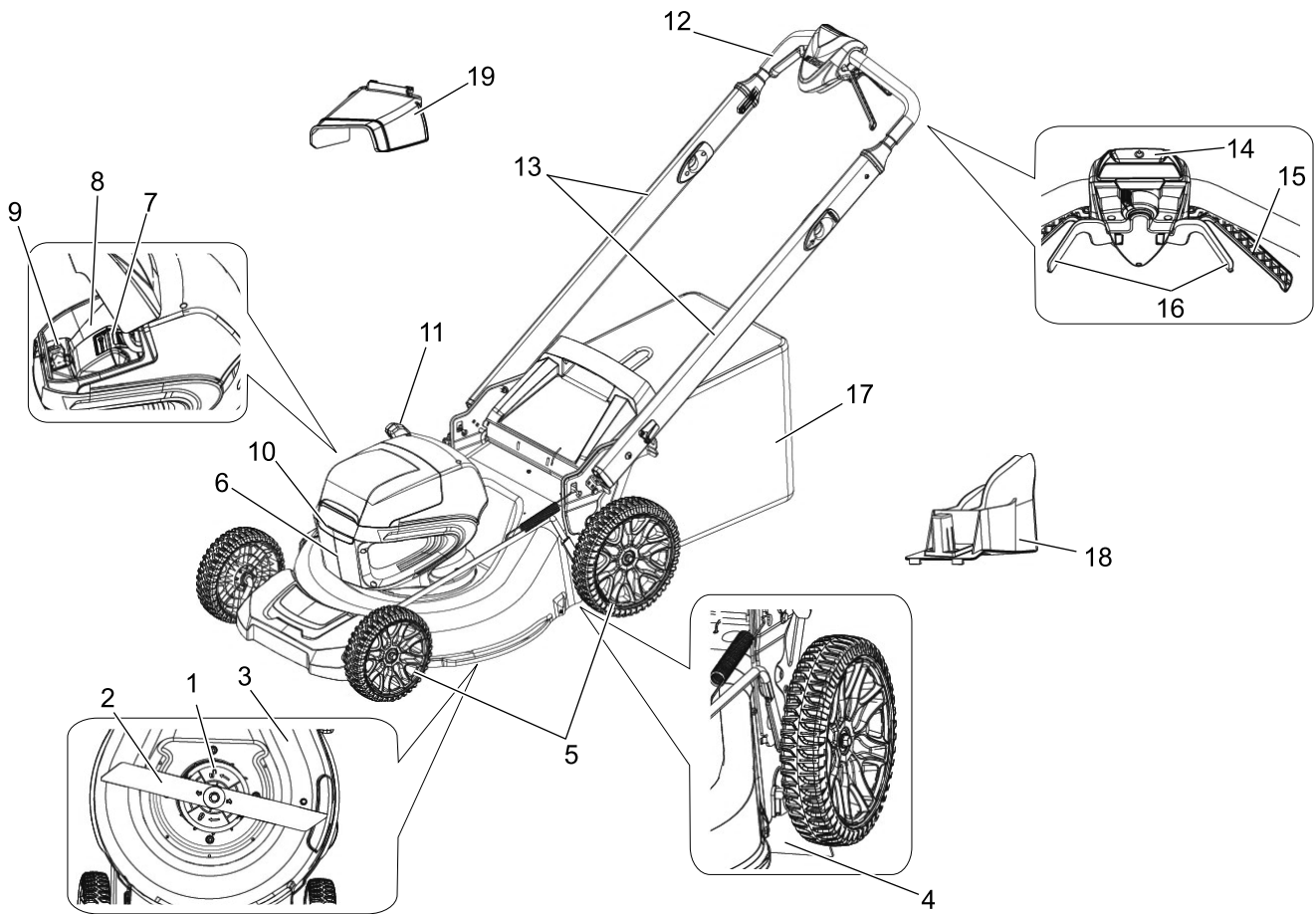
#### Wear proper clothing

**Do not wear ties, jewellery, or loose, dangling clothing which could be caught in the product. Do not wear open toed footwear, or go bare foot or barelegged.**

- ◆ Failure to observe these precautions could result in an accident or lead to a serious injury.



# Description

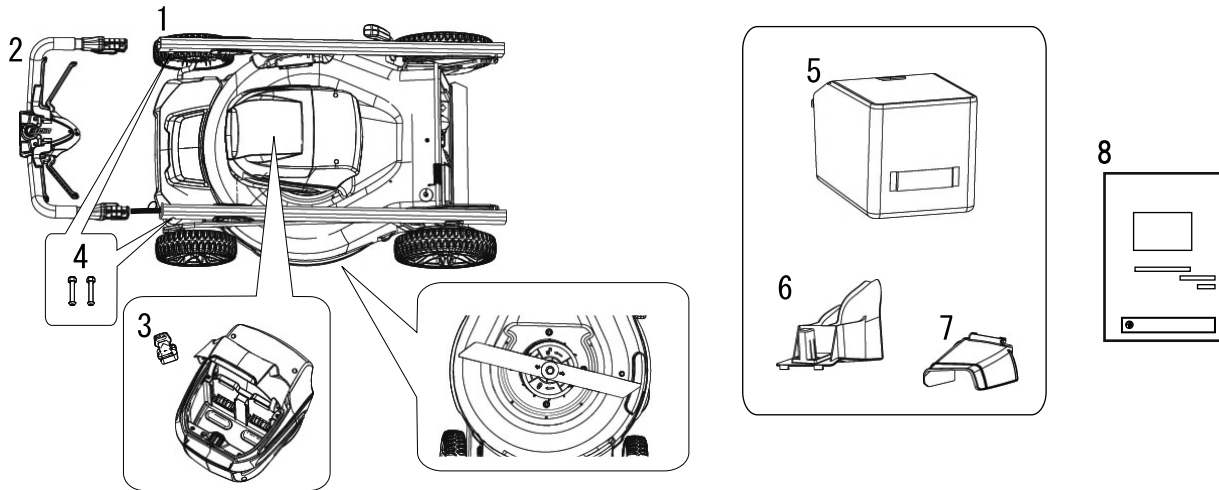


1. **Output head** Fixed a output shaft of a motor and having a fan to cool the unit.
2. **Cutting blade** Metal blade fixed to output head (1), for cutting grass and weed.
3. **Shield deck** Part to protect the operator or other people from accidental contact with the output head and thrown objects.
4. **Rear shield** Part to protect the operator from accidental contact with the output head and thrown objects.
5. **Wheel** Part to allow the unit move or self-propel it.
6. **Battery housing** Part supplying electricity to rotate cutting blade and wheels.
7. **Battery pack** rechargeable batteries.
8. **Battery compartment** Space put batteries.
9. **Safety key** Connecting or disconnecting electrically between the battery and unit.
10. **LED headlights** Clear view of the surroundings.
11. **Height adjustment lever** Changing the mowing height.
12. **Upper handle** Control the unit using the handle, button, and switch.
13. **Lower handle** Connecting upper handle (10) to cutting blade (1) and wheel (4).
14. **Power button** With other switches, activating cutting blade (2) and wheels (4).
15. **Trigger switch** Activating cutting blade (2).
16. **Drive switch** Activating wheels (4).
17. **Grass catcher** Collecting grass when rear bagging function.
18. **Mulch plug** Blocking the passage of grass to rear when mulching and side discharging function.
19. **Side discharge chute** Making the passage to side when side discharging function.

# Before you start

## Packing list

- ♦ The following parts are packed separately in the packing box.
- ♦ When you have unpacked the box, please check the parts that it contains.
- ♦ Contact your dealer if anything is missing or broken.



- |                                |                         |
|--------------------------------|-------------------------|
| 1. Body unit and cutting blade | 5. Grass catcher        |
| 2. Upper handle                | 6. Mulch plug           |
| 3. Safety key                  | 7. Side discharge chute |
| 4. Nut and Bolt                | 8. Operator's manual    |

## Charging the battery

### **WARNING**

- Only use designated battery and charge with designated charger. Refer to the section "Specifications".
- Keep charger and battery away from damp conditions and all liquids.
- Do not operate the charger on an easily combustible surface (e.g. paper, textiles) or in an environment with a high risk of fire.
- Do not cover the charger. Covering the charger will prevent it from cooling.
- Do not operate the charger in explosive atmospheres, such as in the presence of flammable liquids, gases or dust. Chargers can produce sparks which may ignite the dust or fumes - there is a risk of explosion.
- Connect the charger only to the mains of voltage and frequency specified on the rating plate.
- Connect the charger only to an easily accessible wall outlet.
- Never insert objects in the battery pack's or charger's cooling slots (A).
- Do not charge or use a defective, damaged or deformed battery pack and charger.
- Do not open, damage or drop the battery pack or the charger.
- Fluid may leak from the battery if it is damaged or not used properly; avoid contact with the skin. In the event of accidental contact, wash the affected areas of the skin with plenty of water and soap. If fluid gets in the eyes, do not rub. Rinse the eyes with plenty of water for at least 15 minutes. Also seek medical assistance.
- Never bridge (short circuit) the battery pack contacts or the charger's terminals with metallic objects.
- Protect from direct sunlight, heat and open flames and never throw battery into fire; there is a risk of explosion.
- In the event of smoke or fire in the charger, disconnect it from the wall outlet immediately.
- If the connecting cord is damaged, immediately disconnect the plug from the power supply to avoid the risk of electric shock.
- Do not expose battery pack to microwaves or high pressure.
- Secure the unit against unintentional startup. Remove the battery pack from the unit before transporting or storing the unit. Do not use metal containers for transporting batteries.
- Do not use the connecting cord for any other purpose, e.g. for carrying or hanging up the charger.
- To reduce the risk of stumbling, position and mark the connecting cord in such a way that it cannot be damaged or endanger others.
- To unplug, grasp the plug, not the cord.

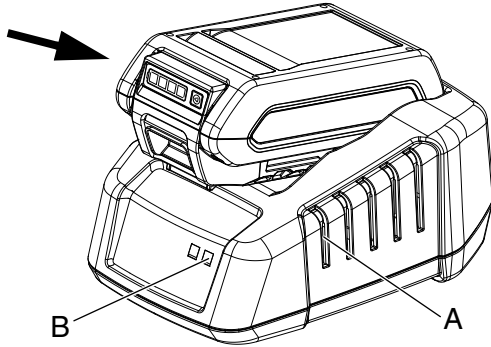
# Before you start

## NOTE

- The battery comes partially charged from the factory and needs to be fully charged before first use.
- Charge the battery when it no longer produces sufficient power to operate the unit or when battery lights indicate that the battery is low.

## IMPORTANT

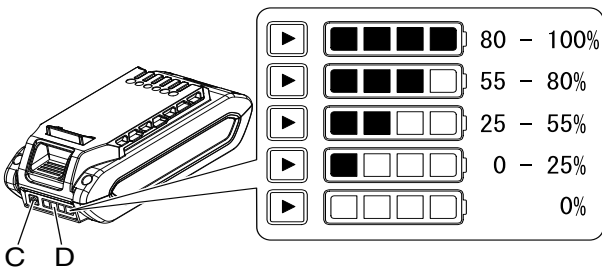
- Use the battery charger in temperatures between 5°C(41°F) and 40°C(104°F).



1. Plug charger AC cord in the wall outlet.
2. Align ridges on battery with grooves on charger, and slide battery into charger.
3. During normal charging, the charger LED (B) will blink continuously GREEN.

## IMPORTANT

- If charger detects a problem, LED blinks RED. Remove battery from charger, clear obstructions from contacts and reinstall battery into charger. If battery is outside acceptable temperature range (0°C to 60°C) LED remains RED.



4. When charging is complete, LED will remain GREEN.
5. Verify battery is fully charged by removing battery from charger, then pressing battery charge status button (C), and checking LED display (D).
6. Disconnect battery charger from power supply.

## Assembly

### WARNING

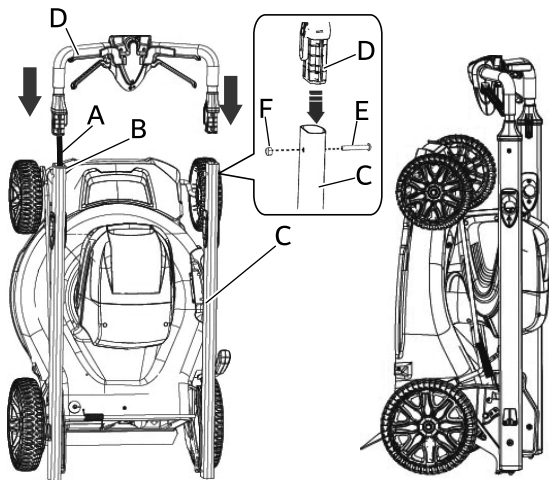
- Read the operator's manual carefully to ensure that you assemble the product correctly. Using a product that has been incorrectly assembled could lead to an accident or serious injury.



## Upper handle assembly

### IMPORTANT

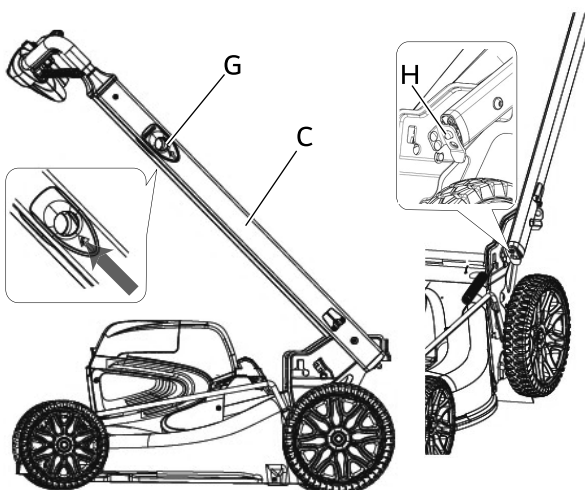
- Do not damage the cable while installing the upper handle.



1. Place the unit upright in vertical position.
2. Remove the packing material from cable (A).
3. Remove rubber edge guard (B) from lower handle (C).
4. Insert upper handle (D) into lower handle (C).
5. Put bolts (E) through holes and tighten with nuts (F), using a screwdriver (not included).

### IMPORTANT

- Make sure that the two handle pins are in the same position when unfolded the lower handle.



6. Lay the unit horizontally.
7. Pull up on handle holes (G) to release lower handle (C).
8. Unfold lower handle (C) up until handle pins (H) lock into fixed positions.

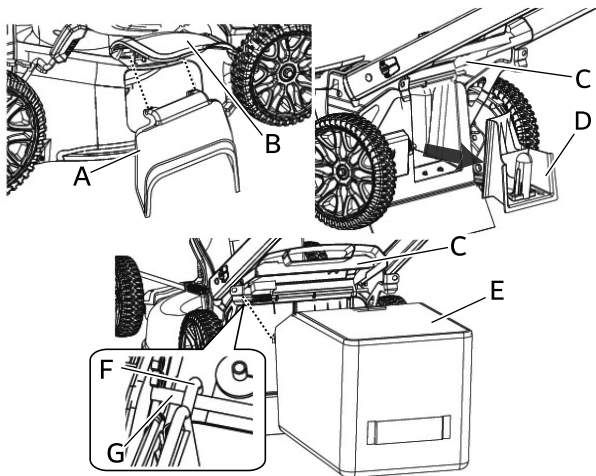
# Before you start

## Three functions assembly

### IMPORTANT

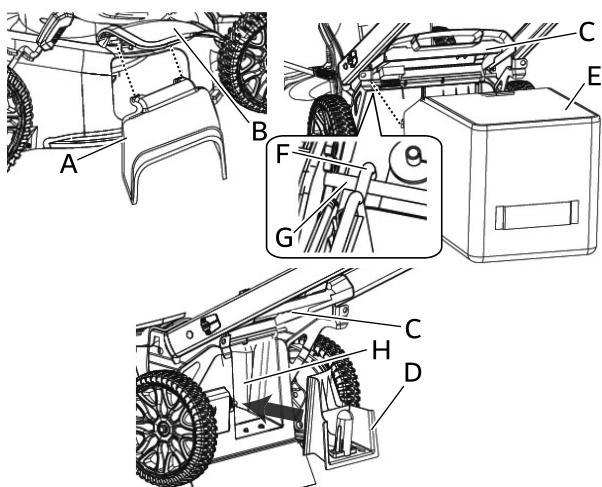
○ In general, a lawn mower is featured with three functions (Rear Bagging/ Mulching/ Side Discharging). These functions can be converted by changing accessory setting.

#### Rear Bagging



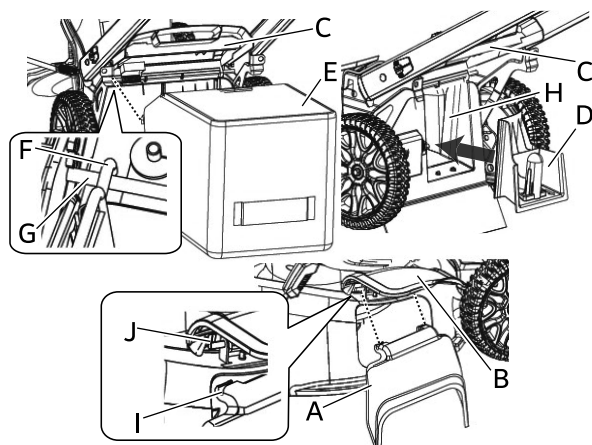
1. Remove the battery pack and safety key.
2. Remove side discharge chute (A).
3. Close side discharge door (B).
4. Open rear discharge door (C) and remove mulch plug (D).
5. Open rear discharge door (C), and engage hooks (F) on door rod (G) to install grass catcher.
6. Put down rear discharge door (C).

#### Mulching



1. Remove the battery pack and safety key.
2. Remove side discharge chute (A).
3. Close side discharge door (B).
4. Disengage hooks (F) on door rod (G) and Remove grass catcher (E).
5. Open rear discharge door (C), and fix it in rear discharge chute (H) to install mulch plug (D).
6. Put down rear discharge door (C).

#### Side Discharging



### ⚠ WARNING

- When you use the side discharge chute,
- do not install the grass catcher.
  - Keep the mulch plug installed.

1. Remove the battery pack and safety key.
2. Disengage hooks (F) on door rod (G) and remove grass catcher (E).
3. Install mulch plug (D) and fix it in rear discharge chute (H).
4. Close the rear discharge door (C).
5. Open the side discharge door (B), and Line up the recesses (I) of the side discharge chute (A) below the pivot (J).
6. Put down the side discharge door (B).

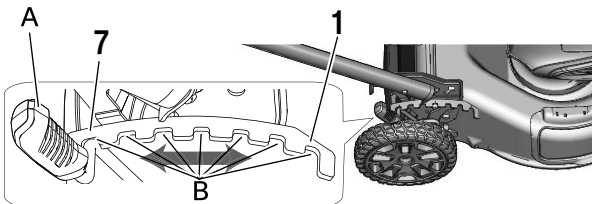
## Adjusting the Cutting Height

### WARNING

- Never attempt to make the cutting height adjustment while the cutting blade or wheel is running.

### NOTE

- The unit can be set to different cutting heights to suit work.



1. Set height adjustment lever (A) in one of recesses (B) to change the cutting height, rearward to increase (7←) or forward to decrease (→1).

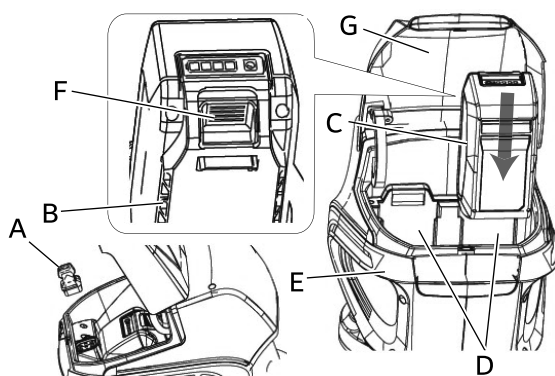
## Fitting and removing the battery

### WARNING

- The unit will operate when the battery is fitted and the power button, and the trigger or drive switch. Make sure the unit is properly positioned to prevent loss of control and possible serious injury. Keep the unit away from objects that could become entangled, thrown, or collided.
- Do not depress the trigger or drive switch when fitting the battery.
- Do not put hands or feet near rotating parts or under the shield deck.
- Remove the battery when leave the unit.

### NOTE

- The unit has an automatic switch function for two battery packs that lets another battery pack work when the first cannot operate.
- The battery pack comes partially charged from the factory and needs to be fully charged before first use.
  - ◆ See separate Operator's Manual Packaged with the battery pack.

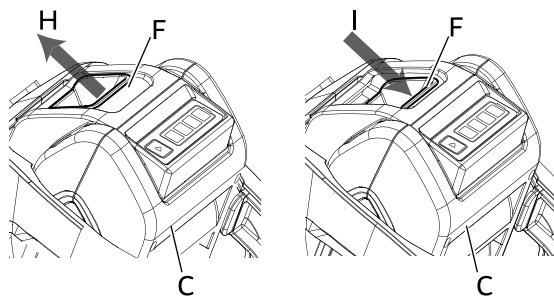


- A. Safety key
- B. Ridge
- C. Battery pack
- D. Groove
- E. Battery housing
- F. Battery pack latch
- G. Battery door

### Fitting the battery

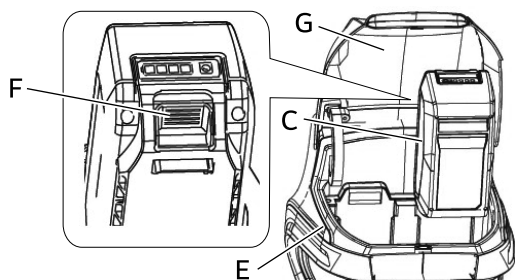
1. Release the trigger and drive switches.
2. Make sure that the blade and wheels stop.
3. Open battery door (G) and remove safety key (A).
4. Align ridges (B) on battery pack (C) with grooves (D) in battery housing (E), and insert the battery until battery pack latch (F) gets in the complete position.
5. Insert safety key (A)
6. Close battery door (G).

# Before you start



H. Complete position  
I. Uncompleted position

F. Battery pack latch  
C. Battery pack



G. Battery door  
F. Battery pack latch

E. Battery housing

## IMPORTANT

- Before using the unit, make sure that battery is set correctly with battery pack latch in the complete position.

## NOTE

- ◆ Battery pack latch (F) is in the complete position when the latch is correctly engaged.

### Removing the battery

1. Make sure that the blade and wheels stop.
2. Open battery door (G).
3. Remove the safety key.
4. To remove the battery, depress battery pack latch (F), and slide the battery out of battery housing (E).
5. Close battery door (G).

## DANGER

- All over head electrical conductors and communications wires can have electricity flow with high voltages. This unit is not insulated against electrical current. Never touch wires directly or indirectly, otherwise serious injury or death may result.

## WARNING

- Do not operate the unit in explosive atmospheres, such as in presence of flammable liquids, gases or dust. The unit creates sparks which may ignite the dust or fumes.

Be particularly careful to observe the following precautions when starting the unit:

- Check that none of the nuts and bolts are loose.
- The attached socket wrench or other locking tool did not leave attached to a rotating part of the unit.
- Leave plenty of space around the unit and do not allow people or animals near it.  
Failure to observe the precautions could cause an accident or injury, or even lead to a fatality.

- Check that there are no abnormal vibrations or sounds once the unit starts. Do not use the unit if there are abnormal vibrations or sounds. Contact your dealer to have it repaired.

Accidents involving parts that fall or shatter off can cause wounds or serious injury.

- Always switch off the unit and remove the battery when transporting the unit.

- Do not touch angle transmission and other high temperature components while the unit is running or for some time after it stops.

You could burn yourself if you touch a high temperature component.

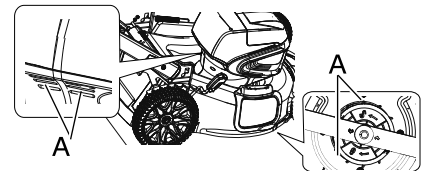


- Never operate overreach the unit and to keep the balance at all times, to always be sure of the footing on slopes and to walk, never run.

- Never to operate the unit with defective shields, without safety key, or if the cord is damaged or worn.

## IMPORTANT

- Always ventilation slots (A) keep clean.



## Starting the unit

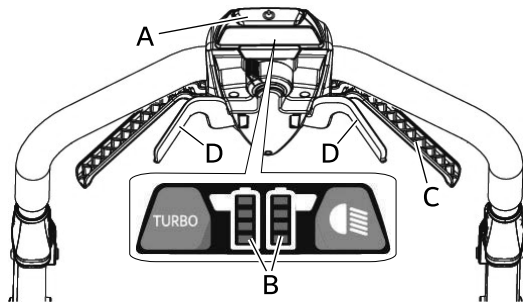
## WARNING

- After the battery is installed, and when the power button, and the trigger switch or the drive switch is engaged, the cutting blade and wheels will rotate. Make sure the unit is properly positioned to prevent loss of control and possible serious injury.

## IMPORTANT

- Use the unit and battery in temperatures between 0°C (32°F) and 40 °C (104 °F).
- Before installing the battery pack and safety key, examine the shield deck to make sure that no grass catches on the blade and the blade can turn freely and horizontally by hand with the heavy duty glove.

# Operation



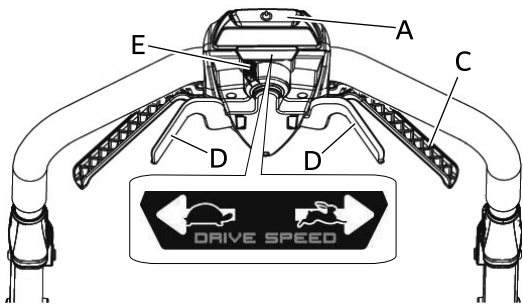
1. Make sure the safety key is inserted into the slot of the battery compartment.
2. Push down power button (A), depress trigger switch (C), or drive switch (D).
  - \* Power indicator LED (B) illuminates, along charged amount. Check the charged amount.
3. Release the power button (A), trigger switch (C), and drive switch (D). After while, the power indicator LED (B) is automatically turned off.
4. Keep power button (A) push down and depress trigger switch (C). The cutting blade start rotating to operating speed.
5. Release power button (A). The cutting blade keeps to rotate at the operating speed.
  - \* If releasing trigger switch (C), the cutting blade is turned off.

## Push mode.

- (1) push the unit. it can be moved.

## Self-propelling mode.

- (1) Set drive speed dial (E) for the drive speed.
  - \* In the direction of the Rabbit Symbol to increase, and in the direction of the Turtle Symbol to decrease the drive speed.
- (2) Depress drive switch (D). The wheels start rotating to go forward for the unit. it increases to the setting speed.
  - \* If releasing drive switch (D), the wheels is turned off. the unit stops.
  - \* After releasing trigger switch (C), when keeping power button (A) push down and depressing drive switch (D), the wheels start rotating.
  - \* On the unit go forward, the drive speed can be adjusted by drive speed dial (E).



## IMPORTANT

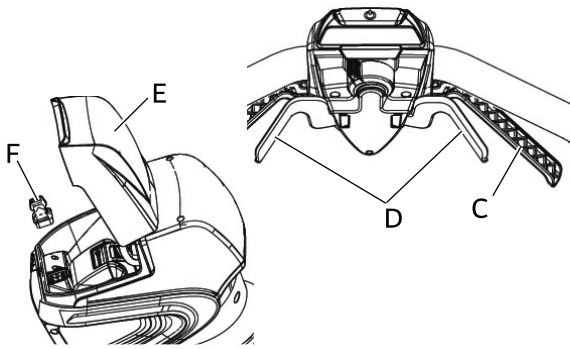
- Never pull the unit back toward you while it is on the self-propelling mode. If you must back the mower away from a wall or obstruction, first look down and behind you to avoid tripping, and then follow these steps:
  - (1) Release trigger and drive switch.
  - (2) Step back from the mower in order to fully extend your arms.
  - (3) Be sure that you are well balanced.
  - (4) Pull the unit back slowly.
- \* Before and while moving backwards with the unit, look behind and down for small children and other people.
- If the unit strikes a foreign object, follow these steps:
  - (1) Release trigger and drive switch.
  - (2) Remove the safety key and batteries.
  - (3) Inspect for damage.
  - (4) Repair any damaged parts before restarting and operating the unit.



## Stopping the unit

## ⚠ WARNING

- The cutting blade and wheels continue to rotate for a short period after the unit is switched off.
- If the blade or wheels does not stop when the trigger switch and drive switch are released, open battery door, and pull off safety key and remove the battery, to stop the power supply to the unit. Have your authorized servicing dealer repair before using the unit again.

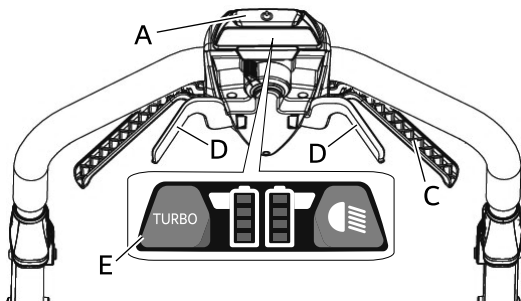


1. Release trigger switch (C) and drive switch (D), allowing the cutting blade and wheels to turn off, to stop them.
  - \* If trigger switch (C) is kept to depress and drive switch (D) is released, the cutting blade is kept to rotate, and then, if drive switch (D) is depressed, the wheels start rotating for the unit to go forward again.
  - \* If drive switch (D) is kept to depress and trigger switch (C) is released, the wheels are kept to rotate for the unit to go forward, and then, if trigger switch (C) is depressed, the cutting blade rotate again.
  - \* At the end of the work, open battery door (E), and remove safety key (F) and the battery.

## Turbo mode of the cutting blade

### NOTE

The cutting blade can be speeded up in the blade turbo mode.

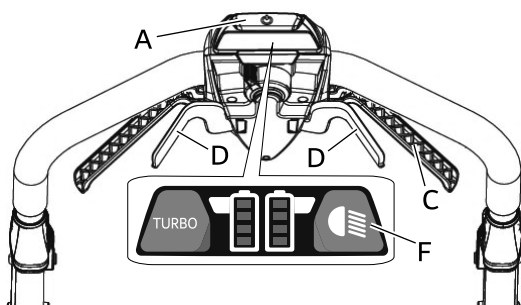


1. When engaging either of power button (A), trigger switch (C), and drive switch (D), press turbo button (E), the blade turbo mode is set and turbo button (E) illuminates.
  - \* While the cutting blade and wheels are also turned on, the turbo mode can be set.
  - \* After once turning on the blade or wheels, only press turbo button (E), the blade turbo mode can be set.
2. Press turbo button (E) again, the turbo mode is reset, the light turns off.

## Headlight mode

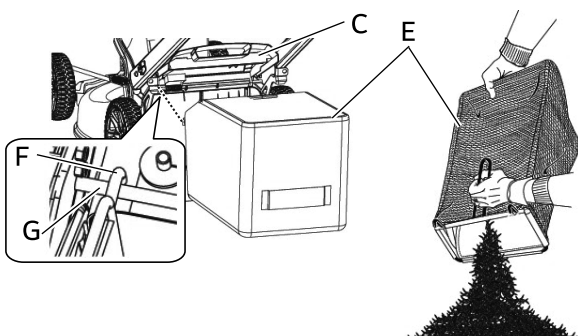
### WARNING

○ The unit has the LED headlight. Do not stare into beam and use eye protection during servicing.



1. When engaging either of power button (A), trigger switch (B), and drive switch (D), press LED light button (F), the headlight mode is set. When the blade or wheel is turned on, the LED headlights start illuminating.
  - \* While the unit is also operated, the headlight mode can be set.
  - \* After once turning the blade or wheels on, only press LED light button (F), the headlights mode can be set.
2. Press LED light button (F) again, the headlight mode is reset.
3. Only press LED light button (F) again, the headlights mode is set.

## Empty the grass catcher



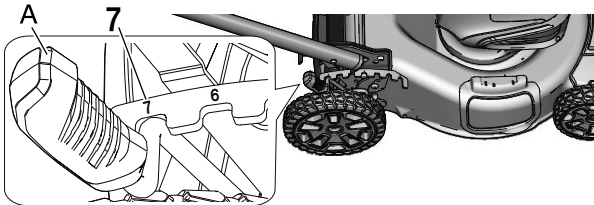
1. Remove the safety key and the battery packs.
2. Open rear discharge door (C) and disengage hooks (F) from door rod (G) to remove grass catcher (E).
3. Close the rear discharge door (C).
4. Empty grass catcher (E).

# Operation

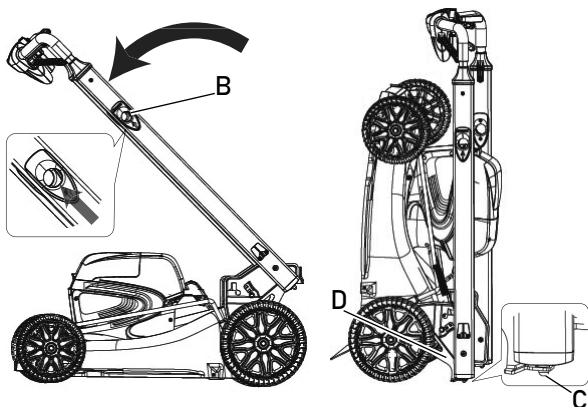
## Vertical storage

### IMPORTANT

- The unit can be the vertical storage.
- When the vertical storage, place it on a flat floor to prevent it from tipping over.
- Do not store your unit without performing protective storage maintenance.



1. Remove the safety key and battery pack.
2. Remove the grass catcher.
3. Set height adjustment lever (A) in position 7.



4. Pull through handle holes (B) to release the handles.
5. Fold the handles until handle pins (C) lock into fixed position.
6. Stand the unit on end and make sure that brackets (D) touch the floor.

## Error indication

### IMPORTANT

- The number of beeps can inform the remedies of troubles.

The number of beeps	Sympton	Remedy
1	The unit will not start.	Contact authorized dealer.
2	The unit stops running.	Allow the unit to cool. If problem persists, contact authorized dealer.
3	The unit will not start.	Check the battery pack and terminals for corrosion or debris. If problem persists, contact authorized dealer.
4	The unit will start then stop, or will not start.	Start the unit, at first not making a full cut, then proceed to cut normally. If problem persists, contact authorized dealer.
5	The unit will not start.	Fully charge the battery pack and try again. If problem persists, contact authorized dealer.
6	The unit stops running	Allow battery to cool. If problem persists, contact authorized dealer.
7	The unit will start then stop, or will not start.	Move the unit to level ground and try again. If problem persists, contact authorized dealer.
8	The blade will not turn.	Remove batteries and safety key, remove obstruction, try again.
9	The unit will not reach full speed.	Start the unit, at first not making a full cut, then proceed to cut normally. If problem persists, contact authorized dealer.

- ◆ Consult your dealer in the event of a problem that is not covered in the table above, or other such concerns.
- ◆ Please contact your dealer in order to dispose of the product or its parts in compliance with national laws.

# Trimming operation

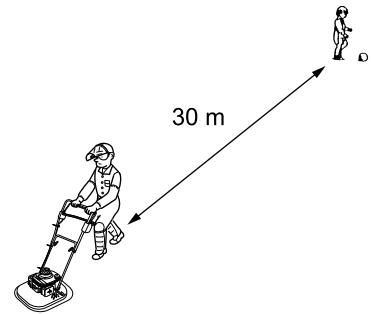
## DANGER

○ Always stop the unit and remove the safety key and the battery when a cutting blade and wheels jam occurs. Severe injury can occur if a jam is removed and the blade and wheels suddenly starts.

○ The area within a 30 m radius of the unit is a danger zone. Be careful to observe the following precautions while working with the unit.

- ◆ Do not allow children and other people or pets to enter the danger zone.
- ◆ If another person enters the danger zone, turn off the blade and wheels to stop them rotating.
- ◆ When approaching the operator, signal to him by, for example, throwing twigs from outside the danger zone, and then check that the blade and wheels have been switched off and they have stopped turning.
- ◆ If more than one person is working with the unit, identify the way in which you will signal to each other and work at least 30 m apart.

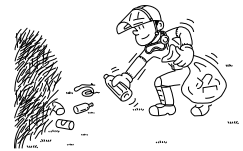
Any objects that ricochet off the unit including the cutting blade and the wheels, and any contact with the unit including them, could cause blindness or a fatal accident.



## WARNING

○ Before starting work, check the area where you will be working and remove any small stones and empty cans likely to ricochet off the unit including the blade and wheels, as well as any pieces of string or wire that might become twisted around the unit including them, and Plan your mowing pattern to avoid discharge of material toward roads, sidewalks, bystanders and the like.

An accident or serious injury can occur if foreign objects ricochet off the unit or wire and other materials twisted round the unit spring off it.



○ In the following situations, turn off the unit immediately, ensure that the cutting blade and wheels have stopped, and remove safety key and batteries, before checking each area of the unit. Replace any damaged parts.

- ◆ If the unit including the cutting blade hits a rock, tree, post, or other such obstruction while you work.
- ◆ If the unit suddenly starts to vibrate abnormally.

Continuing to use parts when they are damaged could lead to an accident or serious injury.

○ Do not operate the unit on steep slopes greater than 15 degrees.

Slopes are a major factor related to slip-and-fall accidents, which can result in severe injury. Operation on slopes requires extra caution. If you feel uneasy on a slope, do not mow it.

### Transport of the unit

○ When transporting in the situations described below, turn off the cutting blade and ensure that the blade has stopped rotating.

- ◆ Moving to the place where you are working.
- ◆ Moving to another area while you are working.
- ◆ Leaving the place where you have been working.

○ When transporting the unit by car, remove the battery pack from the unit, and secure the unit firmly in place to prevent it from moving around.

Failure to observe these precautions could cause burns or serious injury.

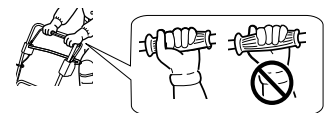
○ Don't overreach, keep proper footing and balance at all times.

○ If you feel you are losing your footing, release the control handle immediately and the blade and wheels will stop rotating within three seconds.

○ Ensure that you hook your thumbs around the grips, wrapping them in your thumb and remaining fingers.

○ Keep handles and grasping surfaces dry, clean and free from oil and grease.

Slippery handles and grasping surfaces do not allow for handling and control of the unit in unexpected situations.

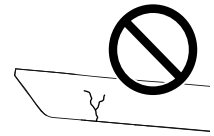


# Trimming operation

## Basic trimming operation with metal blade

### WARNING

- Please observe the following instructions when mowing.
  - ◆ Check to ensure that the cutting blade and wheels have been tightened securely in place.
  - ◆ Replace the shield guard, grass catcher, mulch plug, and side discharge chute, if they are damaged or cracked.
  - ◆ Replace the cutting blade and wheel nuts when they become worn.
  - ◆ Do not cut into the ground with the blade.
  - ◆ Do not operate with a dull, bent, fractured or discoloured blade, and worn or damaged the wheel and nut.

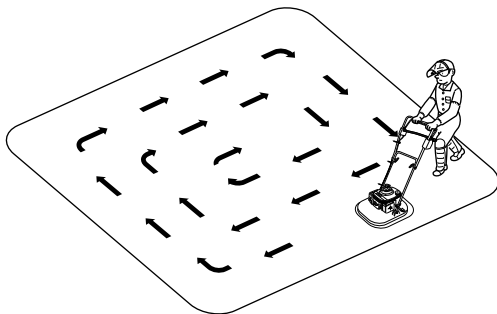


Failure to do so could lead to an accident or serious injury.

- Use only cutting blade and wheels recommended by YAMABIKO Corporation. YAMABIKO Corporation will not be responsible for the failure of cutting devices, attachments or accessories which have not been tested and approved by YAMABIKO Corporation for use with this unit.
- The type of blade and used must be matched to the type and size of material cut. An improper or dull blade can cause serious personal injury. Blades must be sharp. Dull blades increase the chance of kick-out and injury to yourself and bystanders.

Damaged or shattered blades can cause accidents and serious injury.
- When cutting brush or saplings that are under tension, be alert for spring back. When the tension in the wood fibres is released, the brush or sapling may strike the operator and/or throw the machine out of control.
- Use extreme caution when cutting brush and the slender material may catch the blade and be whipped toward you or pull you off balance.

Failure to do so could cause an injury or fatal accident.



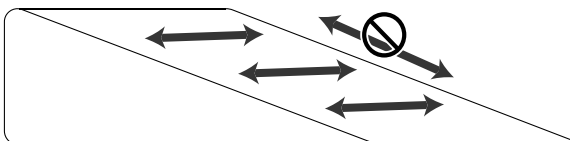
- ◆ For large, flat areas, mow clockwise from the perimeter inwards.
- ◆ Be careful as the wet grass is slippery.
- ◆ Hold the handle of the unit with both hands while working, and work so the shield guard is always parallel to the ground.
- ◆ For tough and tall grass, set the cutting blade high, and then cut low after cutting high.
- ◆ Wet grass is easy to stick to, so clean it occasionally. When cleaning, wear gloves, always remove the safety key and battery, and make sure the blade completely stops.

## Slope operation

### WARNING

- Do not operate the unit on steep slopes greater than 15 degrees.
- Watch for holes, roots, rocks, hidden objects, or bumps which can cause you to slip or trip. Tall grass can hide obstacles. Remove all obstacles such as rocks and tree limbs.
- Make sure that your footing is stable. If you are out of balance, release the switch immediately.
- Keep a low self-propelled speed.
- Exercise extreme caution when changing direction.
- Never mow up and down.
- Never mow near drop-off, ditches, or embankments. Never mow on wet grass.

Slopes are a major factor related to slip-and-fall accidents, which can result in severe injury. Operation on slopes requires extra caution. If you feel uneasy on a slope, do not mow it.



- ◆ always work across the face of slopes, never up or down.

# Maintenance and care

## **⚠ WARNING**

Observe the following precautions when checking and maintaining your product after use:

- Turn power to unit off, remove battery, and make sure all moving parts have come to a complete stop.

An accident could occur if the product starts unexpectedly.

- Allow unit to cool before performing service.

You could burn yourself.

- Never service damaged battery packs. Service of battery packs should only be performed by the manufacturer or authorized service providers.

## **IMPORTANT**

- Checking and maintenance requires specialist knowledge. If you are unable to check and maintain the product or deal with a fault yourself, consult your dealer. Do not attempt to dismantle the product.
- Clean the machine with a dry cloth. Do not use water.

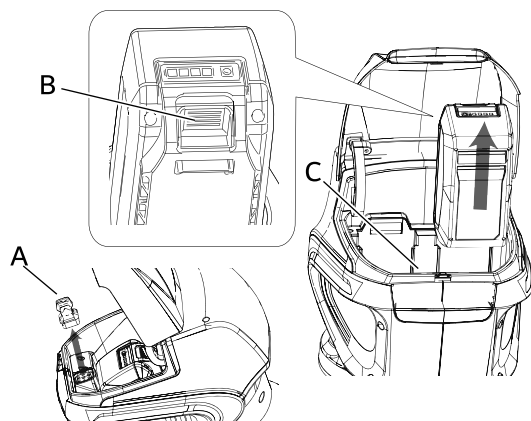
### Servicing guidelines

Area	Maintenance	Page	Before use	Monthly
Battery, Battery compartment	Inspect/Clean/Charge	27	•	
Cutting Blade	Inspect/Clean	26,29	•	
Wheel	Inspect/Clean	29	•	
Shield deck, Rear shield	Inspect/Clean	29	•	
Discharge chutes	Inspect/Clean	29	•	
Screws, bolts and nuts	Inspect/Tighten/Replace	-	•	

### Maintenance and care

If you have any questions or problems, please contact your ECHO DEALER.

#### Cleaning battery and battery compartment



## **⚠ WARNING**

- Risk of electric shock or fire. Do not use conducting materials to clean the battery or the battery compartment.

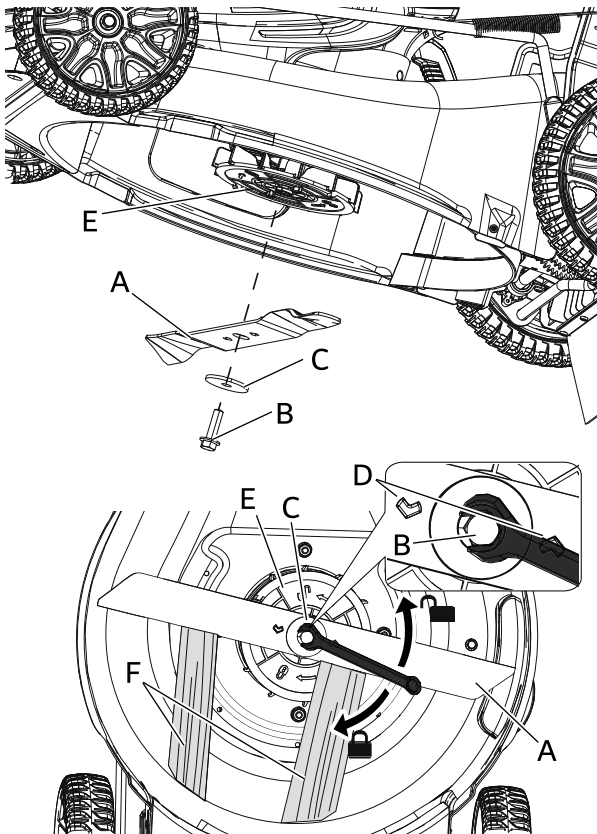
1. Release power button, trigger switch, and drive switch, and allow the blade and wheels to stop.
2. Remove safety key (A).
3. Depress battery pack latch (B) slide the battery pack out of battery compartment (C).
4. Use compressed air or a soft bristle brush to remove debris from the battery and battery compartment (C).

# Maintenance and care

## Installing blade

### **⚠ WARNING**

- Wear heavy duty gloves when working with the cutting blade.
- When replacing the cutting blade during a trimming task, release the trigger button, trigger switch, and drive switch, and ensure that the blade and wheels have stopped, and that the safety key and batteries have removed.
- Do not attempt to fit the cutting blade with one hand or without using a wrench or socket. Fit the cutting blade accurately using the wrench or socket and tighten firmly in position.
- Do not use any tools other than the wrench or socket tighten the blade; a pneumatic or electric tool may tighten the blade more than necessary and cause the bolt or the output head to break.
- If worn the bolt for the blade are used, there is a danger of the blade getting loose. Replace them with new one. Failure to do so could lead to an injury or serious accident.



### Remove

1. Stop the unit. Make sure that cutting blade (A) fully stops.
2. Remove the safety key and batteries.
3. Inspect new cutting blade (A) before installation. Check for sharpness.
4. Use a piece of wood (F) or special lawnmower blade holding tool to prevent the movement of current cutting blade (A).
5. Loosen mounting bolt (B) anticlockwise with the wrench or socket, to remove mounting bolt (B) and spacer (C).
6. Remove cutting blade (A).

### Install

### **⚠ CAUTION**

- Fix output shaft securely using a piece of wood or special law mower blade holding tool in order to prevent it form rotating when the blade is mounted. Otherwise, the blade fastening nut will not be tightened sufficiently.

7. Put new cutting blade (A) on and make sure arrows (D) on the output head engage holes on cutting blade (A), and put spacer (C) and mounting bolt (B) to turn mounting bolt (B) clockwise by hand.

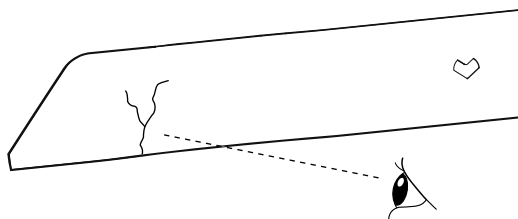
### **⚠ CAUTION**

- Never fasten while applying your weight. Otherwise the thread of bolt (B) or output head (E) could be broken.

8. Securely tighten mounting bolt (B) clockwise with the wrench or socket, to fix spacer (C) and cutting blade. Recommended tightening torque: 33-37 Nm.
9. Remove the piece of wood (F) or the special lawnmower blade holding tool.
10. Examine the blade can turn freely and horizontally by hand with the heavy duty glove.

# Maintenance and care

## Checking the blade



- ♦ Use only the blade designated for this model by the manufacturer.
- ♦ When a crack is noticed on the blade, do not use it but replace with a new one.
- ♦ Ensure that the blade is correctly fitted in accordance with the instructions.
- ♦ When chip or bend occurs on the blade, vibration will increase. Replace with new one.
- ♦ Clean the cutting blade.

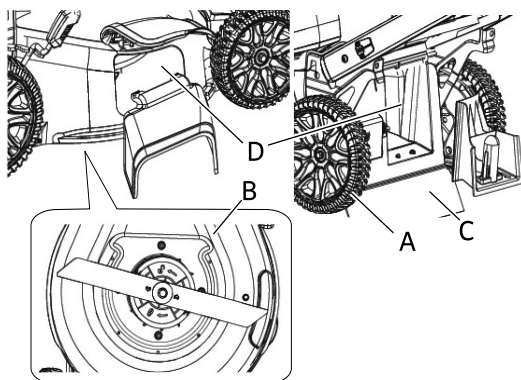
### CAUTION

- Dull blade increase the risk of blade spring back reactions.
- Small cracks can develop into fractures resulting in a piece of the blade flying off during operation.
- If necessary, have the blade evenly sharpened by a skilled person.

## Cleaning the unit

### CAUTION

- Wear heavy duty gloves when working near the cutting blade or wheels.
- When cleaning the unit, release the trigger button, trigger switch, and drive switch, and ensure that the blade and wheels have stopped, and that the safety key and batteries have removed.  
Failure to do so could lead to an injury or serious accident.
- Do not let brake fluids, gasoline, petroleum-based materials, strong solvents, or detergents touch the plastic parts.  
Chemicals can cause damage to the plastic, and make the plastic unserviceable.



1. Release the power button, trigger switch, and drive switch.
2. Remove the safety key and batteries.
3. Clean and inspect wheels (A), shield deck (B), rear shield (C), and discharge chutes (D).

### IMPORTANT

- Remove grass around shafts of the cutting blade and wheels.

# Maintenance and care

## Troubleshooting table

<b>IMPORTANT</b>		
<p>○ For spare parts and consumables, please use only genuine parts and designated products and components. Using parts from other manufacturers or non-designated components may result in a malfunction.</p>		
Trouble	Cause	Remedy
Red Charger light flashes or does not light up	<ol style="list-style-type: none"> <li>1. Plug not connected to power outlet</li> <li>2. Battery pack not installed properly</li> <li>3. Obstructed connection</li> <li>4. Fault in the charger</li> <li>5. Fault in the battery pack</li> </ol>	<ol style="list-style-type: none"> <li>1. Plug in the charger</li> <li>2. Check the battery pack installation</li> <li>3. Reinstall battery pack again after removing obstructions from connection.</li> <li>4. Consult your dealer</li> <li>5. Consult your dealer</li> </ol>
Unit does not run when turned on	<ol style="list-style-type: none"> <li>1. Battery pack not installed properly</li> <li>2. Battery pack discharged</li> <li>3. Line head obstructed</li> <li>4. Battery pack outside acceptable temperature range</li> <li>5. Grass jammed between the shield guard, and cutting blade or wheels.</li> <li>6. Battery pack may require service or replacement.</li> </ol>	<ol style="list-style-type: none"> <li>1. Check the battery pack installation</li> <li>2. Charge the battery pack</li> <li>3. Turn off the unit and clean the cutting attachment</li> <li>4. Remove the battery pack and allow to cool</li> <li>5. Remove battery and safety key; check under shield guard for jams.</li> <li>6. Contact your dealer or replace battery.</li> </ol>
Running time is too short	<ol style="list-style-type: none"> <li>1. Battery pack outside acceptable temperature range</li> <li>2. Unit electronics too hot</li> <li>3. Battery pack discharged</li> </ol>	<ol style="list-style-type: none"> <li>1. Remove the battery pack and allow to cool</li> <li>2. Turn unit off and allow to cool</li> <li>3. Charge the battery pack</li> </ol>
Unit cuts the grass unevenly.	<ol style="list-style-type: none"> <li>1. Lawn is rough or uneven.</li> <li>2. The cutting height is not set properly.</li> <li>3. Cutting blade is dull.</li> </ol>	<ol style="list-style-type: none"> <li>1. Check the mowing area.</li> <li>2. Move height adjustment lever to higher settings.</li> <li>3. Replace or sharpen the blade.</li> </ol>
Unit is excessively noisy and vibrates.	<ol style="list-style-type: none"> <li>1. The shaft of cutting blade or wheels is bent.</li> <li>2. Cutting blade or wheel is unbalanced.</li> </ol>	<ol style="list-style-type: none"> <li>1. Stop the unit, and inspect for damage. Contact your dealer for repair.</li> <li>2. Repair before restarting. If vibration persists, contact your dealer.</li> </ol>
Unit is hard to push or self-propel.	<ol style="list-style-type: none"> <li>1. Grass is too tall, or the cutting height is too low.</li> <li>2. The rear of grass catcher is dragging in thick grass.</li> </ol>	<ol style="list-style-type: none"> <li>1. Raise the cutting height.</li> <li>2. Empty the grass clippings from grass catcher.</li> </ol>
Unit does not mulch properly.	<ol style="list-style-type: none"> <li>1. Wet grass clippings are sticking to the underside of shield guard.</li> <li>2. Mulch plug is missing.</li> </ol>	<ol style="list-style-type: none"> <li>1. Remove battery pack and clean the unit. Wait until the grass dries before mowing.</li> <li>2. Install the mulching plug.</li> </ol>

- ♦ Consult your dealer in the event of a problem that is not covered in the table above, or other such concerns.
- ♦ Please contact your dealer in order to dispose of the product or its parts in compliance with national laws.

- ♦ Our goods come with guarantees that cannot be excluded under the Australian Consumer Law. You are entitled to a replacement or refund for a major failure and compensation for any other reasonably foreseeable loss or damage. You are also entitled to have the goods repaired or replaced if the goods fail to be of acceptable quality and the failure does not amount to a major failure.
- ♦ For warranty service, find the nearest Authorised Service Dealer in our dealer locator map at [www.echo-australia.com.au/en\\_au/finder](http://www.echo-australia.com.au/en_au/finder), or by calling 1300 274 447, or by emailing or writing to [salesenquires@briggsandstratton.com.au](mailto:salesenquires@briggsandstratton.com.au), Briggs & Stratton Australia Pty Ltd, Locked bag 5004, St Clair, NSW 2759.

# Maintenance and care

## Storage

### WARNING

- Do not store in an enclosure where combustible fumes may accumulate.  
You could cause a fire.



When storing the unit for long periods of time, ensure that the following preparations for storage are carried out.

#### Motor Unit

1. Turn power to unit off.
2. Remove safety key and battery pack from battery housing.
3. Remove accumulation of dirt and debris from exterior of the unit.
4. Tighten all the screws and nuts.
5. Close battery door.
6. Store unit in a dry, dust-free place, out of the reach of children.
7. Store unit in temperatures between 0 °C (32°F) and 40 °C (104 °F).

#### Battery

1. Remove battery from battery housing.
2. Cover the battery.
3. Store in a dry, dust-free place, out of the reach of children.
4. Store in temperatures between 0 °C (32°F) and 40 °C (104 °F).
5. If battery is stored longer than one year, charge it to approximately 40 – 60% capacity and store in temperatures between 10 °C (50°F) and 30 °C (86 °F).

#### Battery charger

1. Remove battery from battery charger.
2. Cover the charger.
3. Disconnect battery charger from power supply.
4. Store in a dry, dust-free place, out of the reach of children.

## Disposal



- ♦ Major plastic parts making up the product have codes showing their materials. The codes refer to the following materials; dispose of those plastic parts in accordance with local regulations.

Mark	Material
>PA6-GF<	Nylon 6 - Glass fiber
>PP-GF<	Polypropylene - Glass fiber
>PE-HD<	Polyethylene
>PP<	Polypropylene
>ABS<	Acrylonitrile - Butadiene - Styrene

- ♦ Please contact your dealer in case you do not know how you should dispose of waste plastic parts.
- ♦ Battery contains lithium. Dispose of only at a designated collection point.
- ♦ Lithium-ion batteries must be recycled or disposed of properly.

# Specifications

		<b>DLM-5100SP</b>		
<b>External dimensions:</b> Length × Width × Height		1590 × 560 × 1190 mm		
<b>Mass:</b> Unit without battery, grass catcher, mulch plug, and side discharge chute Unit with battery		27.6 kg 31.7 kg		
<b>Cutting blade:</b> Metal cutting head Maximum rotational frequency of the spindle		515 mm 2800 r/min, 3200r/min (Turbo)		
<b>Battery:</b> Type Pack voltage		LBP-56V125, LBP-56V250, LBP-50-150, LBP-50-250 Li-Ion 56 (rated 50.4)		
<b>Charger:</b> Charger input voltage Charge Time (approximately)	V min	LC-56V4A AC 220 - 240 38 (LBP-56V125) 75 (LBP-56V250) N/A (LBP-50-150)* N/A (LBP-50-250)*	LCJQ-560 AC 220 - 240 47 (LBP-56V125) 86 (LBP-56V250) 47 (LBP-50-150) 89 (LBP-50-250)	LCJU-560 AC 220 - 240 47 (LBP-56V125) 52 (LBP-56V250) 47 (LBP-50-150) 57 (LBP-50-250)
<b>Charger Lights:</b>		Red LED – Battery is outside charging temperature range Red LED Blinking – Fault Green LED – Battery finished charging Green LED Blinking – Battery is charging normally		
<b>Vibration levels:</b> (EN IEC 62841-4-3) Uncertainty:K		≤2.5 m/s <sup>2</sup> 1.5		
<b>Sound pressure level:</b> (EN IEC 62841-4-3) <b>Sound power level:</b> (EN IEC 62841-4-3) Uncertainty		81.4 dB(A) 94.3 dB(A) 3.0 dB(A)		

\* Do not charge battery LBP-50-150/LBP-50-250 with charger LC-56V4A.

These specifications are subject to change without notice.

The vibration and noise emissions during actual use of the unit can differ from the declared values depending on the ways in which the tool is used especially what kind of workpiece is processed.

# Declaration of conformity

---

The undersigned manufacturer:

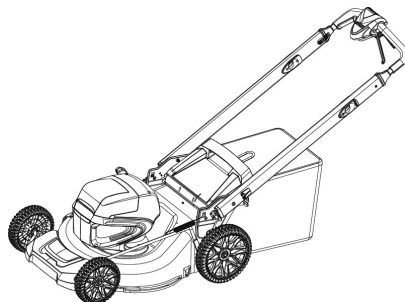
**YAMABIKO CORPORATION**  
1-7-2 Suehirocho, Ohme, Tokyo 198-8760 JAPAN

This declaration of conformity is issued under the sole responsibility of the manufacturer.

Declares that the hereunder specified new unit:

## **LAWN MOWER**

**Brand: ECHO**  
**Type: DLM-5100SP**



Complies with:

- \* the requirements of Directive **2006/42/EC** (use of harmonized standard **EN 62841-1:2015+A11:2022, EN IEC 62841-4-3:2021+A11:2021**)
- \* the requirements of Directive **2014/30/EU** (use of harmonized standard **EN 55014-1:2017+A11:2020, EN 55014-2:1997+A1:2001+A2:2008**)
- \* the requirements of Directive **2000/14/EC** amended by 2005/88/EC

Conformity assessment procedure followed **ANNEX VI**

TÜV Rheinland LGA Products GmbH (Notified Body 0197)  
Tillystrasse 2, 90431 Nürnberg – Germany

Measured sound power level: 94 dB(A)

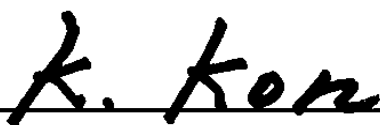
Guaranteed sound power level: 98 dB(A)

- \* the requirements of Directive **2011/65/EU** (use of harmonized standard **EN IEC 63000:2018**)

Serial Number E82335001001 to E82335100000

Tokyo, February 1st, 2024

## **YAMABIKO CORPORATION**



**Katsunori Kon**

**General Manager**  
**Quality Assurance Dept.**

**The authorized representative in Europe who is authorized to compile the technical file.**

Company: CERTIFICATION EXPERTS B.V.

Address: Amerlandseweg 7, 3621 ZC Breukelen, The Netherlands

**Mr. Richard Glaser**

# UK Declaration of conformity

---

Manufacturer: YAMABIKO CORPORATION  
Address: 1-7-2 Suehirocho, Ohme, Tokyo 198-8760, JAPAN

Authorized representative: UKCA Experts Ltd. Mr. Richard Glaser  
Address: Dept 302, 43 Owston Road, Carcroft, Doncaster, DN6 8DA,  
The United Kingdom

We, YAMABIKO Corporation, declare under our sole responsibility that the hereunder specified product complies with the following requirements.

Product Name: **LAWN MOWER**  
Brand: **ECHO**  
Sales Model: **DLM-5100SP**  
Serial Number: E82335001001 to E82335100000

Complies with:

- \* the requirements of Directive **2006/42/EC** (use of harmonized standard **EN 62841-1:2015+A11:2022, EN IEC 62841-4-3:2021+A11:2021**)
- \* the requirements of Directive **2014/30/EU** (use of harmonized standard **EN 55014-1:2017+A11:2020, EN 55014-2:1997+A1:2001+A2:2008**)
- \* the requirements of Directive **2000/14/EC** amended by 2005/88/EC

Conformity assessment procedure followed **ANNEX VI**

TÜV Rheinland LGA Products GmbH (Notified Body 0197)  
Tillystrasse 2, 90431 Nürnberg – Germany

Measured sound power level: 94 dB(A)

Guaranteed sound power level: 98 dB(A)

- \* the requirements of Directive **2011/65/EU** (use of harmonized standard **EN IEC 63000:2018**)

Tokyo, February 1st, 2024



**Katsunori Kon**  
General Manager  
Quality Assurance Department  
YAMABIKO CORPORATION

# MEMORANDUM

**YAMABIKO CORPORATION**  
1-7-2 Suehirocho, Ohme, Tokyo 198-8760 JAPAN  
PHONE: 81-428-32-6118. FAX: 81-428-32-6145.



X750829-2201



FRANÇAIS  
FR (Notice originale)

# MANUEL D'UTILISATION TONDEUSE À GAZON DLM-5100SP

## AVERTISSEMENT



LIRE ATTENTIVEMENT LES INSTRUCTIONS ET SUIVRE LES  
RÈGLES DE SÉCURITÉ.  
LE NON-RESPECT DES RÈGLES DE SÉCURITÉ ENTRAÎNE UN  
RISQUE D'ACCIDENTS GRAVES.

# Table des matieres

---

Information importante.....	3
Pour utiliser l'appareil en toute sécurité.....	4
Description.....	14
Avant de commencer.....	15
Contenu de l'emballage.....	15
Chargement de la batterie.....	16
Assemblage.....	18
Réglage de la hauteur de coupe.....	19
Pose et retrait de la batterie.....	20
Fonctionnement.....	22
Mise en marche de l'appareil.....	22
Arrêt de l'appareil.....	23
Mode turbo de la lame de coupe.....	24
Mode éclairage.....	24
Vidage du panier à herbe.....	25
Rangement vertical.....	25
Indication d'erreurs.....	25
Utilisation de l'appareil.....	27
Utilisation de base de l'appareil avec lame métallique.....	28
Utilisation en pente.....	29
Entretien.....	30
Instructions d'entretien de l'appareil.....	30
Entretien.....	30
Guide de dépannage.....	33
Remisage.....	34
Mise au rebut.....	34
Caractéristiques.....	35
Déclaration de conformité.....	36

# Information importante

---

**Lire attentivement le manuel d'utilisation avant d'utiliser l'appareil pour la première fois.**

## ○ Utilisation prévue de l'appareil

- ♦ Cet appareil a été conçu pour la lutte contre les mauvaises herbes et la tonte de gazon.
- ♦ Ne pas détourner cet outil de son utilisation normale.

## ○ Utilisateurs de l'appareil

- ♦ Lire attentivement ce manuel d'utilisation et assimiler les informations qu'il contient avant d'utiliser l'appareil pour la première fois.
- ♦ Ne jamais laisser des enfants ou des personnes présentant des capacités physiques, sensorielles ou mentales réduites ou manquant d'expérience ou de connaissances ni des personnes non familiarisées avec le présent manuel utiliser l'appareil. La réglementation locale peut par ailleurs imposer des restrictions d'âge de l'utilisateur.
- ♦ L'utilisateur est tenu pour responsable en cas d'accidents ou de risques pouvant entraîner des accidents corporels ou des dommages matériels.

## ○ À propos du manuel d'utilisation

- ♦ Ce manuel contient les informations nécessaires à l'utilisation et à l'entretien de l'appareil. L'utilisateur doit donc le lire attentivement et assimiler les informations qu'il contient.
- ♦ Toujours conserver le manuel à portée de main.
- ♦ En cas de perte du manuel ou si ce dernier a été détérioré et n'est plus lisible, s'adresser à un REVENDEUR ECHO pour en obtenir un nouveau.
- ♦ Les unités utilisées dans ce manuel sont les unités SI (Système international d'unités). Les chiffres indiqués entre parenthèses sont des valeurs de référence. De légères erreurs de conversion peuvent survenir dans certains cas.

## ○ Prêt ou cession de l'appareil à un tiers

- ♦ Si l'appareil décrit dans ce manuel est prêté à un tiers, veiller à lui confier également le manuel d'utilisation fourni avec le produit. Si l'appareil est cédé à un tiers, transmettre le manuel d'utilisation fourni avec le produit lors de la vente.

## ○ Renseignements

- ♦ S'adresser à un REVENDEUR ECHO pour toute demande d'information concernant l'appareil, l'achat de consommables, les réparations ou pour tout autre renseignement.

## ○ Remarques

- ♦ Le constructeur se réserve le droit de modifier sans préavis le contenu de ce manuel en fonction des améliorations apportées au produit. Il se peut que certains des schémas de ce manuel soient différents de l'appareil. Ces différences ont pour objectif de rendre les explications plus claires.
  - ♦ L'appareil nécessite le montage de certains éléments.
  - ♦ En cas de doute, consulter un REVENDEUR ECHO.
- 
- ♦ Nos marchandises s'accompagnent de garanties qui ne peuvent être exclues dans le cadre de la loi australienne relative à la protection des consommateurs. Vous avez droit à un remplacement ou à un remboursement en cas de défaillance majeure et à une indemnisation pour tout autre préjudice ou dommage raisonnablement prévisible. Vous avez également le droit de faire réparer ou remplacer les marchandises si lesdites marchandises ne sont pas d'une qualité acceptable et si le défaut ne constitue pas une défaillance majeure.
  - ♦ Pour bénéficier de la garantie, vous trouverez le technicien agréé le plus proche sur notre carte de localisation des revendeurs sur [www.echo-australia.com.au/en\\_au/finder](http://www.echo-australia.com.au/en_au/finder), en appelant le 1300 274 447 ou en vous adressant par e-mail ou par courrier à : [salesenquires@briggsandstratton.com.au](mailto:salesenquires@briggsandstratton.com.au), Briggs & Stratton Australia Pty Ltd, Locked bag 5004, St Clair, NSW 2759.

# Pour utiliser l'appareil en toute sécurité

## Lire attentivement ce chapitre avant d'utiliser l'appareil pour la première fois.




○ Les précautions décrites dans ce chapitre contiennent des informations essentielles pour la sécurité. Les suivre scrupuleusement.

○ Il est également nécessaire de prendre connaissance des précautions exposées tout au long de ce manuel.

Le texte précédé d'une puce [en forme de losange] décrit les risques encourus en cas de non-respect d'une précaution.


## Étiquettes et symboles d'avertissement

Les mises en garde figurant dans le manuel et sur l'appareil signalent les situations pouvant entraîner un risque d'accident corporel pour l'utilisateur et d'autres personnes. Pour des raisons de sécurité, toujours lire et suivre attentivement les instructions qui les accompagnent.

 <b>DANGER</b>	 <b>AVERTISSEMENT</b>	 <b>ATTENTION</b>
Ce symbole associé au mot « <b>DANGER</b> » attire l'attention sur une action ou une situation présentant un risque d'accident corporel grave voire mortel pour l'utilisateur et les personnes présentes à proximité.	Ce symbole associé au mot « <b>AVERTISSEMENT</b> » attire l'attention sur une action ou une situation présentant un risque d'accident corporel grave voire mortel pour l'utilisateur et les personnes présentes à proximité.	« <b>ATTENTION</b> » signale une situation potentiellement dangereuse qui, si elle n'est pas évitée, peut entraîner des blessures légères à modérées.









## Autres indications

Outre les étiquettes et les symboles d'avertissement, ce manuel contient les symboles d'explication suivants :









	Le cercle barré indique une interdiction.	<b>REMARQUE</b>	<b>IMPORTANT</b>
		Ce type de message fournit des conseils relatifs à l'utilisation et à l'entretien de l'appareil.	Le texte dans l'encadré où figure le mot « <b>IMPORTANT</b> » donne des informations importantes concernant l'utilisation, la vérification, l'entretien et le remisage de l'appareil décrit dans ce manuel.

## Symboles

De nombreux symboles d'explication sont utilisés dans ce manuel et sur l'appareil lui-même. S'assurer d'avoir bien compris la signification de chacun de ces symboles.

Forme des symboles	Description/application des symboles	Forme des symboles	Description/application des symboles
	Lire attentivement le manuel d'utilisation		Retirer le bloc-batterie avant toute intervention de nettoyage et d'entretien.
	Avertissement ! Projections d'objets !		Ne laisser personne s'approcher
	Garder les mains et les pieds à l'écart des pièces en rotation.		Faire preuve d'un surcroît de prudence sur les pentes. Ne pas tondre sur des déclivités de plus de 15 degrés.
	Alerte/sécurité		Attention aux températures élevées

# Pour utiliser l'appareil en toute sécurité

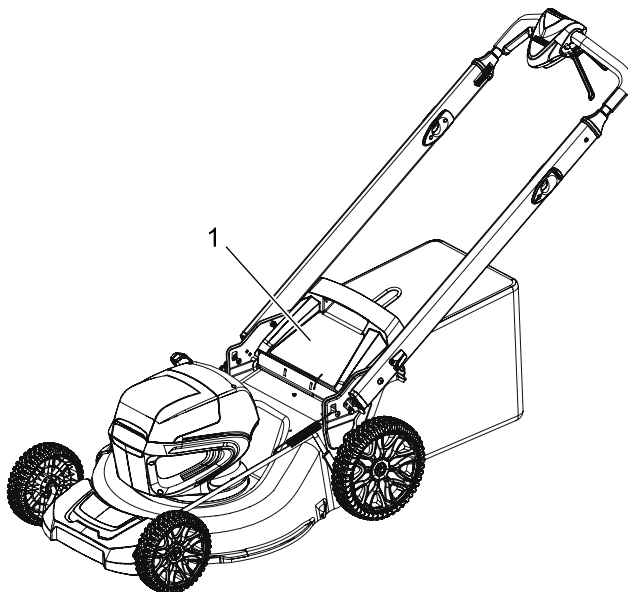
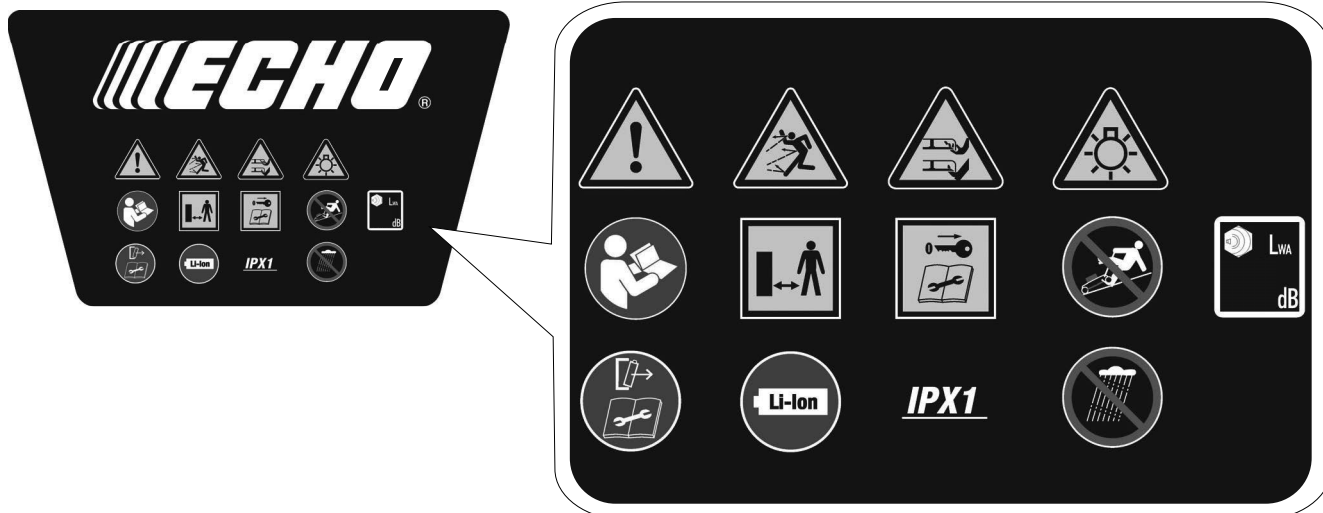
Forme des symboles	Description/application des symboles	Forme des symboles	Description/application des symboles
	Retirer la clé de sécurité avant toute intervention de nettoyage et d'entretien.		Niveau de puissance sonore garanti
	Ne jamais utiliser cet appareil lorsqu'il pleut ou dans des endroits humides		Batterie lithium-ion
	Attention aux risques d'incendie		Ne pas jeter les appareils électriques avec les ordures ménagères
	Protégé contre les gouttes d'eau tombant verticalement		Ne pas fixer le faisceau du regard et porter des protections oculaires pendant l'entretien

# Pour utiliser l'appareil en toute sécurité

## Étiquette(s) de sécurité

- L'étiquette de sécurité ci-dessous figure sur les appareils décrits dans ce manuel. S'assurer de bien comprendre la signification de l'étiquette avant d'utiliser l'appareil.
- Si l'étiquette devient illisible avec le temps ou si elle s'est décollée ou a été déchirée, contacter un revendeur pour obtenir une nouvelle étiquette et la coller à l'emplacement indiqué sur les illustrations ci-dessous. Veiller à ce que l'étiquette soit toujours lisible.

1. Autocollant de sécurité (référence P022-066290)



# Pour utiliser l'appareil en toute sécurité

## Manipulation de l'appareil

### Consignes générales de sécurité concernant les outils motorisés

#### AVERTISSEMENT

**Prendre connaissance de l'ensemble des mises en garde, consignes, illustrations et spécifications fournies avec cet outil motorisé.**

Négliger l'ensemble des consignes énumérées ci-après pourrait entraîner un choc électrique, un départ de feu ou un accident corporel grave.

**Conserver l'ensemble des mises en garde et consignes de sécurité pour pouvoir les consulter ultérieurement.**

Le terme « outil motorisé » utilisé dans les mises en garde désigne un outil motorisé fonctionnant sur secteur (avec un cordon) ou sur batterie (sans fil).

#### **Sécurité de la zone de travail**

- **Garder la zone de travail propre et bien éclairée.** Les endroits encombrés ou sombres favorisent la survenue d'accidents.
- **Ne pas utiliser des outils motorisés dans une atmosphère explosible, par exemple en présence de liquides, gaz ou poussières inflammables.** Les outils motorisés créent des étincelles qui peuvent enflammer des poussières ou des vapeurs.
- **Tenir les enfants et les spectateurs à distance pendant l'utilisation d'un outil motorisé.** Les distractions peuvent être à l'origine d'une perte de contrôle de l'outil.

#### **Sécurité électrique**

- **La fiche de l'outil motorisé doit correspondre à la prise secteur. Ne jamais modifier la fiche de quelque manière que ce soit. Ne pas utiliser d'adaptateurs avec les outils motorisés reliés à la terre.** Les fiches non modifiées et les prises secteur correspondantes réduiront le risque de choc électrique.
- **Éviter le contact corporel avec les surfaces reliées à la terre ou à une masse telles que les tuyaux, radiateurs, cuisinières et réfrigérateurs.** Le contact corporel avec une terre ou une masse représente un risque accru de choc électrique.
- **Ne pas exposer les outils motorisés à la pluie ou à l'humidité.** L'eau qui pénètre dans un outil motorisé augmentera le risque de choc électrique.
- **Ne pas forcer sur le cordon. Ne jamais utiliser le cordon pour porter, tirer ou débrancher l'outil motorisé. Tenir le cordon à l'écart des sources de chaleur, des huiles, des bords tranchants ou des pièces en mouvement.** Un cordon endommagé ou emmêlé augmente le risque de choc électrique.
- **Pour faire fonctionner un outil motorisé à l'extérieur, utiliser un cordon prolongateur adapté à cet usage.** L'utilisation d'un cordon adapté à un usage extérieur réduit le risque de choc électrique.
- **Si un outil motorisé doit absolument être utilisé dans un endroit humide, utiliser une alimentation protégée par un disjoncteur différentiel résiduel (DDR).** L'utilisation d'un DDR réduit le risque de choc électrique.

#### **Sécurité des personnes**

- **Rester alerte, regarder ce que l'on fait et faire preuve de bon sens lorsque l'on utilise un outil motorisé. Ne pas utiliser un outil motorisé lorsque l'on est fatigué ou sous l'emprise de drogues, de l'alcool ou de médicaments.** Un moment d'inattention tandis que l'on utilise des outils motorisés peut entraîner un accident corporel grave.
- **Utiliser des équipements de protection individuelle. Toujours porter des lunettes de protection.** Les équipements de protection tels qu'un masque antipoussières, des chaussures de sécurité antidérapantes, un casque ou des protections auditives utilisés à bon escient réduiront le risque d'accidents corporels.
- **Prévenir tout démarrage accidentel. S'assurer que l'interrupteur est en position d'arrêt avant de raccorder l'appareil à une source d'alimentation ou à un bloc-batterie, de le ramasser ou de le transporter.** Transporter des outils motorisés en ayant le doigt sur l'interrupteur ou mettre sous tension des outils motorisés dont l'interrupteur est en position de marche favorise la survenue d'accidents.
- **Retirer toute clé de réglage avant de mettre l'outil motorisé en marche.** Une clé laissée fixée sur une pièce tournante de l'outil motorisé peut entraîner un accident corporel.
- **Ne pas tenir l'appareil à bout de bras. Veiller à avoir de bons appuis et garder l'équilibre en permanence.** Ceci permet de mieux maîtriser l'outil motorisé dans des situations inattendues.
- **S'habiller de façon appropriée. Ne pas porter de vêtements amples ni de bijoux. Garder les cheveux et vêtements à distance des pièces en mouvement.** Les vêtements amples, bijoux ou cheveux longs peuvent se prendre dans les pièces en mouvement.
- **Si des dispositifs sont prévus pour le raccordement d'un système d'extraction et de recueil des poussières, veiller à les raccorder et à bien les utiliser.** L'utilisation d'un système de dépoussiérage pourra réduire les dangers liés aux poussières.
- **Ne pas laisser l'habitude acquise du fait de l'utilisation fréquente des outils vous laisser relâcher votre vigilance et ignorer les principes de sécurité concernant les outils.** Toute imprudence peut provoquer un accident grave en une fraction de seconde.

# Pour utiliser l'appareil en toute sécurité

## AVERTISSEMENT

### Utilisation et entretien des outils motorisés

- **Ne pas forcer sur les outils motorisés. Utiliser l'outil motorisé adapté au travail à effectuer.** L'outil motorisé adapté fonctionnera mieux et de façon plus sûre au niveau de puissance pour lequel il a été conçu.
- **Ne pas utiliser l'outil motorisé si l'interrupteur ne permet pas de le mettre en marche et de l'arrêter.** Tout outil motorisé impossible à commander à l'aide de l'interrupteur est dangereux et doit être réparé.
- **Débrancher la fiche de la source d'alimentation ou retirer le bloc-batterie de l'outil motorisé, s'il est amovible, avant de procéder à des réglages, de changer d'accessoire ou de remiser l'appareil.** Ces mesures de sécurité préventive réduisent le risque de mise en marche accidentelle des outils motorisés.
- **Remiser les outils motorisés hors de portée des enfants et ne pas autoriser les personnes non familiarisées avec l'outil ou le présent manuel à utiliser l'appareil.** Les outils motorisés sont dangereux entre les mains d'utilisateurs non formés.
- **Entretenir les outils motorisés et les accessoires. Vérifier l'absence de pièces mobiles mal alignées ou bloquées ou encore de pièces cassées. Repérer toute autre situation susceptible d'avoir une incidence sur le fonctionnement de l'outil motorisé. Si un outil motorisé est endommagé, le faire réparer avant de l'utiliser.** De nombreux accidents sont provoqués par des outils motorisés mal entretenus.
- **Garder la lame tranchante et propre.** Une lame correctement entretenue avec des arêtes tranchantes est moins susceptible de se coincer et sera plus facile à maîtriser.
- **Utiliser les outils motorisés, accessoires, embouts, etc., conformément à la présente notice, en tenant compte des conditions d'utilisation et du travail à effectuer.** L'utilisation d'un outil motorisé pour des travaux différents de ceux prévus pourrait entraîner une situation dangereuse.

### Utilisation et entretien des outils à batterie

- **Ne recharger les batteries qu'avec le chargeur préconisé par le fabricant.** Un chargeur adapté à un type de bloc-batterie peut créer un risque d'incendie s'il est utilisé avec un autre bloc-batterie.
- **Utiliser les outils motorisés uniquement avec les blocs-batteries spécialement prévus à cet effet.** L'utilisation de tout autre bloc-batterie peut créer un risque d'accident et de départ de feu.
- **Lorsque le bloc-batterie n'est pas utilisé, le tenir à l'écart des autres objets métalliques tels que trombones, pièces de monnaie, clés, clous, vis ou autres petits objets en métal qui pourraient établir une connexion entre les bornes de la batterie.** La mise en court-circuit des bornes de la batterie peut occasionner des brûlures ou un départ de feu.
- **En situation d'utilisation trop intensive, du liquide peut être éjecté de la batterie – éviter tout contact avec ce liquide. En cas de contact accidentel, rincer à l'eau. Si ce liquide atteint les yeux, demander par ailleurs une aide médicale.** Le liquide éjecté de la batterie peut occasionner une irritation ou des brûlures.
- **Ne pas utiliser un bloc-batterie ou un outil endommagé ou ayant été modifié.** Les batteries endommagées ou modifiées peuvent se comporter de manière imprévisible et entraîner un départ de feu, une explosion ou un risque d'accident.
- **Ne pas exposer un bloc-batterie ou un outil au feu ou à une température excessive.** L'exposition au feu ou à une température supérieure à 130 °C peut provoquer une explosion.
- **Suivre l'ensemble des instructions de mise en charge et ne pas charger le bloc-batterie ou l'outil en dehors de la plage de température préconisée dans la notice.** Une mise en charge incorrecte ou à des températures sortant de la plage préconisée peut endommager la batterie et accroître le risque de départ de feu.

### Entretien

- **Faire procéder à l'entretien des outils motorisés par un réparateur qualifié n'utilisant que des pièces de rechange identiques.** Ceci assurera le maintien de la sécurité des outils motorisés.
- **Ne jamais essayer de réparer des blocs-batteries endommagés.** L'entretien des blocs-batteries doit être exclusivement confié au fabricant ou à des agents d'entretien agréés.

# Pour utiliser l'appareil en toute sécurité

## Mises en garde de sécurité concernant les tondeuses à gazon

### **AVERTISSEMENT**

- **Ne pas utiliser la tondeuse à gazon par mauvais temps, notamment en cas de risque d'orage.** Ceci diminuera le risque d'être frappé par la foudre.
- **Inspecter soigneusement le terrain sur lequel la tondeuse à gazon doit être utilisée pour déceler la présence d'animaux sauvages.** L'utilisation de la tondeuse à gazon pourrait blesser des animaux sauvages.
- **Inspecter soigneusement le terrain sur lequel la tondeuse à gazon doit être utilisée et enlever l'ensemble des pierres, piquets, fils de fer, os et autres objets.** Les projections d'objets peuvent occasionner des accidents corporels.
- **Avant d'utiliser la tondeuse à gazon, toujours contrôler visuellement l'état de la lame et de sa fixation.** Les pièces usées ou endommagées augmentent le risque d'accident.
- **Vérifier fréquemment que le panier à herbe n'est pas usé ou détérioré.** Un panier à herbe usé ou endommagé augmente le risque d'accident corporel.
- **Laisser les carters de protection en place. Les carters de protection doivent être opérationnels et correctement montés.** Un carter de protection desserré, endommagé ou ne jouant pas correctement son rôle peut entraîner un accident corporel.
- **Enlever les débris de l'ensemble des entrées d'air de refroidissement.** Les entrées d'air obstruées et les débris peuvent entraîner une surchauffe ou un risque d'incendie.
- **Lors de l'utilisation de la tondeuse à gazon, toujours porter des chaussures de sécurité antidérapantes. Ne pas utiliser la tondeuse à gazon pieds nus ou en portant des sandales ouvertes.** Ceci réduira le risque de blessures aux pieds dues à un contact avec la lame en mouvement.
- **Lors de l'utilisation de la tondeuse à gazon, toujours porter un pantalon long.** La peau exposée augmente le risque de blessures dues à des projections d'objets.
- **Ne pas utiliser la tondeuse à gazon sur une herbe mouillée. Marcher, ne jamais courir.** Ceci réduira le risque de glissades et de chutes qui pourraient entraîner un accident corporel.
- **Ne pas utiliser la tondeuse à gazon sur des pentes excessivement raides.** Ceci réduira le risque de pertes de contrôle, de glissades et de chutes qui pourraient entraîner un accident corporel.
- **Sur des pentes, veiller à toujours disposer d'appuis sûrs, travailler en travers de la pente, jamais en montant ou en descendant, et faire preuve d'une extrême prudence lors des changements de direction.** Ceci réduira le risque de pertes de contrôle, de glissades et de chutes qui pourraient entraîner un accident corporel.
- **Faire preuve d'une extrême prudence en reculant ou en tirant la tondeuse vers soi. Toujours faire attention à l'environnement immédiat.** Ceci réduira le risque de trébucher.
- **Garder le cordon d'alimentation à distance des lames.** Un cordon d'alimentation endommagé pourrait entraîner un choc électrique, un départ de feu ou un accident corporel grave.
- **Éteindre l'appareil et débrancher la fiche de la prise secteur si le cordon est emmêlé ou endommagé.** Un cordon emmêlé ou endommagé augmente le risque de choc électrique.
- **Ne pas toucher les lames ou autres pièces mobiles dangereuses tant qu'elles sont encore en mouvement.** Ceci réduira le risque d'accidents dus à des pièces en mouvement.
- **Avant de dégager des matières coincées ou de procéder au nettoyage de la tondeuse à gazon, s'assurer que tous les interrupteurs d'alimentation sont en position d'arrêt et que le bloc-batterie est déconnecté.** Une mise en fonctionnement inattendue de la tondeuse à gazon pourrait entraîner un accident corporel grave.

# Pour utiliser l'appareil en toute sécurité

## Précautions générales

### AVERTISSEMENT

#### Manuel d'utilisation

- Lire attentivement le manuel d'utilisation avant d'utiliser l'appareil pour la première fois afin d'éviter toute erreur d'utilisation.
- ◆ Le non-respect de cette règle de sécurité entraîne un risque d'accident ou de blessure grave.



#### Ne pas détourner l'appareil de son utilisation normale

- Utiliser l'appareil uniquement pour les tâches décrites dans ce manuel d'utilisation.
- ◆ Le non-respect de cette règle de sécurité entraîne un risque d'accident ou de blessure grave.

#### Ne pas modifier l'appareil

- Aucune modification ne doit être apportée à l'appareil.
- ◆ Le non-respect de cette règle de sécurité entraîne un risque d'accident ou de blessure grave. Tout dysfonctionnement dû à une modification de l'appareil n'est pas couvert par la garantie du fabricant.

#### Ne pas utiliser l'appareil avant d'avoir effectué les vérifications et l'entretien nécessaires

- Il est impératif de ne pas utiliser l'appareil avant d'avoir effectué les opérations de vérification et d'entretien nécessaires. Veiller à ce que l'appareil soit vérifié et entretenu régulièrement.
- ◆ Le non-respect de cette règle de sécurité entraîne un risque d'accident ou de blessure grave.
- Ne jamais utiliser l'appareil sans déflecteurs ou carters de protection ou sans ses dispositifs de sécurité.
- ◆ Le non-respect de cette règle de sécurité entraîne un risque d'accident ou de blessure grave.

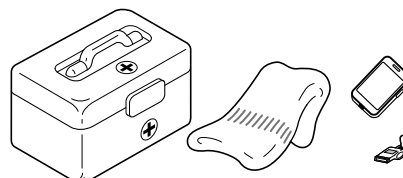
#### Prêt ou cession de l'appareil à un tiers

- Si l'appareil est prêté à un tiers, veiller à lui confier également le manuel d'utilisation fourni avec le produit.
- Si l'appareil est cédé à un tiers, transmettre le manuel d'utilisation fourni avec le produit lors de la vente.
- ◆ Le non-respect de cette règle de sécurité entraîne un risque d'accident ou de blessure grave.

#### Savoir réagir en cas d'accident

Même si les cas de blessure ou d'accident restent exceptionnels, l'utilisateur doit savoir réagir à ces situations.

- Trousse de premiers secours
- Serviettes et lingettes (pour arrêter les saignements)
- Sifflet ou téléphone portable (pour appeler à l'aide)
- ◆ Si l'utilisateur n'est pas capable de prodiguer les premiers soins ou d'appeler à l'aide, la blessure peut s'aggraver.



# Pour utiliser l'appareil en toute sécurité

## Précautions d'utilisation

### AVERTISSEMENT

#### Utilisateurs de l'appareil

L'appareil ne doit pas être utilisé si :

- l'utilisateur est fatigué ;
- l'utilisateur a consommé de l'alcool ;
- l'utilisateur prend des médicaments ;
- la personne qui souhaite utiliser l'appareil est enceinte ;
- l'utilisateur est en mauvaise condition physique ;
- l'utilisateur n'a pas lu le manuel d'utilisation ;
- la personne qui souhaite utiliser l'appareil est un enfant.



◆ Le non-respect de ces règles de sécurité constitue un risque d'accident.

- Cet appareil produit des champs électromagnétiques lorsqu'il fonctionne. Les champs magnétiques peuvent provoquer des interférences ou des pannes sur les stimulateurs cardiaques. Pour réduire les risques pour la santé, nous recommandons aux porteurs d'un stimulateur cardiaque de consulter leur médecin et le fabricant du stimulateur avant d'utiliser cet appareil.

#### Environnement d'utilisation et fonctionnement de l'appareil

##### ○ Ne pas utiliser l'appareil :

- ◆ dans des endroits humides ou mouillés ;
- ◆ sous la pluie ;
- ◆ en cas de mauvaises conditions météo ;



◆ Le non-respect de cette règle de sécurité entraîne un risque d'accident ou de blessure grave.

##### ○ Ne pas utiliser l'appareil s'il n'est pas possible de disposer d'appuis sûrs, comme sur un terrain en pente raide ou détrempé. Ces endroits sont glissants et donc dangereux.

##### ○ Ne pas tondre en montant ou en descendant les pentes ; tondre en réalisant des passes de niveau, suivant les contours du terrain.

##### ○ Ne pas utiliser l'appareil dans des endroits offrant de mauvaises conditions de visibilité.

◆ Toute chute, glissade ou utilisation incorrecte de l'appareil constitue un risque de blessures graves pour l'utilisateur.

#### La zone dans un rayon de 30 mètres est une zone de danger

La zone comprise dans un rayon de 30 m autour de l'appareil est une zone dangereuse. Veiller à bien respecter les précautions suivantes lors de l'utilisation de l'appareil.

##### ○ Ne pas laisser des enfants ou d'autres personnes ni des animaux pénétrer dans la zone dangereuse.

##### ○ Si quelqu'un pénètre dans la zone dangereuse, éteindre l'appareil pour l'arrêter.

##### ○ Lorsqu'une personne s'approche de l'utilisateur, elle doit lui signaler sa présence en lançant des brindilles, par exemple, sans entrer dans la zone dangereuse. Elle doit ensuite vérifier que l'alimentation de l'appareil a été coupée.

##### ○ Si l'appareil est utilisé par plusieurs personnes, celles-ci doivent convenir entre elles des signaux à utiliser et travailler à plus de 30 mètres les unes des autres.

◆ Les objets projetés peuvent blesser gravement l'utilisateur ou les personnes présentes à proximité.

#### Utilisation de l'appareil

Veiller à bien respecter les précautions suivantes lors de l'utilisation de l'appareil.

- Ne pas diriger l'appareil vers des personnes ou des animaux domestiques.
- Ne pas utiliser l'appareil sur une surface instable.
- Tenir la poignée fermement.
- Afin d'éviter toute nuisance sonore pour le voisinage, ne pas utiliser l'appareil tard le soir ou tôt le matin.
- ◆ Le non-respect de ces règles de sécurité constitue un risque d'accident ou de blessure.

#### Éteindre l'appareil avant de se déplacer

Dans les exemples de déplacement décrits ci-dessous, commencer par éteindre l'appareil.

##### ○ Se déplacer vers le lieu de travail.

##### ○ Se déplacer vers un autre endroit tout en travaillant.

##### ○ Quitter le lieu de travail.

◆ Le non-respect de ces précautions constitue un risque de brûlure ou de blessure grave.

##### ○ Pour transporter l'appareil dans une voiture, retirer la batterie et la clé de sécurité et s'assurer que l'appareil est bien calé pour éviter qu'il se déplace lors du trajet.

#### Veiller à ne pas toucher la lame en rotation.

##### ○ Veiller à ne pas approcher la main ou le pied de la lame en rotation au-dessous du carter de tonte.

◆ Ceci entraînerait un accident grave.

#### Veiller à ne pas se tenir devant l'appareil.

##### ○ Veiller à ne pas percuter l'appareil et à ne pas être pris par les roues.

◆ Ceci entraînerait un accident grave.

#### Exposition aux vibrations et au froid

Les personnes exposées aux vibrations et au froid peuvent être victimes du phénomène de Raynaud, une affection qui touche les doigts. L'exposition à des vibrations et au froid peut provoquer une sensation de picotement et de brûlure, suivie d'une décoloration et d'un engourdissement des doigts.

Il est vivement recommandé de respecter les précautions suivantes car le seuil d'exposition minimum pouvant provoquer l'apparition de ce phénomène reste inconnu à ce jour.

##### ○ Limiter la perte de chaleur corporelle, en protégeant en priorité la tête, le cou, les pieds, les chevilles, les mains et les poignets.

##### ○ Stimuler la circulation sanguine en interrompant le travail régulièrement pour remuer énergiquement les bras, et éviter de fumer.

##### ○ Limiter le nombre d'heures d'utilisation.

Essayer d'intégrer à l'emploi du temps de la journée des tâches ne nécessitant pas l'utilisation de la tondeuse ou d'un autre équipement motorisé portatif.

##### ○ En cas d'inconfort, de rougeur et de gonflement au niveau des doigts, suivis d'un blanchissement et d'une perte de sensibilité, consulter un médecin avant de s'exposer à nouveau au froid et aux vibrations.

◆ Le non-respect de ces instructions peut être dangereux pour la santé.

# Pour utiliser l'appareil en toute sécurité

## AVERTISSEMENT

### Lésions attribuables au travail répétitif

Une trop grande sollicitation des muscles et des tendons des doigts, des mains, des bras et des épaules peut entraîner l'apparition d'inflammations, de gonflements, d'engourdissements, d'une sensation de faiblesse ou d'une douleur aiguë dans ces parties du corps. L'apparition de lésions attribuables au travail répétitif (LATR) est très fréquente chez les personnes pratiquant certaines activités manuelles répétitives.

Pour réduire le risque d'apparition de LATR, respecter les précautions suivantes :

- Éviter de plier, d'étirer ou de tordre le poignet pendant le travail.
- Faire des pauses régulières pour réduire l'effet répétitif et pour reposer ses mains. Effectuer le mouvement répétitif plus lentement et en faisant moins d'effort.
- Faire des exercices de musculation des mains et des bras.
- En cas de picotements, d'engourdissement ou de douleur dans les doigts, les mains, les poignets ou les bras, consulter un médecin. Plus les LATR sont diagnostiquées précocement, plus les chances d'empêcher les lésions nerveuses et musculaires irréversibles sont grandes.
- ◆ Le non-respect de ces instructions peut être dangereux pour la santé.

### Quand débrancher la batterie

- Dès que l'utilisateur doit laisser l'appareil sans surveillance.
- Avant d'éliminer un blocage.
- Avant de vérifier ou de nettoyer l'appareil ou de travailler dessus.
- Après un choc avec un objet afin de contrôler l'état de l'appareil.
- Si l'appareil commence à vibrer de manière anormale, pour le vérifier immédiatement.
- ◆ Il existe un risque d'accident en cas de démarrage intempestif de l'appareil.

### Éteindre immédiatement l'appareil en cas d'anomalie

- Éteindre immédiatement l'appareil s'il se met à vibrer soudainement ou émet des bruits anormaux. Ne pas utiliser l'appareil en cas de vibrations ou de sons anormaux.  
S'adresser à un REVENDEUR ECHO pour faire effectuer les réparations nécessaires.
- ◆ L'utilisation prolongée de pièces endommagées entraîne un risque d'accident ou de blessure grave.

### Éteindre l'appareil avant de procéder à des vérifications ou à l'entretien de celui-ci

Respecter les précautions suivantes lors de la vérification et de l'entretien de l'appareil après utilisation :

- Éteindre l'appareil, retirer la batterie et s'assurer que toutes les pièces mobiles se sont complètement immobilisées.
- ◆ Il existe un risque d'accident en cas de démarrage intempestif de l'appareil.
- Laisser l'appareil refroidir avant d'intervenir dessus.
- ◆ Il existe un risque de brûlure.

# Pour utiliser l'appareil en toute sécurité

## Équipements de protection

### AVERTISSEMENT

#### Port d'équipements de protection

○ **Toujours porter des vêtements et des équipements de protection adaptés à l'utilisation de l'outil. Veiller surtout à toujours porter des lunettes de sécurité et un masque antipoussières lorsque l'on travaille avec l'appareil.**

◆ Sans ces équipements de protection, il existe un risque de recevoir des projections de débris ou de poussière, en particulier dans les yeux, ce qui pourrait entraîner un accident ou une blessure.

**a Lunettes de sécurité** : protection des yeux

**b Protection de la tête (casque)** : protection de la tête

**c Gants de sécurité** : protection des mains contre le froid et les vibrations

**d Vêtements bien ajustés (manches longues, pantalon long)** : protection du corps

**e Chaussures ou bottes robustes** : protection des pieds

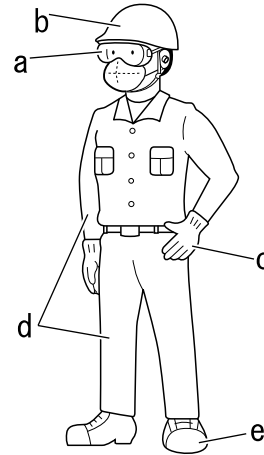
◆ Le non-respect de ces précautions peut entraîner une dégradation de la vue ou de l'ouïe de l'utilisateur, ainsi qu'un risque d'accident grave.

**Si nécessaire, utiliser les équipements de protection ci-dessous.**

○ **Masque antipoussières** : protection respiratoire

○ **Casque de protection anti-bruit ou protecteurs d'oreilles** : protection auditive

○ **Voilette de protection** : protection contre les insectes



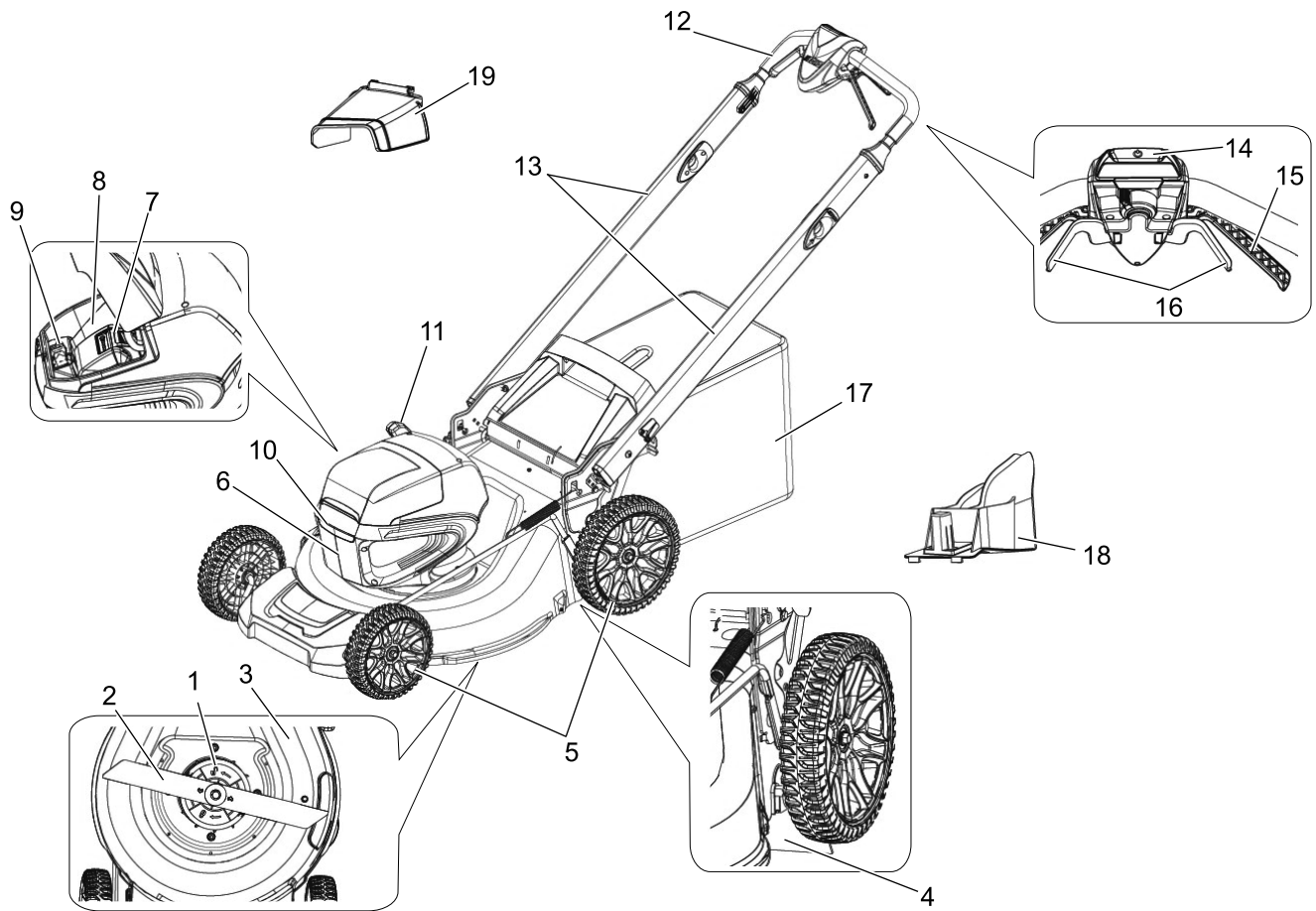
#### Port de vêtements adaptés

**Ne pas porter de cravates, bijoux ou vêtements amples qui pourraient se prendre dans l'appareil. Ne pas porter de chaussures ouvertes, ne pas travailler pieds nus ou jambes nues.**

◆ Le non-respect de ces précautions peut entraîner un accident ou un risque de blessure grave.



# Description

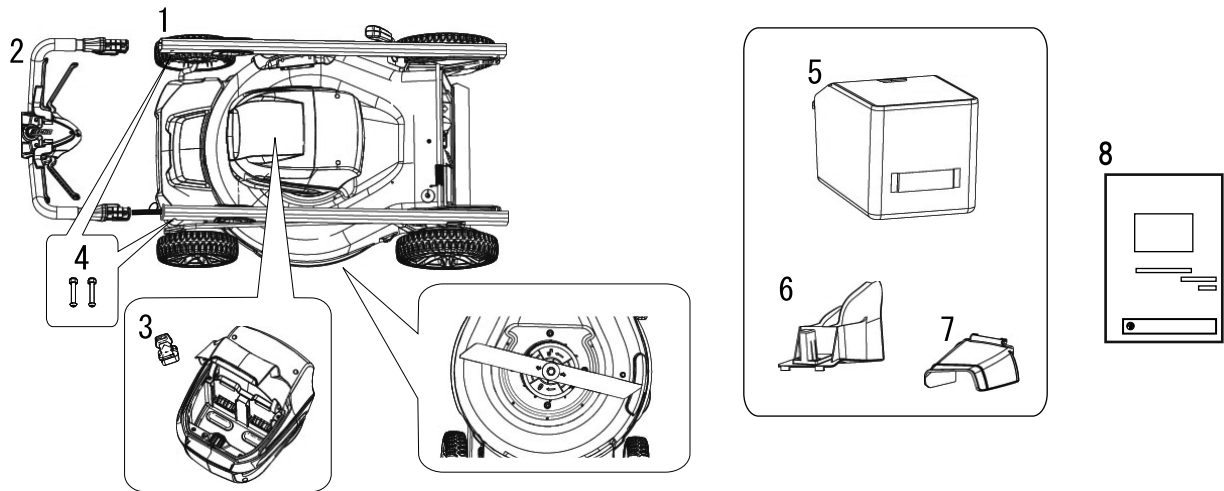


1. **Tête de sortie** fixée à l'arbre de sortie du moteur et équipée d'un ventilateur permettant de refroidir l'appareil.
2. **Lame de coupe** lame métallique fixée sur la tête de sortie (1), pour la coupe du gazon et des mauvaises herbes.
3. **Cartier de tonte** pièce destinée à protéger l'utilisateur et les autres personnes contre les projections et le contact accidentel avec la tête de sortie.
4. **Protecteur arrière** pièce destinée à protéger l'utilisateur contre les projections et le contact accidentel avec la tête de sortie.
5. **Roue** pièce permettant de déplacer l'appareil et assurant son autotraction.
6. **Boîtier de batteries** partie fournissant l'électricité nécessaire pour la rotation de la lame de coupe et des roues.
7. **Bloc-batterie** batterie rechargeable.
8. **Compartment des batteries** espace dans lequel se logent les batteries.
9. **Clé de sécurité** pièce permettant de connecter et de déconnecter électriquement la batterie et l'appareil.
10. **Éclairage DEL** éclairage des alentours.
11. **Levier de réglage de hauteur** pièce permettant de modifier la hauteur de coupe.
12. **Guidon supérieur** commande de l'appareil à l'aide des poignées, boutons et interrupteurs.
13. **Guidon inférieur** pièce reliant le guidon supérieur (10) à la lame de coupe (1) et aux roues (4).
14. **Bouton d'alimentation** avec les autres interrupteurs, commande permettant d'actionner la lame de coupe (2) et les roues (4).
15. **Interrupteur à levier** commande permettant d'actionner la lame de coupe (2).
16. **Levier de commande de traction** commande permettant d'actionner les roues (4).
17. **Panier à herbe** partie permettant de recueillir l'herbe en mode ramassage.
18. **Obtuteur de mulching** pièce obturant le passage de l'herbe vers l'arrière en mode mulching et éjection latérale.
19. **Goulotte d'éjection latérale** pièce assurant le passage de l'herbe vers le côté en mode éjection latérale.

# Avant de commencer

## Contenu de l'emballage

- ♦ Les pièces suivantes sont conditionnées séparément dans le carton d'emballage.
- ♦ Lors de l'ouverture du carton, passer en revue les pièces qu'il contient.
- ♦ Contacter un revendeur si une pièce est manquante ou endommagée.



1. Corps de l'appareil et lame de coupe
2. Guidon supérieur
3. Clé de sécurité
4. Vis et écrou

5. Panier à herbe
6. Obturateur de mulching
7. Goulotte d'éjection latérale
8. Manuel d'utilisation

# Avant de commencer

## Chargement de la batterie

### **⚠ AVERTISSEMENT**

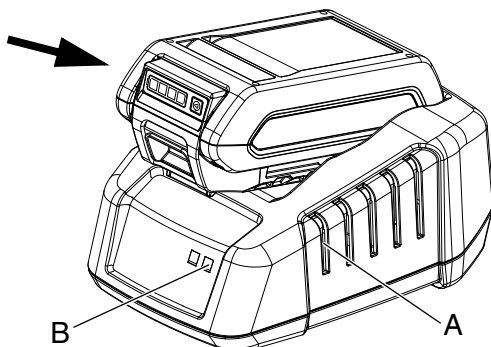
- Utiliser uniquement la batterie dédiée et la charger avec le chargeur dédié. Se reporter au chapitre « Caractéristiques ».
- Garder le chargeur et la batterie à l'abri de l'humidité et de tous les liquides.
- Ne pas utiliser le chargeur sur une surface facilement inflammable (telle que du papier ou du textile) ou dans un environnement présentant un risque d'incendie élevé.
- Ne pas couvrir le chargeur. Couvrir le chargeur l'empêcherait de se refroidir.
- Ne pas utiliser le chargeur dans une atmosphère explosible, par exemple en présence de liquides, gaz ou poussières inflammables. Les chargeurs peuvent produire des étincelles qui peuvent enflammer des poussières ou des vapeurs – il existe un risque d'explosion.
- Brancher le chargeur uniquement sur une alimentation correspondant à la tension et à la fréquence spécifiées sur la plaque signalétique.
- Brancher le chargeur uniquement sur une prise murale aisément accessible.
- Ne jamais insérer d'objet dans les événements de refroidissement du bloc-batterie ou du chargeur (A).
- Ne pas charger ni utiliser un bloc-batterie et un chargeur défectueux, endommagés ou déformés.
- Ne pas ouvrir, endommager ou faire tomber le bloc-batterie ou le chargeur.
- Une batterie endommagée ou mal utilisée risque de fuir ; éviter tout contact avec la peau. En cas de contact accidentel, laver abondamment à l'eau et au savon les parties touchées. Si du liquide pénètre dans l'œil, ne pas frotter. Rincer abondamment les yeux à l'eau pendant au moins 15 minutes. Consulter également un médecin.
- Ne jamais ponter (court-circuiter) les contacts du bloc-batterie ou les bornes du chargeur avec des objets métalliques.
- Protéger d'une exposition directe au soleil, à la chaleur et à toute flamme nue et ne jamais jeter la batterie au feu ; il existe un risque d'explosion.
- Si de la fumée ou des flammes se dégagent du chargeur, débrancher immédiatement celui-ci de la prise murale.
- Si le cordon d'alimentation est endommagé, débrancher immédiatement la fiche de l'alimentation électrique pour éviter tout risque de choc électrique.
- Ne pas exposer le bloc-batterie à des ondes d'hyperfréquence ou à une pression élevée.
- Prendre les mesures requises pour empêcher une mise en route intempestive. Retirer le bloc-batterie de l'appareil avant de transporter ou de ranger celui-ci. Ne pas utiliser un récipient en métal pour transporter les batteries.
- Ne pas utiliser le cordon d'alimentation à d'autres fins, par exemple pour transporter ou suspendre le chargeur.
- Pour réduire le risque de trébuchement, positionner et signaler le cordon d'alimentation de telle manière qu'il ne puisse pas être endommagé et de façon à ce qu'il ne constitue un danger pour personne.
- Pour débrancher, saisir la fiche et non le cordon.

### **REMARQUE**

- La batterie est partiellement chargée lorsqu'elle quitte l'usine ; il convient de la charger entièrement avant la première utilisation.
- Charger la batterie lorsqu'elle ne produit plus suffisamment de courant pour faire fonctionner l'appareil ou lorsque les voyants indiquent qu'elle est déchargée.

### **IMPORTANT**

- Utiliser le chargeur de batteries à une température comprise entre 5 et 40 °C.

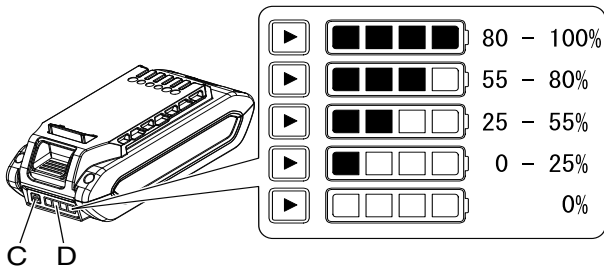


1. Brancher le cordon secteur du chargeur dans la prise murale.
2. Aligner les nervures de la batterie sur les rainures du chargeur et faire coulisser la batterie dans le chargeur.
3. Pendant la charge normale, la DEL (B) du chargeur clignote en continu en VERT.

### **IMPORTANT**

- Si le chargeur détecte un problème, la DEL clignote en ROUGE. Retirer la batterie du chargeur, nettoyer les contacts et réinstaller la batterie dans le chargeur. Si la batterie n'est pas dans la plage de température acceptable (de 0 à 60 °C), la DEL reste allumée en ROUGE.

# Avant de commencer



4. Lorsque la charge est terminée, la DEL reste allumée en VERT.
5. Vérifier que la batterie est entièrement chargée en la retirant du chargeur et appuyant sur le bouton d'état de charge de la batterie (C). Vérifier les indications données par les DEL (D).
6. Débrancher le chargeur de batteries de l'alimentation électrique.

# Avant de commencer

## Assemblage

### **⚠ AVERTISSEMENT**

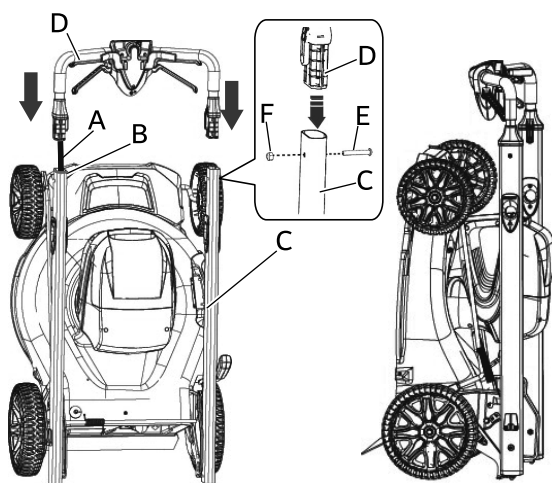
- Lire attentivement le manuel d'utilisation pour s'assurer que l'appareil est monté correctement. L'utilisation d'un appareil monté de façon incorrecte entraîne un risque d'accident ou de blessure grave.



## Montage du guidon supérieur

### **IMPORTANT**

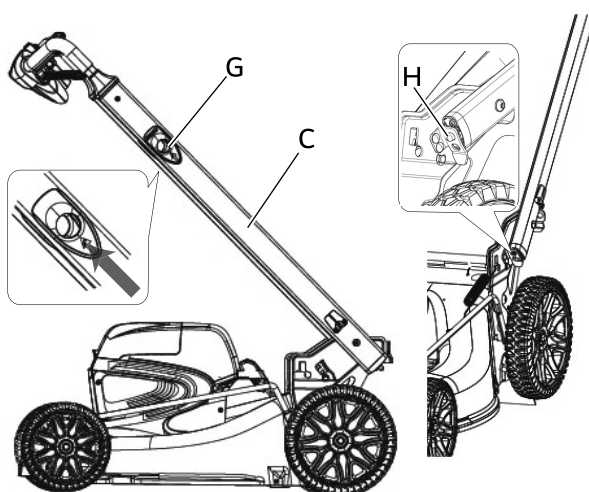
- Ne pas endommager le câble pendant la pose du guidon supérieur.



1. Placer l'appareil debout en position verticale.
2. Retirer la garniture du câble (A).
3. Retirer l'embout de protection en caoutchouc (B) du guidon inférieur (C).
4. Insérer le guidon supérieur (D) dans le guidon inférieur (C).
5. Placer les vis (E) dans les trous et les serrer avec les écrous (F) à l'aide d'un tournevis (non fourni).

### **IMPORTANT**

- Veiller à ce que les deux ergots du guidon soient dans la même position lorsque le guidon inférieur est déplié.



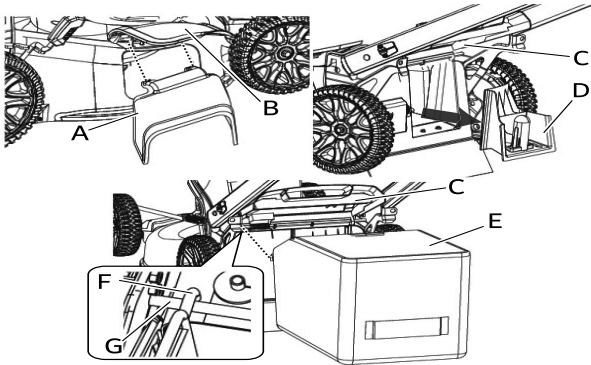
6. Mettre l'appareil en position horizontale.
7. Tirer les trous du guidon (G) vers le haut pour libérer le guidon inférieur (C).
8. Déplier le guidon inférieur (C) jusqu'à ce que les ergots du guidon (H) se verrouillent en position.

## Montage des trois fonctions

### IMPORTANT

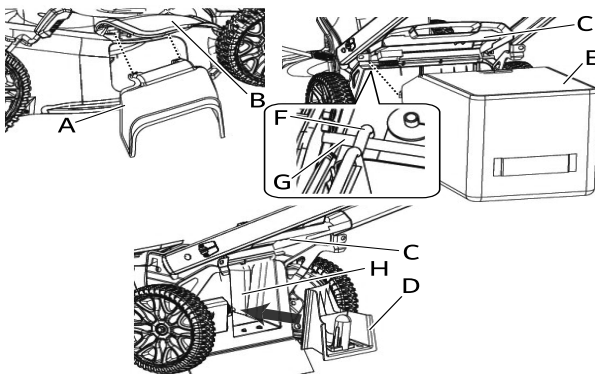
○ Généralement, une tondeuse à gazon possède trois fonctions (ramassage avec panier arrière/mulching/éjection latérale). Il est possible de passer de l'une des fonctions à l'autre en changeant d'accessoires.

#### Ramassage avec panier arrière



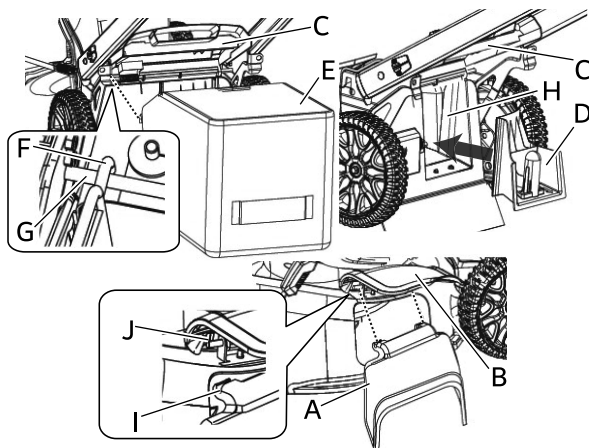
1. Retirer le bloc-batterie et la clé de sécurité.
2. Retirer la goulotte d'éjection latérale (A).
3. Fermer le volet d'éjection latérale (B).
4. Ouvrir le volet d'éjection arrière (C) et retirer l'obturateur de mulching (D).
5. Ouvrir le volet d'éjection arrière (C) et engager les crochets (F) sur la tringle de volet (G) pour mettre en place le panier à herbe.
6. Abaisser le volet d'éjection arrière (C).

#### Mulching



1. Retirer le bloc-batterie et la clé de sécurité.
2. Retirer la goulotte d'éjection latérale (A).
3. Fermer le volet d'éjection latérale (B).
4. Désengager les crochets (F) de la tringle de volet (G) et retirer le panier à herbe (E).
5. Ouvrir le volet d'éjection arrière (C) et le fixer sur la goulotte d'éjection arrière (H) pour mettre en place l'obturateur de mulching (D).
6. Abaisser le volet d'éjection arrière (C).

#### Éjection latérale



### ⚠ AVERTISSEMENT

- En cas d'utilisation de la goulotte d'éjection latérale,
- ♦ ne pas mettre en place le panier à herbe.
  - ♦ Laisser l'obturateur de mulching en place.

1. Retirer le bloc-batterie et la clé de sécurité.
2. Désengager les crochets (F) de la tringle de volet (G) et retirer le panier à herbe (E).
3. Mettre en place l'obturateur de mulching (D) et le fixer dans la goulotte d'éjection arrière (H).
4. Fermer le volet d'éjection arrière (C).
5. Ouvrir le volet d'éjection latérale (B) et aligner les encoches (I) de la goulotte d'éjection latérale (A) sous le pivot (J).
6. Abaisser le volet d'éjection latérale (B).

#### Réglage de la hauteur de coupe

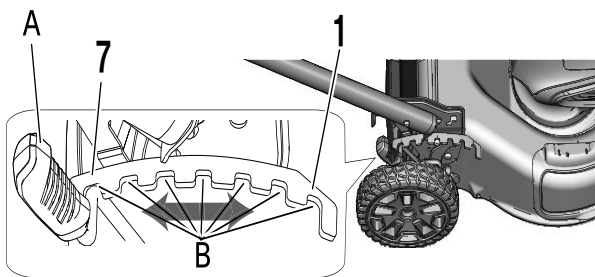
### ⚠ AVERTISSEMENT

○ Ne jamais tenter de procéder à un réglage de la hauteur de coupe tandis que la lame de coupe ou les roues tournent.

# Avant de commencer

## REMARQUE

- Il est possible de régler l'appareil à différentes hauteurs de coupe en fonction du travail à effectuer.



1. Placer le levier de réglage de hauteur (A) dans l'une des encoches (B) pour changer la hauteur de coupe, vers l'arrière pour l'augmenter (7←) ou vers l'avant pour la diminuer (→1).

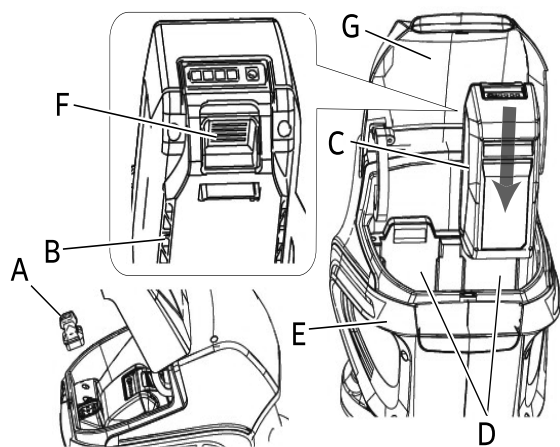
## Pose et retrait de la batterie

### ⚠ AVERTISSEMENT

- L'appareil fonctionne lorsque la batterie est en place dès que l'on actionne le bouton d'alimentation, l'interrupteur à levier ou le levier de commande de traction. Veiller à positionner l'appareil correctement pour éviter toute perte de contrôle et un éventuel accident grave. Garder l'appareil à l'écart des objets qu'il pourrait happer, projeter ou percuter.
- Ne pas presser l'interrupteur à levier ou le levier de commande de traction pendant l'installation de la batterie.
- Ne pas mettre les mains ou les pieds à proximité des pièces en rotation ni sous le carter de tonte.
- Retirer la batterie avant de laisser l'appareil sans surveillance.

## REMARQUE

- L'appareil possède une fonction de commutation automatique pour deux blocs-batteries, ce qui permet à un second bloc-batterie de prendre le relais lorsque le premier est inopérant.
- Le bloc-batterie est partiellement chargé lorsqu'il quitte l'usine ; il convient de le charger entièrement avant la première utilisation.
  - Voir le manuel d'utilisation fourni avec le bloc-batterie.



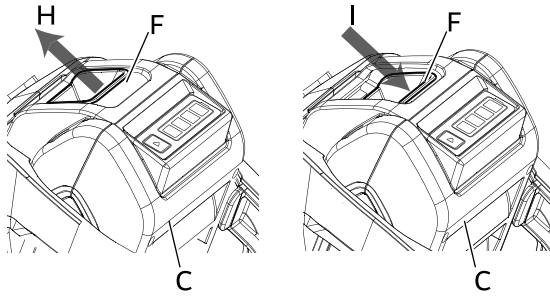
- A. Clé de sécurité
- B. Nervure
- C. Bloc-batterie
- D. Rainure

- E. Boîtier de batteries
- F. Verrou de bloc-batterie
- G. Volet du boîtier de batteries

### Pose de la batterie

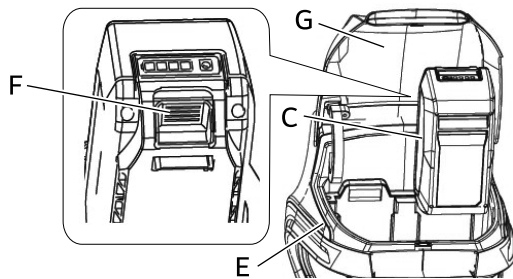
1. Relâcher l'interrupteur à levier et le levier de commande de traction.
2. S'assurer que la lame et les roues sont à l'arrêt.
3. Ouvrir le volet du boîtier de batteries (G) et retirer la clé de sécurité (A).
4. Aligner les nervures (B) du bloc-batterie (C) sur les rainures (D) dans le boîtier de batteries (E) et insérer la batterie jusqu'à ce que le verrou de bloc-batterie (F) soit en position fermée.
5. Insérer la clé de sécurité (A).
6. Fermer le volet du boîtier de batteries (G).

# Avant de commencer



H. Position fermée  
I. Position non fermée

F. Verrou de bloc-batterie  
C. Bloc-batterie



G. Volet du boîtier de batteries  
F. Verrou de bloc-batterie

E. Boîtier de batteries

## IMPORTANT

- Avant d'utiliser l'appareil, s'assurer que la batterie est correctement mise en place et que le verrou de bloc-batterie est en position fermée.

## REMARQUE

- ♦ Le verrou de bloc-batterie (F) est en position fermée lorsqu'il est correctement engagé.

### Retrait de la batterie

1. S'assurer que la lame et les roues sont à l'arrêt.
2. Ouvrir le volet du boîtier de batteries (G).
3. Retirer la clé de sécurité.
4. Pour retirer la batterie, enfoncer le verrou de bloc-batterie (F) et extraire la batterie du boîtier de batteries (E).
5. Fermer le volet du boîtier de batteries (G).

# Fonctionnement

## DANGER

- Tous les conducteurs électriques aériens et les câbles de télécommunication peuvent avoir une alimentation électrique à haute tension. Cet appareil n'est pas isolé par une protection contre les courants électriques. Ne jamais toucher les câbles directement ou indirectement, au risque de provoquer un accident grave voire mortel.

## AVERTISSEMENT

- Ne pas utiliser l'appareil dans une atmosphère explosible, par exemple en présence de liquides, gaz ou poussières inflammables. L'appareil crée des étincelles qui peuvent enflammer des poussières ou des vapeurs.

Veiller à bien respecter les précautions suivantes lors de la mise en marche de l'appareil :

- Vérifier que tous les écrous et toutes les vis sont bien serrés.
- Vérifier qu'une clé à douille ou un autre outil de blocage ne sont pas restés posés sur la partie tournante de l'appareil.
- Établir un périmètre de sécurité autour de l'appareil et s'assurer que personne ni aucun animal ne se trouve à proximité.

Le non-respect de ces précautions constitue un risque d'accident grave voire mortel.

- Au démarrage de l'appareil, vérifier l'absence de vibrations et de sons anormaux. Ne pas utiliser l'appareil en cas de vibrations ou de sons anormaux. S'adresser à un revendeur pour faire effectuer les réparations nécessaires.

La chute ou la rupture accidentelle de pièces constitue un risque de blessures graves.

- Toujours éteindre l'appareil et retirer la batterie avant de transporter l'appareil.

- Ne pas toucher le renvoi d'angle et autres composants à haute température tandis que l'appareil fonctionne et pendant la phase qui suit l'arrêt de l'appareil.

Il existe un risque de brûlure en cas de contact avec un composant à haute température.

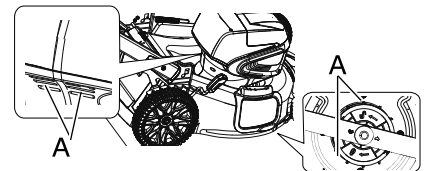


- Ne jamais utiliser l'appareil en se penchant trop en avant et veiller à rester bien en équilibre à tout moment. Veiller à être toujours bien d'aplomb sur les terrains en pente et à marcher ; ne jamais courir.

- Ne jamais utiliser l'appareil si des carters sont défectueux, sans clé de sécurité ou lorsque le cordon est endommagé ou usé.

## IMPORTANT

- Toujours garder les fentes de ventilation (A) propres.



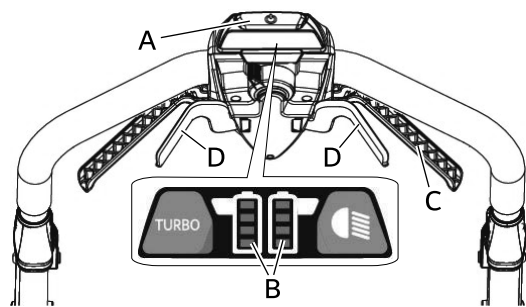
## Mise en marche de l'appareil

### AVERTISSEMENT

- Lorsque la batterie est en place, si l'on appuie sur le bouton d'alimentation et sur l'interrupteur à levier ou sur le levier de commande de traction, la lame de coupe et les roues commencent à tourner. Veiller à positionner l'appareil correctement pour éviter toute perte de contrôle et un éventuel accident grave.

## IMPORTANT

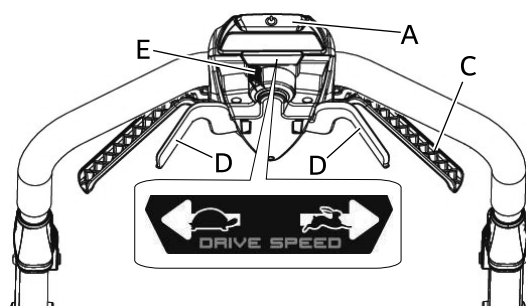
- Utiliser l'appareil et la batterie à une température comprise entre 0 et 40 °C.
- Avant d'installer le bloc-batterie et la clé de sécurité, examiner le carter de tonte pour s'assurer qu'aucune herbe n'est prise dans la lame. Après s'être muni de gants épais, vérifier qu'il est possible de faire tourner la lame librement et horizontalement à la main.



1. S'assurer que la clé de sécurité est bien insérée dans la fente du compartiment des batteries.
2. Appuyer sur le bouton d'alimentation (A) et presser l'interrupteur à levier (C) ou le levier de commande de traction.
  - \* La DEL du témoin d'alimentation (B) s'allume et indique le niveau de charge. Contrôler le niveau de charge.
3. Relâcher le bouton d'alimentation (A), l'interrupteur à levier (C) et le levier de commande de traction (D). Après quelques instants, la DEL du témoin d'alimentation (B) s'éteint automatiquement.
4. Garder le bouton d'alimentation (A) enfoncé et presser l'interrupteur à levier (C). La lame de coupe commence à tourner à la vitesse normale de fonctionnement.
5. Relâcher le bouton d'alimentation (A). La lame de coupe continue à tourner à la vitesse normale de fonctionnement.
  - \* Si l'on relâche l'interrupteur à levier (C), la lame de coupe s'arrête.

### Mode poussé.

- (1) Il est possible de déplacer l'appareil en le poussant.



### Mode autotracté.

- (1) Agir sur la molette de vitesse de déplacement (E) pour choisir la vitesse de déplacement.
  - \* Tourner la molette en direction du symbole du lièvre pour augmenter la vitesse de déplacement et en direction du symbole de la tortue pour la diminuer.
- (2) Presser le levier de commande de traction (D). Les roues commencent à tourner et font avancer l'appareil à la vitesse réglée à l'aide de la molette.
  - \* Si l'on relâche le levier de commande de traction (D), les roues s'arrêtent et l'appareil s'immobilise.
  - \* Après avoir relâché l'interrupteur à levier (C), lorsque l'on maintient le bouton d'alimentation (A) enfoncé tout en pressant le levier de commande de traction (D), les roues commencent à tourner.
  - \* Lorsque l'appareil avance, il est possible de régler sa vitesse de déplacement à l'aide de la molette (E).

## IMPORTANT

- Ne jamais tirer l'appareil vers soi lorsqu'il est en mode autotracté. S'il est nécessaire d'écartier l'appareil d'un mur ou d'un obstacle, regarder d'abord derrière soi pour éviter de trébucher, puis procéder comme suit :
  - (1) Relâcher l'interrupteur à levier et le levier de commande de traction.
  - (2) S'écartier de la tondeuse de façon à allonger entièrement les bras.
  - (3) Veiller à garder un bon équilibre.
  - (4) Reculer lentement l'appareil.
- \* Avant et pendant le recul de l'appareil, regarder derrière soi et vers le bas pour repérer les enfants en bas âge ou les autres personnes présentes.
- Si l'appareil heurte un corps étranger, procéder comme suit :
  - (1) Relâcher l'interrupteur à levier et le levier de commande de traction.
  - (2) Retirer la clé de sécurité et les batteries.
  - (3) Rechercher d'éventuels dégâts.
  - (4) Réparer les éventuelles pièces endommagées avant de faire fonctionner à nouveau l'appareil.

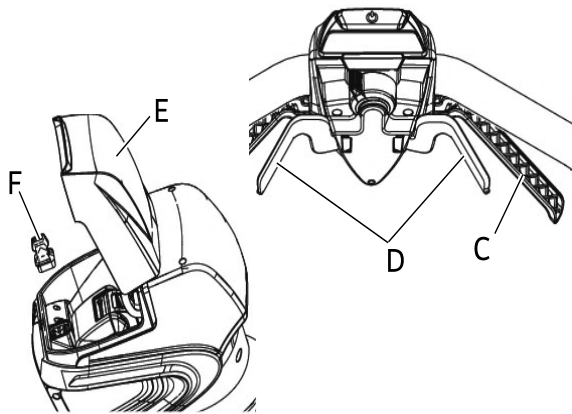


### Arrêt de l'appareil

## ⚠ AVERTISSEMENT

- La lame de coupe et les roues continuent à tourner pendant une courte durée lorsque l'appareil est éteint.
- Si la lame ou les roues ne s'immobilisent pas lorsque l'on relâche l'interrupteur à levier et le levier de commande de traction, ouvrir le volet du boîtier de batteries et retirer la clé de sécurité et la batterie pour couper l'alimentation de l'appareil. Demander au revendeur-réparateur agréé de procéder aux réparations nécessaires avant d'utiliser à nouveau l'appareil.

# Fonctionnement

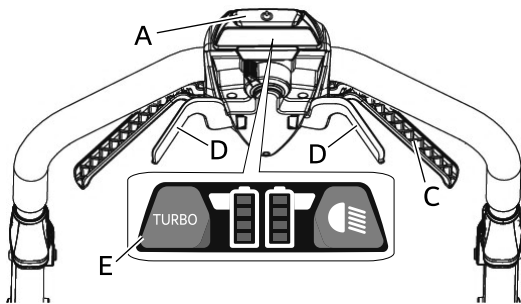


1. Relâcher l'interrupteur à levier (C) et le levier de commande de traction (D) afin d'immobiliser la lame de coupe et les roues.
  - \* Si l'on maintient l'interrupteur à levier (C) enfoncé tout en relâchant le levier de commande de traction (D), la lame de coupe continue à tourner. Si l'on presse ensuite le levier de commande de traction (D), les roues recommencent à tourner et à faire avancer l'appareil.
  - \* Si l'on maintient le levier de commande de traction (D) enfoncé tout en relâchant l'interrupteur à levier (C), les roues continuent à tourner et à faire avancer l'appareil. Si l'on presse ensuite l'interrupteur à levier (C), la lame de coupe recommence à tourner.
  - \* Lorsque le travail est terminé, ouvrir le volet du boîtier de batteries (E) et retirer la clé de sécurité (F) ainsi que la batterie.

## Mode turbo de la lame de coupe

### REMARQUE

Il est possible d'utiliser la lame à vitesse accélérée en mode turbo.

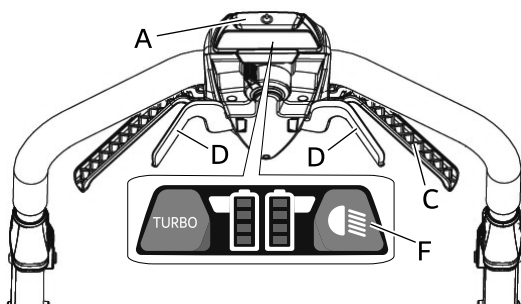


1. Tout en actionnant le bouton d'alimentation (A), l'interrupteur à levier (C) ou le levier de commande de traction (D), appuyer sur le bouton turbo (E). L'appareil passe alors en mode turbo et le voyant du bouton turbo (E) s'allume.
  - \* Il est également possible de passer en mode turbo tandis que la lame de coupe et les roues sont en fonctionnement.
  - \* Lorsque la lame ou les roues sont déjà en fonctionnement, appuyer uniquement sur le bouton turbo (E). Ceci permet de passer en mode turbo.
2. Appuyer à nouveau sur le bouton turbo (E) pour désactiver le mode turbo. Le voyant s'éteint.

## Mode éclairage

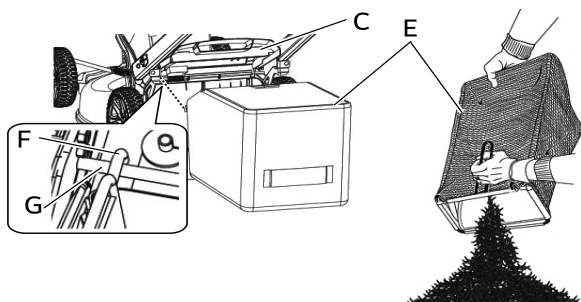
### ⚠ AVERTISSEMENT

○ L'appareil est équipé d'un éclairage DEL. Ne pas fixer le faisceau du regard et porter des protections oculaires pendant l'entretien.



1. Tout en actionnant le bouton d'alimentation (A), l'interrupteur à levier (B) ou le levier de commande de traction (D), appuyer sur le bouton de l'éclairage DEL (F). Le mode éclairage est activé. Lorsque l'on actionne la lame ou les roues, l'éclairage DEL s'allume.
  - \* Il est également possible de passer en mode éclairage tandis que l'appareil est en fonctionnement.
  - \* Lorsque la lame ou les roues sont déjà en fonctionnement, appuyer uniquement sur le bouton de l'éclairage DEL (F). Ceci permet de passer en mode éclairage.
2. Appuyer à nouveau sur le bouton de l'éclairage DEL (F). Le mode éclairage est désactivé.
3. Appuyer à nouveau uniquement sur le bouton de l'éclairage DEL (F). Le mode éclairage est activé.

## Vidage du panier à herbe

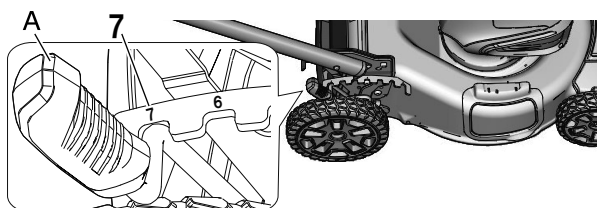


1. Retirer la clé de sécurité et les blocs-batteries.
2. Ouvrir le volet d'éjection arrière (C) et désengager les crochets (F) de la tringle de volet (G) pour retirer le panier à herbe (E).
3. Fermer le volet d'éjection arrière (C).
4. Vider le panier à herbe (E).

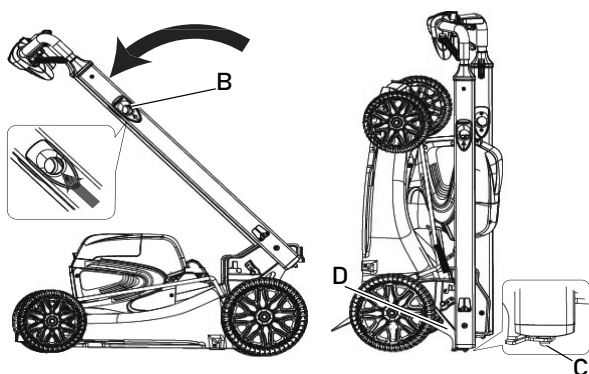
## Rangement vertical

### IMPORTANT

- Il est possible de ranger l'appareil verticalement.
- Si l'on souhaite ranger l'appareil verticalement, il convient de le placer sur un sol plat pour l'empêcher de se renverser.
- Ne pas ranger l'appareil sans avoir préalablement effectué les opérations d'entretien préventif spécifiques au remisage.



1. Retirer la clé de sécurité et le bloc-batterie.
2. Retirer le panier à herbe.
3. Placer le levier de réglage de hauteur (A) dans la position 7.



4. Tirer les trous du guidon (B) pour libérer les guidons.
5. Plier les guidons jusqu'à ce que les ergots du guidon (C) se verrouillent en position.
6. Poser l'appareil verticalement et s'assurer que les pattes (D) touchent le sol.

## Indication d'erreurs

### IMPORTANT

- Le nombre de bips sonores fournit des informations pour la résolution des problèmes.

# Fonctionnement

Nombre de bips sonores	Symptôme	Solution
1	L'appareil ne démarre pas.	S'adresser au revendeur agréé.
2	L'appareil cesse de fonctionner.	Laisser l'appareil refroidir. Si le problème persiste, s'adresser au revendeur agréé.
3	L'appareil ne démarre pas.	Rechercher une corrosion ou des débris sur le bloc-batterie et les bornes. Si le problème persiste, s'adresser au revendeur agréé.
4	L'appareil démarre puis s'arrête ou ne démarre pas.	Démarrer l'appareil, d'abord sans effectuer de coupe complète, puis passer à une coupe normale. Si le problème persiste, s'adresser au revendeur agréé.
5	L'appareil ne démarre pas.	Charger entièrement le bloc-batterie et réessayer. Si le problème persiste, s'adresser au revendeur agréé.
6	L'appareil cesse de fonctionner	Laisser la batterie refroidir. Si le problème persiste, s'adresser au revendeur agréé.
7	L'appareil démarre puis s'arrête ou ne démarre pas.	Amener l'appareil sur un terrain de niveau et réessayer. Si le problème persiste, s'adresser au revendeur agréé.
8	La lame ne tourne pas.	Retirer les batteries et la clé de sécurité, éliminer le bourrage et réessayer.
9	L'appareil n'atteint pas la vitesse maximale.	Démarrer l'appareil, d'abord sans effectuer de coupe complète, puis passer à une coupe normale. Si le problème persiste, s'adresser au revendeur agréé.

- ♦ En cas de problème différent de ceux décrits dans le tableau ci-dessus, consulter un revendeur.
- ♦ S'adresser à un revendeur pour la mise au rebut de l'appareil ou de ses composants conformément à la législation nationale en vigueur.

# Utilisation de l'appareil

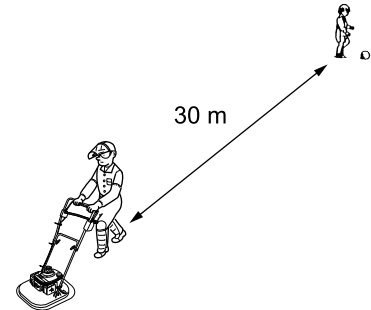
## DANGER

- **Toujours arrêter l'appareil et retirer la clé de sécurité et la batterie en cas de blocage de la lame de coupe et des roues.**

Après déblocage de la lame et les roues, l'appareil peut démarrer soudainement, entraînant ainsi un risque d'accident grave.

- **La zone comprise dans un rayon de 30 m autour de l'appareil est une zone dangereuse. Veiller à bien respecter les précautions suivantes lors de l'utilisation de l'appareil.**

- ◆ **Ne pas laisser des enfants ou d'autres personnes ni des animaux pénétrer dans la zone dangereuse.**
- ◆ **Si quelqu'un pénètre dans la zone dangereuse, couper l'entraînement de la lame et des roues pour les immobiliser.**
- ◆ **Lorsqu'une personne s'approche de l'utilisateur, elle doit lui signaler sa présence en lançant des brindilles, par exemple, sans entrer dans la zone dangereuse. Elle doit ensuite vérifier que la lame et les roues ont été arrêtées et se sont immobilisées.**
- ◆ **Si l'appareil est utilisé par plusieurs personnes, celles-ci doivent convenir entre elles des signaux à utiliser et travailler à plus de 30 mètres les unes des autres.**

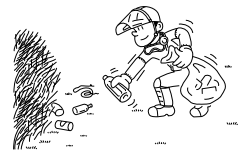


Toute projection d'objet par ricochet sur la lame de coupe et les roues et tout contact avec l'appareil entraîne un risque d'accident mortel ou pouvant causer une cécité.

## AVERTISSEMENT

- **Avant de commencer à travailler, contrôler la zone et enlever les petites pierres et les canettes vides susceptibles d'être projetées par ricochet sur l'appareil, notamment sur la lame de coupe et les roues, ainsi que les éventuels morceaux de ficelle ou de fil de fer qui pourraient s'entortiller autour de la lame ou des roues. Prévoir le plan de tonte de façon à éviter d'éjecter des matières en direction des routes, des allées, des passants, etc.**

Un risque de projection pouvant entraîner un accident ou une blessure grave peut survenir lorsqu'un objet ricoche sur l'appareil ou lorsqu'un fil ou d'autres matières s'enroulent autour de la lame ou des roues.



- **Dans les situations suivantes, éteindre immédiatement l'appareil, attendre que la lame de coupe et les roues soient complètement immobilisées et retirer la clé de sécurité et les batteries avant d'inspecter les composants de l'appareil. Remplacer toute pièce endommagée.**

- ◆ **Si l'appareil, notamment la lame de coupe, heurte une pierre, un arbre, un poteau ou tout autre obstacle en cours d'utilisation.**
- ◆ **Si l'appareil se met à vibrer soudainement de façon anormale.**

L'utilisation prolongée de pièces endommagées entraîne un risque d'accident ou de blessure grave.

- **Ne pas utiliser l'appareil sur des pentes raides de plus de 15 degrés.**

Les pentes sont à l'origine d'un nombre important d'accidents dus à des glissades ou des chutes susceptibles d'entraîner de graves blessures. Toute utilisation sur des pentes exige un surcroît de prudence. Ne pas tondre sur une pente sur laquelle on ne se sent pas à l'aise.

### Transport de l'appareil

- **Avant de transporter l'appareil dans les situations décrites ci-après, couper l'entraînement de la lame de coupe et s'assurer qu'elle a cessé de tourner.**

- ◆ **Se déplacer vers le lieu de travail.**
- ◆ **Se déplacer vers un autre endroit tout en travaillant.**
- ◆ **Quitter le lieu de travail.**

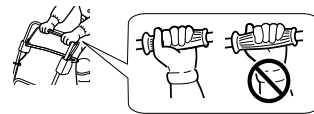
- **Pour transporter l'appareil dans une voiture, retirer le bloc-batterie et s'assurer que l'appareil est bien calé pour éviter qu'il se déplace lors du trajet.**

Le non-respect de ces précautions constitue un risque de brûlure ou de blessure grave.

# Utilisation de l'appareil

## ⚠ AVERTISSEMENT

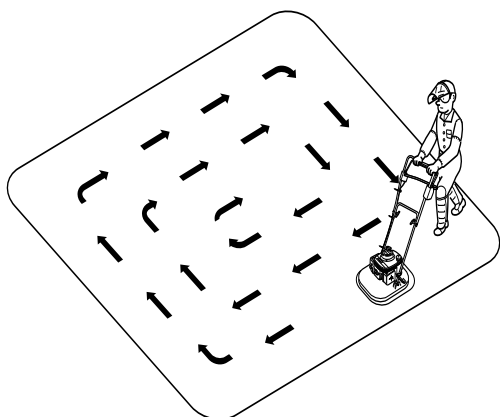
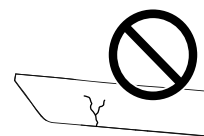
- Ne pas présumer de ces forces, veiller à avoir de bons appuis et garder l'équilibre en permanence.
- En cas de perte d'appui, relâcher immédiatement les commandes. La lame et les roues cessent de tourner dans les trois secondes.
- Passer les pouces autour de la poignée et saisir la poignée en l'enveloppant avec les autres doigts.
- Les poignées et les surfaces de préhension doivent toujours rester propres, sèches et exemptes de toute trace d'huile et de graisse.  
Des poignées et surfaces de préhension glissantes ne permettent pas de guider et de maîtriser l'appareil dans des situations imprévues.



## Utilisation de base de l'appareil avec lame métallique

## ⚠ AVERTISSEMENT

- Respecter les instructions suivantes lors de la tonte.
  - ◆ Vérifier que la lame de coupe et les roues sont bien serrées.
  - ◆ Remplacer le carter de protection, le panier à herbe, l'obturateur de mulching et la goulotte d'éjection latérale s'ils sont endommagés ou fissurés.
  - ◆ Remplacer les écrous de la lame de coupe et des roues lorsqu'ils sont usés.
  - ◆ Ne pas enfoncer la lame dans le sol.
  - ◆ Ne pas utiliser l'appareil si sa lame est émoussée, tordue, fracturée ou décolorée ou si les roues et les écrous sont usés ou endommagés.Le non-respect de cette règle de sécurité entraîne un risque d'accident ou de blessure grave.
- Utiliser uniquement la lame de coupe et les roues recommandées par YAMABIKO Corporation. YAMABIKO décline toute responsabilité en cas de défaillance d'un dispositif de coupe, outil ou accessoire n'ayant pas été testé et approuvé par YAMABIKO en vue d'être utilisé avec cet appareil.
- Le type de lame utilisé doit être adapté au type et à la taille des matières à couper. Une lame inadaptée ou émoussée peut provoquer des blessures graves. Les lames peuvent être tranchantes. Des lames émoussées augmentent le risque d'éjection de débris et de blessures pour l'utilisateur et pour les personnes présentes à proximité. Une lame endommagée ou brisée peut entraîner un risque d'accident ou de blessure grave.
- Lors de la coupe de buissons ou de jeunes arbres sous tension, faire attention à la détente. Lorsque la tension dans les fibres du bois se libère, le buisson ou le jeune arbre peut en se détendant venir frapper l'utilisateur ou lui faire perdre le contrôle de la machine.
- Faire extrêmement attention lors de la coupe de buissons ; en effet, des brindilles risquent de se coincer dans la lame et de fouetter ou de déstabiliser l'utilisateur.  
Le non-respect de cette précaution peut entraîner un risque de blessure ou d'accident mortel.



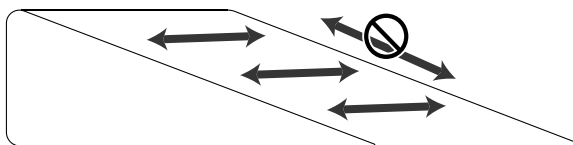
- ◆ Pour les grandes surfaces plates, tondre dans le sens des aiguilles d'une montre, du périmètre vers l'intérieur.
- ◆ Tenir compte du fait que l'herbe mouillée est glissante.
- ◆ Tenir le guidon de l'appareil à deux mains pour travailler et procéder de façon à ce que le carter de protection soit toujours parallèle au sol.
- ◆ Pour les herbes dures et hautes, régler la lame assez haut pour réaliser une première passe, puis tondre une deuxième fois plus bas.
- ◆ L'herbe mouillée est collante. Il convient donc de nettoyer régulièrement l'appareil. Pour le nettoyage, se munir de gants, toujours retirer la clé de sécurité et la batterie et s'assurer que la lame est entièrement immobilisée.

## Utilisation en pente

### AVERTISSEMENT

- Ne pas utiliser l'appareil sur des pentes raides de plus de 15 degrés.
- Faire attention aux trous, racines, rochers, objets cachés ou bosses susceptibles de provoquer des glissades ou des trébuchements. L'herbe haute peut cacher des obstacles. Retirer tous les obstacles tels que les pierres et les branches d'arbre.
- Veiller à disposer d'appuis stables. En cas de perte d'équilibre, relâcher immédiatement les commandes.
- Garder une vitesse de traction réduite.
- Faire preuve d'une extrême prudence lors des changements de direction.
- Ne pas tondre en montant et en descendant.
- Ne pas tondre près des accidents du terrain, fossés ou berges. Ne jamais tondre sur de l'herbe mouillée.

Les pentes sont à l'origine d'un nombre important d'accidents dus à des glissades ou des chutes susceptibles d'entraîner de graves blessures. Toute utilisation sur des pentes exige un surcroît de prudence. Ne pas tondre sur une pente sur laquelle on ne se sent pas à l'aise.



- ◆ Toujours tondre en travers des pentes, jamais en montant ou en descendant.

# Entretien

## **⚠ AVERTISSEMENT**

Respecter les précautions suivantes lors de la vérification et de l'entretien de l'appareil après utilisation :

○ **Mettre l'appareil hors tension, retirer la batterie et s'assurer que toutes les pièces mobiles sont complètement à l'arrêt.**

Il existe un risque d'accident en cas de démarrage intempestif de l'appareil.

○ **Laisser l'appareil refroidir avant d'intervenir dessus.**

Il existe un risque de brûlure.

○ **Ne jamais essayer de réparer des blocs-batteries endommagés. L'entretien des blocs-batteries doit être exclusivement confié au fabricant ou à des agents d'entretien agréés.**

## **IMPORTANT**

○ La vérification et l'entretien nécessitent des connaissances spécialisées. Si l'utilisateur ne possède pas les compétences requises pour effectuer les opérations de vérification et d'entretien de l'appareil ou pour remédier à un dysfonctionnement, il doit consulter un revendeur. Ne pas essayer de démonter l'appareil.

○ Nettoyer la machine avec un chiffon sec. Ne pas utiliser d'eau.

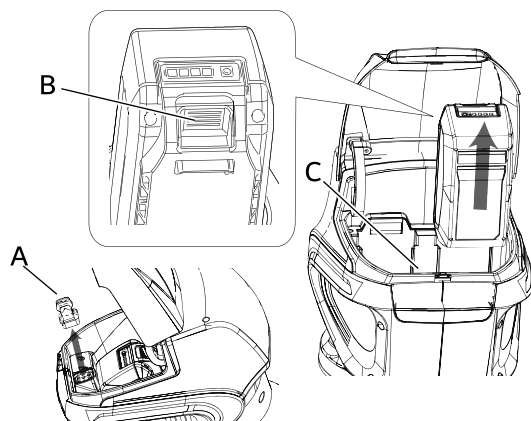
## **Instructions d'entretien de l'appareil**

Zone	Entretien	Page	Avant utilisation	Tous les mois
Batterie, compartiment des batteries	Contrôler/nettoyer/charger	30	•	
Lame de coupe	Contrôler/nettoyer	28, 32	•	
Roues	Contrôler/nettoyer	32	•	
Carter de tonte, protection arrière	Contrôler/nettoyer	32	•	
Goulottes d'éjection	Contrôler/nettoyer	32	•	
Vis, boulons et écrous	Contrôler/serrer/remplacer	-	•	

## **Entretien**

En cas de questions ou de problèmes, s'adresser à un REVENDEUR ECHO.

### **Nettoyage de la batterie et de son logement**



## **⚠ AVERTISSEMENT**

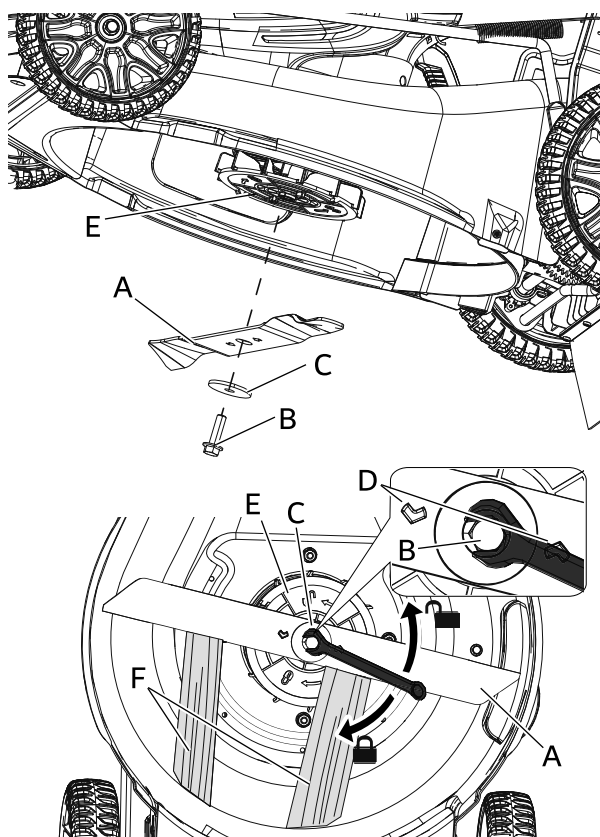
○ **Risque de choc électrique ou d'incendie. Ne pas utiliser de matériaux conducteurs pour nettoyer la batterie ou le compartiment des batteries.**

1. Relâcher le bouton d'alimentation, l'interrupteur à levier et le levier de commande de traction et laisser la lame et les roues s'immobiliser.
2. Retirer la clé de sécurité (A).
3. Appuyer sur le verrou du bloc-batterie (B) et faire glisser le bloc-batterie hors du compartiment des batteries (C).
4. Utiliser de l'air comprimé ou une brosse à poils souples pour enlever les débris de la batterie et du compartiment des batteries (C).

## Pose de la lame

### **⚠ AVERTISSEMENT**

- Porter des gants résistants lors de toute intervention à proximité de la lame.
  - S'il est nécessaire de remplacer la lame de coupe pendant la tonte, relâcher le bouton d'alimentation, l'interrupteur à levier et le levier de commande de traction et s'assurer que la lame et les roues se sont immobilisées et que la clé de sécurité et les batteries ont été retirées.
  - Ne pas essayer de poser la lame de coupe d'une seule main ou sans utiliser une clé ou une douille. Poser la lame de coupe avec précision à l'aide de la clé ou de la douille et la serrer fermement.
  - Ne pas serrer la lame à l'aide d'outils autres qu'une clé ou une douille ; avec un outil pneumatique ou électrique, la lame risquerait d'être serrée de manière excessive, ce qui casserait la vis ou la tête de sortie.
  - Si l'on utilise une vis ou une lame usées, la lame risque de se desserrer. Les remplacer par des pièces neuves.
- Le non-respect de cette règle de sécurité entraîne un risque d'accident ou de blessure grave.



### Dépose

1. Arrêter l'appareil. S'assurer que la lame de coupe (A) est à l'arrêt complet.
2. Retirer la clé de sécurité et les batteries.
3. Examiner la lame de coupe (A) neuve avant de la poser. Vérifier l'affûtage.
4. Utiliser un morceau de bois (F) ou l'outil spécial d'immobilisation de lame de tondeuse pour empêcher la lame de coupe (A) en place de bouger.
5. Desserrer la vis de fixation (B) dans le sens inverse des aiguilles d'une montre avec une clé ou une douille, puis retirer la vis de fixation (B) et l'entretoise (C).
6. Retirer la lame de coupe (A).

### Pose

### **⚠ ATTENTION**

- Bloquer solidement l'arbre de sortie à l'aide d'un morceau de bois ou de l'outil spécial d'immobilisation de lame de tondeuse pour éviter qu'il ne tourne lors du montage de la lame. Sinon, l'écrou de fixation de la lame ne sera pas suffisamment serré.

7. Poser la lame de coupe (A) neuve et s'assurer que les flèches (D) sur la tête de sortie s'alignent sur les orifices de la lame de coupe (A), puis poser l'entretoise (C) et la vis de fixation (B) en tournant la vis de fixation (B) dans le sens des aiguilles d'une montre à la main.

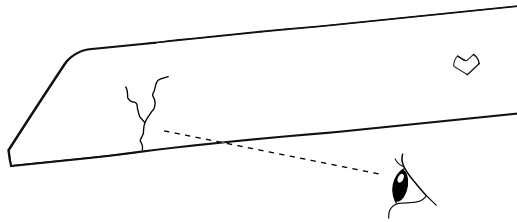
### **⚠ ATTENTION**

- Ne jamais serrer en utilisant le poids du corps. Ceci risquerait de casser le filetage de la vis (B) ou de la tête de sortie (E).

8. Serrer solidement la vis de fixation (B) dans le sens des aiguilles d'une montre avec une clé ou une douille de façon à bloquer l'entretoise (C) et la lame de coupe. Couple de serrage recommandé : 33 à 37 Nm.
9. Retirer le morceau de bois (F) ou l'outil spécial d'immobilisation de lame de tondeuse.
10. Après s'être muni de gants épais, vérifier qu'il est possible de faire tourner la lame librement et horizontalement à la main.

# Entretien

## Vérification de la lame



- ♦ Utiliser uniquement une lame recommandée pour ce modèle par le constructeur.
- ♦ En cas de fissure, remplacer la lame.
- ♦ Vérifier que la lame est correctement fixée, conformément aux instructions.
- ♦ En cas d'ébréchure ou de déformation de la lame, les vibrations émises par l'appareil vont augmenter. Procéder au remplacement de la lame.
- ♦ Nettoyer la lame de coupe.

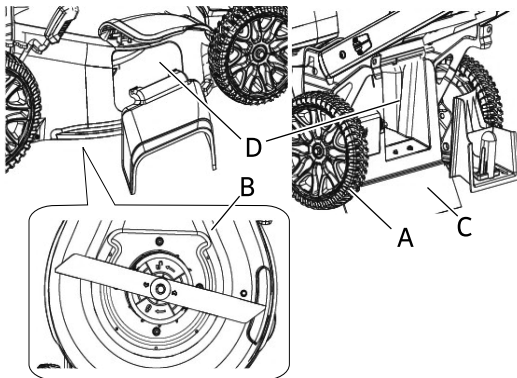
### **ATTENTION**

- Une lame émoussée augmente le risque de réactions de rebond.
- Une légère fissure peut se transformer en fracture et des morceaux de lame peuvent être projetés pendant l'utilisation de l'appareil.
- Si nécessaire, demander à une personne expérimentée d'affûter la lame de manière uniforme.

## Nettoyage de l'appareil

### **ATTENTION**

- Porter des gants résistants lors de toute intervention à proximité de la lame ou des roues.
- Pour le nettoyage de l'appareil, relâcher le bouton d'alimentation, l'interrupteur à levier et le levier de commande de traction et s'assurer que la lame et les roues se sont immobilisées et que la clé de sécurité et les batteries ont été retirées.  
Le non-respect de cette règle de sécurité entraîne un risque d'accident ou de blessure grave.
- Ne pas laisser des liquides de frein, de l'essence, des produits à base de pétrole, des solvants forts ou des détergents venir en contact avec les pièces en plastique.  
Les produits chimiques peuvent endommager les plastiques et les rendre inutilisables.



1. Relâcher le bouton d'alimentation, l'interrupteur à levier et le levier de commande de traction.
2. Retirer la clé de sécurité et les batteries.
3. Nettoyer et contrôler les roues (A), le carter de tonte (B), la protection arrière (C) et les goulottes d'éjection (D).

### **IMPORTANT**

- Retirer l'herbe enroulée autour de l'arbre de la lame de coupe et des axes de roues.

## Guide de dépannage

### IMPORTANT

- En ce qui concerne les pièces de rechange et les consommables, utiliser uniquement des pièces d'origine et les produits et composants recommandés.  
L'utilisation de pièces d'autres marques ou de composants inappropriés peut entraîner un dysfonctionnement.

Problème	Cause	Solution
Voyant rouge du chargeur clignotant ou ne s'allumant pas	<ol style="list-style-type: none"> <li>1. Fiche non branchée dans la prise d'alimentation</li> <li>2. Bloc-batterie mal installé</li> <li>3. Connexion obstruée</li> <li>4. Défaut du chargeur</li> <li>5. Défaut du bloc-batterie</li> </ol>	<ol style="list-style-type: none"> <li>1. Brancher le chargeur</li> <li>2. Contrôler la pose du bloc-batterie</li> <li>3. Réinstaller le bloc-batterie après avoir éliminé ce qui empêche la connexion.</li> <li>4. Consulter un revendeur</li> <li>5. Consulter un revendeur</li> </ol>
L'appareil ne fonctionne pas lorsqu'il est mis en marche	<ol style="list-style-type: none"> <li>1. Bloc-batterie mal installé</li> <li>2. Bloc-batterie déchargé</li> <li>3. Tête de coupe obstruée</li> <li>4. Bloc-batterie hors de la plage de température acceptable</li> <li>5. Herbe coincée entre le carter de protection et la lame de coupe ou les roues.</li> <li>6. Le bloc-batterie peut nécessiter une intervention d'entretien ou un remplacement.</li> </ol>	<ol style="list-style-type: none"> <li>1. Contrôler la pose du bloc-batterie</li> <li>2. Charger le bloc-batterie</li> <li>3. Arrêter l'appareil et nettoyer l'outil de coupe</li> <li>4. Retirer le bloc-batterie et le laisser refroidir</li> <li>5. Retirer la batterie et la clé de sécurité ; rechercher des bourrages sous le carter de protection.</li> <li>6. S'adresser au revendeur ou remplacer la batterie.</li> </ol>
Temps d'utilisation trop court	<ol style="list-style-type: none"> <li>1. Bloc-batterie hors de la plage de température acceptable</li> <li>2. Module électronique de l'appareil trop chaud</li> <li>3. Bloc-batterie déchargé</li> </ol>	<ol style="list-style-type: none"> <li>1. Retirer le bloc-batterie et le laisser refroidir</li> <li>2. Éteindre l'appareil et laisser refroidir</li> <li>3. Charger le bloc-batterie</li> </ol>
L'appareil ne coupe pas l'herbe de manière uniforme.	<ol style="list-style-type: none"> <li>1. Le gazon est dur ou irrégulier.</li> <li>2. La hauteur de coupe est mal réglée.</li> <li>3. La lame de coupe est émoussée.</li> </ol>	<ol style="list-style-type: none"> <li>1. Contrôler la surface de tonte.</li> <li>2. Placer le levier de réglage de hauteur dans une position plus haute.</li> <li>3. Remplacer ou affûter la lame.</li> </ol>
L'appareil est très bruyant et vibre.	<ol style="list-style-type: none"> <li>1. L'arbre de la lame de coupe ou les axes de roue sont tordus.</li> <li>2. La lame de coupe ou les roues sont déséquilibrées.</li> </ol>	<ol style="list-style-type: none"> <li>1. Arrêter l'appareil et rechercher d'éventuels dégâts. S'adresser à un revendeur pour faire effectuer les réparations nécessaires.</li> <li>2. Réparer avant de redémarrer. Si les vibrations persistent, s'adresser au revendeur.</li> </ol>
L'appareil est difficile à pousser ou à faire avancer.	<ol style="list-style-type: none"> <li>1. L'herbe est trop haute ou la hauteur de coupe est trop basse.</li> <li>2. L'arrière du panier à herbe traîne dans l'herbe épaisse.</li> </ol>	<ol style="list-style-type: none"> <li>1. Relever la hauteur de coupe.</li> <li>2. Vider le panier à herbe.</li> </ol>
L'appareil ne broie pas correctement l'herbe.	<ol style="list-style-type: none"> <li>1. Des débris d'herbe mouillée se collent au-dessous du carter de protection.</li> <li>2. L'obturateur de mulching est absent.</li> </ol>	<ol style="list-style-type: none"> <li>1. Retirer le bloc-batterie et nettoyer l'appareil. Attendre que l'herbe sèche avant de tondre.</li> <li>2. Poser l'obturateur de mulching.</li> </ol>

- ♦ En cas de problème différent de ceux décrits dans le tableau ci-dessus, consulter un revendeur.
- ♦ S'adresser à un revendeur pour la mise au rebut de l'appareil ou de ses composants conformément à la législation nationale en vigueur.

# Entretien

## Remisage

### AVERTISSEMENT

○ **Ne pas remisage dans une enceinte où une accumulation de vapeurs inflammables est susceptible de se produire.**

Il existe un risque d'incendie.



Si l'appareil doit être remisage pendant une longue période, respecter les instructions de remisage suivantes.

#### Moteur

1. Mettre l'appareil hors tension.
2. Retirer la clé de sécurité et le bloc-batterie du boîtier de batteries.
3. Éliminer la saleté et les débris accumulés à l'extérieur de l'appareil.
4. Serrer l'ensemble des vis et écrous.
5. Fermer le volet du boîtier de batteries.
6. Remisage l'appareil dans un endroit sec, non poussiéreux et hors de portée des enfants.
7. Remisage l'appareil à une température comprise entre 0 et 40 °C.

#### Batterie

1. Retirer la batterie du boîtier de batteries.
2. Couvrir la batterie.
3. Remisage dans un endroit sec, non poussiéreux et hors de portée des enfants.
4. Remisage à une température comprise entre 0 et 40 °C.
5. Si la batterie est remisage pendant plus d'un an, la charger à environ 40 à 60 % de sa capacité et la remisage à une température comprise entre 10 et 30 °C.

#### Chargeur de batteries

1. Retirer la batterie du chargeur de batteries.
2. Couvrir le chargeur.
3. Débrancher le chargeur de batteries de l'alimentation électrique.
4. Remisage dans un endroit sec, non poussiéreux et hors de portée des enfants.

## Mise au rebut



- ♦ Les pièces plastiques principales de l'appareil portent des codes indiquant la nature de leurs matériaux de composition. Ces codes font référence aux matériaux suivants ; procéder à l'élimination de ces pièces plastiques conformément à la législation locale en vigueur.

Marquage	Matériau
>PA6-GF<	Nylon 6 - fibre de verre
>PP-GF<	Polypropylène - fibre de verre
>PE-HD<	Polyéthylène
>PP<	Polypropylène
>ABS<	Acrylonitrile-butadiène-styrène

- ♦ Si vous ne connaissez pas la procédure à suivre pour vous débarrasser des pièces plastiques, adressez-vous à votre revendeur.
- ♦ La batterie contient du lithium. Effectuer la mise au rebut uniquement dans un site de ramassage désigné.
- ♦ Recycler ou mettre au rebut les batteries au lithium-ion comme il se doit.

# Caractéristiques

		<b>DLM-5100SP</b>		
<b>Dimensions externes :</b> Longueur × largeur × hauteur		1590 × 560 × 1190 mm		
<b>Masse :</b> Sans Batterie, Panier à herbe, Obturateur de mulching, Goulotte d'éjection latérale Appareil avec batterie		27,6 kg 31,7 kg		
<b>Lame de coupe :</b> Tête de coupe métallique Fréquence de rotation maximale de la broche		515 mm 2800 r/min, 3200r/min (Turbo)		
<b>Batterie :</b> Type Tension du bloc		LBP-56V125, LBP-56V250, LBP-50-150, LBP-50-250 Li-ion 56 volts (tension nominale 50,4 V)		
<b>Chargeur :</b> Tension d'entrée du chargeur Temps de charge (approximatif)	V min	LC-56V4A 220-240 CA 38 (LBP-56V125) 75 (LBP-56V250) N/A (LBP-50-150)* N/A (LBP-50-250)*	LCJQ-560 220-240 CA 47 (LBP-56V125) 86 (LBP-56V250) 47 (LBP-50-150) 89 (LBP-50-250)	LCJU-560 220-240 CA 47 (LBP-56V125) 52 (LBP-56V250) 47 (LBP-50-150) 57 (LBP-50-250)
<b>Voyants du chargeur :</b>		DEL rouge – batterie hors de la plage de température de charge DEL rouge clignotante – défaut DEL verte – mise en charge de la batterie terminée DEL verte clignotante – batterie en cours de charge normale		
<b>Niveaux de vibrations :</b> (EN CEI 62841-4-3) Incertitude:K		≤2,5 m/s <sup>2</sup> 1,5		
<b>Niveau de pression sonore :</b> (EN CEI 62841-4-3) <b>Niveau de puissance sonore :</b> (EN CEI 62841-4-3) Incertitude		81,4 dB(A) 94,3 dB(A) 3,0 dB(A)		

\* Ne pas charger la batterie LBP50-150/LBP-50-250 avec le chargeur LC-56V4A.

Ces caractéristiques sont susceptibles d'être modifiées sans préavis.

Les vibrations et émissions sonores pendant l'utilisation réelle de l'appareil peuvent différer des valeurs déclarées selon la façon dont l'outil est utilisé, en particulier en fonction du type de travail effectué.

# Déclaration de conformité

---

Le fabricant soussigné :

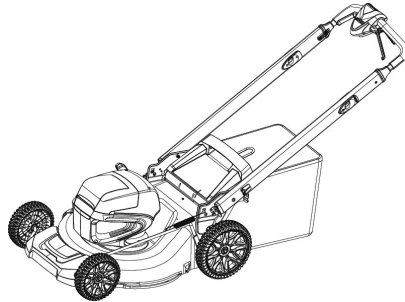
YAMABIKO CORPORATION  
1-7-2 Suehirocho, Ohme, Tokyo 198-8760 JAPON

Cette déclaration de conformité est délivrée sous la seule responsabilité du fabricant.

Déclare que l'appareil neuf désigné ci-après :

## TONDEUSE À GAZON

Marque : ECHO  
Type : DLM-5100SP



Est conforme :

- \* aux exigences de la directive **2006/42/CE** (utilisation de la norme harmonisée **EN 62841-1: 2015+A11:2022, EN CEI 62841-4-3: 2021+A11: 2021**)
- \* aux exigences de la directive **2014/30/UE** (utilisation de la norme harmonisée **EN 55014-1: 2017+A11: 2020, EN 55014-2: 1997+A1: 2001+A2: 2008**)
- \* aux exigences de la directive **2000/14/CE** modifiée par la directive **2005/88/CE**

Procédure d'évaluation de la conformité suivie : **ANNEXE VI**

TÜV Rheinland LGA Products GmbH (organisme notifié 0197)  
Tillystrasse 2, 90431 Nürnberg – Allemagne

Niveau de puissance sonore mesuré : 94 dB(A)

Niveau de puissance sonore garanti : 98 dB(A)

- \* aux exigences de la directive **2011/65/UE** (utilisation de la norme harmonisée **EN CEI 63000: 2018**)

Numéro de série E82335001001 à E82335100000

Tokyo, le 1er Février 2024

## YAMABIKO CORPORATION



**Katsunori Kon**

**Directeur général**  
**Service Assurance qualité**

**Représentant autorisé en Europe, autorisé à constituer le dossier technique.**

Société : CERTIFICATION EXPERTS B.V.

Adresse : Amerlandseweg 7, 3621 ZC Breukelen, Pays-Bas

**M. Richard Glaser**

**Importateur pour la France**

Société : Etablissements P.P.K.

Adresse : Z.I. du Chemin Vert 10/16 rue de l'Angoumois BP 8002  
-95811 ARGENTEUIL CEDEX, France

## NOTES

# YAMABIKO CORPORATION

1-7-2 Suehirocho, Ohme, Tokyo 198-8760 JAPON

TÉLÉPHONE : 81-428-32-6118. FAX : 81-428-32-6145.



X750829-2201



DEUTSCH  
DE (Original Gebrauchsanleitung)

# BEDIENUNGSANLEITUNG

## RASENMÄHER

### DLM-5100SP

#### WARNUNG



LESEN SIE DIE BEDIENUNGSANLEITUNG SORGFÄLTIG DURCH,  
UND BEFOLGEN SIE DIE SICHERHEITSREGELN.  
ANDERNFALLS BESTEHT DAS RISIKO SCHWERER VERLET-  
ZUNGEN.



# Inhalt

---

Wichtige Informationen .....	3
Sichere Verwendung des Produkts .....	4
Beschreibung .....	14
Bevor Sie beginnen .....	15
Packliste .....	15
Laden des Akkus .....	16
Zusammenbau .....	18
Schnitthöhe einstellen .....	20
Einsetzen und Entfernen des Akkus .....	20
Betrieb .....	22
Starten des Geräts .....	22
Stoppen des Geräts .....	23
Turbomodus des Messers .....	24
Scheinwerfer-Modus .....	24
Grasfangkorb leeren .....	25
Gerät in aufrechter Stellung lagern .....	25
Fehleranzeige .....	25
Trimmen .....	27
Einfaches Trimmen mit Metallmesser .....	28
Arbeit an Hängen .....	29
Wartung und Pflege .....	30
Wartungsrichtlinien .....	30
Wartung und Pflege .....	30
Fehlerbehebung .....	33
LAGERUNG .....	34
Entsorgung .....	34
Technische Daten .....	35
Konformitätserklärung .....	36

# Wichtige Informationen

---

**Lesen Sie unbedingt die Bedienungsanleitung, bevor Sie das Produkt verwenden.**

## ○ Bestimmungsgemäßer Gebrauch dieses Produkts

- ♦ Dieses Produkt ist zur Unkrautbekämpfung und zum Mähen vorgesehen.
- ♦ Gebrauchen Sie das Produkt für keinen anderen als den vorgesehenen Zweck.

## ○ Anwender des Produkts

- ♦ Verwenden Sie dieses Produkt erst, nachdem Sie die Bedienungsanleitung sorgfältig gelesen und den Inhalt genau verstanden haben.
- ♦ Erlauben Sie niemals Kindern, Personen mit eingeschränkten körperlichen, sensorischen oder geistigen Fähigkeiten oder mangelnder Erfahrung oder Kenntnis oder Personen, die mit dieser Anleitung nicht vertraut sind, die Maschine zu benutzen. Örtliche Vorschriften können das Alter des Bedieners einschränken.
- ♦ Seien Sie sich bewusst, dass der Benutzer für Unfälle bzw. Gefährdungen anderer Personen oder deren Eigentum verantwortlich ist.

## ○ Allgemeines zu dieser Bedienungsanleitung

- ♦ Diese Bedienungsanleitung enthält wichtige Informationen über die Bedienung und Instandhaltung Ihres Produkts. Bitte lesen Sie sie sorgfältig durch, und machen Sie sich mit dem Inhalt vertraut.
- ♦ Bewahren Sie die Anleitung stets an einem schnell zugänglichen Ort auf.
- ♦ Sollte die Anleitung verloren gehen oder aufgrund von Beschädigungen nicht mehr lesbar sein, besorgen Sie sich bitte eine neue Anleitung von Ihrem ECHO-HÄNDLER.
- ♦ Die in dieser Anleitung verwendeten Einheiten sind SI-Einheiten (Système International d'unités; Internationales Einheitensystem). Zahlenangaben in Klammern sind Referenzwerte, bei denen mitunter geringe Umrechnungsfehler vorliegen können.

## ○ Verleihen oder Übereignen des Produkts

- ♦ Wenn Sie das in dieser Anleitung beschriebene Produkt verleihen, muss die Person, die das Produkt ausleiht und verwendet, auch die zugehörige Bedienungsanleitung erhalten. Wenn Sie das Produkt einer anderen Person übereignen, muss die Bedienungsanleitung zusammen mit dem Produkt ausgehändigt werden.

## ○ Anfragen

- ♦ Wenden Sie sich mit Fragen zum Produkt, zu Ersatzteilen und Reparaturen und dergleichen bitte an Ihren ECHO-HÄNDLER.

## ○ Anmerkungen

- ♦ Um Weiterentwicklungen des Produkts Rechnung zu tragen, bleiben dem Hersteller Änderungen am Inhalt dieser Anleitung vorbehalten. Einige Abbildungen in dieser Anleitung können vom Produkt abweichen, um Sachverhalte klarer darzustellen.
  - ♦ Vor Inbetriebnahme des Produkts müssen einige Teile montiert werden.
  - ♦ Bei Unklarheiten oder Problemen wenden Sie sich bitte an Ihren ECHO-HÄNDLER.
- 
- ♦ Unsere Produkte werden mit Garantien geliefert, die nach dem australischen Verbrauchergesetz nicht ausgeschlossen werden können. Bei einer größeren Fehlfunktion haben Sie Anspruch auf Ersatz oder Rückerstattung und bei allen anderen vernünftigerweise vorhersehbaren Verlusten oder Schäden Anspruch auf Entschädigung. Wenn Produkte keine akzeptable Qualität aufweisen und eine Störung keine größere Fehlfunktion darstellt, sind Sie ebenfalls dazu berechtigt, die Produkte reparieren oder ersetzen zu lassen.
  - ♦ Bei Garantieansprüchen können Sie unsere Karte zur Händlersuche unter [www.echo-australia.com.au/en\\_au/finder](http://www.echo-australia.com.au/en_au/finder) zu Hilfe nehmen oder sich mit uns telefonisch unter 1300 274 447 oder per E-Mail oder Post unter [salesenquires@briggsandstratton.com.au](mailto:salesenquires@briggsandstratton.com.au) bzw. Briggs & Stratton Australia Pty Ltd, Locked bag 5004, St Clair, NSW 2759 in Verbindung setzen, um Angaben zu einem zugelassenen Kundendiensthändler in Ihrer Nähe zu erhalten.

# Sichere Verwendung des Produkts

## Lesen Sie diesen Abschnitt unbedingt durch, bevor Sie das Produkt verwenden.




○ Er enthält wichtige Informationen zum Thema Sicherheit. Befolgen Sie die Anweisungen sorgfältig.

○ Lesen Sie außerdem die Sicherheitshinweise im Hauptteil dieser Bedienungsanleitung.

In Textabschnitten, die mit einem [Diamant]-Symbol beginnen, werden die möglichen Folgen einer Nichtbeachtung von Sicherheitshinweisen beschrieben.


## Warnhinweise

Auf Situationen, in denen eine Verletzungsgefahr für den Bediener und andere Personen besteht, wird in dieser Anleitung und auf dem Produkt selbst durch die nachstehenden Warnhinweise aufmerksam gemacht. Lesen Sie diese Warnhinweise genau durch, und befolgen Sie sie, um sicheres Arbeiten zu gewährleisten.

 <b>GEFAHR</b>	 <b>WARNUNG</b>	 <b>VORSICHT</b>
Dieses Symbol in Verbindung mit dem Wort „ <b>GEFAHR</b> “ macht auf Handlungen oder Bedingungen aufmerksam, die zu schweren Verletzungen oder zum Tod von Bediener und umstehenden Personen führen.	Dieses Symbol in Verbindung mit dem Wort „ <b>WARNUNG</b> “ macht auf Handlungen oder Bedingungen aufmerksam, die zu schweren Verletzungen oder zum Tod von Bediener und umstehenden Personen führen können.	„ <b>VORSICHT</b> “ warnt vor einer Gefahrensituation, in der es zu leichten bis mittelschweren Verletzungen kommen kann.

## Sonstige Kennzeichnungen

Zusätzlich zu den Warnhinweisen werden in dieser Anleitung folgende erklärende Symbole verwendet:









	Kreis mit umgekehrtem Schrägstrich bedeutet, dass das Dargestellte unzulässig ist.	<b>HINWEIS</b>	Hinweise dieser Art enthalten Tipps zur Verwendung, Pflege und Wartung des Produkts.	<b>WICHTIG</b>	Umrahmter Text mit der Überschrift „ <b>WICHTIG</b> “ enthält wichtige Informationen zur Verwendung, Überprüfung, Wartung und Lagerung des in dieser Anleitung beschriebenen Produkts.
---	--	----------------	--	----------------	--

## Symbole

In dieser Anleitung und auf dem Produkt selbst werden verschiedene erklärende Symbole verwendet. Wichtig ist, dass Sie die Bedeutung der einzelnen Symbole genau verstehen.

Symbol	Beschreibung des Symbols	Symbol	Beschreibung des Symbols
	Die Bedienungsanleitung sorgfältig lesen		Zur Durchführung von Wartungsarbeiten den Akku entnehmen.
	Warnung! Gegenstände werden hochgeschleudert!		Passanten auf Abstand halten
	Hände und Füße von sich drehenden Teilen fernhalten.		An Hängen besonders vorsichtig sein und das Produkt nicht an Hängen verwenden, die steiler als 15 Grad sind.
	Sicherheit/Achtung		Achtung, heiße Bereiche

# Sichere Verwendung des Produkts

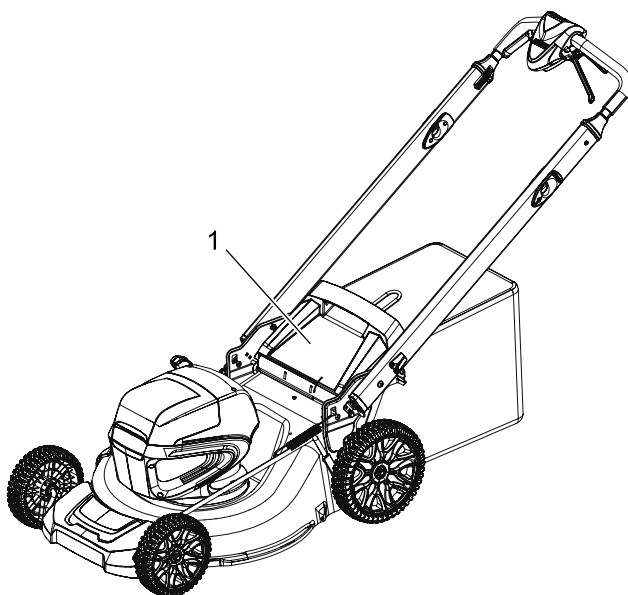
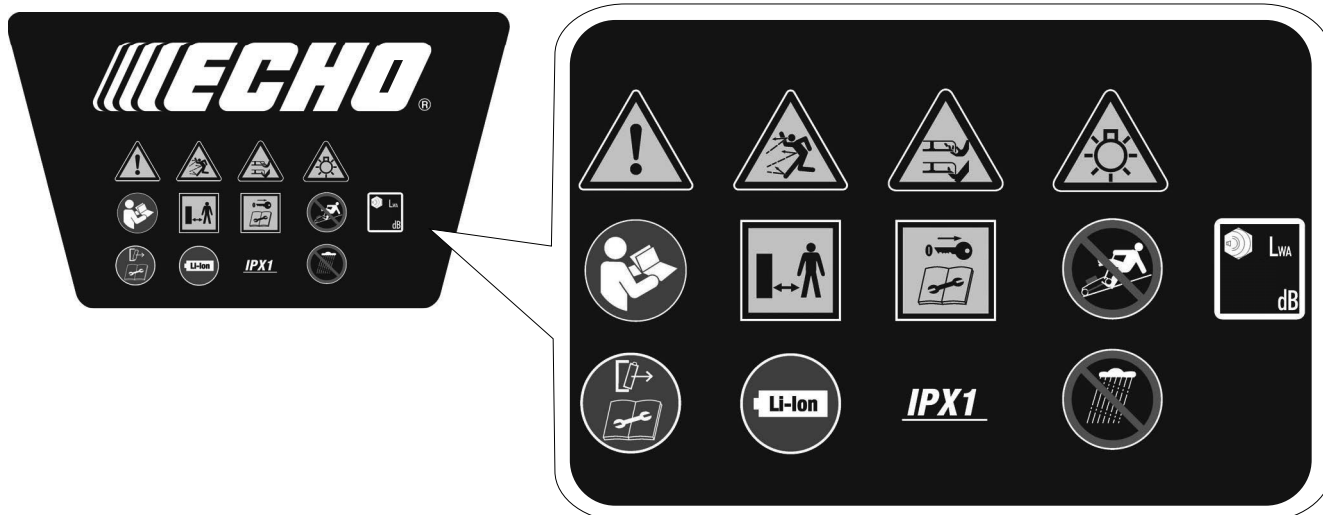
Symbol	Beschreibung des Symbols	Symbol	Beschreibung des Symbols
	Zur Durchführung von Wartungsarbeiten den Sicherheitsschlüssel abziehen.		Garantierter Schallleistungspegel
	Nie im Regen oder an feuchten Orten betreiben		Lithium-Ionen-Akku
	Achtung, Brandgefahr		Elektrische Geräte nicht über den Hausmüll entsorgen
	Geschützt gegen senkrecht fallende Wassertropfen		Nicht in das Licht schauen und während Wartungsarbeiten einen Augenschutz tragen

# Sichere Verwendung des Produkts

## Sicherheitsaufkleber

- Die in dieser Anleitung beschriebenen Produkte sind mit dem unten dargestellten Sicherheitsaufkleber versehen. Machen Sie sich die Bedeutung des Sicherheitsaufklebers bewusst, bevor Sie das Produkt verwenden.
- Falls der Sicherheitsaufkleber aufgrund von Verschleiß oder Beschädigung nicht mehr lesbar ist oder sich abgelöst hat, erwerben Sie bitte einen neuen Sicherheitsaufkleber von Ihrem Händler, und bringen Sie ihn an der nachstehend gezeigten Stelle an. Der Sicherheitsaufkleber muss stets gut lesbar sein.

1. Sicherheitsaufkleber (Teilenummer P022-066290)



# Sichere Verwendung des Produkts

## Arbeiten mit dem Produkt

### Allgemeine Sicherheitswarnungen zu Elektrowerkzeugen

#### **WARNUNG**

**Machen Sie sich mit allen Sicherheitswarnungen, Anweisungen, Abbildungen und Spezifikationen, die mit diesem Elektrowerkzeug bereitgestellt werden, vertraut.**

Wenn die nachstehenden Anweisungen nicht beachtet werden, besteht die Gefahr von Stromschlag, Brand und schweren Verletzungen.

**Bewahren Sie alle Warnhinweise und Anweisungen zum Nachschlagen auf.**

Der Begriff „Elektrowerkzeug“ in den Warnhinweisen bezieht sich auf ein netzbetriebenes (kabelgebundenes) Elektrowerkzeug oder ein akkubetriebenes (kabelloses) Elektrowerkzeug.

#### **Sicherheit im Arbeitsbereich**

- **Sorgen Sie dafür, dass der Arbeitsbereich aufgeräumt und gut beleuchtet ist.** Unordentliche und dunkle Arbeitsbereiche bedeuten Unfallgefahr.
- **Betreiben Sie Elektrowerkzeuge nicht in explosionsgefährdeten Bereichen, wie sie z. B. durch brennbare Flüssigkeiten, Gase oder Staub in der Umgebung entstehen.** Elektrowerkzeuge können Funken erzeugen, die Staub oder Dämpfe entzünden können.
- **Halten Sie bei der Arbeit mit einem Elektrowerkzeug Kinder und Umstehende fern.** Wenn Sie abgelenkt werden, können Sie die Kontrolle über das Werkzeug verlieren.

#### **Elektrische Sicherheit**

- **Elektrowerkzeugstecker müssen passend für die Steckdose sein. Verändern Sie den Stecker in keiner Weise. Verwenden Sie in Verbindung mit geerdeten Elektrowerkzeugen keine Adapterstecker.** Unveränderte Stecker und passende Steckdosen mindern das Risiko eines elektrischen Schlags.
- **Vermeiden Sie den Körperkontakt mit geerdeten Flächen wie Rohren, Heizkörpern, Öfen und Kühlschränken.** Das Risiko eines elektrischen Schlags ist höher, wenn Ihr Körper geerdet wird.
- **Setzen Sie Elektrowerkzeuge nie Regen oder Nässe aus.** Wasser, das in ein Elektrowerkzeug eindringt, erhöht das Risiko eines elektrischen Schlags.
- **Missbrauchen Sie das Kabel nicht. Gebrauchen Sie das Kabel nie zum Tragen, Ziehen oder Ausstecken des Elektrowerkzeugs. Halten Sie das Kabel fern von Hitze, Öl, scharfen Kanten und beweglichen Teilen.** Beschädigte oder verhedderte Kabel erhöhen das Risiko eines elektrischen Schlags.
- **Verwenden Sie beim Einsatz eines Elektrowerkzeugs im Freien ein für den Außenbereich geeignetes Verlängerungskabel.** Die Verwendung eines für den Außenbereich geeigneten Kabels vermindert das Risiko eines elektrischen Schlags.
- **Wenn der Einsatz eines Elektrowerkzeugs an einem feuchten Ort unvermeidlich ist, verwenden Sie eine Stromquelle mit Fehlerstromschutzschalter.** Die Verwendung eines Fehlerstromschutzschalters vermindert das Risiko eines elektrischen Schlags.

#### **Persönliche Sicherheit**

- **Seien Sie bei der Arbeit mit einem Elektrowerkzeug aufmerksam, konzentrieren Sie sich auf das, was Sie tun, handeln Sie umsichtig und vernünftig. Gebrauchen Sie ein Elektrowerkzeug nicht, wenn Sie müde sind oder unter dem Einfluss von Drogen, Alkohol oder Medikamenten stehen.** Ein Moment der Unachtsamkeit beim Betrieb von Elektrowerkzeugen kann dazu führen, dass Personen schwer verletzt werden.
- **Tragen Sie persönliche Schutzausrüstung. Tragen Sie immer einen Augenschutz.** Den Bedingungen angemessene Schutzausrüstung wie Staubmaske, Schuhwerk mit rutschfesten Sohlen, Schutzhelm und Gehörschutz vermindert die Verletzungsgefahr.
- **Verhindern Sie, dass das Werkzeug unbeabsichtigt in Gang gesetzt wird. Achten Sie darauf, dass der Schalter ausgeschaltet ist, bevor Sie die Verbindung zur Stromquelle oder mit dem Akku herstellen und bevor Sie das Werkzeug aufnehmen und tragen.** Das Tragen von Elektrowerkzeugen mit dem Finger am Schalter und das Herstellen der Stromzufuhr zu Elektrowerkzeugen bei eingeschaltetem Schalter bedeuten Unfallgefahr.
- **Entfernen Sie vor dem Einschalten des Elektrowerkzeugs eventuell benutzte Einstellschlüssel, Schraubenschlüssel usw.** Ein Schrauben- oder Einstellschlüssel, der an einem drehenden Teil des Elektrowerkzeugs vergessen wird, bedeutet Verletzungsgefahr.
- **Beugen Sie sich nicht zu weit über. Achten Sie stets auf sicheren Tritt und Stand, und halten Sie das Gleichgewicht.** So behalten Sie das Elektrowerkzeug auch in einer unvorhergesehenen Situation besser unter Kontrolle.
- **Achten Sie auf angemessene Kleidung. Tragen Sie keine lose sitzende Kleidung oder losen Schmuck. Bleiben Sie mit Haaren und Kleidung weg von drehenden Teilen.** Lose sitzende Kleidung, Schmuck und langes Haar können sich in beweglichen Teilen verfangen.
- **Bei Geräten mit Vorkehrung für eine Staubabsaug- und Staubsammeleinrichtung stellen Sie sicher, dass diese angeschlossen ist und wie vorgesehen genutzt wird.** Solche Einrichtungen können Gefahren durch Staub mindern.
- **Lassen Sie nicht zu, dass die Vertrautheit, die Sie durch eine häufige Werkzeugverwendung gewonnen haben, dazu führt, dass Sie leichtsinnig werden und die für Werkzeuge dieser Art geltenden Sicherheitsprinzipien ignorieren.** Eine unachtsame Handlung kann im Bruchteil einer Sekunde schwere Verletzungen verursachen.

# Sichere Verwendung des Produkts

## **WARNUNG**

### **Gebrauch und Pflege von Elektrowerkzeugen**

- **Überbeanspruchen Sie das Elektrowerkzeug nicht. Wählen Sie das richtige Elektrowerkzeug für die Aufgabe.** Ein für die betreffende Aufgabe richtig bemessenes und ausgelegtes Elektrowerkzeug erledigt die Aufgabe besser und sicherer.
- **Gebrauchen Sie das Elektrowerkzeug nicht, wenn der Ein- und Ausschalter nicht funktioniert.** Ein Elektrowerkzeug, dessen Schalter nicht funktionieren, ist gefährlich und muss repariert werden.
- **Trennen Sie den Stecker von der Stromquelle bzw. bauen Sie den Akku aus, bevor Sie an Elektrowerkzeugen Einstellungen vornehmen, Gerätezubehör wechseln oder die Werkzeuge lagern.** Solche Vorsichtsmaßnahmen mindern das Risiko, dass das Elektrowerkzeug unbeabsichtigt in Gang gesetzt wird.
- **Halten Sie Elektrowerkzeuge außer Reichweite von Kindern, und verhindern Sie, dass Personen, die mit dem Werkzeug und diesen Anweisungen nicht vertraut sind, Umgang mit dem Werkzeug haben.** Elektrowerkzeuge stellen in Händen ungeübter Nutzer eine Gefahr dar.
- **Warten Sie Elektrowerkzeuge und Zubehör ordnungsgemäß. Achten Sie auf Fluchtungsfehler, auf festgegangene oder gebrochene Teile und andere Umstände, die den sicheren Einsatz des Elektrowerkzeugs gefährden können. Lassen Sie ein schadhaftes Elektrowerkzeug vor dem Gebrauch reparieren.** Viele Unfälle gehen auf schlecht gewartete Elektrowerkzeuge zurück.
- **Achten Sie darauf, dass das Messer stets scharf und sauber bleibt.** Ein ordentlich instand gehaltenes Messer mit scharfen Schneidkanten frisst nicht so leicht fest und ist leichter zu führen.
- **Gebrauchen Sie das Elektrowerkzeug, Zubehör, Wechselwerkzeuge usw. wie in dieser Anleitung beschrieben und unter Berücksichtigung der Arbeitsbedingungen und der durchzuführenden Arbeit.** Der nicht bestimmungsgemäße Gebrauch des Elektrowerkzeugs stellt eine Gefahr dar.

### **Gebrauch und Pflege von Akkuwerkzeugen**

- **Laden Sie Akkus nur mit dem vom Hersteller angegebenen Ladegerät.** Ein Ladegerät, das für einen bestimmten Akku geeignet ist, kann bei einem anderen Akku einen Brand verursachen.
- **Betreiben Sie Elektrowerkzeuge nur mit den speziell vorgesehenen Akkus.** Bei der Verwendung anderer Akkus kann Verletzungs- und Brandgefahr bestehen.
- **Halten Sie einen Akku, der nicht in Gebrauch ist, von anderen metallischen Gegenständen, wie Büroklammern, Schlüsseln, Nägeln, Schrauben und dergleichen Kleinteilen fern, die eine leitende Verbindung zwischen den Polen herstellen können.** Beim Kurzschließen der Akkupole besteht die Gefahr von Brandverletzungen und Brandgefahr.
- **Bei falscher Behandlung des Akkus kann Flüssigkeit aus dem Akku treten – vermeiden Sie den Kontakt. Nach versehentlichem Kontakt spülen Sie die betroffene Stelle mit Wasser. Wenn die Flüssigkeit in die Augen gerät, begeben Sie sich außerdem in ärztliche Behandlung.** Ausgelaufene Akkusäure kann Reizungen und Verätzungen hervorrufen.
- **Verwenden Sie keine Akkus oder Werkzeuge, die beschädigt sind oder auf irgendeine Weise modifiziert wurden.** Beschädigte oder modifizierte Akkus können unverhersehbar reagieren und eine Brand-, Explosions- und Verletzungsgefahr darstellen.
- **Setzen Sie einen Akku oder ein Werkzeug keinen Flammen oder hohen Temperaturen aus.** Flammen oder Temperaturen über 130 °C können eine Explosion verursachen.
- **Befolgen Sie alle Ladeanweisungen und laden Sie den Akku oder das Werkzeug nicht außerhalb des in der Anleitung angegebenen Temperaturbereichs.** Ein unsachgemäßes oder bei Temperaturen außerhalb des spezifizierten Bereichs vorgenommenes Laden kann den Akku beschädigen und das Brandrisiko erhöhen.

### **Wartung**

- **Lassen Sie das Elektrowerkzeug von einer qualifizierten Reparaturwerkstatt mit identischen Ersatzteilen warten.** Dadurch ist gewährleistet, dass die Gerätesicherheit erhalten bleibt.
- **Versuchen Sie nicht, schadhafte Akkus instandzusetzen.** Die Instandsetzung von Akkus soll nur durch den Hersteller oder hierfür autorisierte Betriebe erfolgen.

# Sichere Verwendung des Produkts

## Sicherheitswarnungen für den Rasenmäher

### **WARNUNG**

- **Verwenden Sie den Rasenmäher nicht bei schlechtem Wetter, besonders nicht bei Gewittergefahr.** Dies verringert die Gefahr, von einem Blitz getroffen zu werden.
- **Achten Sie unbedingt darauf, dass sich im Bereich, in dem der Rasenmäher eingesetzt werden soll, keine Wildtiere aufhalten.** Wildtiere können während des Betriebs vom Rasenmäher verletzt werden.
- **Überprüfen Sie den Bereich gründlich, in dem der Rasenmäher eingesetzt werden soll, und entfernen Sie alle Steine, Zweige, Drähte, Knochen und andere Fremdkörper.** Weggeschleuderte Gegenstände können Verletzungen verursachen.
- **Führen Sie vor der Verwendung des Rasenmähers immer eine Sichtprüfung durch, um sicherzustellen, dass das Messer und die Messereinheit nicht abgenutzt oder beschädigt sind.** Verschlossene oder beschädigte Teile erhöhen das Risiko von Verletzungen.
- **Prüfen Sie den Grasfangkorb häufig auf Verschleiß oder Beschädigung.** Ein abgenutzter oder beschädigter Grasfangkorb kann das Risiko von Verletzungen erhöhen.
- **Lassen Sie Schutzvorrichtungen montiert. Die Schutzvorrichtungen müssen funktionstüchtig und ordnungsgemäß montiert sein.** Eine Schutzvorrichtung, die lose oder beschädigt ist oder nicht richtig funktioniert, kann zu Verletzungen führen.
- **Halten Sie alle Lüftungsschlitze frei von Verschmutzungen.** Verstopfte Lüftungsschlitze und Verunreinigungen können zu Überhitzungen oder Brandgefahr führen.
- **Tragen Sie beim Arbeiten mit dem Rasenmäher immer rutschfestes und schützendes Schuhwerk. Bedienen Sie den Rasenmäher nicht barfuß oder mit offenen Sandalen.** Dies verringert die Verletzungsgefahr für die Füße durch Kontakt mit dem sich bewegenden Messer.
- **Tragen Sie beim Arbeiten mit dem Rasenmäher immer lange Hosen.** Ungeschützte Haut erhöht die Verletzungsgefahr durch weggeschleuderte Gegenstände.
- **Verwenden Sie den Rasenmäher nicht in nassem Gras. Rennen Sie niemals, sondern gehen Sie.** Dies verringert die Gefahr, dass Sie ausrutschen oder stürzen und sich so verletzen könnten.
- **Verwenden Sie den Rasenmäher nicht an sehr steilen Hängen.** Dies verringert die Gefahr, dass Sie die Kontrolle verlieren, ausrutschen oder stürzen und sich so verletzen könnten.
- **Achten Sie bei Arbeiten an Hängen immer auf einen sicheren Stand. Arbeiten Sie immer quer zum Hang, niemals bergauf oder bergab, und gehen Sie bei Richtungsänderungen stets äußerst vorsichtig vor.** Dies verringert die Gefahr, dass Sie die Kontrolle verlieren, ausrutschen oder stürzen und sich so verletzen könnten.
- **Seien Sie äußerst vorsichtig, wenn Sie den Rasenmäher rückwärts bewegen oder zu sich heranziehen. Achten Sie immer auf Ihre Umgebung.** Dies verringert die Gefahr, dass Sie während des Betriebs stolpern.
- **Halten Sie das Stromkabel vom Messer fern.** Bei einem beschädigten Stromkabel besteht die Gefahr von Stromschlag, Brand und/oder schweren Verletzungen.
- **Schalten Sie den Rasenmäher aus und ziehen Sie den Stecker aus der Steckdose, wenn das Kabel verheddert oder beschädigt ist.** Verhedderte oder beschädigte Kabel erhöhen das Risiko eines elektrischen Schlags.
- **Berühren Sie die Messer und andere gefährliche bewegliche Teile nicht, solange sich diese noch in Bewegung befinden.** Dies verringert die Verletzungsgefahr durch bewegliche Teile.
- **Stellen Sie sicher, dass beim Entfernen von eingeklemmtem Material oder beim Reinigen des Rasenmähers alle Schalter auf Aus stehen und der Akku entfernt ist.** Ein unerwarteter Betrieb des Rasenmähers kann zu schweren Verletzungen führen.

# Sichere Verwendung des Produkts

## Allgemeine Sicherheitsregeln

### **WARNUNG**

#### Bedienungsanleitung

- Lesen Sie die Bedienungsanleitung vor der Inbetriebnahme des Produkts aufmerksam durch, um eine korrekte Bedienung zu gewährleisten.
- ◆ Andernfalls kann es zu Unfällen bzw. schweren Verletzungen kommen.



#### Das Produkt nur für den vorgesehenen Zweck verwenden

- Das Produkt darf nicht für andere als die in dieser Bedienungsanleitung genannten Zwecke verwendet werden.
- ◆ Andernfalls sind Unfälle und schwere Verletzungen die möglichen Folgen.

#### Keine Veränderungen am Produkt vornehmen

- An dem Produkt dürfen keine Veränderungen vorgenommen werden.
- ◆ Andernfalls sind Unfälle und schwere Verletzungen die möglichen Folgen. Funktionsfehler, die auf Veränderungen am Produkt zurückzuführen sind, fallen nicht unter die Herstellergarantie.

#### Das Produkt nur verwenden, wenn es überprüft und gewartet wurde

- Das Produkt darf nur verwendet werden, wenn es überprüft und gewartet wurde. Die Überprüfung und Wartung des Produkts muss regelmäßig durchgeführt werden.
- ◆ Andernfalls kann es zu Unfällen bzw. schweren Verletzungen kommen.
- Verwenden Sie die Maschine niemals bei beschädigten oder fehlenden Schutzvorrichtungen oder Schutzschilden.
- ◆ Andernfalls kann es zu Unfällen bzw. schweren Verletzungen kommen.

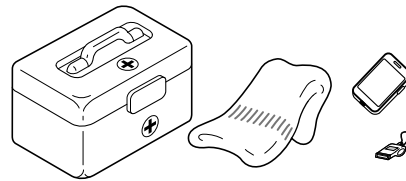
#### Verleihen oder Übereignen des Produkts

- Wenn Sie das Produkt verleihen, muss die ausleihende Person auch die zugehörige Bedienungsanleitung erhalten.
- Wenn Sie das Produkt einer anderen Person übereignen, muss die Bedienungsanleitung zusammen mit dem Produkt ausgehändigt werden.
- ◆ Andernfalls kann es zu Unfällen bzw. schweren Verletzungen kommen.

#### Vorsorge für den Fall von Verletzungen

Für den unwahrscheinlichen Fall, dass es dennoch zu Verletzungen kommt, sollten Sie folgende Dinge parat haben:

- Verbandskasten
- Hand- und Wischtücher (um etwaige Blutungen zu stoppen)
- Trillerpfeife oder Mobiltelefon (um Hilfe rufen zu können)
- ◆ Wenn Sie weder erste Hilfe leisten noch Hilfe rufen können, kann sich die Verletzung verschlimmern.



# Sichere Verwendung des Produkts

## Sicherheitsregeln für die Benutzung

### **WARNUNG**

#### Anwender des Produkts

Das Produkt darf von folgenden Personen nicht gebraucht werden:

- übermüdete Personen
- alkoholisierte Personen
- unter Medikamenteneinfluss stehende Personen
- schwangere Frauen
- Personen in schlechter körperlicher Verfassung
- Personen, die die Bedienungsanleitung nicht gelesen haben
- Kinder



- ◆ Eine Nichtbefolgung dieser Anweisungen kann zu Unfällen führen.
- Dieses Produkt erzeugt während des Betriebs elektromagnetische Felder. Magnetfelder können Störungen oder Ausfälle bei Herzschrittmachern verursachen. Um Gesundheitsrisiken zu reduzieren, empfehlen wir, dass Personen mit Herzschrittmachern vor Betrieb dieses Geräts ihren Arzt und den Hersteller des Herzschrittmachers konsultieren.

#### Arbeitsumgebung und Bedienung

- **Produkt nicht verwenden**
  - ◆ in feuchten oder nassen Umgebungen
  - ◆ bei Regen
  - ◆ unter schlechten Wetterbedingungen
- ◆ Andernfalls sind Unfälle und schwere Verletzungen die möglichen Folgen.
- **Verwenden Sie das Produkt nicht an Orten ohne sicheren Untergrund, etwa an steilen Hängen oder nach Regengüssen, da solche Stellen rutschig und gefährlich sind.**
- **Mähen Sie an flachen Hängen nicht auf und ab, sondern auf einer Ebene in Streifen.**
- **Verwenden Sie das Produkt nicht an Orten mit schlechter Sicht.**
  - ◆ Wenn Sie fallen oder ausrutschen oder das Produkt nicht mehr voll beherrschen, kann dies zu schweren Verletzungen führen.



#### Gefahrenzone innerhalb eines Radius von 30 m

Der Bereich in einem Radius von 30 m rund um dieses Produkt gilt als Gefahrenzone. Beachten Sie bei der Arbeit mit diesem Produkt folgende Vorsichtsmaßnahmen:

- Lassen Sie keine Personen (insbesondere Kinder) oder Tiere in die Gefahrenzone.
- Wenn eine andere Person die Gefahrenzone betritt, schalten Sie das Gerät aus.
- Wenn Sie sich dem Bediener nähern möchten, signalisieren Sie ihm Ihre Absicht, indem Sie z. B. Zweige von außerhalb der Gefahrenzone werfen, und vergewissern Sie sich dann, dass das Gerät abgestellt wurde.

- Wenn mehrere Personen mit dem Produkt arbeiten, vereinbaren Sie eine Art der gegenseitigen Kommunikation, und arbeiten Sie mit mindestens 30 m Abstand voneinander.

- ◆ Ausgeworfene Gegenstände können zu schweren Verletzungen des Bedieners oder Personen in dessen Umfeld führen.

#### Arbeiten mit dem Produkt

Achten Sie bei der Arbeit mit dem Produkt besonders auf folgende Sicherheitsanweisungen:

- Richten Sie das Gerät nicht auf Menschen oder Tiere.
- Arbeiten Sie nicht in Bereichen ohne ausreichenden Halt.
- Halten Sie den Griff gut fest.
- Arbeiten Sie nicht spät nachts oder früh morgens, da sich Anwohner vom Geräusch gestört fühlen.
- ◆ Bei Nichtbeachtung dieser Anweisungen kann es zu Unfällen mit Verletzungsfolge kommen.

#### Das Gerät beim Transportieren abschalten

Stellen Sie das Gerät ab, wenn Sie es in den nachstehend beschriebenen Situationen transportieren:

- Sie suchen Ihren Arbeitsbereich auf.
- Sie wechseln im Verlauf der Arbeit den Arbeitsbereich.
- Sie verlassen Ihren bisherigen Arbeitsbereich.
- ◆ Bei Nichtbeachtung dieser Sicherheitsregeln können Verbrennungen oder andere schwere Verletzungen die Folge sein.
- Entfernen Sie den Akku des Geräts und den Sicherheitsschlüssel zum Transport in Kraftfahrzeugen, und sichern Sie das Gerät so, dass es nicht verrutschen kann.

#### Achten Sie darauf, dass Sie das Messer nicht berühren, während er sich dreht.

- Bringen Sie Ihre Hände und Füße nicht in die Nähe des unter dem Schutzschild rotierenden Messers.
- ◆ Dies führt zu schweren Verletzungen.

#### Halten Sie sich niemals vor dem Gerät auf.

- Achten Sie darauf, dass Sie nicht mit dem Gerät zusammenstoßen oder zu nah an die Räder kommen.
- ◆ Dies führt zu schweren Verletzungen.

# Sichere Verwendung des Produkts

## **WARNUNG**

### Vibration und Kälte

Es wird vermutet, dass das Raynaud-Syndrom, das die Finger mancher Menschen befällt, durch stark vibrierende Arbeitsgeräte und das Arbeiten bei Kälte herbeigeführt wird. Durch stark vibrierende Arbeitsgeräte und das Arbeiten bei Kälte kann sich ein Prickeln und Brennen bemerkbar machen, dem sich Farblosigkeit und Gefühllosigkeit der Finger anschließen.

Die nachstehend aufgeführten Vorkehrungen werden dringend empfohlen, da die untersten Expositionswerte, bei denen diese Krankheit ausgelöst wird, nicht bekannt sind.

- Halten Sie Ihren Körper warm, insbesondere Kopf und Nacken, Füße und Fußgelenke sowie Hände und Handgelenke.
- Legen Sie häufige Pausen ein, in deren Verlauf Sie den Kreislauf durch intensive Armübungen anregen, und rauchen Sie nicht.
- Begrenzen Sie die Dauerbetriebszeiten auf ein Minimum.  
Teilen Sie jeden Arbeitstag so ein, dass auch Arbeiten ohne Rasenmäher oder tragbare Geräte verrichtet werden.
- Wenn Ihre Finger schmerzen, rot und angeschwollen sind und schließlich bleich und gefühllos werden, müssen Sie einen Arzt aufsuchen, bevor Sie sich weiterhin Kälte und Vibrationen aussetzen.
- ◆ Eine Nichtbefolgung dieser Anweisung kann zu gesundheitlichen Schäden führen.

### RSI-Syndrom

Es wird angenommen, dass eine Überanstrengung der Muskeln und Sehnen der Finger, Hände, Arme und Schultern in den betreffenden Körperteilen Schmerzen, Schwellungen, Gefühllosigkeit, Schwäche und auch akuten Schmerz verursachen kann. Durch bestimmte ständig wiederholte Handbewegungen steigt das Risiko für die Entwicklung eines RSI-Syndroms.

Auf folgende Art mindern Sie das Risiko des RSI-Syndroms:

- Achten Sie darauf, dass Sie Ihr Handgelenk nicht zu sehr beugen, strecken oder verdrehen.
- Legen Sie von Zeit zu Zeit Pausen ein, um wiederholte Bewegungen zu minimieren, und lassen Sie Ihre Hände ruhen. Reduzieren Sie die Geschwindigkeit und den Kraftaufwand, mit denen Sie die Wiederholungsbewegung ausführen.
- Führen Sie geeignete Übungen zur Stärkung der Hand- und Armmuskulatur durch.
- Suchen Sie einen Arzt auf, wenn Sie ein Prickeln, Gefühllosigkeit oder Schmerzen in Ihren Fingern, Händen, Handgelenken oder Armen bemerken. Je früher das RSI-Syndrom erkannt wird, desto eher lässt sich eine dauerhafte Schädigung von Nerven und Muskeln verhindern.
- ◆ Eine Nichtbefolgung dieser Anweisung kann zu gesundheitlichen Schäden führen.

### Der Akku soll getrennt werden:

- wenn die Maschine nicht in Gebrauch ist
- vor dem Entfernen von Blockaden
- vor Überprüfungs-, Reinigungs- und anderen Arbeiten an der Maschine
- nach dem Kontakt mit einem Fremdkörper zur Überprüfung der Maschine auf Beschädigung
- zur unmittelbaren Überprüfung, wenn die Maschine auffällig zu vibrieren beginnt

### Bei Problemen oder Auffälligkeiten das Gerät sofort abstellen

- Schalten Sie das Gerät sofort aus, wenn das Produkt plötzlich ungewohnte Geräusche erzeugt oder zu vibrieren beginnt. Unter diesen Umständen darf das Produkt nicht betrieben werden.  
Wenden Sie sich bei anfallenden Reparaturen an Ihren ECHO-HÄNDLER.
- ◆ Wenn beschädigte Teile weiter verwendet werden, kann dies zu Unfällen bzw. schweren Verletzungen führen.

### Das Gerät zur Prüfung und Wartung ausschalten

Beachten Sie die folgenden Sicherheitsregeln, wenn Sie das Produkt nach dem Gebrauch überprüfen und warten:

- Schalten Sie das Gerät aus, entfernen Sie den Akku, und stellen Sie sicher, dass alle beweglichen Teile zum Stillstand gekommen sind.
- ◆ Es besteht Unfallgefahr, wenn das Produkt unerwartet in Bewegung geht.
- Lassen Sie das Gerät abkühlen, bevor Sie Wartungsarbeiten durchführen.
- ◆ Andernfalls können Sie sich verbrennen.

# Sichere Verwendung des Produkts

## Schutzausrüstung

### **WARNUNG**

#### Schutzausrüstung tragen

○ Tragen Sie bei Arbeiten mit dem Rasenmäher angemessene Arbeitskleidung und eine Schutzausrüstung. Tragen Sie bei der Arbeit vor allem stets eine Schutzbrille und eine Staubschutzmaske.

◆ Ohne Schutzausrüstung besteht die Gefahr, dass aufgewirbelte Schmutzpartikel Sie treffen, in Atemwege oder Augen gelangen, was zu Unfällen und Verletzungen führen kann.

**a Schutzbrille:** schützt die Augen

**b Kopfschutz (Helm):** schützt den Kopf

**c Schutzhandschuhe:** schützen die Hände vor Kälte und Vibration

**d Eng anliegende Kleidung (lange Ärmel, lange Hosen):** schützt den Körper

**e Robuste Schuhe oder Stiefel:** schützen die Füße

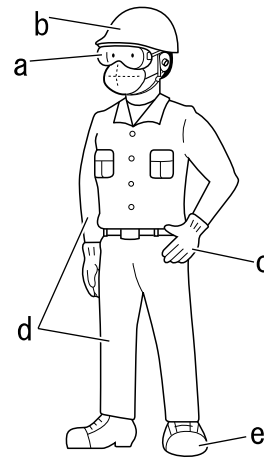
◆ Bei Nichtbeachtung dieser Sicherheitsvorkehrungen sind Ihr Augenlicht und Ihr Gehör gefährdet, und es drohen andere schwere Verletzungen.

**Falls erforderlich, verwenden Sie auch folgende Schutzausrüstung:**

○ **Staubmaske:** Atemschutz

○ **Gehörschutzbügel oder Ohrenstöpsel:** Gehörschutz

○ **Bienennetz:** Insektenschutz



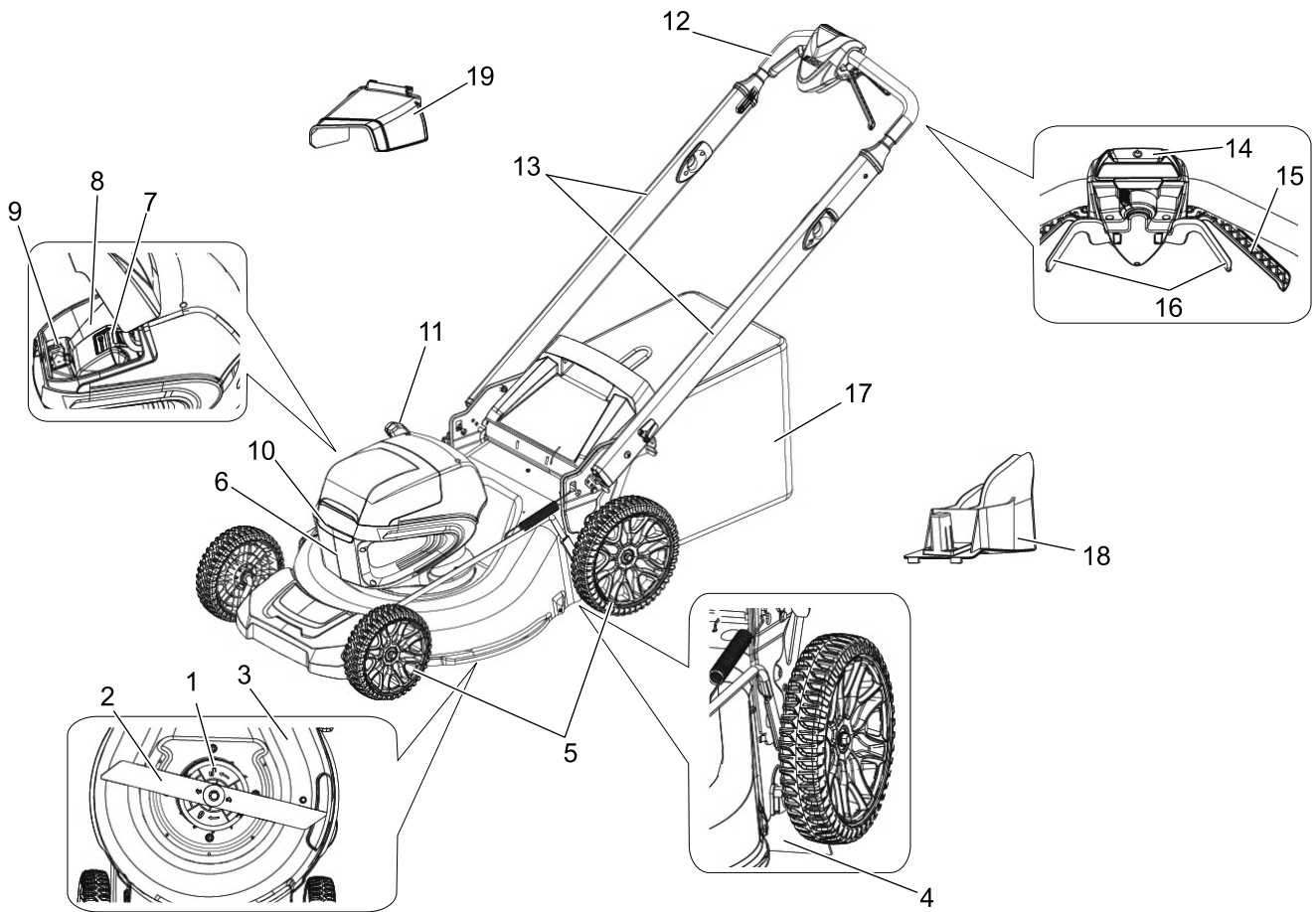
#### Geeignete Kleidung tragen

Tragen Sie keine Krawatten, Schmuckstücke oder lose, weite Kleidungsstücke, die sich im Gerät verfangen könnten. Tragen Sie keine offenen Schuhe, und arbeiten Sie nicht barfuß oder in kurzen Hosen.

◆ Bei Nichtbeachtung dieser Sicherheitsvorkehrungen besteht Unfallgefahr und die Gefahr schwerer Verletzungen.



# Beschreibung

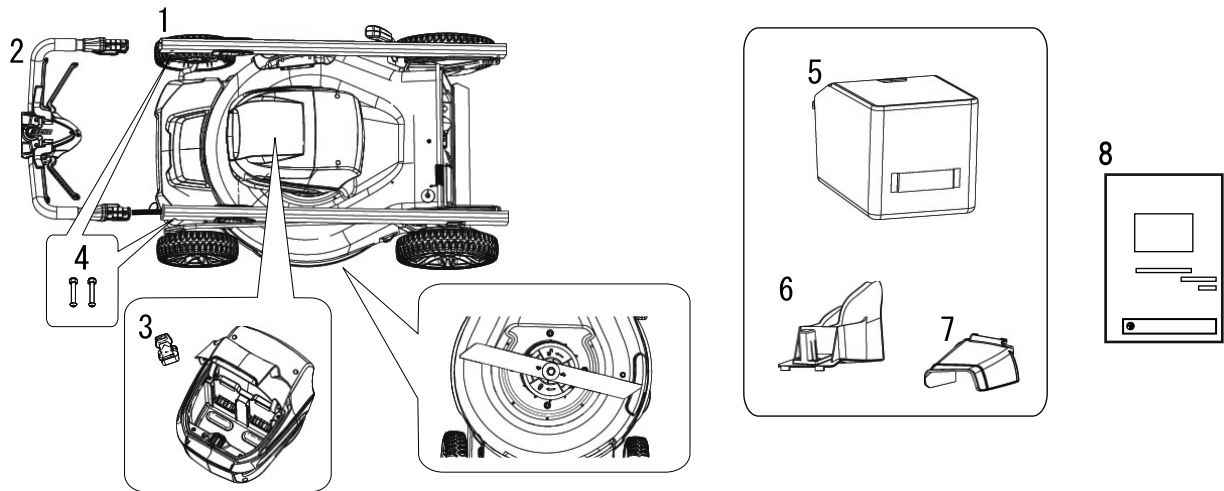


1. **Antriebskopf** – Zur Montage der Antriebswelle und mit einem Lüfter zum Kühlen des Geräts.
2. **Messer** – Am Antriebskopf (1) befestigtes Metallmesser zum Mähen von Gras und Unkraut.
3. **Schutzschild** – Schützt den Bediener und andere Personen vor einem versehentlichen Kontakt mit dem Antriebskopf und weggeschleuderten Gegenständen.
4. **Hinterer Schild** – Schützt den Bediener vor einem versehentlichen Kontakt mit dem Antriebskopf und weggeschleuderten Gegenständen.
5. **Rad** – Zur Bewegung oder zum Selbstantrieb des Geräts.
6. **Akkugehäuse** – Für Stromversorgung zum Drehen des Messers und der Räder.
7. **Akkusatz** – Wiederaufladbare Batterien.
8. **Akkufach** – Einbauort für Akkus.
9. **Sicherheitsschlüssel** – Elektrische Verbindung oder Trennung von Akku und Gerät.
10. **LED-Scheinwerfer** – Für eine klare Sicht im Umgebungsbereich.
11. **Höhenverstellhebel** – Zur Änderung der Schnitthöhe.
12. **Oberer Griff** – Steuerung des Geräts über Griff, Knopf und Schalter.
13. **Unterer Griff** – Verbindet den oberen Griff (10) mit Messer (1) und Rad (4).
14. **Einschaltknopf** – In Kombination mit anderen Schaltern zur Bewegung von Messer (2) und Rädern (4).
15. **Auslöseschalter** – Zur Bewegung des Messers (2).
16. **Fahrschalter** – Zur Bewegung der Räder (4).
17. **Grasfangkorb** – Hinten zum Aufsammeln von Schnittgut angebracht.
18. **Mulchstopfen** – Blockiert den hinteren Auslass beim Mulchen und seitlichen Auswurf des Schnittguts.
19. **Seitlicher Auswurfkanal** – Zum seitlichen Auswurf des Schnittguts.

# Bevor Sie beginnen

## Packliste

- ♦ Die nachfolgend aufgeführten Einzelteile sind in der Verpackung enthalten.
- ♦ Überprüfen Sie nach dem Auspacken die Vollständigkeit des Inhalts.
- ♦ Wenden Sie sich an Ihren Händler, wenn Teile fehlen oder beschädigt sind.



1. Hauptteil und Messer
2. Oberer Griff
3. Sicherheitsschlüssel
4. Mutter und Schraube

5. Grasfangkorb
6. Mulchstopfen
7. Seitlicher Auswurfkanal
8. Bedienungsanleitung

# Bevor Sie beginnen

## Laden des Akkus

### **⚠️ WARNUNG**

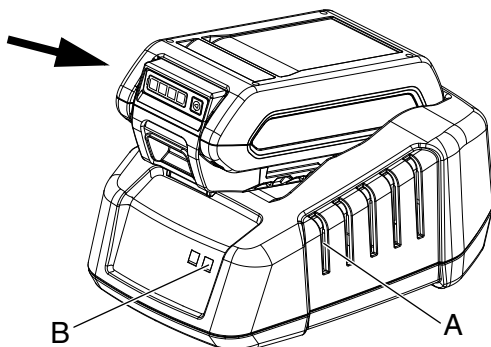
- Verwenden Sie nur den dafür vorgesehenen Akku und laden Sie ihn mit dem dafür vorgesehenen Ladegerät auf. Siehe Abschnitt „Technische Daten“.
- Halten Sie Ladegerät und Akku fern von Feuchtigkeit und allen Flüssigkeiten.
- Verwenden Sie das Ladegerät nicht auf leicht brennbaren Materialien (z. B. Papier oder Stoff) und nicht in einer Umgebung mit erhöhter Brandgefahr.
- Bedecken Sie das Ladegerät nicht. Ist das Ladegerät bedeckt, kann es nicht abkühlen.
- Verwenden Sie das Ladegerät nicht in explosiven Umgebungen, z. B. in Gegenwart von entflammenden Flüssigkeiten, Gasen oder Staub. Ladegeräte können Funken verursachen, die Staub oder Dämpfe entzünden können – es besteht Explosionsgefahr.
- Schließen Sie das Ladegerät nur an das Netz an, wenn Spannung und Frequenz mit den Angaben auf dem Typenschild übereinstimmen.
- Schließen Sie das Ladegerät nur an eine leicht zugängliche Wandsteckdose an.
- Stecken Sie nie Gegenstände in die Kühlschlitze (A) des Akkus oder des Ladegeräts.
- Defekte, beschädigte oder verformte Akkus oder Ladegeräte dürfen nicht geladen oder verwendet werden.
- Der Akku und das Ladegerät dürfen nicht geöffnet, beschädigt oder fallengelassen werden.
- Aus dem Akku kann Flüssigkeit austreten, wenn er beschädigt ist oder nicht ordnungsgemäß verwendet wird. Hautkontakt vermeiden. Bei versehentlichem Kontakt die betroffenen Bereiche der Haut mit viel Wasser und Seife abwaschen. Wenn Flüssigkeit in die Augen gerät, die Augen nicht reiben. Spülen Sie die Augen mindestens 15 Minuten lang mit viel Wasser. Suchen Sie auch einen Arzt auf.
- Überbrücken Sie die Kontakte des Akkus oder die Klemmen des Ladegeräts nie mit Metallgegenständen (Kurzschluss).
- Schützen Sie den Akku vor direkter Sonneneinstrahlung, Hitze und offenen Flammen und werfen Sie ihn nie ins Feuer; es besteht Explosionsgefahr.
- Falls Rauch oder Flammen aus dem Ladegerät austreten, ziehen Sie sofort den Stecker aus der Wandsteckdose.
- Ist das Verbindungskabel beschädigt, ziehen Sie sofort den Stecker aus der Steckdose, um eine Stromschlaggefahr zu verhindern.
- Setzen Sie den Akku nie Mikrowellen oder hohem Druck aus.
- Sichern Sie das Gerät gegen unbeabsichtigtes Starten. Nehmen Sie zum Transport und zur Lagerung des Geräts den Akku heraus. Verwenden Sie keine Metallbehälter für den Transport von Akkus.
- Verwenden Sie das Verbindungskabel nicht für andere Zwecke, z. B. um das Ladegerät zu tragen oder aufzuhängen.
- Um die Stolpergefahr zu mindern, bringen Sie das Verbindungskabel so an und markieren Sie es so, dass es nicht beschädigt werden kann und keine Gefahr für andere darstellt.
- Umgreifen Sie beim Herausziehen den Stecker, nicht das Kabel.

### **HINWEIS**

- Der neue Akku wird teilgeladen geliefert und muss vor dem ersten Gebrauch voll geladen werden.
- Laden Sie den Akku, wenn die Leistung nicht mehr für den Betrieb des Geräts ausreicht, oder wenn die Leuchten am Akku anzeigen, dass der Akku schwach ist.

### **WICHTIG**

- Verwenden Sie das Akkuladegerät bei Temperaturen zwischen 5 °C und 40 °C.

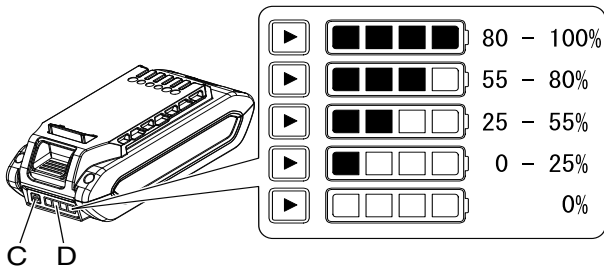


1. Stecken Sie das Ladegerät-Wechselstromkabel in die Wandsteckdose.
2. Richten Sie die Rippen am Akku an den Nuten am Ladegerät aus und schieben Sie den Akku in das Ladegerät.
3. Während des normalen Aufladevorgangs blinkt die GRÜNE LED (B) auf dem Ladegerät kontinuierlich.

### **WICHTIG**

- Wenn das Ladegerät ein Problem erkennt, blinkt die LED ROT auf. Nehmen Sie den Akku aus dem Ladegerät, entfernen Sie Schmutz o. ä. von den Kontakten und setzen Sie den Akku wieder im Ladegerät ein. Wenn der Akku einer Temperatur ausgesetzt ist, die außerhalb des zulässigen Bereichs (0 bis 60 °C) liegt, leuchtet die LED konstant ROT.

# Bevor Sie beginnen



4. Nach beendeter Ladung leuchtet die LED konstant GRÜN.
5. Prüfen Sie, ob der Akku vollständig geladen ist, indem Sie den Akku aus dem Ladegerät nehmen, die Akkuladezustand-Taste (C) drücken und die LED-Anzeige beobachten (D).
6. Trennen Sie das Akkuladegerät vom Netz.

# Bevor Sie beginnen

## Zusammenbau

### **WARNUNG**

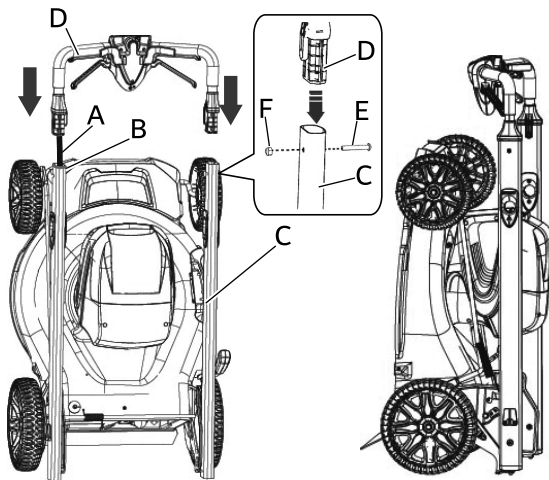
- Lesen Sie die Bedienungsanleitung aufmerksam durch, um sicherzustellen, dass Sie das Produkt korrekt zusammenbauen.  
Die Verwendung eines falsch zusammengebauten Produkts kann zu Unfällen bzw. schweren Verletzungen führen.



## Obere Griffereinheit

### **WICHTIG**

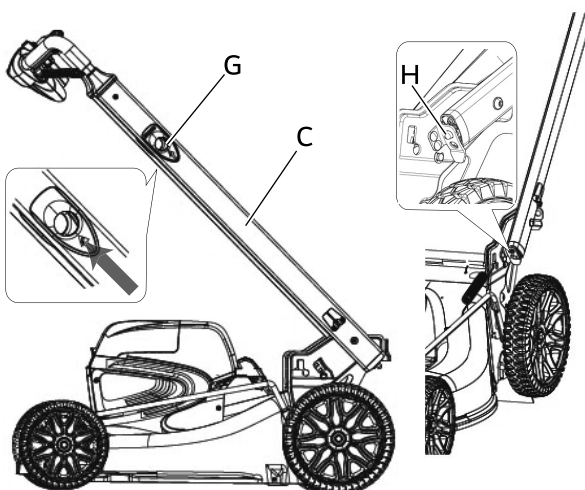
- Achten Sie bei der Montage des oberen Griffs darauf, dass Sie das Kabel nicht beschädigen.



1. Stellen Sie das Gerät aufrecht ab.
2. Entfernen Sie das Verpackungsmaterial vom Kabel (A).
3. Entfernen Sie den Kantenschutz aus Gummi (B) vom unteren Griff (C).
4. Setzen Sie den oberen Griff (D) in den unteren Griff (C).
5. Setzen Sie die Schrauben (E) durch die Löcher und ziehen Sie die Muttern (F) mit einem Schraubendreher (nicht im Lieferumfang enthalten) fest.

### **WICHTIG**

- Stellen Sie sicher, dass sich die beiden Griffstifte beim Ausklappen des unteren Griffs in der gleichen Position befinden.



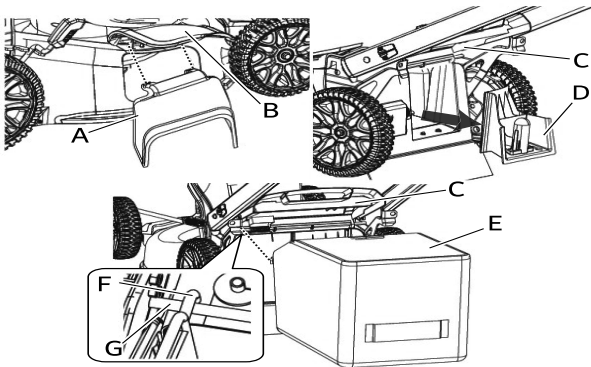
6. Bringen Sie das Gerät in horizontale Lage.
7. Ziehen Sie an den Grifföffnern (G) nach oben, um den unteren Griff (C) zu lösen.
8. Klappen Sie den unteren Griff (C) so weit nach oben, bis die Griffstifte (H) einrasten.

## Drei verschiedene Funktionen

### WICHTIG

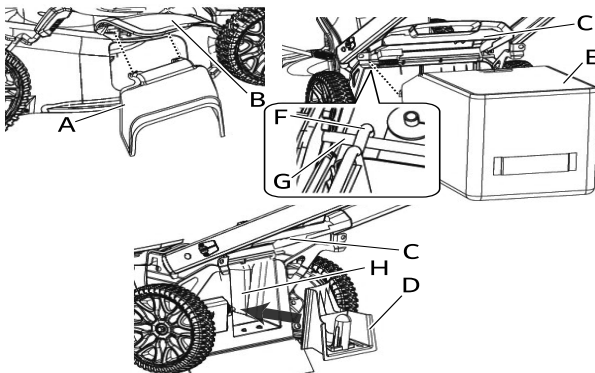
- Im Allgemeinen ist ein Rasenmäher mit drei Funktionen ausgestattet (Aufsammeln von Schnittgut im hinteren Grasfangkorb/ Mulchen/Seitenauswurf). Zur Verwendung der einzelnen Funktionen muss der Rasenmäher entsprechend eingestellt werden.

#### Aufsammeln von Schnittgut im hinteren Grasfangkorb



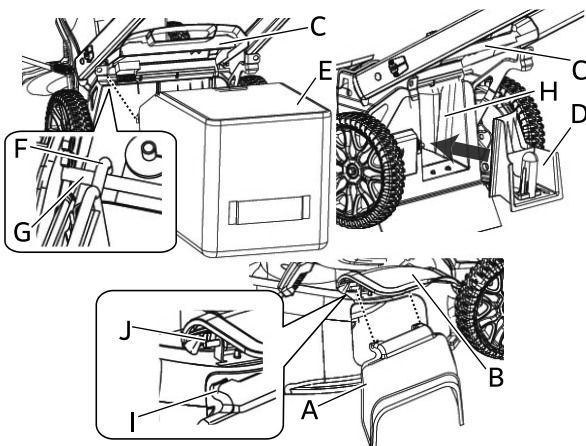
1. Bauen Sie den Akku aus und ziehen Sie den Sicherheitsschlüssel ab.
2. Entfernen Sie den seitlichen Auswurfkanal (A).
3. Schließen Sie die seitliche Auswurfklappe (B).
4. Öffnen Sie die Heckauswurfklappe (C) und entfernen Sie den Mulchstopfen (D).
5. Öffnen Sie die Heckauswurfklappe (C) und rasten Sie die Haken (F) an der Klappenstange (G) ein, um den Grasfangkorb einzuhängen.
6. Klappen Sie die Heckauswurfklappe (C) herunter.

#### Mulchen



1. Bauen Sie den Akku aus und ziehen Sie den Sicherheitsschlüssel ab.
2. Entfernen Sie den seitlichen Auswurfkanal (A).
3. Schließen Sie die seitliche Auswurfklappe (B).
4. Lösen Sie die Haken (F) an der Klappenstange (G) und nehmen Sie den Grasfangkorb (E) ab.
5. Öffnen Sie die Heckauswurfklappe (C), um den Mulchstopfen (D) anzubringen. Hierzu ist eine sichere Befestigung am hinteren Auswurfkanal (H) erforderlich.
6. Klappen Sie die Heckauswurfklappe (C) herunter.

#### Seitenauswurf



### ⚠️ WARNUNG

- Bei Verwendung des seitlichen Auswurfkanals
- nicht den Grasfangkorb anbringen.
  - Der Mulchstopfen muss eingebaut bleiben.

1. Bauen Sie den Akku aus und ziehen Sie den Sicherheitsschlüssel ab.
2. Lösen Sie die Haken (F) an der Klappenstange (G) und nehmen Sie den Grasfangkorb (E) ab.
3. Bringen Sie den Mulchstopfen (D) an und befestigen Sie in ihn sicher am hinteren Auswurfkanal (H).
4. Schließen Sie die Heckauswurfklappe (C).
5. Öffnen Sie die seitliche Auswurfklappe (B) und richten Sie die Aussparungen (I) des seitlichen Auswurfkanals (A) unter dem Drehpunkt (J) aus.
6. Klappen Sie die seitliche Auswurfklappe (B) herunter.

# Bevor Sie beginnen

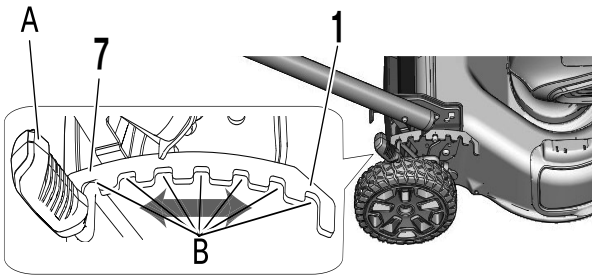
## Schnitthöhe einstellen

### **⚠️ WARNUNG**

- Ändern Sie niemals die Schnitthöhe, während sich das Messer oder die Räder bewegen.

### **HINWEIS**

- Das Gerät lässt sich den Arbeitsanforderungen entsprechend auf verschiedene Schnitthöhen einstellen.



1. Setzen Sie den Höhenverstellhebel (A) zur Änderung der Schnitthöhe in eine der Ausparungen (B) – nach hinten für eine größere Schnitthöhe (7←) oder nach vorne für eine geringere Schnitthöhe (→1).

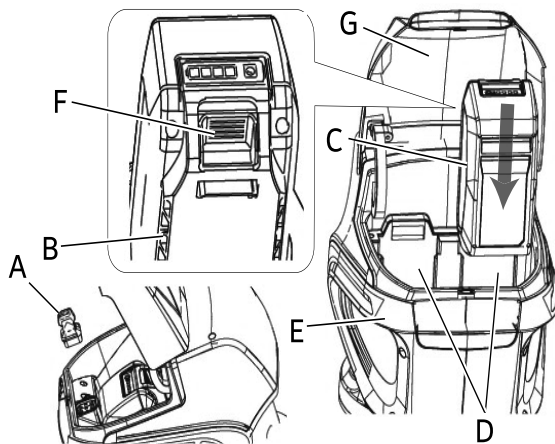
## Einsetzen und Entfernen des Akkus

### **⚠️ WARNUNG**

- Das Gerät wird in Betrieb gesetzt, wenn der Akku eingesetzt ist und der Einschaltknopf sowie der Auslöse- oder der Fahrshalter betätigt werden. Achten Sie darauf, dass das Gerät richtig positioniert ist, damit Sie nicht die Kontrolle verlieren – es besteht schwere Verletzungsgefahr. Halten Sie das Gerät von Gegenständen fern, die sich verfangen, wegschleudern oder zusammenstoßen könnten.
- Betätigen Sie beim Einsetzen des Akkus nicht den Auslöse- oder Fahrshalter.
- Bringen Sie Ihre Hände oder Füße nicht in die Nähe von sich drehenden Teilen oder unter den Schutzschild.
- Nehmen Sie den Akku heraus, bevor Sie das Gerät zurücklassen.

### **HINWEIS**

- Das Gerät verfügt über eine automatische Umschaltfunktion für zwei Akkusätze. Wenn der erste Akkusatz ausfällt, kommt der zweite Akkusatz zum Einsatz.
- Der Akku wird teilgeladen geliefert und muss vor dem ersten Gebrauch voll geladen werden.
  - Weitere Informationen können Sie der mit dem Akkusatz gelieferten separaten Bedienungsanleitung entnehmen.

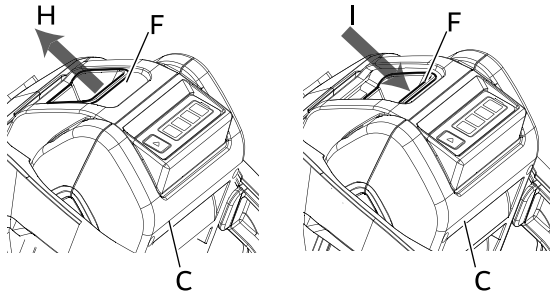


- A. Sicherheitsschlüssel
- B. Rippe
- C. Akkusatz
- D. Nut
- E. Akkugehäuse
- F. Akkuverriegelung
- G. Akkuklappe

### **Einsetzen des Akkus**

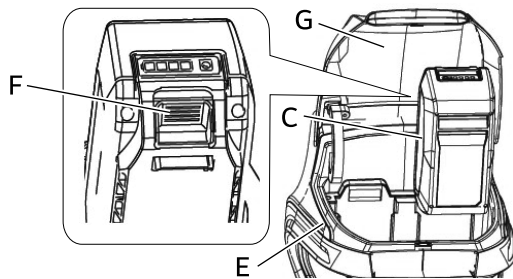
1. Lassen Sie den Auslöse- und den Fahrshalter los.
2. Stellen Sie sicher, dass das Messer und die Räder zum vollständigen Stillstand gekommen sind.
3. Öffnen Sie die Akkuklappe (G) und ziehen Sie den Sicherheitsschlüssel (A) ab.
4. Richten Sie die Rippen (B) am Akkusatz (C) mit den Nuten (D) im Akkugehäuse (E) aus und setzen Sie den Akku so ein, dass die Akkuverriegelung (F) einrastet.
5. Stecken Sie den Sicherheitsschlüssel (A) ein.
6. Schließen Sie die Akkuklappe (G).

# Bevor Sie beginnen



H. Eingerastet  
I. Nicht eingerastet

F. Akkuverriegelung  
C. Akkusatz



G. Akkuklappe  
F. Akkuverriegelung

E. Akkugehäuse

## WICHTIG

- Bevor Sie das Gerät verwenden, kontrollieren Sie, dass der Akku ganz eingeschoben und die Akkuverriegelung eingerastet ist.

## HINWEIS

- ♦ Die Akkuverriegelung (F) rastet ein, wenn der Akku vollständig eingeschoben ist.

### Entnehmen des Akkus

1. Stellen Sie sicher, dass das Messer und die Räder zum vollständigen Stillstand gekommen sind.
2. Öffnen Sie die Akkuklappe (G).
3. Ziehen Sie den Sicherheitsschlüssel ab.
4. Zum Entnehmen des Akkus drücken Sie auf die Akkuverriegelung (F) und schieben den Akku aus dem Akkugehäuse (E).
5. Schließen Sie die Akkuklappe (G).

# Betrieb

## GEFAHR

- In allen über Kopf befindlichen elektrischen Leitern und Kommunikationskabeln kann elektrischer Strom mit Hochspannung fließen. Dieses Gerät ist nicht stromisoliert. Vermeiden Sie jede direkte oder indirekte Berührung der Kabel, dies könnte sonst zu schweren Verletzungen oder sogar zum Tod führen.

## WARNUNG

- Verwenden Sie das Gerät nicht in explosionsfähiger Umgebung, wie in Gegenwart von entflammaren Flüssigkeiten, Gasen oder Staub. Das Gerät erzeugt Funken, die Staub oder Dämpfe entzünden können.

Befolgen Sie beim Starten des Geräts insbesondere die folgenden Sicherheitsregeln:

- Überprüfen Sie, ob alle Schrauben und Muttern fest angezogen sind.
- An drehenden Teilen des Geräts wurde kein Steckschlüssel oder ein anderes Feststellwerkzeug zurückgelassen.
- Sorgen Sie für ausreichenden Abstand rund um das Gerät, und lassen Sie keine Personen oder Tiere in die Nähe. Eine Nichtbefolgung der Sicherheitsregeln kann zu Unfällen, Verletzungen oder sogar zum Tod führen.
- Achten Sie nach dem Starten des Geräts auf ungewöhnliche Vibrationen oder Geräusche. Verwenden Sie das Gerät nicht, wenn Sie ungewöhnliche Vibrationen oder Geräusche feststellen. Wenden Sie sich an Ihren Händler, um es reparieren zu lassen.  
Durch abfallende oder absplittende Teile kann es zu schweren Verletzungen kommen.

- Schalten Sie das Gerät immer aus und entfernen Sie den Akku, wenn Sie das Gerät transportieren.

- Winkelgetriebe und andere stark erhitze Teile des Geräts dürfen während des Betriebs und einige Zeit danach nicht berührt werden.

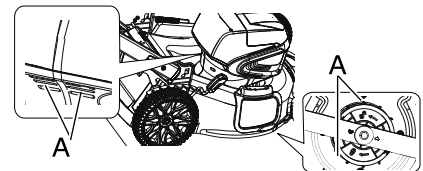
Beim Berühren heißer Teile können Sie sich Verbrennungen zuziehen.



- Beugen Sie sich nicht zu weit über und halten Sie stets das Gleichgewicht, um einen sicheren Tritt und Stand an Hängen sicherzustellen. Rennen Sie niemals, sondern gehen Sie.
- Das Gerät darf nie mit defekten Schutzschilden, ohne Sicherheitsschlüssel oder mit beschädigtem oder verschlissenen Kabel betrieben werden.

## WICHTIG

- Halten Sie die Lüftungsschlitze (A) immer sauber.



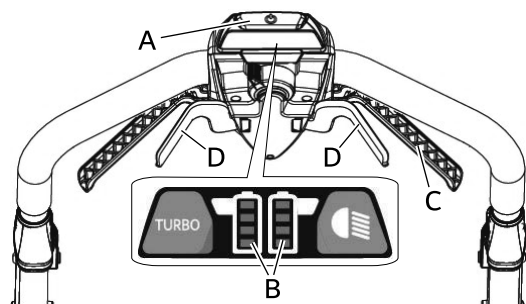
## Starten des Geräts

## WARNUNG

- Wenn der Einschaltknopf und der Auslöse- oder Fahrschalter bei eingelegtem Akku betätigt werden, drehen sich das Messer und die Räder. Achten Sie darauf, dass das Gerät richtig positioniert ist, damit Sie nicht die Kontrolle verlieren – es besteht schwere Verletzungsgefahr.

## WICHTIG

- Verwenden Sie das Gerät und den Akku bei Temperaturen zwischen 0 °C und 40 °C.
- Überprüfen Sie den Schutzschild, bevor Sie den Akku einlegen und den Sicherheitsschlüssel einstecken, um sicherzustellen, dass sich kein Gras am Messer verfangen hat. Kontrollieren Sie außerdem, dass sich das Messer frei und ordnungsgemäß von Hand drehen kann. Verwenden Sie hierzu feste Handschuhe.



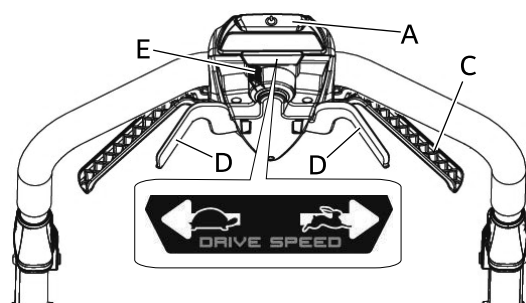
1. Stellen Sie sicher, dass der Sicherheitsschlüssel im Schlitz des Akkufachs steckt.
2. Drücken Sie den Einschaltknopf (A) und betätigen Sie den Auslöseschalter (C) oder den Fahrschalter.
  - \* Die Betriebsanzeige-LED (B) leuchtet und zeigt den Ladezustand an. Prüfen Sie den Ladezustand.
3. Lassen Sie den Einschaltknopf (A), den Auslöseschalter (C) und den Fahrschalter (D) los. Nach einer Weile erlischt die Betriebsanzeige-LED (B) automatisch.
4. Lassen Sie den Einschaltknopf (A) gedrückt und betätigen Sie den Auslöseschalter (C). Das Messer beginnt, sich mit der vorgesehenen Betriebsgeschwindigkeit zu drehen.
5. Lassen Sie den Einschaltknopf (A) los. Das Messer dreht sich weiterhin mit der vorgesehenen Betriebsgeschwindigkeit.
  - \* Beim Loslassen des Auslöseschalters (C) wird das Messer ausgeschaltet.

### Schiebemodus.

- (1) Das Gerät lässt sich durch Schieben bewegen.

### Selbstantrieb

- (1) Stellen Sie den Fahrgeschwindigkeitsregler (E) auf die Fahrgeschwindigkeit ein.
  - \* Das Symbol „Hase“ bedeutet schnell und das Symbol „Schildkröte“ bedeutet langsam.
- (2) Drücken Sie den Fahrschalter (D). Die Räder bewegen sich in Vorwärtsrichtung und werden bis auf die eingestellte Geschwindigkeit beschleunigt.
  - \* Beim Loslassen des Fahrschalters (D) hören die Räder auf sich zu drehen, und das Gerät hält an.
  - \* Wenn Sie den Auslöseschalter (C) loslassen, aber der Einschaltknopf (A) und der Fahrschalter (D) weiterhin gedrückt bleiben, beginnen sich die Räder zu drehen.
  - \* Die Fahrgeschwindigkeit lässt sich während des Fahrens mit dem Fahrgeschwindigkeitsregler (E) verstellen.



## WICHTIG

- Ziehen Sie das Gerät niemals zurück, während der Selbstantrieb ausgewählt ist. Wenn Sie den Rasenmäher von einer Wand oder einem Hindernis weg rückwärts bewegen müssen, schauen Sie zuerst nach unten und hinter sich, um ein Stolpern zu vermeiden, und befolgen Sie dann diese Schritte:
  - (1) Lassen Sie den Auslöseschalter und den Fahrschalter los.
  - (2) Treten Sie vom Rasenmäher zurück, um Ihre Arme vollständig auszustrecken.
  - (3) Achten Sie auf einen sicheren Stand.
  - (4) Ziehen Sie das Gerät langsam zurück.
- \* Achten Sie vor und während Sie das Gerät zurückziehen auf kleine Kinder und andere Personen.
- Sollte das Gerät auf einen Fremdkörper treffen, befolgen Sie diese Schritte:
  - (1) Lassen Sie den Auslöseschalter und den Fahrschalter los.
  - (2) Ziehen Sie den Sicherheitsschlüssel ab und nehmen Sie die Akkus heraus.
  - (3) Prüfen Sie das Gerät auf mögliche Schäden.
  - (4) Beheben Sie alle Schäden, bevor Sie das Gerät neu starten und wieder verwenden.

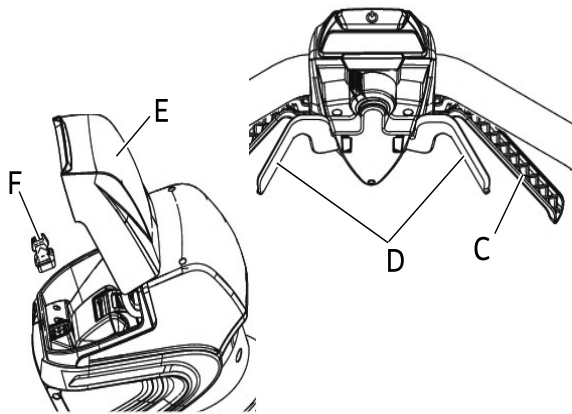


## Stoppen des Geräts

### ⚠️ WARNUNG

- Das Messer und die Räder laufen nach Ausschalten des Geräts für kurze Zeit weiter.
- Wenn das Messer oder die Räder beim Loslassen des Auslöseschalters und des Fahrschalters nicht anhalten, öffnen Sie die Akkuklappe, ziehen Sie den Sicherheitsschlüssel ab und entfernen Sie den Akku, um die Stromversorgung des Geräts zu unterbrechen. Lassen Sie das Gerät von einem zugelassenen Kundendiensthändler reparieren, bevor Sie es wieder verwenden.

# Betrieb

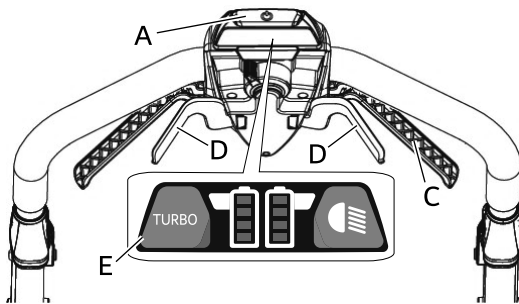


1. Lassen Sie den Auslöseschalter (C) und den Fahrshalter (D) los, um das Messer und die Räder anzuhalten.
  - \* Wenn Sie den Auslöseschalter (C) weiterhin drücken und der Fahrshalter (D) losgelassen wird, dreht sich das Messer weiter. Wenn Sie dann den Fahrshalter (D) drücken, beginnen sich die Räder zu drehen und das Gerät fährt vorwärts.
  - \* Wenn Sie den Fahrshalter (D) weiterhin drücken und der Auslöseschalter (C) losgelassen wird, drehen sich die Räder weiter und das Gerät fährt vorwärts. Wenn Sie dann den Auslöseschalter (C) drücken, dreht sich das Messer wieder.
  - \* Öffnen Sie nach abgeschlossener Arbeit die Akkuklappe (E) und entfernen Sie den Sicherheitsschlüssel (F) und den Akku.

## Turbomodus des Messers

### HINWEIS

Zur schnelleren Bewegung kann das Messer in den Turbomodus geschaltet werden.

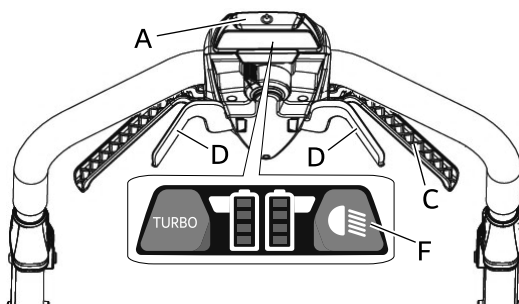


1. Wenn Sie den Einschaltknopf (A), den Auslöseschalter (C) oder den Fahrshalter (D) betätigen und die Turbo-Taste (E) drücken, wird das Messer in den Turbomodus geschaltet und die Turbo-Taste (E) leuchtet.
  - \* Sie können den Turbomodus einschalten, während das Messer und die Räder eingeschaltet sind.
  - \* Nachdem Sie das Messer oder die Räder einmal eingeschaltet haben, müssen Sie nur noch die Turbo-Taste (E) drücken, um den Turbomodus einzuschalten.
2. Drücken Sie die Turbo-Taste (E) erneut, um den Turbomodus auszuschalten. Das Licht erlischt dann.

## Scheinwerfer-Modus

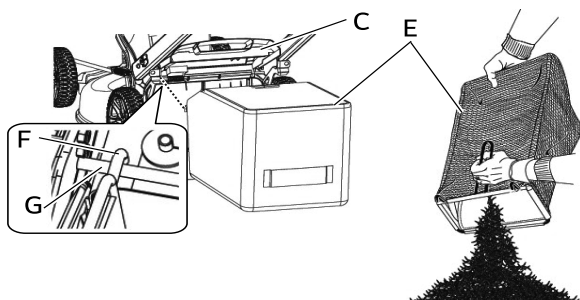
### ⚠️ WARNUNG

○ Das Gerät umfasst LED-Scheinwerfer. Nicht in das Licht schauen und während Wartungsarbeiten einen Augenschutz tragen.



1. Wenn Sie den Einschaltknopf (A), den Auslöseschalter (B) oder den Fahrshalter (D) betätigen und die LED-Scheinwerfertaste (F) drücken, wird der Scheinwerfer-Modus eingeschaltet. Die LED-Scheinwerfer leuchten, während das Messer oder die Räder eingeschaltet sind.
  - \* Sie können den Scheinwerfer-Modus einschalten, während sich das Gerät in Betrieb befindet.
  - \* Nachdem Sie das Messer oder die Räder einmal eingeschaltet haben, müssen Sie nur noch die LED-Scheinwerfertaste (F) drücken, um den Scheinwerfer-Modus einzuschalten.
2. Drücken Sie die LED-Scheinwerfertaste (F) erneut, um den Scheinwerfer-Modus auszuschalten.
3. Drücken Sie einfach die LED-Scheinwerfertaste (F) erneut, um den Scheinwerfer-Modus wieder einzuschalten.

## Grasfangkorb leeren

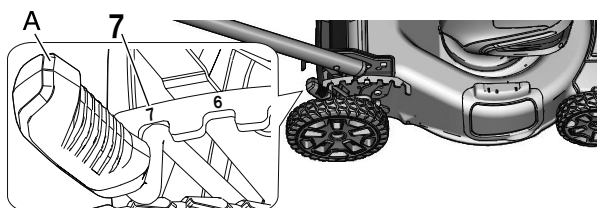


1. Ziehen Sie den Sicherheitsschlüssel ab und nehmen Sie den Akkusatz heraus.
2. Öffnen Sie die Heckauswurfklappe (C) und lösen Sie die Haken (F) an der Klappenstange (G), um den Grasfangkorb (E) zu entfernen.
3. Schließen Sie die Heckauswurfklappe (C).
4. Leeren Sie den Grasfangkorb (E).

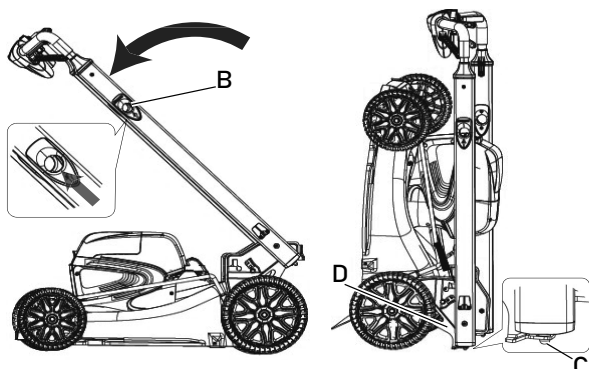
## Gerät in aufrechter Stellung lagern

### WICHTIG

- Das Gerät kann in aufrechter Stellung gelagert werden.
- Stellen Sie es in dem Fall auf einer ebenen Fläche ab, um ein Umkippen zu vermeiden.
- Lagern Sie das Gerät erst, nachdem Sie die erforderlichen Arbeiten zum Schutz des Geräts ausgeführt haben.



1. Ziehen Sie den Sicherheitsschlüssel ab und entfernen Sie den Akkusatz.
2. Entfernen Sie den Grasfangkorb.
3. Bringen Sie den Höhenverstellhebel (A) in Stellung 7.



4. Ziehen Sie an den Grifföchern (B), um die Griffe zu lösen.
5. Klappen Sie die Griffe so weit nach unten, bis die Griffstifte (C) einrasten.
6. Stellen Sie das Gerät auf den Boden und stellen Sie sicher, dass die Halterungen (D) den Boden berühren.

## Fehleranzeige

### WICHTIG

- Die Anzahl der Signaltöne kann Aufschluss über die Behebung eines Problems geben.

# Betrieb

Anzahl der Signaltöne	Symptom	Abhilfe
1	Das Gerät startet nicht.	Wenden Sie sich an einen zugelassenen Händler.
2	Das Gerät hört auf zu laufen.	Lassen Sie das Gerät ausreichend abkühlen. Wenn das Problem weiterhin besteht, wenden Sie sich an einen zugelassenen Händler.
3	Das Gerät startet nicht.	Prüfen Sie den Akkusatz und die Klemmen auf Korrosion oder Schmutz. Wenn das Problem weiterhin besteht, wenden Sie sich an einen zugelassenen Händler.
4	Das Gerät startet, aber stoppt dann, oder startet nicht.	Starten Sie das Gerät. Mähen Sie den Rasen zunächst nicht ganz und mähen Sie dann normal weiter. Wenn das Problem weiterhin besteht, wenden Sie sich an einen zugelassenen Händler.
5	Das Gerät startet nicht.	Laden Sie den Akku ganz auf und versuchen Sie es erneut. Wenn das Problem weiterhin besteht, wenden Sie sich an einen zugelassenen Händler.
6	Das Gerät hört auf zu laufen.	Lassen Sie den Akku abkühlen. Wenn das Problem weiterhin besteht, wenden Sie sich an einen zugelassenen Händler.
7	Das Gerät startet, aber stoppt dann, oder startet nicht.	Stellen Sie das Gerät auf ebenem Boden ab und versuchen Sie es erneut. Wenn das Problem weiterhin besteht, wenden Sie sich an einen zugelassenen Händler.
8	Das Messer dreht sich nicht.	Nehmen Sie die Akkus heraus, ziehen Sie den Schlüssel ab, entfernen Sie Schmutz oder Ähnliches und versuchen Sie es erneut.
9	Das Gerät läuft nicht mit voller Geschwindigkeit.	Starten Sie das Gerät. Mähen Sie den Rasen zunächst nicht ganz und mähen Sie dann normal weiter. Wenn das Problem weiterhin besteht, wenden Sie sich an einen zugelassenen Händler.

- ♦ Bei Problemen oder Störungen, die nicht in der obigen Tabelle genannt werden, wenden Sie sich an Ihren Händler.
- ♦ Informationen zur vorschriftsmäßigen Entsorgung des Produkts oder seiner Einzelteile erhalten Sie bei Ihrem Händler.

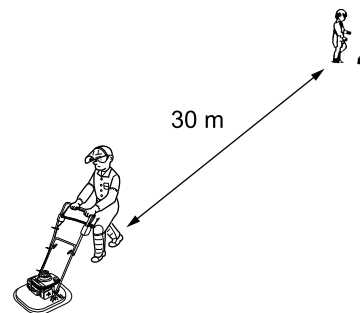
## GEFAHR

- **Wenn Messer oder Räder festsitzen, müssen Sie das Gerät immer stoppen und den Sicherheitsschlüssel und den Akku entfernen.**

Wenn die Blockierung beseitigt wird und das Messer und die Räder plötzlich anlaufen, kann es zu schweren Verletzungen kommen.

- **Der Bereich in einem Radius von 30 m rund um dieses Gerät gilt als Gefahrenzone. Beachten Sie bei der Arbeit mit diesem Gerät folgende Sicherheitsregeln:**

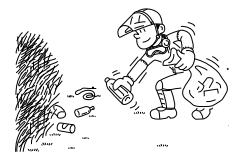
- ◆ Lassen Sie keine Personen (insbesondere Kinder) oder Tiere in die Gefahrenzone.
- ◆ Wenn eine andere Person die Gefahrenzone betritt, schalten Sie das Gerät aus, damit sich das Messer und die Räder nicht mehr bewegen.
- ◆ Wenn Sie sich dem Bediener nähern möchten, signalisieren Sie ihm Ihre Absicht, indem Sie z. B. Zweige von außerhalb der Gefahrenzone werfen, und vergewissern Sie sich dann, dass das Messer und die Räder stillstehen.
- ◆ Wenn mehrere Personen mit dem Produkt arbeiten, vereinbaren Sie eine Art der gegenseitigen Kommunikation, und arbeiten Sie mit mindestens 30 m Abstand voneinander.



Wenn Fremdkörper vom Gerät, einschließlich Messer und Räder, weggeschleudert werden, sowie jeglicher Kontakt mit dem Gerät und diesen können zur Erblindung oder einem tödlichen Unfall führen.

## WARNUNG

- **Bevor Sie mit der Arbeit beginnen, überprüfen Sie den Bereich, in dem Sie arbeiten werden, und entfernen Sie alle kleinen Steine und leeren Dosen, die vom Gerät einschließlich Messer und Räder, weggeschleudert werden könnten, sowie alle Schnur- oder Drahtstücke, die sich um das Gerät einschließlich der Räder wickeln könnten. Planen Sie außerdem Ihr Mähmuster, um zu vermeiden, dass Material möglicherweise auf Straßen, Gehwege, Umstehende und dergleichen geworfen wird.**



Wenn Fremdkörper vom Gerät weggeschleudert werden oder sich Drähte oder andere Materialien um das Gerät wickeln, kann dies zu Unfällen bzw. schweren Verletzungen führen.

- **Schalten Sie das Gerät in den folgenden Situationen sofort aus, stellen Sie sicher, dass das Messer und die Räder zum Stillstand gekommen sind, und entfernen Sie den Sicherheitsschlüssel und die Akkus, bevor Sie jeden Bereich des Geräts überprüfen. Ersetzen Sie beschädigte Teile durch neue.**

- ◆ Wenn das Gerät, einschließlich des Messers, beim Arbeiten mit einem Stein, Baum, Pfosten oder einem anderen Hindernis in Berührung kommt.
- ◆ Wenn das Gerät plötzlich beginnt, ungewöhnlich zu vibrieren.

Wenn beschädigte Teile weiter verwendet werden, kann dies zu Unfällen bzw. schweren Verletzungen führen.

- **Verwenden Sie das Gerät nicht an Hängen, die steiler als 15 Grad sind.**

Die Arbeit an Hängen kann Rutsch- und Sturzunfälle verursachen, die zu schweren Verletzungen führen können. Seien Sie bei der Arbeit an Hängen besonders vorsichtig. Wenn Sie an einem Hang ein unsicheres Gefühl haben, mähen Sie dort nicht.

### Transport des Geräts

- **Wenn Sie das Gerät in den nachstehend beschriebenen Situationen transportieren, schalten Sie das Messer aus und stellen Sie sicher, dass sich das Messer nicht mehr dreht:**

- ◆ Sie suchen Ihren Arbeitsbereich auf.
- ◆ Sie wechseln im Verlauf der Arbeit den Arbeitsbereich.
- ◆ Sie verlassen Ihren bisherigen Arbeitsbereich.

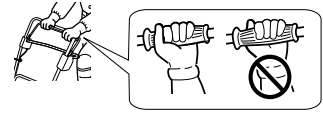
- **Zum Transport des Geräts in Kraftfahrzeugen entnehmen Sie den Akku aus dem Gerät und sichern Sie das Gerät so, dass es nicht verrutschen kann.**

Bei Nichtbeachtung dieser Sicherheitsregeln können Verbrennungen oder andere schwere Verletzungen die Folge sein.

# Trimmen

## ⚠️ WARNUNG

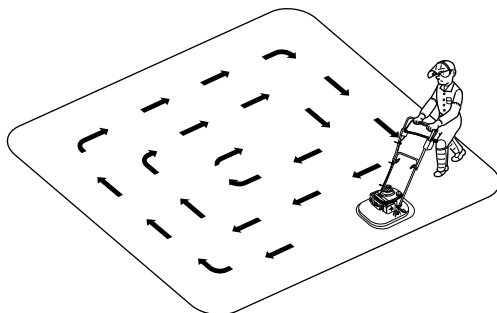
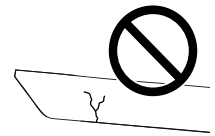
- Beugen Sie sich nicht zu weit über, achten Sie stets auf sicheren Tritt und Stand und halten Sie das Gleichgewicht.
- Wenn Sie das Gefühl haben, den Halt zu verlieren, lassen Sie den Steuergriff sofort los, und das Messer und die Räder hören innerhalb von drei Sekunden auf, sich zu drehen.
- Halten Sie die Griffe immer so, dass sie von Daumen und übrigen Fingern fest umschlossen sind.
- Halten Sie die Handgriffe und Griffflächen trocken, sauber und frei von Öl und Fett.  
Rutschige Griffe und Griffflächen erschweren die Handhabung des Geräts und erschweren es in unerwarteten Situationen, das Gerät unter Kontrolle zu halten.



## Einfaches Trimmen mit Metallmesser

## ⚠️ WARNUNG

- Befolgen Sie beim Mähen die folgenden Anweisungen:
  - ◆ Vergewissern Sie sich, dass Messer und Räder fest angezogen sind.
  - ◆ Tauschen Sie Schutzschild, Grasfangkorb, Mulchstopfen und seitlichen Auswurfkanal bei Schäden oder Rissen aus.
  - ◆ Tauschen Sie das Messer und die Radmuttern bei Verschleiß aus.
  - ◆ Lassen Sie das Messer nicht den Erdboden berühren.
  - ◆ Arbeiten Sie nicht mit einem stumpfen, verbogenen, gebrochenen oder verfärbten Messer und nicht mit verschlissenen oder beschädigten Rädern oder Muttern.Andernfalls kann es zu Unfällen bzw. schweren Verletzungen kommen.
- Verwenden Sie nur von der YAMABIKO Corporation empfohlene Messer und Räder. Die YAMABIKO Corporation übernimmt keine Verantwortung für das Versagen von Schneidvorrichtungen, Ersatz- oder Zubehörteilen, die nicht von der YAMABIKO Corporation geprüft und zugelassen wurden und die für die Verwendung mit diesem Gerät nicht geeignet sind.
- Das Messer muss Art und Größe des zu schneidenden Materials entsprechen. Ein falsches oder stumpfes Messer kann zu Verletzungen führen. Messer müssen scharf sein. Stumpfe Messer erhöhen die Gefahr eines Rückschlags und die Verletzungsgefahr für sich selbst und andere Personen.  
Beschädigte oder gebrochene Messer können Unfälle bzw. schwere Verletzungen verursachen.
- Seien Sie beim Durchtrennen von Gestrüpp oder jungen Trieben, die unter Spannung sind, auf eine mögliche „Schnalzbewegung“ gefasst. Sowie die Holzfasern durchtrennt werden, wird die Spannung freigesetzt, und ein Strauch oder junger Trieb kann den Bediener treffen und/oder das Gerät aus der Bahn werfen.
- Seien Sie extrem vorsichtig, wenn Sie Gestrüpp schneiden, denn Kleingeäst kann sich im Messer verfangen, in Ihre Richtung geschleudert werden oder Sie aus dem Gleichgewicht bringen.  
Andernfalls kann es zu Unfällen bzw. tödlichen Verletzungen kommen.



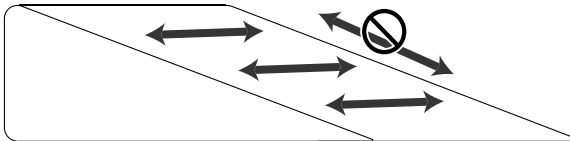
- ◆ Mähen Sie bei großen, ebenen Flächen im Uhrzeigersinn von außen nach innen.
- ◆ Denken Sie daran, dass nasses Gras rutschig sein wird.
- ◆ Halten Sie den Griff des Geräts während der Arbeit mit beiden Händen fest und arbeiten Sie so, dass der Schutzschild immer parallel zum Boden ist.
- ◆ Verwenden Sie bei Flächen mit grobem und hohem Gras zuerst eine hohe Schnitthöhe und danach eine niedrigere Höhe.
- ◆ Nasses Gras kann leicht am Gerät haften bleiben. Entfernen Sie es deshalb zwischendurch. Tragen Sie beim Reinigen Handschuhe, entfernen Sie immer den Sicherheitsschlüssel und den Akku und stellen Sie sicher, dass das Messer zum vollständigen Stillstand kommt.

## Arbeit an Hängen

### **⚠️ WARNUNG**

- Verwenden Sie das Gerät nicht an Hängen, die steiler als 15 Grad sind.
- Achten Sie auf Löcher, Wurzeln, Steine, verborgene Objekte oder Unebenheiten, die zum Ausrutschen oder Stolpern führen können. Hohes Gras kann Hindernisse verbergen. Entfernen Sie alle Hindernisse wie Steine und Zweige.
- Achten Sie auf einen sicheren Stand. Wenn Sie das Gleichgewicht verlieren, lassen Sie den Schalter sofort los.
- Halten Sie bei Verwendung des Selbstantriebs eine niedrige Geschwindigkeit ein.
- Gehen Sie bei einem Richtungswechsel äußerst vorsichtig vor.
- Mähen Sie niemals auf und ab.
- Mähen Sie niemals in der Nähe von Abhängen, Gräben oder Böschungen. Mähen Sie niemals nasses Gras.

Die Arbeit an Hängen kann Rutsch- und Sturzunfälle verursachen, die zu schweren Verletzungen führen können. Seien Sie bei der Arbeit an Hängen besonders vorsichtig. Wenn Sie an einem Hang ein unsicheres Gefühl haben, mähen Sie dort nicht.



- ◆ Arbeiten Sie immer quer zum Hang, niemals bergauf oder bergab.

# Wartung und Pflege

## **! WARNUNG**

Beachten Sie die folgenden Sicherheitsregeln, wenn Sie das Produkt nach dem Gebrauch überprüfen und warten:

- Schalten Sie das Gerät aus, entfernen Sie den Akku und vergewissern Sie sich, dass alle beweglichen Teile zu einem kompletten Stillstand gekommen sind.

Es besteht Unfallgefahr, wenn das Produkt unerwartet in Bewegung geht.

- Lassen Sie das Gerät abkühlen, bevor Sie Wartungsarbeiten durchführen.  
Andernfalls können Sie sich verbrennen.

- Versuchen Sie nicht, schadhafte Akkus instandzusetzen. Die Instandsetzung von Akkus soll nur durch den Hersteller oder hierfür autorisierte Betriebe erfolgen.

## **WICHTIG**

- Für die Überprüfung und Wartung sind entsprechende Fachkenntnisse erforderlich. Wenn Sie das Produkt nicht selbst überprüfen, warten oder instand setzen können, wenden Sie sich an Ihren Händler. Versuchen Sie nicht, das Produkt zu zerlegen.
- Säubern Sie die Maschine mit einem trockenen Tuch. Verwenden Sie kein Wasser.

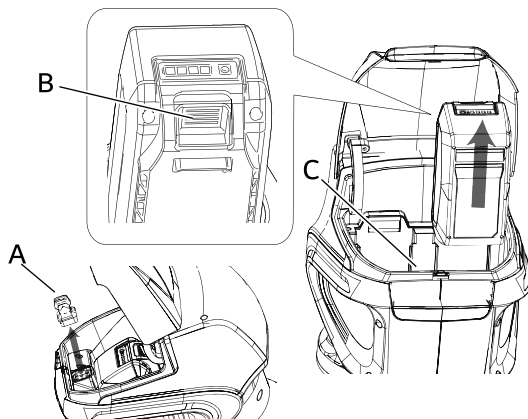
## Wartungsrichtlinien

Komponente	Wartung	Seite	Vor der Verwendung	Monatlich
Akku / Akkufach	Überprüfen / Reinigen / Laden	30	•	
Messer	Überprüfen / Reinigen	28,32	•	
Rad	Überprüfen / Reinigen	32	•	
Schutzschild, hinterer Schild	Überprüfen / Reinigen	32	•	
Auswurfkanäle	Überprüfen / Reinigen	32	•	
Schrauben, Bolzen und Muttern	Überprüfen / Anziehen / Ersetzen	-	•	

## Wartung und Pflege

Bei Fragen oder Problemen wenden Sie sich bitte an Ihren ECHO-HÄNDLER.

### Reinigen von Akku und Akkufach



## **! WARNUNG**

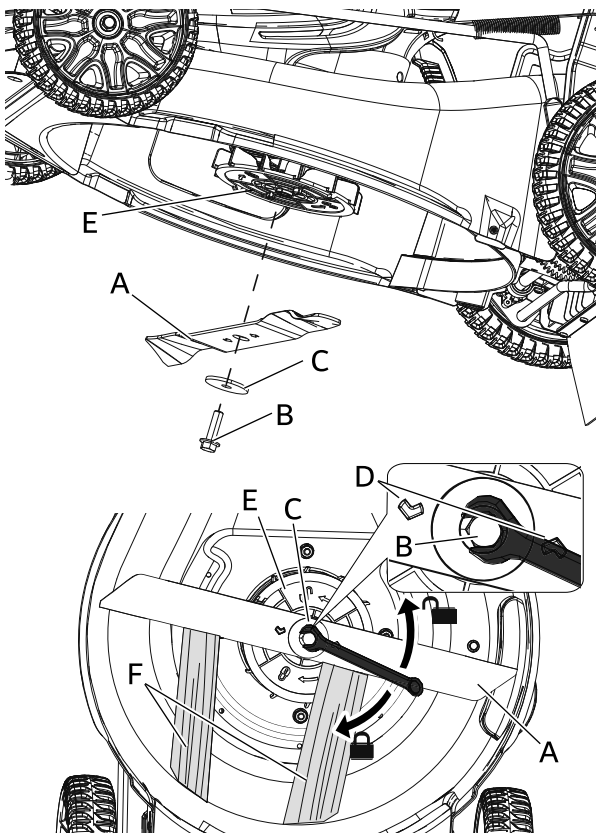
- **Stromschlag- und Brandgefahr.** Verwenden Sie zum Reinigen des Akkus und des Akkufachs keine leitenden Materialien.

1. Lassen Sie den Einschaltknopf, den Auslöseschalter und den Fahrschalter los und warten Sie, bis das Messer und die Räder zum Stillstand gekommen sind.
2. Ziehen Sie den Sicherheitsschlüssel (A) ab.
3. Drücken Sie auf die Akkuverriegelung (B) und schieben Sie den Akkusatz aus dem Akkufach (C).
4. Entfernen Sie Schmutz von Akku und Akkufach (C) mit Druckluft oder einer weichen Bürste.

## Montage des Messers

### **⚠️ WARNUNG**

- Tragen Sie beim Arbeiten mit dem Messer feste Handschuhe.
- Wenn Sie das Messer während der Arbeit austauschen müssen, lassen Sie den Einschaltknopf, den Auslöseschalter und den Fahrschalter los und stellen Sie sicher, dass das Messer und die Räder zum Stillstand gekommen sind und dass der Sicherheitsschlüssel und die Akkus entfernt wurden.
- Versuchen Sie nicht, das Messer mit einer Hand oder ohne Verwendung eines Schraubenschlüssels oder einer Stecknuss zu montieren. Befestigen Sie das Messer ordnungsgemäß mit einem Schraubenschlüssel oder einer Stecknuss, und ziehen Sie es in der richtigen Position fest.
- Verwenden Sie zum Festziehen des Messer ausschließlich einen geeigneten Schraubenschlüssel oder eine Stecknuss. Die Verwendung eines Druckluft- oder elektrisch betriebenen Geräts könnte dazu führen, dass das Messer übermäßig fest angezogen wird und dass die Schraube oder der Antriebskopf brechen.
- Bei Verwendung einer abgenutzten Schraube zur Befestigung des Messers besteht die Gefahr, dass sich das Messer lockert. Ersetzen Sie diese Teile durch neue.  
Andernfalls kann es zu Verletzungen bzw. schweren Unfällen kommen.



### **Ausbau**

1. Stoppen Sie das Gerät. Stellen Sie sicher, dass das Messer (A) zum vollständigen Stillstand gekommen ist.
2. Ziehen Sie den Sicherheitsschlüssel ab und nehmen Sie die Akkus heraus.
3. Prüfen Sie das neue Messer (A) vor der Montage. Überprüfen Sie die Schärfe.
4. Verhindern Sie mit einem Stück Holz (F) oder einem speziellen Haltewerkzeug für Rasenmähermesser, dass sich das Messer (A) bewegen kann.
5. Lösen Sie die Befestigungsschraube (B) mit einem Schraubenschlüssel oder einer Stecknuss gegen den Uhrzeigersinn und bauen Sie die Befestigungsschraube (B) und das Distanzstück (C) aus.
6. Entfernen Sie das Messer (A).

### **Einbau**

### **⚠️ VORSICHT**

- Verhindern Sie mit einem Stück Holz oder einem speziellen Haltewerkzeug für Rasenmähermesser, dass sich die Antriebswelle während der Montage des Messers bewegen kann. Andernfalls kann die Mutter zur Befestigung des Messers nicht ausreichend festgezogen werden.

7. Setzen Sie das neue Messer (A) auf und stellen Sie sicher, dass die Pfeile (D) am Antriebskopf in die Löcher am Messer (A) eingreifen. Setzen Sie das Distanzstück (C) und die Befestigungsschraube (B) ein und drehen Sie die Befestigungsschraube (B) von Hand im Uhrzeigersinn.

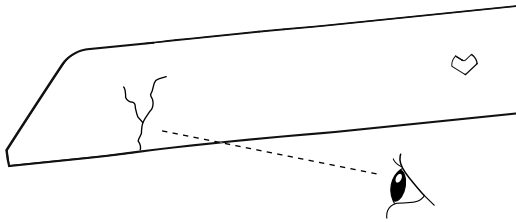
### **⚠️ VORSICHT**

- Niemals mit voller Kraft anziehen. Ansonsten könnte das Gewinde an der Schraube (B) oder am Antriebskopf (E) beschädigt werden.

8. Ziehen Sie die Befestigungsschraube (B) mit einem Schraubenschlüssel oder einer Stecknuss im Uhrzeigersinn fest an, um das Distanzstück (C) und das Messer sicher zu befestigen. Empfohlenes Anzugsdrehmoment: 33–37 Nm.
9. Entfernen Sie das Stück Holz (F) oder das spezielle Haltewerkzeug für Rasenmähermesser.
10. Prüfen Sie, dass sich das Messer frei und ordnungsgemäß von Hand drehen kann. Verwenden Sie hierzu feste Handschuhe.

# Wartung und Pflege

## Überprüfen des Messers



- ♦ Verwenden Sie nur Messer, die vom Hersteller für dieses Modell vorgesehen sind.
- ♦ Wenn das Messer einen Riss aufweist, ersetzen Sie es sofort durch ein neues.
- ♦ Achten Sie darauf, dass das Messer gemäß den Anweisungen montiert wird.
- ♦ Bei Zersplitterung oder Verformung vibriert das Messer stark. Ersetzen Sie es in diesem Fall sofort.
- ♦ Säubern Sie das Messer.

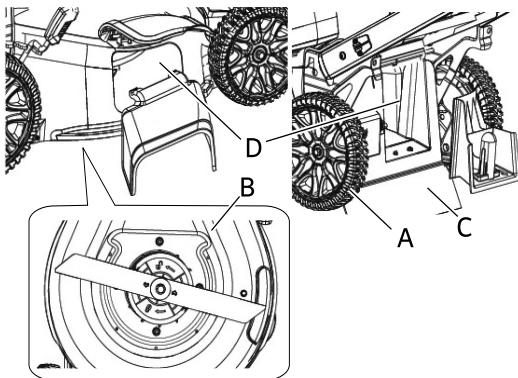
### **⚠ VORSICHT**

- Bei einem stumpfen Messer besteht ein höheres Risiko, dass es zu einer „Schnalzbewegung“ des Messers kommt.
- Kleine Risse können sich zu Brüchen entwickeln, so dass Teile des Messers während des Betriebs weggeschleudert werden.
- Lassen Sie das Messer ggf. von einer entsprechend kompetenten Person gleichmäßig schärfen.

## Gerät säubern

### **⚠ VORSICHT**

- Tragen Sie beim Arbeiten in der Nähe des Messers oder der Räder feste Handschuhe.
- Wenn Sie das Gerät säubern müssen, lassen Sie den Einschaltknopf, den Auslöseschalter und den Fahrshalter los und stellen Sie sicher, dass das Messer und die Räder zum Stillstand gekommen sind und dass der Sicherheitsschlüssel und die Akkus entfernt wurden. Andernfalls kann es zu Verletzungen bzw. schweren Unfällen kommen.
- Lassen Sie keine Bremsflüssigkeiten, Benzin, Materialien auf Erdölbasis, starke Lösungsmittel oder Reinigungsmittel mit den Kunststoffteilen in Kontakt kommen. Chemikalien können den Kunststoff bis zur Unbrauchbarkeit beschädigen.



1. Lassen Sie den Einschaltknopf, den Auslöseschalter und den Fahrshalter los.
2. Ziehen Sie den Sicherheitsschlüssel ab und nehmen Sie die Akkus heraus.
3. Reinigen und prüfen Sie die Räder (A), den Schutzschild (B), den hinteren Schild (C) und die Auswurfkanäle (D).

### **WICHTIG**

- Entfernen Sie Gras um die Wellen von Messer und Rädern.

## Fehlerbehebung

### WICHTIG

- Verwenden Sie nur Original-Ersatzteile und -Verbrauchsprodukte, die für das Produkt spezifiziert sind.  
Die Verwendung von Teilen anderer Hersteller oder nicht zugelassenen Produkten kann zu Fehlfunktionen führen.

Problem	Ursache	Abhilfe
Rote Ladegerätlampe blinkt oder Lampe leuchtet nicht auf	<ol style="list-style-type: none"> <li>1. Stecker nicht mit der Steckdose verbunden</li> <li>2. Akku ist nicht korrekt installiert</li> <li>3. Schlechter Kontakt</li> <li>4. Fehler im Ladegerät</li> <li>5. Fehler im Akku</li> </ol>	<ol style="list-style-type: none"> <li>1. Stecken Sie das Ladegerät ein.</li> <li>2. Prüfen Sie den Einbau des Akkus.</li> <li>3. Bauen Sie den Akku mit gereinigten Kontakten wieder ein.</li> <li>4. Wenden Sie sich an Ihren Händler.</li> <li>5. Wenden Sie sich an Ihren Händler.</li> </ol>
Gerät läuft nicht, obwohl es eingeschaltet ist	<ol style="list-style-type: none"> <li>1. Akku ist nicht korrekt installiert</li> <li>2. Akku entladen</li> <li>3. Fadenkopf verschmutzt</li> <li>4. Akkutemperatur zu hoch oder zu niedrig</li> <li>5. Gras sitzt zwischen Schutzschild und Messer oder Rädern fest</li> <li>6. Der Akkusatz muss möglicherweise gewartet oder ausgetauscht werden</li> </ol>	<ol style="list-style-type: none"> <li>1. Prüfen Sie den Einbau des Akkus.</li> <li>2. Laden Sie den Akku.</li> <li>3. Schalten Sie das Gerät aus und reinigen Sie das Schneidwerk.</li> <li>4. Bauen Sie den Akku aus, und lassen Sie den Akku abkühlen.</li> <li>5. Entfernen Sie den Akku und den Sicherheitsschlüssel und prüfen Sie unter dem Schutzschild auf Blockierungen.</li> <li>6. Wenden Sie sich an Ihren Händler oder tauschen Sie den Akku aus.</li> </ol>
Laufzeit ist zu kurz	<ol style="list-style-type: none"> <li>1. Akkutemperatur zu hoch oder zu niedrig</li> <li>2. Geräteelektronik zu heiß</li> <li>3. Akku entladen</li> </ol>	<ol style="list-style-type: none"> <li>1. Bauen Sie den Akku aus, und lassen Sie den Akku abkühlen.</li> <li>2. Schalten Sie das Gerät aus, und lassen Sie das Gerät abkühlen.</li> <li>3. Laden Sie den Akku.</li> </ol>
Gras wird ungleichmäßig gemäht	<ol style="list-style-type: none"> <li>1. Der Rasen ist uneben oder ungleichmäßig lang</li> <li>2. Die Schnitthöhe ist nicht korrekt eingestellt</li> <li>3. Das Messer ist stumpf</li> </ol>	<ol style="list-style-type: none"> <li>1. Prüfen Sie die zu mähende Fläche.</li> <li>2. Wählen Sie eine höhere Einstellung für den Höheneinstellhebel aus.</li> <li>3. Schärfen Sie das Messer oder tauschen Sie es aus.</li> </ol>
Das Gerät ist übermäßig laut und vibriert	<ol style="list-style-type: none"> <li>1. Die Messer- oder eine Radwelle ist verbogen</li> <li>2. Das Messer oder ein Rad ist nicht korrekt ausgewuchtet</li> </ol>	<ol style="list-style-type: none"> <li>1. Stoppen Sie das Gerät und prüfen Sie es auf mögliche Schäden. Setzen Sie sich zur Reparatur mit Ihrem Händler in Verbindung.</li> <li>2. Reparieren Sie das Gerät, bevor Sie es wieder in Betrieb setzen. Wenn das Gerät weiterhin vibriert, wenden Sie sich an Ihren Händler.</li> </ol>
Das Gerät lässt sich nur schwer schieben oder mit dem Selbstantrieb bewegen	<ol style="list-style-type: none"> <li>1. Das Gras ist zu lang oder es wurde eine zu niedrige Schnitthöhe ausgewählt</li> <li>2. Der Grasfangkorb bleibt hinten im dichten Gras hängen</li> </ol>	<ol style="list-style-type: none"> <li>1. Wählen Sie eine höhere Schnitthöhe aus.</li> <li>2. Leeren Sie den Grasfangkorb.</li> </ol>
Das Gerät mulcht nicht richtig	<ol style="list-style-type: none"> <li>1. Nasses Gras hängt an der Unterseite des Schutzschildes fest</li> <li>2. Der Mulchstopfen ist nicht angebracht</li> </ol>	<ol style="list-style-type: none"> <li>1. Nehmen Sie den Akkusatz heraus und säubern Sie das Gerät. Warten Sie mit dem Mähen, bis das Gras trocken ist.</li> <li>2. Bringen Sie den Mulchstopfen an.</li> </ol>

- ♦ Bei Problemen oder Störungen, die nicht in der obigen Tabelle genannt werden, wenden Sie sich an Ihren Händler.
- ♦ Informationen zur vorschriftsmäßigen Entsorgung des Produkts oder seiner Einzelteile erhalten Sie bei Ihrem Händler.

# Wartung und Pflege

## LAGERUNG

### **WARNUNG**

○ Lagern Sie das Gerät nicht in einem Raum, in dem sich brennbare Dämpfe ansammeln können.  
Es besteht Brandgefahr.



Gehen Sie folgendermaßen vor, wenn Sie das Gerät lange Zeit lagern möchten:

#### **Motoreinheit**

1. Schalten Sie die Stromzufuhr zu dem Gerät aus.
2. Bauen Sie den Sicherheitsschlüssel und den Akkusatz aus dem Akkugehäuse.
3. Entfernen Sie Ansammlungen von Schmutz und Fremdstoffen außen an dem Gerät.
4. Ziehen Sie alle Schrauben und Muttern fest.
5. Schließen Sie die Akkuklappe.
6. Lagern Sie das Gerät trocken, staubfrei und für Kinder unzugänglich.
7. Die Lagerung soll bei Temperaturen zwischen 0 °C und 40 °C erfolgen.

#### **Akku**

1. Nehmen Sie den Akku aus dem Akkugehäuse.
2. Decken Sie den Akku ab.
3. Wählen Sie für die Lagerung einen trockenen, staubfreien und für Kinder unzugänglichen Ort.
4. Die Lagerung sollte bei Temperaturen zwischen 0 °C und 40 °C erfolgen.
5. Wenn der Akku länger als ein Jahr gelagert wird, laden Sie ihn auf etwa 40 bis 60 % Kapazität auf und bewahren Sie ihn bei Temperaturen zwischen 10 °C und 30 °C auf.

#### **Akkuladegerät**

1. Nehmen Sie den Akku aus dem Akkuladegerät.
2. Decken Sie das Ladegerät ab.
3. Trennen Sie das Akkuladegerät vom Netz.
4. Wählen Sie für die Lagerung einen trockenen, staubfreien und für Kinder unzugänglichen Ort.

## Entsorgung



- ♦ Auf den größeren Kunststoffteilen des Produkts befindet sich jeweils eine Kennzeichnung (Code) des Werkstoffs. Diese Codes beziehen sich auf die folgenden Werkstoffe; entsorgen Sie diese Kunststoffteile unter Einhaltung der gesetzlichen Vorschriften Ihres Landes.

Markierung	Werkstoff
>PA6-GF<	Nylon 6 – Glasfaser
>PP-GF<	Polypropylen – Glasfaser
>PE-HD<	Polyethylen
>PP<	Polypropylen
>ABS<	Acrylnitril-Butadien-Styrol

- ♦ Wenn Sie Fragen zur korrekten Entsorgung von Kunststoffteilen haben, setzen Sie sich bitte mit Ihrem Fachhändler in Verbindung.
- ♦ Batterie enthält Lithium. Nur an den dafür vorgesehenen Sammelstellen entsorgen.
- ♦ Lithium-Ionen-Batterien müssen vorschriftsgemäß recycelt und entsorgt werden.

# Technische Daten

		<b>DLM-5100SP</b>		
<b>Außenabmessungen:</b> Länge × Breite × Höhe		1590 × 560 × 1190 mm		
<b>Gewicht:</b> Gerät ohne Akku, Grasfangkorb, Mulchstopfe und Seitlicher Auswurfkanal Gerät mit Akku		27,6 kg 31,7 kg		
<b>Messer:</b> Metallschneidkopf Maximale Drehzahl der Spindel		515 mm 2800 r/min, 3200r/min (Turbo)		
<b>Akku:</b> Typ Akkuspannung		LBP-56V125, LBP-56V250, LBP-50-150, LBP-50-250 Lithium-Ionen-Akku 56 Volt (Nennspannung 50,4 V)		
<b>Ladegerät:</b> Ladegeräteingangsspannung Ladezeit (circa)	V min	LC-56V4A 220 bis 240 V 38 (LBP-56V125) 75 (LBP-56V250) N/A (LBP-50-150)* N/A (LBP-50-250)*	LCJQ-560 220 bis 240 V 47 (LBP-56V125) 86 (LBP-56V250) 47 (LBP-50-150) 89 (LBP-50-250)	LCJU-560 220 bis 240 V 47 (LBP-56V125) 52 (LBP-56V250) 47 (LBP-50-150) 57 (LBP-50-250)
<b>Leuchten am Ladegerät:</b>		Rote LED – Akku nicht im Ladetemperaturbereich Rote LED blinkt – Fehler Grüne LED – Akku fertig geladen Grüne LED blinkt – Akku lädt normal		
<b>Schwingungspegel:</b> (EN IEC 62841-4-3) Unsicherheit:K		≤2,5 m/s <sup>2</sup> 1,5		
<b>Schalldruckpegel:</b> (EN IEC 62841-4-3) <b>Schalleistungspegel:</b> (EN IEC 62841-4-3) Unsicherheit		81,4 dB(A) 94,3 dB(A) 3,0 dB(A)		

\* Laden Sie den Akku LBP-50-150/LBP-50-250 nicht mit dem Ladegerät LC-56V4A.

Änderungen der technischen Daten vorbehalten.

Die Vibrations- und Geräuschemissionen während der tatsächlichen Nutzung des Geräts können von den deklarierten Werten abweichen, je nachdem, wie das Werkzeug eingesetzt und insbesondere für welche Art von Material es verwendet wird.

# Konformitätserklärung

---

Der unterzeichnete Hersteller:

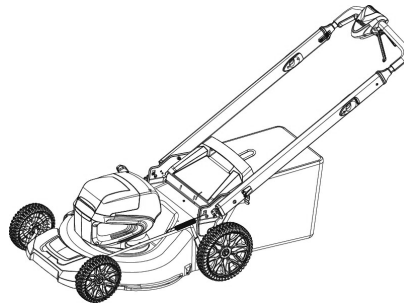
YAMABIKO CORPORATION  
1-7-2 Suehirocho, Ohme, Tokio 198-8760 JAPAN

Diese Konformitätserklärung wird unter der alleinigen Verantwortung des Herstellers erstellt.

Erklärt, dass das nachstehend spezifizierte neue Gerät:

## **RASENMÄHER**

**Marke: ECHO**  
**Typ: DLM-5100SP**



Folgendes erfüllt:

- \* Anforderungen der Richtlinie **2006/42/EG** (Anwendung der harmonisierten Norm **EN 62841-1: 2015+A11:2022, EN IEC 62841-4-3: 2021+A11: 2021**)
- \* Anforderungen der Richtlinie **2014/30/EU** (Anwendung der harmonisierten Norm **EN 55014-1: 2017+A11: 2020, EN 55014-2: 1997+A1: 2001+A2: 2008**)
- \* Anforderungen der Richtlinie **2000/14/EG** abgeändert durch **2005/88/EG**

Konformitätsbewertungsverfahren nach **ANHANG VI**

TÜV Rheinland LGA Products GmbH (benannte Stelle 0197)  
Tillystraße 2, 90431 Nürnberg – Deutschland

Gemessener Schalleistungspegel: 94 dB(A)

Garantierter Schalleistungspegel: 98 dB(A)

- \* Anforderungen der Richtlinie **2011/65/EU** (Anwendung der harmonisierten Norm **EN IEC 63000: 2018**)

Seriennummer E82335001001 bis E82335100000

Tokio, 1. Februar 2024

## **YAMABIKO CORPORATION**

  
\_\_\_\_\_

**Katsunori Kon**

**Hauptabteilungsleiter**  
**Abteilung Qualitätssicherung**

**Der Dokumentenbevollmächtigte in Europa, welcher autorisiert ist, die technischen Unterlagen zusammenzustellen.**

Unternehmen: CERTIFICATION EXPERTS B.V.

Adresse: Amerlandseweg 7, 3621 ZC Breukelen, Niederlande

**Herr Richard Glaser**

## NOTIZEN

# YAMABIKO CORPORATION

1-7-2 Suehirocho, Ohme, Tokio 198-8760 JAPAN  
TELEFON: 81-428-32-6118. FAX: 81-428-32-6145.



X750829-2201



IT ITALIANO  
(Istruzioni originali)

# MANUALE PER L'OPERATORE TOSAERBA DLM-5100SP

## AVVERTENZA



LEGGERE E SEGUIRE ATTENTAMENTE LE ISTRUZIONI PER LAVORARE IN CONDIZIONI DI MASSIMA SICUREZZA.  
LA MANCATA OSSERVANZA DELLE ISTRUZIONI POTREBBE PROVOCARE LESIONI GRAVI.

# Contenuto

---

Informazioni importanti .....	3
Per un uso sicuro del prodotto .....	4
Descrizione .....	14
Prima di iniziare .....	15
Contenuto della confezione .....	15
Carica della batteria .....	16
Montaggio .....	18
Regolazione dell'altezza di taglio .....	19
Fissaggio e rimozione della batteria .....	20
Funzionamento .....	22
Avvio dell'unità .....	22
Arresto dell'unità .....	23
Modalità turbo della lama di taglio .....	24
Modalità faro .....	24
Svuotare il cesto raccogliherba .....	25
Conservazione in posizione verticale .....	25
Visualizzazione degli errori .....	25
Operazioni di taglio .....	27
Funzionamento base del taglio con disco metallico .....	28
Funzionamento in pendenza .....	28
Manutenzione e cura .....	29
Guida alla manutenzione .....	29
Manutenzione e cura .....	29
Problemi tecnici .....	32
Rimessaggio .....	33
Smaltimento .....	33
Caratteristiche tecniche .....	34
Dichiarazione di conformità .....	35

# Informazioni importanti

---

**Si raccomanda di leggere il manuale per l'operatore prima di utilizzare questo prodotto.**

## ○ Tipologia di impiego del prodotto

- ♦ Questo prodotto è progettato per il controllo delle erbacce e il taglio dell'erba.
- ♦ Non utilizzare l'attrezzo per impieghi differenti da quelli per i quali è progettato.

## ○ Utenti del prodotto

- ♦ Prima di utilizzare questo prodotto leggere attentamente e familiarizzare con il contenuto del manuale per l'operatore.
- ♦ Non permettere mai ai bambini, alle persone con ridotte capacità fisiche, sensoriali o mentali o prive di esperienza e di conoscenza o a persone che non hanno familiarità con queste istruzioni di utilizzare la macchina, le normative locali potrebbero prevedere un'età minima dell'operatore.
- ♦ Tenere presente che l'operatore o l'utente è responsabile di eventuali rischi o incidenti provocati ad altre persone o alle proprietà altrui.

## ○ Informazioni sul manuale per l'operatore

- ♦ Questo manuale contiene informazioni necessarie per il funzionamento e la manutenzione del prodotto. Si raccomanda di attentamente il manuale, familiarizzando con il contenuto.
- ♦ Tenere sempre il manuale in un luogo facilmente accessibile.
- ♦ Se il manuale viene smarrito o danneggiato e non può essere consultato, acquistarne uno nuovo presso il rivenditore ECHO.
- ♦ Le unità di misura utilizzate in questo manuale sono espresse in conformità al sistema internazionale. Le cifre riportate tra parentesi sono valori di riferimento e in alcuni casi ci potrebbero essere lievi errori di conversione.

## ○ Prestito o cessione del prodotto

- ♦ In caso di prestito o cessione del prodotto descritto in questo manuale, consegnare alla persona che lo riceve in prestito e che dovrà utilizzarlo anche il manuale per l'operatore. Se si cede o vende il prodotto a terzi, consegnare anche il manuale per l'operatore assieme al prodotto.

## ○ Richieste

- ♦ Per ricevere ulteriori informazioni sul prodotto, per l'acquisto di articoli di consumo, per riparazioni e altre eventuali richieste, contattare il proprio rivenditore ECHO.

## ○ Avvisi

- ♦ Il contenuto di questo manuale può essere modificato senza preavviso per renderlo conforme a eventuali aggiornamenti del prodotto. Al fine di illustrare con maggiore chiarezza le spiegazioni sul prodotto, alcune illustrazioni potrebbero essere differenti da quelle del prodotto reale.
  - ♦ Questo prodotto richiede l'assemblaggio di alcune parti.
  - ♦ Consultare il proprio rivenditore ECHO per ulteriori chiarimenti.
- 
- ♦ I nostri prodotti sono forniti con garanzie che non possono essere escluse ai sensi della legge australiana a tutela dei consumatori. L'utente ha diritto a una sostituzione o al rimborso per un guasto grave e al risarcimento per qualsiasi altra perdita o danno ragionevolmente prevedibile. L'utente ha inoltre il diritto di far riparare o sostituire la merce se la merce non è di qualità accettabile e il guasto non equivale a un guasto grave.
  - ♦ Per il servizio di garanzia, trovare il più vicino rivenditore autorizzato nella nostra mappa per localizzare i rivenditori all'indirizzo [www.echo-australia.com.au/en\\_au/finder](http://www.echo-australia.com.au/en_au/finder), o chiamando il numero 1300 274 447, o inviando un'e-mail a [salesenquires@briggsandstratton.com.au](mailto:salesenquires@briggsandstratton.com.au), Briggs & Stratton Australia Pty Ltd, Locked bag 5004, St Clair, NSW 2759.

# Per un uso sicuro del prodotto

## Leggere questa sezione prima di utilizzare il prodotto.

○ Le precauzioni descritte in questa sezione contengono importanti informazioni per la sicurezza. Si raccomanda di seguirle scrupolosamente.

○ Leggere anche le precauzioni presenti all'interno del manuale.

Il testo seguito da un contrassegno [a forma di rombo] descrive le potenziali conseguenze che si potrebbero verificare in caso di mancata osservanza delle precauzioni.


## Messaggi di avviso

Situazioni in cui c'è il rischio di causare lesioni fisiche all'utente e ad altre persone sono indicate in questo manuale e sul prodotto, con le seguenti avvertenze. Leggerle e osservarle sempre per lavorare in condizioni di massima sicurezza.

<p><b>⚠ PERICOLO</b></p> <p>Questo simbolo accompagnato dalla dicitura "<b>PERICOLO</b>" richiama l'attenzione su un'azione o una condizione che potrebbe causare infortuni gravi o la morte di utenti o di persone presenti.</p>	<p><b>⚠ AVVERTENZA</b></p> <p>Questo simbolo accompagnato dalla dicitura "<b>AVVERTENZA</b>" richiama l'attenzione su un'azione o una condizione che potrebbe causare infortuni gravi o la morte di utenti o di persone presenti.</p>	<p><b>⚠ ATTENZIONE</b></p> <p>"<b>ATTENZIONE</b>" indica una situazione potenzialmente pericolosa che, se non evitata, potrebbe causare lesioni minori o moderate.</p>
---	---	--

## Altri indicatori

Oltre alle avvertenze, questo manuale utilizza i seguenti simboli esplicativi:

<p></p> <p>Il cerchietto barrato sta ad indicare che quanto è illustrato è proibito.</p>	<p><b>NOTA</b></p> <p>Il messaggio qui riportato fornisce consigli per l'uso, la cura e la manutenzione del prodotto.</p>	<p><b>IMPORTANTE</b></p> <p>Il testo incorniciato, caratterizzato dalla parola "<b>IMPORTANTE</b>", contiene informazioni importanti riguardo l'uso, il controllo, la manutenzione e il rimessaggio del prodotto descritto in questo manuale.</p>
--	---	---

## Simboli

In questo manuale e sul prodotto sono riportati alcuni simboli esplicativi. Accertarsi di aver ben compreso il significato di tutti i simboli.

Forma del simbolo	Descrizione/applicazione del simbolo	Forma del simbolo	Descrizione/applicazione del simbolo
	Leggere attentamente il manuale per l'operatore		Rimuovere il pacco batterie prima di effettuare interventi di manutenzione.
	Avvertenza! Oggetti scagliati!		Tenere gli astanti a distanza di sicurezza
	tenere mani e piedi lontani dalle parti rotanti.		Prestare particolare attenzione alle pendenze. Non falciare pendenze superiori a 15 gradi.
	Protezione/allarme		Prestare attenzione nelle aree ad alta temperatura

# Per un uso sicuro del prodotto

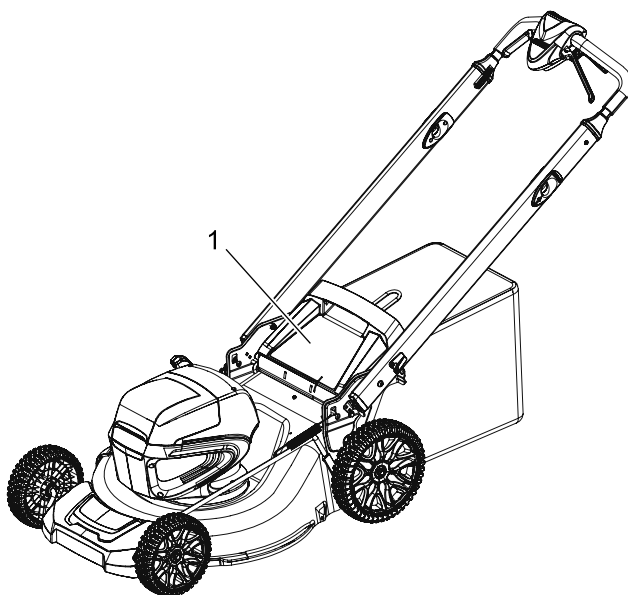
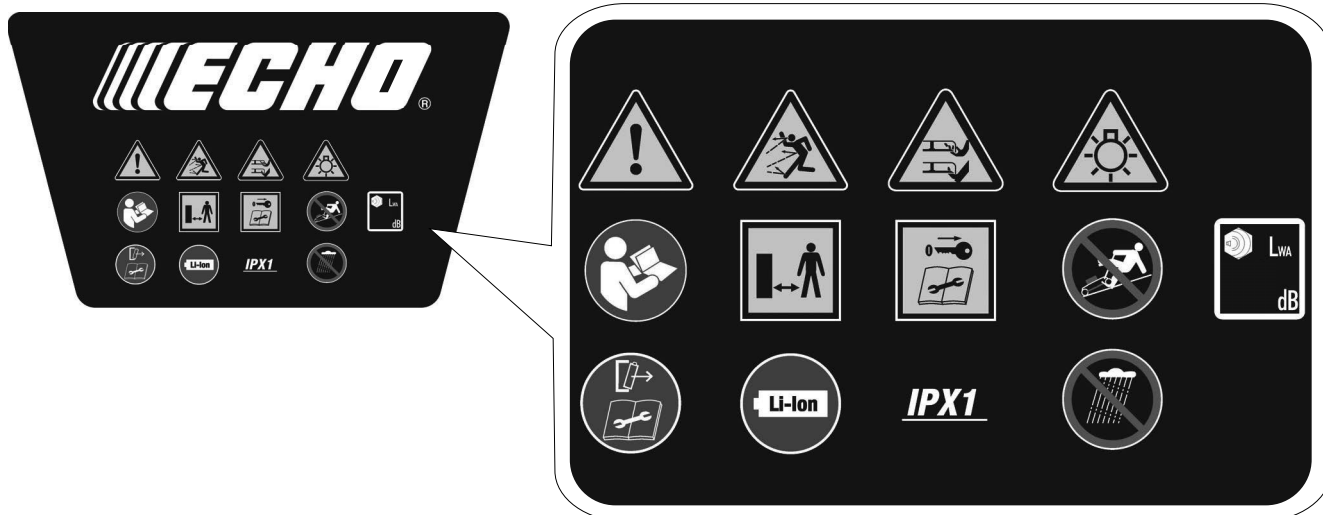
Forma del simbolo	Descrizione/applicazione del simbolo	Forma del simbolo	Descrizione/applicazione del simbolo
	Rimuovere la chiave di sicurezza prima di effettuare interventi di manutenzione.		Livello di potenza acustica garantito
	Non utilizzare mani sotto la pioggia o in ambienti umidi		Batteria agli ioni di litio
	Attenzione al fuoco		Non smaltire le apparecchiature elettriche con la spazzatura normale
	Protetto contro le goccioline d'acqua che cadono verticalmente		Non fissare il fascio luminoso e utilizzare protezioni per gli occhi durante la riparazione

# Per un uso sicuro del prodotto

## Decalcomania/e

- La decalcomania riportata sotto è stata applicata sui prodotti descritti in questo manuale. Prima di utilizzare il prodotto accertarsi di aver compreso quanto riportato sulla decalcomania.
- Se la decalcomania diventa illeggibile a causa dell'usura, si strappa o si stacca e si perde, acquistarne una di ricambio presso il rivenditore e fissarla nel punto illustrato nella figura in basso. Accertarsi che la decalcomania sia sempre leggibile.

1. Decalcomania di sicurezza (codice ricambio P022-066290)



# Per un uso sicuro del prodotto

## Gestione del prodotto

### Avvisi di sicurezza generici per gli utensili elettrici

#### **AVVERTENZA**

**Leggere tutte le avvertenze di sicurezza, le istruzioni, le illustrazioni e le specifiche fornite con il presente utensile elettrico.**

La mancata osservanza delle istruzioni inserite di seguito può causare scosse elettriche, incendi e/o gravi infortuni.

**Conservare avvisi e istruzioni per un eventuale utilizzo futuro.**

Il termine "utensile elettrico", riportato negli avvisi, fa riferimento ad attrezzi alimentati mediante un cavo di alimentazione collegato alla rete elettrica, oppure ad attrezzi privi di cavo e alimentati a batteria.

#### **Sicurezza dell'area di lavoro**

- **L'area di lavoro deve essere pulita e ben illuminata.** Le aree di lavoro sporche o disordinate accrescono il rischio di incidenti.
- **Non utilizzare gli utensili elettrici in atmosfere esplosive, come gli ambienti saturi di liquidi, gas o polveri infiammabili.** Gli utensili elettrici generano scintille, che possono incendiare polveri o fumi infiammabili.
- **Tenere i bambini e le persone circostanti a distanza di sicurezza durante l'uso di un utensile elettrico.** Le distrazioni possono causare perdite di controllo dell'utensile.

#### **Sicurezza elettrica**

- **La spina di alimentazione dell'utensile elettrico deve corrispondere a quella della relativa presa di alimentazione. Non modificare mai la spina, in alcun modo. Non utilizzare alcun tipo di adattatore con gli utensili elettrici dotati di messa a terra (massa).** L'uso di spine e prese non modificate minimizza i rischi di scosse elettriche.
- **Evitare il contatto tra parti del corpo e superfici dotate di collegamento di messa a terra, come tubazioni, radiatori, fornelli e refrigeratori.** Il contatto tra parti del corpo e oggetti con collegamento di terra può accrescere il rischio di scosse elettriche.
- **Evitare di utilizzare gli utensili elettrici sotto la pioggia o in ambienti umidi.** L'acqua che penetra all'interno degli utensili elettrici accresce il rischio di scosse elettriche.
- **Evitare di sottoporre il cavo di alimentazione a sollecitazioni e stress meccanico. Non utilizzare il cavo di alimentazione per trascinare, tirare o scollegare l'utensile elettrico dalla presa di alimentazione. Tenere il cavo di alimentazione a distanza di sicurezza da fonti di calore, oli, bordi affilati o parti in movimento.** I cavi di alimentazione danneggiati o attorcigliati accrescono il rischio di scosse elettriche.
- **Durante l'utilizzo di un'utensile elettrico all'aperto, utilizzare cavi di prolunga adatti all'uso in ambienti esterni.** L'uso di cavo idonei all'uso in ambienti esterni riduce il rischio di scosse elettriche.
- **Qualora fosse necessario utilizzare l'utensile elettrico in ambienti umidi, utilizzare una sorgente di alimentazione protetta da un interruttore automatico differenziale (GFCI).** L'uso di un interruttore GFCI riduce il rischio di scosse elettriche.

#### **Sicurezza personale**

- **Mantenersi sempre vigili, assicurandosi di avere sempre il controllo di ciò che si sta facendo, operando sempre in base a norme di buon senso e ragionevolezza nell'uso dell'utensile elettrico. Non azionare l'utensile elettrico in condizioni di stanchezza o sotto l'effetto di alcol, droghe o farmaci.** Durante l'uso degli utensili elettrici, basta un momento di disattenzione per incorrere in gravi infortuni.
- **Utilizzare dotazioni di protezione personali adeguate. Indossare sempre protezioni per gli occhi.** Le attrezzature di protezione come mascherine antipolvere, scarponi con soles antiscivolo, elmetti di protezione o protezioni acustiche in base alle condizioni di lavoro specifiche, consente di ridurre il rischio di infortuni.
- **Prevenzione delle accensioni accidentali. Assicurarsi che l'interruttore sia sempre in posizione "OFF", prima di procedere al collegamento dell'utensile alla sorgente di alimentazione e/o prima di inserire il pacco batterie, nonché prima di sollevare o trasportare l'utensile.** Trasportare gli utensili elettrici mentre si tiene il dito sull'interruttore, oppure la pressione casuale e immotivata degli interruttori di accensione di utensili elettrici alimentati può causare incidenti.
- **Rimuovere qualunque chiave o attrezzo di regolazione prima di accendere l'utensile elettrico.** La presenza di chiavi o attrezzi collegati alle parti rotanti dell'utensile elettrico può causare gravi infortuni.
- **Non sporgersi. Mantenere sempre una postura di lavoro stabile e bilanciata.** Ciò garantirà un migliore controllo dell'utensile elettrico anche nelle situazioni impreviste.
- **Utilizzare indumenti di tipo corretto. Non indossare indumenti larghi o gioielli. Tenere capelli e indumenti a distanza di sicurezza dalle parti in movimento.** Indumenti larghi, gioielli, e capelli lunghi potrebbero restare impigliati tra le parti in movimento.
- **Se gli utensili sono dotati di attacchi per il collegamento a sistemi di estrazione e raccolta polveri, assicurarsi che tali accessori siano collegati e utilizzati correttamente.** L'uso di un sistema di raccolta polveri può ridurre i rischi associati all'inalazione di polveri.
- **Non lasciare che la familiarità acquisita dall'uso frequente degli utensili renda l'utente meno esigente, ignorando i principi di sicurezza degli utensili.** Un comportamento negligente può causare lesioni gravi in frazioni di secondo.

# Per un uso sicuro del prodotto

## AVVERTENZA

### Utilizzo e cura dell'utensile elettrico

- **Evitare di utilizzare l'utensile elettrico sotto sforzo. Utilizzare sempre l'utensile elettrico adatto al tipo di operazione da effettuare.** L'uso di un utensile elettrico adeguato consentirà di eseguire il lavoro in maniera ottimale e in piena sicurezza, dato che questo funzionerà nelle condizioni ideali per le quali è stato progettato.
- **Non utilizzare l'utensile elettrico se l'interruttore di alimentazione è danneggiato.** Qualsiasi utensile elettrico che non può essere controllato costituisce un pericolo e pertanto l'utensile elettrico dovrà essere riparato al più presto possibile.
- **Scollegare la spina dalla presa di alimentazione e/o rimuovere il pacco batterie dall'alloggiamento, se estraibile, prima di effettuare qualsiasi tipo di regolazione, di sostituzione degli accessori o quando si rimette a posto gli utensili elettrici.** Tali misure preventive riducono il rischio di accensioni accidentali dell'utensile elettrico.
- **Gli utensili elettrici non utilizzati devono essere conservati lontano dalla portata dei bambini. È inoltre necessario evitare che l'utensile venga utilizzato da persone che non hanno familiarità con il suo utilizzo e con il presente manuale di istruzioni.** Gli utensili elettrici possono costituire un pericolo quando utilizzati da utenti non adeguatamente addestrati.
- **Manutenzione degli utensili elettrici e degli accessori. Ispezionare l'utensile elettrico per evidenziare eventuali disallineamenti o parti mobili deformate, danneggiate o qualunque altra condizione che possa influire sul corretto funzionamento dell'utensile elettrico. Gli utensili elettrici danneggiati devono essere riparati prima dell'uso.** Numerosi incidenti sono causati proprio dall'uso di utensili elettrici in cattivo stato di manutenzione.
- **Mantenere la lama di taglio affilata e pulita.** Lame tenute in buono stato di manutenzione e correttamente affilate, sono meno propense a piegarsi e sono quindi più facili da controllare.
- **Utilizzare gli utensili elettrici, accessori e punte in conformità con le istruzioni riportate in questo manuale, tenendo sempre in considerazione le condizioni operative e il tipo di lavoro da eseguire.** L'utilizzo di utensili elettrici per effettuare operazioni di tipo differente da quello per cui tali utensili sono progettati causa situazioni pericolose.

### Utilizzo e cura della batteria

- **Ricaricare solo utilizzando il caricabatterie specificato dal produttore.** Un caricabatterie indicato per un determinato tipo di pacco batterie può causare incendi se utilizzato con pacchi batterie di tipo differente.
- **Utilizzare gli utensili elettrici solo con pacchi batterie del tipo specificato.** L'uso di pacchi batterie di tipo differente può causare incendi e infortuni.
- **Quando il pacco batterie non viene utilizzato, tenerlo a distanza di sicurezza da oggetti metallici, come graffette, monete, chiavi, chiodi, viti o altri elementi metallici di piccole dimensioni, che potrebbero causare falsi contatti con i terminali della batteria.** Un eventuale contatto accidentale tra i terminali della batteria potrebbe causare ustioni e incendi.
- **In caso di utilizzi estremi, la batteria potrebbe essere soggetta perdite di liquido. In tal caso, di raccomanda di evitare il contatto con tale liquido. In caso di contatto accidentale con il liquido della batteria, risciacquare l'area interessata con acqua. In caso di contatto con gli occhi, risciacquare con acqua e consultare un medico.** Il liquido che fuoriesce dalla batteria può causare irritazioni e ustioni.
- **Non utilizzare il pacco batterie o l'utensile che si presenta danneggiato o alterato.** Batterie danneggiate o modificate possono avere comportamenti imprevedibili con conseguenti incendi, esplosioni o rischi di lesioni.
- **Non esporre un pacco batterie o l'utensile al fuoco o alle temperature eccessive.** L'esposizione al fuoco o a temperature superiori a 130°C può causare esplosioni.
- **Seguire tutte le istruzioni per la ricarica e non ricaricare il pacco batterie o l'utensile al di fuori dell'intervallo di temperatura specificato nelle istruzioni.** La ricarica eseguita in maniera scorretta o a temperature al di fuori dell'intervallo specificato può danneggiare la batteria e aumentare il rischio di incendi.

### Manutenzione

- **L'utensile elettrico deve essere riparato da un tecnico riparatore specializzato, utilizzando solo parti originali.** Ciò consente di garantire una corretta manutenzione dell'utensile elettrico.
- **Mai effettuare la manutenzione di pacchi batterie danneggiati.** La manutenzione dei pacchi batterie deve essere effettuata esclusivamente dal produttore o da addetti all'assistenza autorizzati.

# Per un uso sicuro del prodotto

## Avvertenze di sicurezza per il tosaerba

### **AVVERTENZA**

- **Non utilizzare il tosaerba in condizioni climatiche avverse, soprattutto quando vi è il rischio di fulmini**, per ridurre il rischio di essere colpiti.
- **Ispezionare accuratamente l'area in cui deve essere utilizzato il tosaerba per verificare l'eventuale presenza di fauna selvatica**. La fauna selvatica può essere ferita dal tosaerba in funzione.
- **Ispezionare accuratamente l'area in cui deve essere utilizzato il tosaerba e rimuovere pietre, bastoni, cavi, ossa e altri oggetti estranei**. Gli oggetti lanciati possono causare lesioni personali.
- **Prima di utilizzare il tosaerba, ispezionare sempre visivamente per verificare che la lama e il gruppo lama non siano usurati o danneggiati**. Parti usurate o danneggiate aumentano il rischio di lesioni.
- **Controllare frequentemente se il cesto raccoglierba è usurato o deteriorato**. Un cesto raccoglierba usurato o danneggiato può aumentare il rischio di lesioni personali.
- **Mantenere le protezioni in posizione. Le protezioni devono essere correttamente montate e funzionanti**. Protezioni allentate, danneggiate o non correttamente funzionanti possono provocare lesioni personali.
- **Mantenere tutte le prese d'aria di raffreddamento libere da detriti**. Prese d'aria ostruite e detriti possono provocare surriscaldamento o rischio di incendio.
- **Durante il funzionamento del tosaerba, indossare sempre calzature antiscivolo e protettive. Non utilizzare il tosaerba a piedi nudi o indossando sandali aperti**. Ciò riduce il rischio di lesioni ai piedi causate dal contatto con la lama in movimento.
- **Durante il funzionamento del tosaerba, indossare sempre pantaloni lunghi**. Lavorare con pelle esposta aumenta la probabilità di lesioni da oggetti lanciati.
- **Non utilizzare il tosaerba su erba bagnata. Lavorare camminando, senza correre**. Ciò riduce il rischio di scivolamento e caduta, che possono causare lesioni personali.
- **Non azionare il tosaerba su pendenze eccessive**. Ciò riduce il rischio di perdita di controllo, scivolamento e caduta, che possono provocare lesioni personali.
- **Quando si lavora in pendenza, essere sempre sicuri del proprio appoggio, lavorare sempre trasversalmente, mai verso l'alto o il basso, e usare la massima cautela quando si cambia direzione**. Ciò riduce il rischio di perdita di controllo, scivolamento e caduta, che possono provocare lesioni personali.
- **Prestare particolare attenzione quando si fa retromarcia o si tira il tosaerba verso di sé. Avere sempre consapevolezza dell'ambiente circostante**. Ciò riduce il rischio di inciampare durante il funzionamento.
- **Tenere il cavo di alimentazione lontano dalle lame di taglio**. Un cavo di alimentazione danneggiato può causare scosse elettriche, incendi e/o gravi infortuni.
- **Spegnere e rimuovere la spina dalla rete se il cavo è attorcigliato o danneggiato**. Cavi di alimentazione attorcigliati o danneggiati aumentano il rischio di scosse elettriche.
- **Non toccare lame e altre parti in movimento pericolose mentre sono ancora in movimento**. Ciò riduce il rischio di lesioni provocate da parti in movimento.
- **Quando si rimuove il materiale inceppato o si esegue la pulizia del tosaerba, assicurarsi che gli interruttori di accensione siano spenti e che il pacco batterie sia scollegato**. Un funzionamento imprevisto del tosaerba può causare gravi lesioni personali.

# Per un uso sicuro del prodotto

## Precauzioni generali

### **AVVERTENZA**

#### **Manuale per l'operatore**

- Per un corretto funzionamento del prodotto, prima di utilizzarlo leggere attentamente il manuale per l'operatore.
- ◆ La mancata osservanza di queste precauzioni potrebbe causare incidenti o lesioni gravi.



#### **Non utilizzare il prodotto per eseguire lavori diversi da quelli per cui è stato progettato**

- Non utilizzare il prodotto per eseguire lavori diversi da quelli descritti nel manuale per l'operatore.
- ◆ La mancata osservanza di queste precauzioni potrebbe causare un incidente o lesioni gravi.

#### **Non modificare il prodotto**

- Il prodotto non deve essere modificato.
- ◆ La mancata osservanza di queste precauzioni potrebbe causare un incidente o lesioni gravi. Qualsiasi guasto causato da modifiche apportate al prodotto non sarà coperto dalla garanzia del produttore.

#### **Non utilizzare il prodotto senza aver effettuato prima il controllo e la manutenzione**

- Non utilizzare il prodotto senza aver effettuato prima il controllo e la manutenzione. Accertarsi sempre che il controllo e la manutenzione vengano eseguiti a scadenze regolari.
- ◆ La mancata osservanza di queste precauzioni potrebbe causare incidenti o lesioni gravi.
- Non azionare mai la macchina con protezioni o schermi difettosi o senza dispositivi di sicurezza.
- ◆ La mancata osservanza di queste precauzioni potrebbe causare incidenti o lesioni gravi.

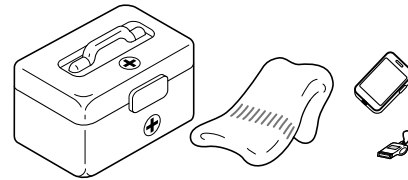
#### **Prestito o cessione del prodotto**

- In caso di prestito del prodotto, consegnare alla persona che lo riceve anche il manuale per l'operatore.
- Se si cede o vende il prodotto a terzi, consegnare anche il manuale per l'operatore assieme al prodotto.
- ◆ La mancata osservanza di queste precauzioni potrebbe causare incidenti o lesioni gravi.

#### **Tenersi preparati in caso di infortuni**

Nell'improbabile evento di incidenti o lesioni, è consigliabile essere preparati.

- Cassetta di pronto soccorso
- Asciugamani e fazzoletti (per fermare eventuali emorragie)
- Fischiotto o telefono cellulare (per chiedere aiuto all'esterno)
- ◆ Se non si è in grado di effettuare un primo soccorso o chiedere aiuto, le lesioni potrebbero peggiorare.



# Per un uso sicuro del prodotto

## Precauzioni per l'uso

### **AVVERTENZA**

#### Utenti del prodotto

Il prodotto non deve essere utilizzato da:

- persone stanche
- persone che hanno assunto bevande alcoliche
- persone sotto trattamento farmacologico
- persone in stato di gravidanza
- persone in condizioni fisiche precarie
- persone che non hanno letto il manuale per l'operatore
- bambini

◆ La mancata osservanza di queste istruzioni potrebbe provocare incidenti.

- Questo prodotto genera un campo magnetico durante il funzionamento. I campi magnetici possono causare interferenze con i pacemaker o il malfunzionamento di questi ultimi. Per ridurre i rischi per la salute, consigliamo ai portatori di pacemaker di consultare il proprio medico e il produttore del pacemaker prima di utilizzare questo prodotto.



#### Ambiente di utilizzo e funzionamento

##### ○ Non utilizzare il prodotto

- ◆ in ambienti umidi o bagnati.
- ◆ sotto la pioggia.
- ◆ in condizioni di cattivo tempo.

◆ La mancata osservanza di queste precauzioni potrebbe causare un incidente o lesioni gravi.

##### ○ Non utilizzare il prodotto su terreni instabili, ad esempio con forti pendenze o dopo un acquazzone, oppure su terreni scivolosi e pericolosi.

##### ○ Non falciare verso l'alto o verso il basso in pendenze dolci, lavorare seguendo i contorni del terreno.

##### ○ Non azionare il prodotto in luoghi scarsamente illuminati.

◆ Cadute, scivolate o un uso non corretto del prodotto potrebbero causare lesioni gravi.



#### L'area nel raggio di 30 m deve essere considerata zona pericolosa

L'area nel raggio di 30 m dal prodotto deve essere considerata zona pericolosa. Osservare le seguenti precauzioni mentre si sta lavorando con il prodotto.

- Non permettere a bambini, altre persone o animali di entrare nella zona pericolosa.
- Se nell'area di lavoro sono presenti altre persone, spegnere il prodotto.
- Prima di avvicinarsi all'utente, segnalare la propria presenza, per esempio, gettando dei ramoscelli dall'esterno della zona pericolosa, quindi controllare che il prodotto sia stato spento.
- Se più persone devono lavorare con il prodotto, trovare un modo per comunicare con il collega da una distanza di 30 m.

◆ Eventuali oggetti scagliati potrebbero provocare lesioni gravi all'operatore o agli astanti.

#### Uso del prodotto

Durante l'uso del prodotto, prestare particolare attenzione e osservare le seguenti precauzioni.

- Non puntare il prodotto in direzione di persone o animali domestici.
  - Non utilizzare il prodotto su terreni instabili.
  - Tenere l'impugnatura in modo fermo e saldo.
  - Evitare di utilizzare il prodotto nelle ore notturne o al mattino presto, per non disturbare i vicini con il rumore.
- ◆ La mancata osservanza di queste istruzioni potrebbe causare incidenti o lesioni.

#### Spegnere il prodotto durante gli spostamenti

Durante gli spostamenti, nelle situazioni descritte di seguito, spegnere il prodotto prima di spostarlo.

- Spostandosi verso il luogo in cui si sta lavorando.
  - Spostandosi in un altro luogo mentre si sta lavorando.
  - Lasciando il luogo in cui è stato eseguito il lavoro.
- ◆ La mancata osservanza di queste precauzioni potrebbe causare scottature o lesioni gravi.
- Durante il trasporto del prodotto in automobile, togliere la batteria e la chiave di sicurezza e fissare saldamente il prodotto per evitare che si sposti durante il viaggio.

#### Non toccare la lama di taglio in movimento.

○ Non toccare con la mano e il piede la lama di taglio che ruota sotto la pedana di protezione.

◆ Potrebbe causare lesioni gravi.

#### Non posizionarsi davanti al prodotto.

○ Non urtare il prodotto e non restare impigliato nelle ruote.

◆ Potrebbe causare lesioni gravi.

#### Vibrazioni e freddo

Si ritiene che la condizione definita fenomeno di Raynaud, che colpisce le dita di alcune persone, sia causata dall'esposizione alle vibrazioni e al freddo. L'esposizione al freddo e alle vibrazioni può causare formicolio e bruciore, seguiti da pallore e intorpidimento delle dita.

Dato che non si conosce il livello di esposizione minima che causa i disturbi, si consiglia vivamente di osservare le seguenti precauzioni.

- Tenere il corpo caldo, soprattutto testa, collo, piedi, caviglie, mani e polsi.
  - Mantenere una buona circolazione del sangue facendo vigorosi esercizi con le braccia durante frequenti pause di lavoro, ed evitare di fumare.
  - Limitare il numero di ore di utilizzo. Cercare di pianificare altri lavori nell'arco della giornata lavorativa in cui non sia richiesto l'uso del tosaerba o di altre macchine portatili.
  - Se si accusano disagi e disturbi e se si riscontrano arrossamenti e gonfiore delle dita seguiti da pallore e perdita di sensibilità, rivolgersi al proprio medico prima di esporsi di nuovo al freddo e alle vibrazioni.
- ◆ La mancata osservanza di queste istruzioni potrebbe causare danni alla salute.

# Per un uso sicuro del prodotto

## **AVVERTENZA**

### **Lesioni da sforzi ripetuti**

Si ritiene che l'uso eccessivo dei muscoli e dei tendini di dita, mani, braccia e spalle possa causare dolore, gonfiore, intorpidimento, debolezza e fortissimi dolori nelle zone menzionate. Alcune attività manuali ripetitive possono essere causa di alto rischio per lo sviluppo di lesioni da sforzi ripetitivi (RSI).

**Per ridurre il rischio di lesioni da sforzi ripetitivi:**

- Evitare di usare il polso piegato, allungato o girato.
- Fare pause a intervalli regolari per ridurre al minimo i movimenti ripetuti e far riposare le mani. Ridurre la velocità e la forza con cui il movimento ripetitivo viene eseguito.
- Fare esercizi per rafforzare i muscoli delle mani e delle braccia.
- Consultare un medico se si avvertono formicolii, intorpidimenti o dolori delle dita, delle mani, dei polsi o delle braccia. Una tempestiva diagnosi di lesioni da sforzi ripetitivi consente di evitare danni permanenti ai nervi e ai muscoli.
- ◆ La mancata osservanza di queste istruzioni potrebbe causare danni alla salute.

### **Istruzioni per scollegare la batteria**

- Ogni qualvolta la macchina viene lasciata dall'utente.
- Prima di eliminare un intasamento.
- Prima di controllare, pulire o intervenire sulla macchina.
- Dopo avere urtato un oggetto estraneo, controllare che la macchina non abbia subito danni.
- Se la macchina inizia a vibrare in maniera anomala, sottoporla immediatamente a un controllo.
- ◆ Un avvio imprevisto del prodotto potrebbe causare un incidente.

### **In caso di imprevisti, spegnere immediatamente il prodotto**

- Spegnere immediatamente il prodotto se inizia improvvisamente a produrre rumori o vibrazioni anomale. Il prodotto non può essere utilizzato se produce rumori o vibrazioni anomale.  
Contattare il rivenditore ECHO per la riparazione.
- ◆ Continuare a utilizzare parti danneggiate potrebbe provocare un incidente o lesioni gravi.

### **Spegnere il motore durante l'esecuzione di ispezioni o manutenzioni del prodotto**

Osservare le seguenti precauzioni durante il controllo e la manutenzione del prodotto dopo l'uso:

- Spegnere il motore, rimuovere la batteria e verificare che tutte le parti mobili si siano fermate completamente.
- ◆ Un avvio imprevisto del prodotto potrebbe causare un incidente.
- Prima di eseguire le operazioni di manutenzione, far raffreddare il prodotto.
- ◆ L'esecuzione di interventi a motore caldo può causare ustioni.

# Per un uso sicuro del prodotto

## Indumenti protettivi

### AVVERTENZA

#### Indossare indumenti protettivi

○ Durante il lavoro con il prodotto indossare sempre indumenti e abiti protettivi appropriati. Soprattutto, durante il lavoro, indossare occhiali di protezione, una mascherina antipolvere.

◆ Senza indumenti protettivi, i detriti o la polvere soffiata via potrebbero colpire persone, in particolare negli occhi, provocando incidenti o lesioni.

**a Occhiali di protezione:** Proteggono gli occhi

**b Casco (elmetto):** Protegge la testa

**c Guanti protettivi:** Proteggono le mani dal freddo e dalle vibrazioni

**d Indumenti aderenti (maniche lunghe, pantaloni lunghi):** Proteggono il corpo

**e Scarpe robuste o stivali:** Proteggono i piedi

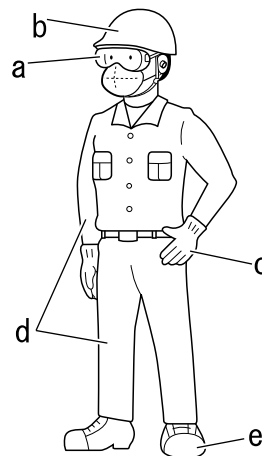
◆ La mancata osservanza di queste precauzioni potrebbe causare danni alla vista o all'udito o lesioni gravi.

**Se necessario, utilizzare anche i seguenti indumenti protettivi.**

○ **Respiratore:** Protezione per l'apparato respiratorio

○ **Protezioni acustiche o tappi per le orecchie:** Protezione per le orecchie

○ **Rete anello di metallo:** Protezione antinsetti



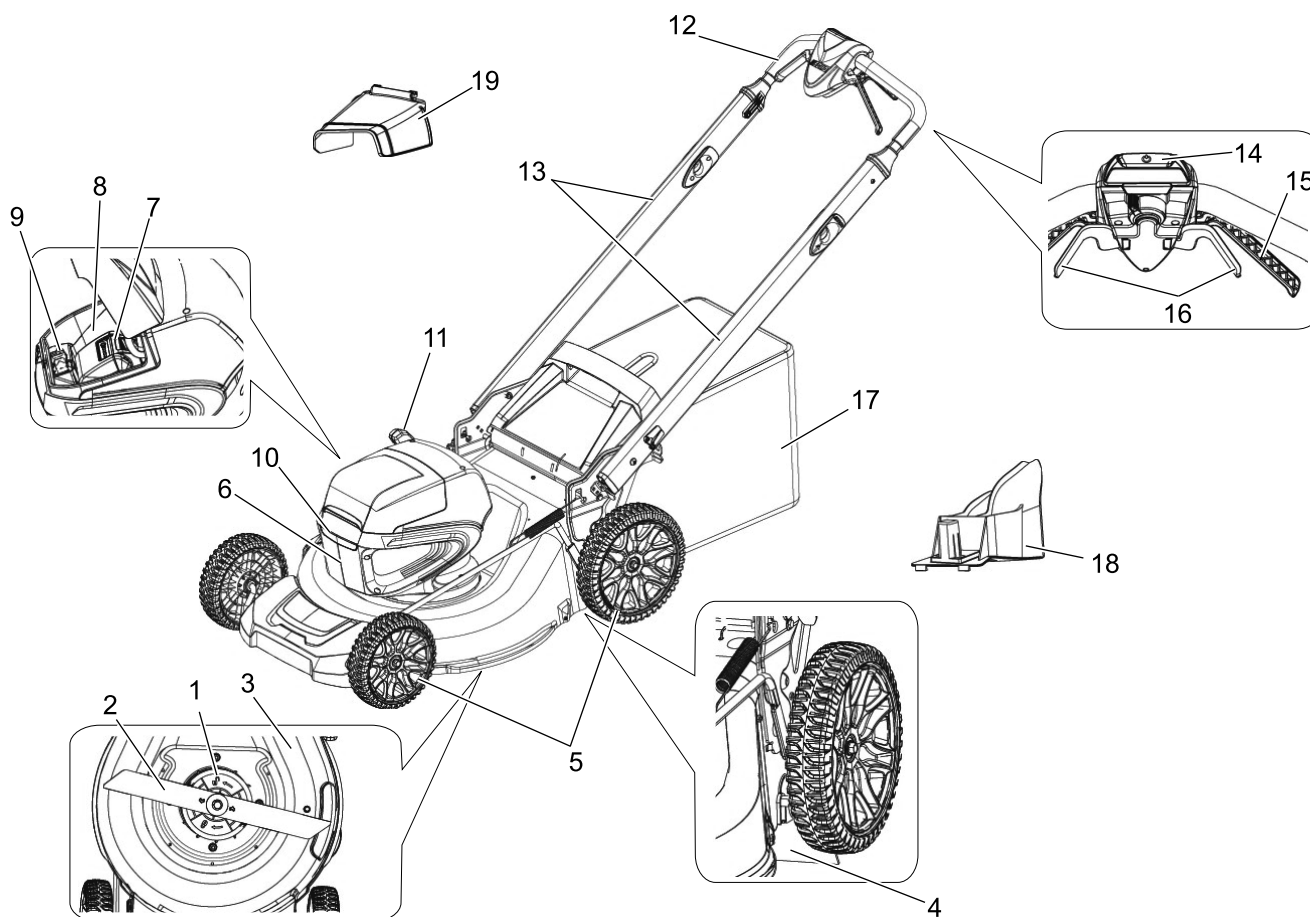
#### Indossare indumenti idonei

**Non indossare cravatte, gioielli o vestiti poco aderenti che potrebbero restare impigliati nel prodotto. Non indossare calzature aperte, non lavorare a piedi nudi o a gambe nude.**

◆ La mancata osservanza di queste precauzioni potrebbe causare incidenti o lesioni gravi.



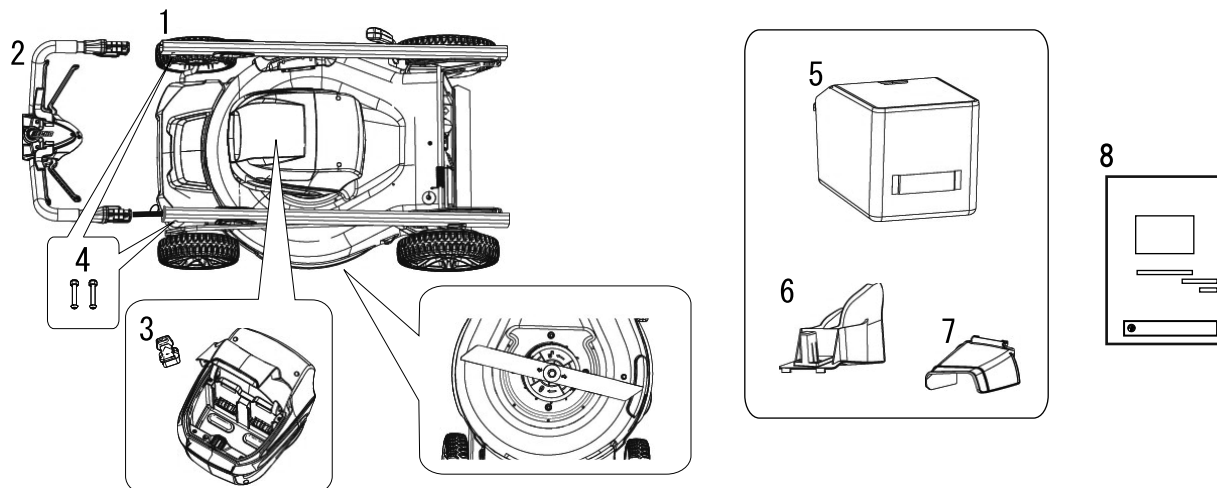
# Descrizione



1. **Testa di uscita** Fissata all'albero di uscita del motore e dotata di una ventola per raffreddare l'unità.
2. **Lama di taglio** Lama metallica fissata alla testa di uscita (1), per il taglio di erba ed erbacce.
3. **Pedana di protezione** Protegge l'utente dal contatto accidentale con la testa di uscita e con eventuali oggetti lanciati.
4. **Protezione posteriore** Protegge l'utente dal contatto accidentale con la testa di uscita e con eventuali oggetti lanciati.
5. **Ruota** Consente all'unità di muoversi o semovente.
6. **Alloggiamento della batteria** Fornisce elettricità per ruotare la lama di taglio e le ruote.
7. **Pacco batterie** batterie ricaricabili.
8. **Vano batteria** Spazio in cui inserire la batteria.
9. **Chiave di sicurezza** Collegamento o scollegamento elettrico tra la batteria e l'unità.
10. **Fari a LED** Chiara visione dell'ambiente circostante.
11. **Leva di regolazione dell'altezza** Modifica l'altezza di taglio.
12. **Impugnatura superiore** Controlla l'unità utilizzando l'impugnatura, il pulsante e l'interruttore.
13. **Impugnatura inferiore** Collegamento dell'impugnatura superiore (10) alla lama di taglio (1) e alla ruota (4).
14. **Pulsante di accensione** Con altri interruttori, aziona la lama di taglio (2) e le ruote (4).
15. **Interruttore a grilletto** Aziona la lama di taglio (2).
16. **Interruttore di avanzamento** Aziona le ruote (4).
17. **Cesto raccogliherba** Raccoglie l'erba durante la funzione di insaccamento posteriore.
18. **Tappo per pacciamatura** Blocca il passaggio dell'erba verso la parte posteriore durante la funzione di pacciamatura e scarico laterale.
19. **Scivolo di scarico laterale** Esegue lo scarico verso il lato durante la funzione di scarico laterale.

## Contenuto della confezione

- ♦ Le seguenti parti sono state imballate separatamente nella scatola di imballaggio.
- ♦ Dopo aver aperto la confezione, controllare che siano presenti tutte le parti.
- ♦ In caso di parti mancanti o rotte, contattare il rivenditore.



1. Corpo e lama di taglio
2. Impugnatura superiore
3. Chiave di sicurezza
4. Dado e bullone

5. Cesto raccoglierba
6. Tappo per pacciamatura
7. Scivolo di scarico laterale
8. Manuale per l'operatore

# Prima di iniziare

## Carica della batteria

### **⚠ AVVERTENZA**

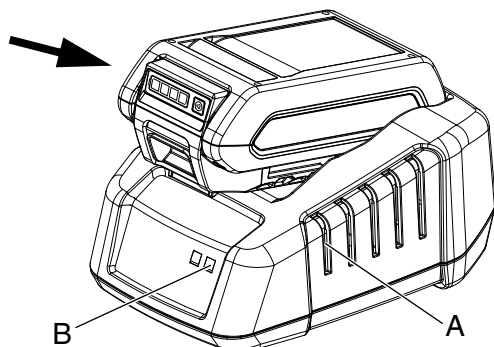
- Utilizzare solo la batteria specificata e ricaricare con il caricabatterie indicato. Fare riferimento alla sezione “Caratteristiche tecniche”.
- Tenere il caricabatterie e la batteria lontane da umidità e liquidi.
- Non azionare il caricabatterie su una superficie facilmente infiammabile (ad es. carta, tessuti) o in un ambiente ad alto rischio di incendio.
- Non coprire il caricabatterie. Se viene coperto, il caricabatterie non sarà in grado di raffreddarsi.
- Non utilizzare il caricabatterie in atmosfere esplosive, come ambienti saturi di liquidi, gas o polveri infiammabili. I caricabatterie possono generare scintille, che possono infiammare polveri o fumi, con il conseguente rischio di esplosioni.
- Collegare il caricabatterie al tipo di alimentazione di rete e alla frequenza di rete indicate sulla targhetta delle specifiche.
- Collegare il caricabatterie solo a una presa a muro facilmente accessibile.
- Non inserire mai oggetti nelle fessure di raffreddamento del pacco batterie o del caricabatterie (A).
- Non caricare o utilizzare un pacco batterie o un caricabatterie difettoso, danneggiato o deformato.
- Non aprire, danneggiare o far cadere il pacco batterie o il caricabatterie.
- Se la batteria è danneggiata o viene utilizzata in modo improprio, potrebbe fuoriuscire del liquido; evitare il contatto con la pelle. In caso di contatto accidentale, sciacquare abbondantemente le aree della pelle interessate con acqua e sapone. In caso di contatto del liquido con gli occhi, non strofinare. Sciacquare abbondantemente gli occhi con acqua per almeno 15 minuti. Richiedere inoltre assistenza medica.
- Non ponticellare (cortocircuitare) i contatti del pacco batterie o i terminali del caricabatterie con oggetti metallici.
- Proteggere dai raggi diretti del sole, calore e fiamme aperte e non gettare mai le batterie nel fuoco; vi è rischio di esplosione.
- In presenza di fumo o incendio nel caricabatterie, scollegarlo immediatamente dalla presa a muro.
- Se il cavo di alimentazione è danneggiato, scollegarlo immediatamente dalla presa, per evitare il rischio di scosse elettriche.
- Non esporre il pacco batterie a microonde o alta pressione.
- Proteggere l'unità da eventuali avviamenti non intenzionali. Rimuovere il pacco batterie dall'unità prima dell'eventuale trasporto o stoccaggio dell'unità. Non utilizzare contenitori metallici per il trasporto delle batterie.
- Non utilizzare il cavo di alimentazione per impieghi differenti da quelli specificati, come per il trasporto o per appendere il caricabatterie.
- Al fine di ridurre il rischio di inciampare, posizionare e marcare il cavo di alimentazione in modo tale che non possa essere danneggiato o che costituisca un rischio per gli altri.
- Per lo scollegamento, afferrare la spina e non il cavo.

### **NOTA**

- La batteria viene fornita già parzialmente carica quando l'unità viene spedita dalla fabbrica e deve pertanto essere caricata completamente prima dell'uso.
- Ricaricare la batteria quando questa non è più in grado di generare una potenza sufficiente a far funzionare l'unità, oppure quando la spia della batteria indica una bassa carica residua.

### **IMPORTANTE**

- Utilizzare il caricabatterie a temperature comprese tra 5 °C (41 °F) e 40 °C (104 °F).

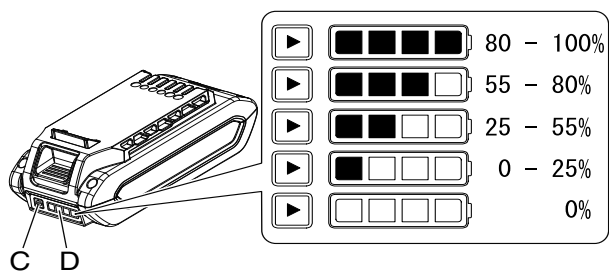


1. Inserire il cavo di alimentazione CA del caricabatterie in una presa di rete.
2. Allineare i bordi della batteria con le scanalature del caricabatterie e quindi inserire la batteria all'interno del caricabatterie.
3. Durante le normali fasi di ricarica, il LED del caricabatterie (B), emetterà un lampeggio continuo di colore VERDE.

### **IMPORTANTE**

- Se il caricabatterie rileva un problema, il LED emette un lampeggio di colore rosso. In tal caso, rimuovere la batteria dal caricabatterie, eliminare le eventuali ostruzioni dai contatti e reinstallare la batteria nel caricabatterie. Se la batteria sta operando fuori dai limiti di temperatura (da 0 °C a 60 °C), il LED continuerà ad emettere il lampeggio ROSSO.

# Prima di iniziare



4. Una volta completata la ricarica, il LED emette una luce VERDE fissa.
5. Assicurarsi che la batteria sia interamente carica, rimuovendola dal caricabatterie e quindi premendo il pulsante di misurazione dello stato di carica della batteria (C), e verificando lo stato sul relativo indicatore a LED (D).
6. Scollegare il caricabatterie dall'alimentazione di rete.

# Prima di iniziare

## Montaggio

### **AVVERTENZA**

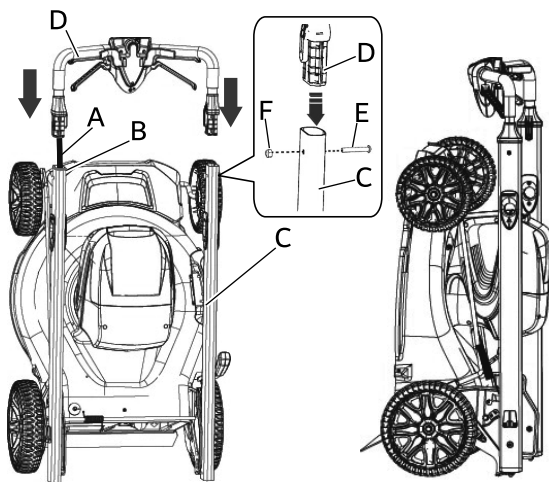
- Leggere attentamente il manuale per l'operatore per essere certi di montare correttamente il prodotto.  
L'uso di un prodotto non montato correttamente potrebbe causare incidenti o lesioni gravi.



## Montaggio dell'impugnatura superiore

### **IMPORTANTE**

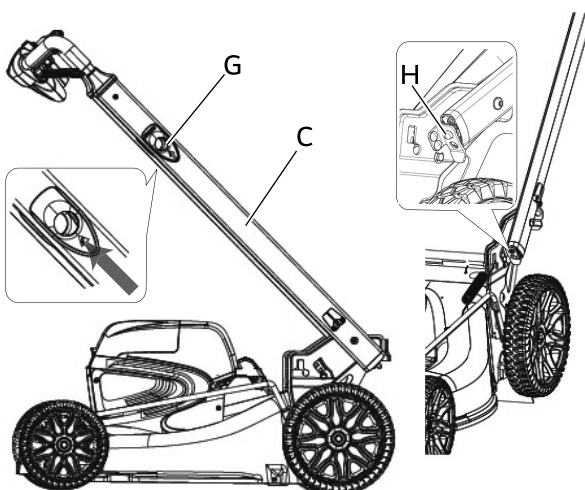
- Non danneggiare il cavo durante l'installazione dell'impugnatura superiore.



1. Posizionare il gruppo in posizione verticale.
2. Rimuovere il materiale di imballaggio dal cavo (A).
3. Rimuovere la protezione del bordo in gomma (B) dall'impugnatura inferiore (C).
4. Inserire l'impugnatura superiore (D) nell'impugnatura inferiore (C).
5. Inserire i bulloni (E) attraverso i fori e serrare con i dadi (F), utilizzando un cacciavite (non incluso).

### **IMPORTANTE**

- Verificare che i due perni dell'impugnatura siano nella stessa posizione quando si apre l'impugnatura inferiore.



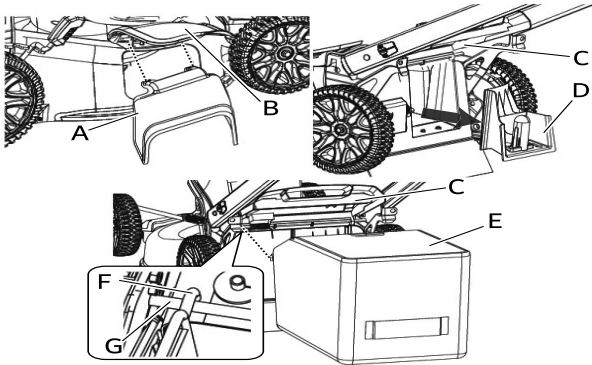
6. Posizionare il gruppo in posizione orizzontale.
7. Tirare verso l'alto i fori (G) dell'impugnatura per rilasciare l'impugnatura inferiore (C).
8. Aprire l'impugnatura inferiore (C) fino a quando i perni dell'impugnatura (H) si bloccano in posizioni fisse.

## Montaggio delle tre funzioni

### IMPORTANTE

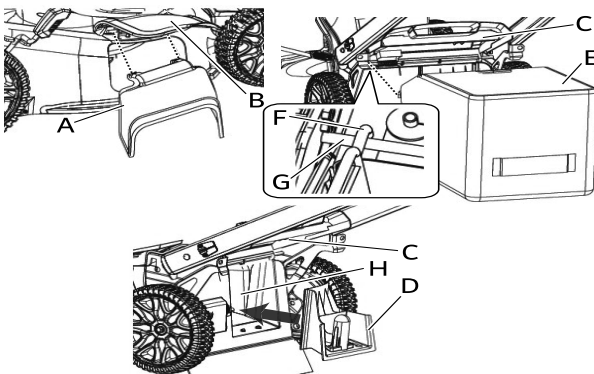
○ In generale, un tosaerba è dotato di tre funzioni (insaccamento posteriore / pacciamatura / scarico laterale). È possibile passare da una funzione all'altra modificando le impostazioni degli accessori.

#### Insaccamento posteriore



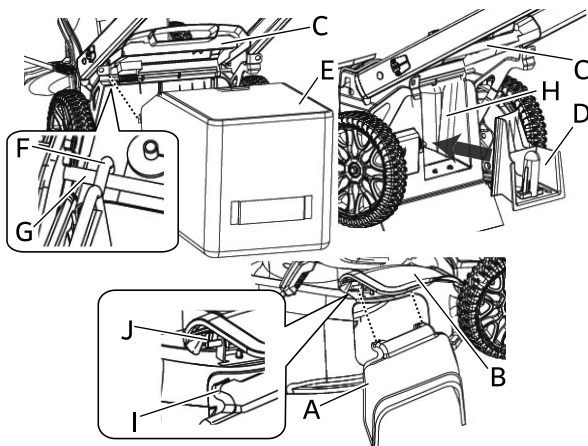
1. Rimuovere il pacco batterie e la chiave di sicurezza.
2. Rimuovere lo scivolo di scarico laterale (A).
3. Chiudere lo sportello di scarico laterale (B).
4. Aprire lo sportello di scarico posteriore (C) e rimuovere il tappo di pacciamatura (D).
5. Aprire lo sportello di scarico posteriore (C) e agganciare i ganci (F) all'asta (G) dello sportello per installare il cesto raccogliherba.
6. Richiudere lo sportello di scarico posteriore (C).

#### Pacciamatura



1. Rimuovere il pacco batterie e la chiave di sicurezza.
2. Rimuovere lo scivolo di scarico laterale (A).
3. Chiudere lo sportello di scarico laterale (B).
4. Sganciare i ganci (F) sull'asta (G) dello sportello e rimuovere il cesto raccogliherba (E).
5. Aprire lo sportello di scarico posteriore (C) e fissarlo nello scivolo di scarico posteriore (H) per installare il tappo di pacciamatura (D).
6. Richiudere lo sportello di scarico posteriore (C).

#### Scarico laterale



- ⚠ AVVERTENZA**

○ Quando si utilizza lo scivolo di scarico laterale,

  - ♦ non installare il cesto raccogliherba.
  - ♦ Mantenere il tappo di pacciamatura installato.
1. Rimuovere il pacco batterie e la chiave di sicurezza.
  2. Sganciare i ganci (F) sull'asta (G) dello sportello e rimuovere il cesto raccogliherba (E).
  3. Installare il tappo di pacciamatura (D) e fissarlo nello scivolo di scarico posteriore (H).
  4. Chiudere lo sportello di scarico posteriore (C).
  5. Aprire lo sportello di scarico laterale (B) e allineare le rientranze (I) dello scivolo di scarico laterale (A) sotto il perno (J).
  6. Richiudere lo sportello di scarico laterale (B).

## Regolazione dell'altezza di taglio

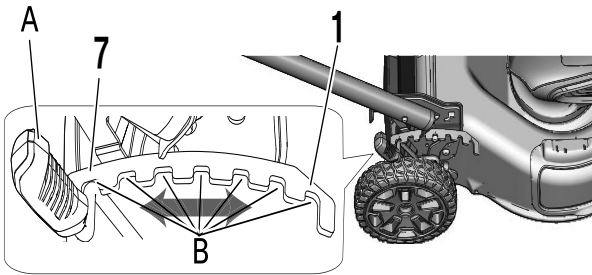
### ⚠ AVVERTENZA

○ Non effettuare mai la regolazione dell'altezza di taglio mentre la lama di taglio o le ruote sono in funzione.

# Prima di iniziare

## NOTA

- L'unità può essere impostata su diverse altezze di taglio per adattarsi al taglio da effettuare.



1. Impostare la leva di regolazione altezza (A) in una delle rientranze (B), all'indietro per aumentare l'altezza di taglio (7←) o in avanti per diminuirla (→1).

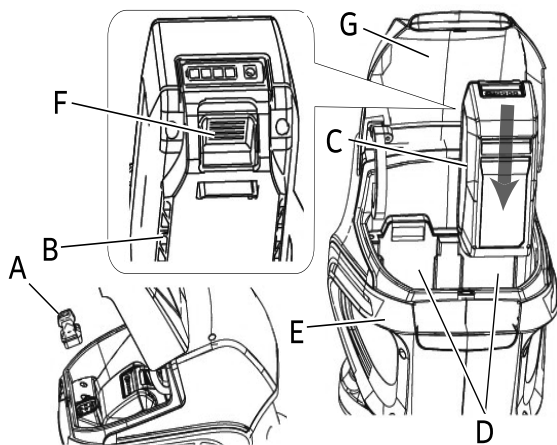
## Fissaggio e rimozione della batteria

### ⚠ AVVERTENZA

- L'unità funzionerà quando la batteria è montata e il pulsante di accensione e l'interruttore a grilletto o di avanzamento sono azionati. Assicurarsi che l'unità sia posizionata correttamente, per evitare di perdere il controllo e scongiurare il rischio di gravi infortuni. Tenere l'unità lontana da oggetti che potrebbero impigliarsi, essere lanciati o scontrarsi.
- Non premere l'interruttore a grilletto o di avanzamento durante il montaggio della batteria.
- Non avvicinare mani o piedi alle parti rotanti o sotto la pedana di protezione.
- Rimuovere la batteria quando ci si allontana dall'unità.

## NOTA

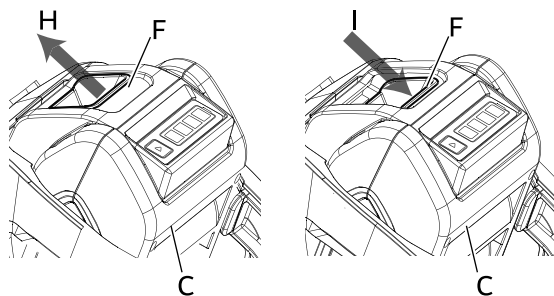
- L'unità ha una funzione di interruttore automatico per due pacchi batterie che consente il funzionamento del secondo pacco batterie quando il primo non può funzionare.
- Il pacco batterie viene fornito già parzialmente carico quando l'unità viene spedita dalla fabbrica e deve pertanto essere ricaricato completamente prima dell'uso.
  - Vedere il manuale dell'operatore presente nell'imballo del pacco batterie.



### Inserimento della batteria

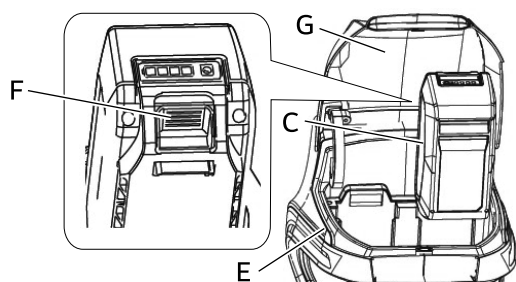
1. Rilasciare gli interruttori a grilletto e di avanzamento.
2. Verificare che la lama e le ruote si fermino.
3. Aprire lo sportello (G) della batteria e rimuovere la chiave di sicurezza (A).
4. Allineare i bordi (B) del pacco batterie (C) alle scanalature (D) presenti sull'alloggiamento (E) della batteria, quindi inserire la batteria fino a quando il fermo (F) del pacco scatta in posizione di blocco.
5. Inserire la chiave di sicurezza (A)
6. Chiudere lo sportello (G) della batteria.

- A. Chiave di sicurezza
- B. Bordo
- C. Pacco batterie
- D. Scanalatura
- E. Alloggiamento batteria
- F. Fermo pacco batterie
- G. Sportello batteria



H. Posizione di blocco  
I. Posizione non di blocco

F. Fermo pacco batterie  
C. Pacco batterie



G. Sportello batteria  
F. Fermo pacco batterie

E. Alloggiamento batteria

## IMPORTANTE

- Prima di utilizzare l'unità, assicurarsi che la batteria sia inserita correttamente, con il fermo saldamente fissato nella posizione di blocco.

## NOTA

- ♦ Il fermo (F) del pacco batterie è in posizione di blocco quando questo è correttamente inserito.

### Rimozione della batteria

1. Verificare che la lama e le ruote si fermino.
2. Aprire lo sportello (G) della batteria.
3. Rimuovere la chiave di sicurezza.
4. Per rimuovere la batteria, premere il fermo (F) e far scorrere la batteria, estraendola dall'alloggiamento (E).
5. Chiudere lo sportello (G) della batteria.

# Funzionamento

## PERICOLO

- Le linee elettriche e i cavi aerei per le comunicazioni possono trasportare flussi di corrente con tensioni elevate. Questa unità non è isolata dalla corrente elettrica. Al fine di evitare il rischio di lesioni gravi o mortali, non toccare mai direttamente o indirettamente i cavi.

## AVVERTENZA

- Non utilizzare l'unità in atmosfere esplosive, come ambienti saturi di liquidi, gas o polveri infiammabili. L'unità genera scintille, che possono incendiare polveri o fumi infiammabili.

Prestare particolare attenzione alle seguenti precauzioni quando si avvia l'unità:

- Controllare che non ci siano dadi o bulloni allentati.
  - Non lasciare chiavi o altri utensili di bloccaggio attaccati a parti rotanti dell'unità.
  - Lasciare sufficiente spazio intorno all'unità e non permettere a persone o animali di avvicinarsi.
- La mancata osservanza di queste precauzioni può provocare incidenti, lesioni o perfino la morte.

- Quando l'unità è in funzione, assicurarsi che non ci siano vibrazioni o rumori anomali. Non utilizzare l'unità se ci sono vibrazioni o rumori anomali. Contattare il rivenditore per la riparazione.

Incidenti che provocano la caduta o la rottura di componenti possono causare ferite o lesioni gravi.

- Prima di un eventuale trasporto, spegnere sempre l'unità e rimuovere la batteria.

- Non toccare la trasmissione angolare o altri componenti ad alta temperatura mentre l'unità è accesa e subito dopo lo spegnimento.

Il contatto con componenti ad alta temperatura potrebbe causare ustioni.

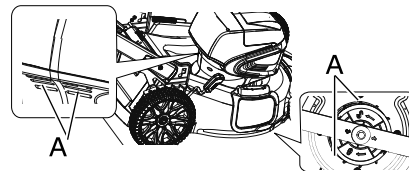


- Non utilizzare mai l'unità sporgendosi e mantenere sempre una posizione che garantisca un equilibrio ottimale; assicurarsi inoltre di avere sempre i piedi saldamente poggiati al suolo mentre si opera su tratti in pendenza o si cammina. Non correre durante l'uso dell'unità.

- Non utilizzare mai l'unità con protezioni difettose, senza chiave di sicurezza, o quando il filo è danneggiato o usurato.

## IMPORTANTE

- Mantenere sempre pulite le feritoie di ventilazione (A).



## Avvio dell'unità

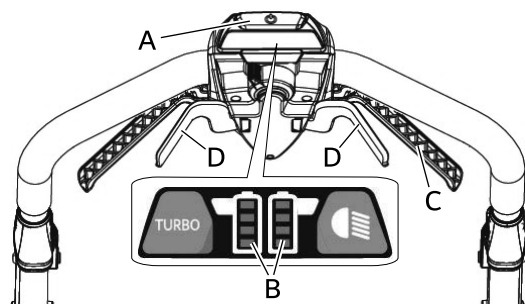
## AVVERTENZA

- Dopo l'installazione della batteria e quando il pulsante di accensione e l'interruttore a grilletto o l'interruttore di avanzamento sono inseriti, la lama di taglio e le ruote entreranno in funzione. Assicurarsi che l'unità sia posizionata correttamente, per evitare di perdere il controllo e scongiurare il rischio di gravi infortuni.

## IMPORTANTE

- Utilizzare l'unità e la batteria a temperature comprese tra 0 °C (32 °F) e 40 °C (104 °F).
- Prima di installare il pacco batterie e la chiave di sicurezza, esaminare la pedana di protezione per verificare con un guanto protettivo che l'erba non si impigli sulla lama e che la lama possa ruotare liberamente e orizzontalmente a mano.

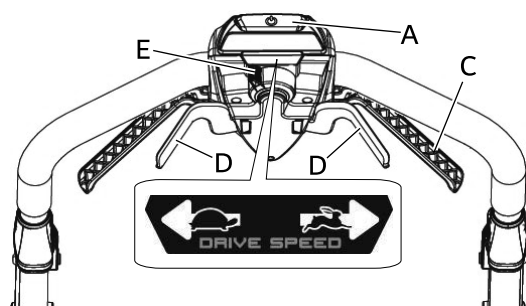
# Funzionamento



1. Assicurarsi che la chiave di sicurezza sia inserita nella fessura del vano batteria.
2. Premere il pulsante di accensione (A), premere l'interruttore a grilletto (C) o l'interruttore di avanzamento.
  - \* Il LED (B) dell'indicatore di alimentazione si illumina, insieme alla quantità di carica. Controllare la quantità di carica.
3. Rilasciare il pulsante di accensione (A), l'interruttore a grilletto (C) e l'interruttore di avanzamento (D). Dopo un po', il LED (B) dell'indicatore di alimentazione si spegne automaticamente.
4. Tenere premuto il pulsante di accensione (A) e premere l'interruttore a grilletto (C). La lama di taglio inizia a ruotare fino alla velocità operativa.
5. Rilasciare il pulsante di accensione (A). La lama di taglio continua a ruotare alla velocità operativa.
  - \* Se si rilascia l'interruttore a grilletto (C), la lama di taglio viene disattivata.

## Modalità a spinta.

- (1) spingere l'unità. Può essere spostata.



## Modalità semovente.

- (1) Impostare la manopola (E) della velocità per modificare la velocità.
  - \* Nella direzione del simbolo del coniglio la velocità aumenta e nella direzione del simbolo della tartaruga la velocità diminuisce.
- (2) Premere l'interruttore di avanzamento (D). Le ruote iniziano a ruotare per spostare l'unità in avanti. La velocità aumenta fino a quella impostata.
  - \* Se si rilascia l'interruttore di avanzamento (D), le ruote si arrestano. L'unità si ferma.
  - \* Dopo aver rilasciato l'interruttore a grilletto (C), tenendo premuto il pulsante di accensione (A) e premendo l'interruttore di avanzamento (D), le ruote iniziano a ruotare.
  - \* Sull'unità in marcia avanti, la velocità può essere regolata dalla manopola della velocità (E).

## IMPORTANTE

- Non tirare mai l'unità verso di sé mentre è in modalità semovente. Se è necessario allontanare il tosaerba da un muro o da un'ostruzione, guardare prima verso il basso e dietro di sé per evitare di inciampare, quindi seguire questi passaggi:
  - (1) Rilasciare l'interruttore a grilletto e di avanzamento.
  - (2) Allontanarsi dal tosaerba quanto basta per allungare completamente le braccia.
  - (3) Accertarsi di essere ben bilanciati.
  - (4) Tirare indietro lentamente l'unità.
- \* Prima e durante il movimento all'indietro con l'unità, guardare prima verso il basso e dietro di sé per vedere se ci sono bambini piccoli e altre persone.
- Se l'unità colpisce un oggetto estraneo, seguire questi passaggi:
  - (1) Rilasciare l'interruttore a grilletto e di avanzamento.
  - (2) Rimuovere la chiave di sicurezza e le batterie.
  - (3) Controllare se ci sono danni.
  - (4) Riparare eventuali parti danneggiate prima di riavviare e utilizzare l'unità.

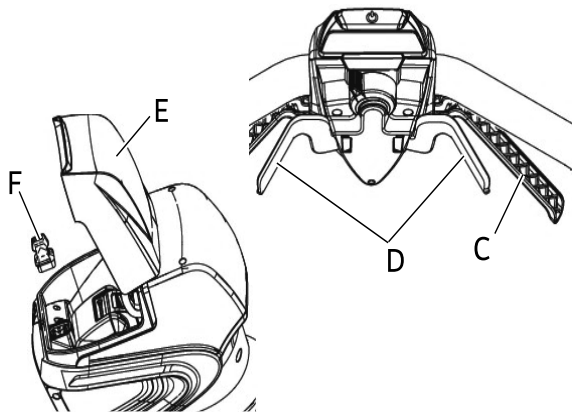


## Arresto dell'unità

## ⚠ AVVERTENZA

- La lama di taglio e le ruote continuano a funzionare per un breve periodo dopo lo spegnimento dell'unità.
- Se la lama o le ruote non si fermano quando l'interruttore a grilletto e l'interruttore di avanzamento vengono rilasciati, aprire lo sportello della batteria, estrarre la chiave di sicurezza e rimuovere la batteria per interrompere l'alimentazione all'unità. Far riparare l'unità dal proprio rivenditore autorizzato prima di utilizzarla nuovamente.

# Funzionamento

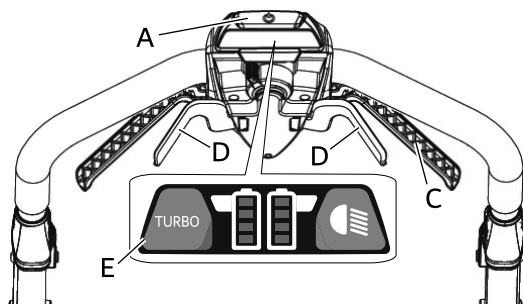


1. Rilasciare l'interruttore a grilletto (C) e l'interruttore di avanzamento (D), permettendo alla lama di taglio e alle ruote di spegnersi, per fermarle.
  - \* Se l'interruttore a grilletto (C) viene mantenuto premuto e l'interruttore di avanzamento (D) viene rilasciato, la lama di taglio viene mantenuta in rotazione. Quindi, se l'interruttore di azionamento (D) viene premuto, le ruote iniziano a ruotare per far avanzare nuovamente l'unità.
  - \* Se l'interruttore di avanzamento (D) viene mantenuto premuto e l'interruttore a grilletto (C) viene rilasciato, le ruote vengono mantenute in rotazione per far avanzare l'unità. Quindi, se l'interruttore a grilletto (C) viene premuto, la lama di taglio ruota di nuovo.
  - \* Al termine del lavoro, aprire lo sportello della batteria (E) e rimuovere la chiave di sicurezza (F) e la batteria.

## Modalità turbo della lama di taglio

### NOTA

La velocità della lama di taglio può essere accelerata nella modalità turbo.

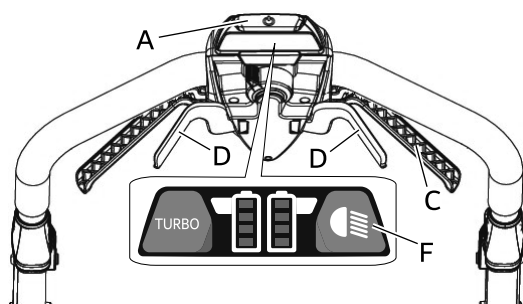


1. Quando si preme il pulsante di accensione (A), l'interruttore a grilletto (C) o l'interruttore di avanzamento (D), premere il pulsante turbo (E). La modalità turbo della lama viene impostata e il pulsante turbo (E) si illumina.
  - \* È possibile impostare la modalità turbo anche mentre anche la lama di taglio e le ruote sono in funzione.
  - \* Dopo aver acceso la lama o le ruote, premere solo il pulsante turbo (E) per impostare la modalità turbo della lama.
2. Premere nuovamente il pulsante turbo (E). La modalità turbo viene annullata e la spia si spegne.

## Modalità faro

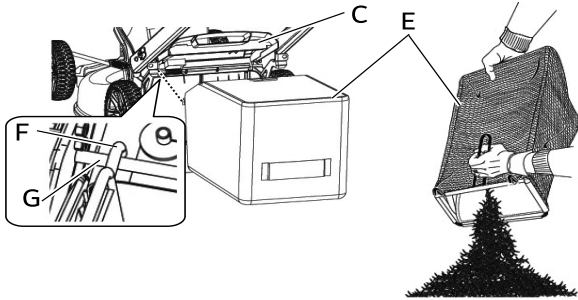
### ⚠ AVVERTENZA

○ L'unità è dotata di faro a LED. Non fissare il fascio luminoso e utilizzare protezioni per gli occhi durante la riparazione.



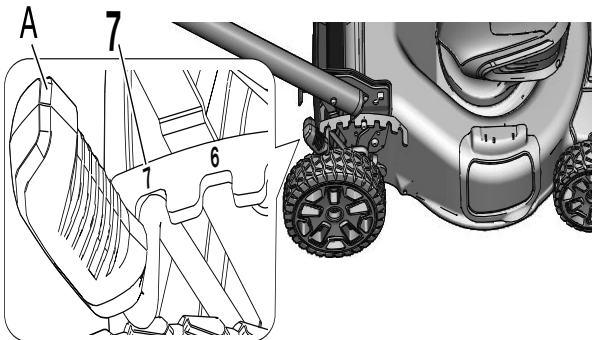
1. Quando si preme il pulsante di accensione (A), l'interruttore a grilletto (B) o l'interruttore di avanzamento (D), premere il pulsante luminoso del faro a LED (F). La modalità faro è impostata. Quando la lama o la ruota vengono accese, i fari a LED iniziano a illuminarsi.
  - \* È possibile impostare la modalità faro anche mentre l'unità è in funzione.
  - \* Dopo aver acceso la lama o le ruote, premere solo il pulsante faro a LED (F) per impostare la modalità faro.
2. Premere nuovamente il pulsante faro a LED (F). La modalità faro viene annullata.
3. Premere di nuovo solo il pulsante faro a LED (F). La modalità faro viene impostata.

## Svuotare il cesto raccogliherba



1. Rimuovere la chiave di sicurezza e i pacchi batterie.
2. Aprire lo sportello di scarico posteriore (C) e sganciare i ganci (F) dall'asta (G) dello sportello per rimuovere il cesto raccogliherba (E).
3. Chiudere lo sportello di scarico posteriore (C).
4. Svuotare il cesto raccogliherba (E).

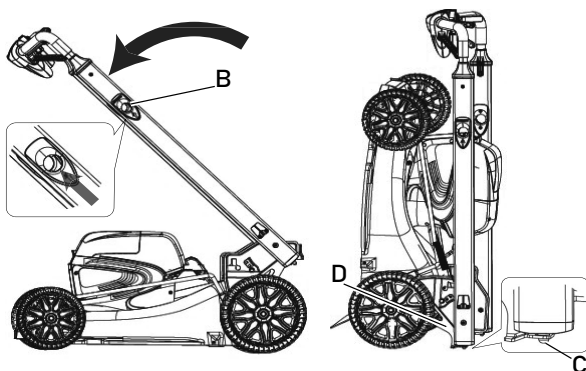
## Conservazione in posizione verticale



1. Montare il supporto di montaggio (superiore) (A) dell'impugnatura nel supporto di montaggio (inferiore) (B) e fissare l'impugnatura serrando leggermente il bullone di montaggio (C).
  2. Regolare l'inclinazione dell'impugnatura in posizione adeguata (comoda per il lavoro) e serrare a fondo il bullone di montaggio.
- \* Per regolare il bullone di fissaggio (D) procedere (secondo necessità)
- (1) Serrare al massimo i bulloni.
  - (2) Allentare i bulloni di 1 giro e  $1/2$ .
- E: Freccia  
F: Alla testa dell'unità

### **⚠ ATTENZIONE**

○ **Installare l'impugnatura sul lato testa unità, operando in corrispondenza del contrassegno a forma di freccia.**



3. Per evitare che il cavo (I) si allenti, fissarlo all'albero (H) (2 punti) e all'impugnatura a U destra (1 punto) con i fermi di fissaggio (G).

## Visualizzazione degli errori

### **IMPORTANTE**

○ Il numero di bip informa relativamente ai problemi e relativi rimedi.

# Funzionamento

Numero di bip	Sintomo	Rimedio
1	L'unità non si avvia.	Contattare un rivenditore autorizzato.
2	L'unità smette di funzionare.	Lasciare raffreddare l'unità. Se il problema persiste, contattare un rivenditore autorizzato.
3	L'unità non si avvia.	Controllare che il pacco batterie e i terminali non presentino corrosione o detriti. Se il problema persiste, contattare un rivenditore autorizzato.
4	L'unità si avvia e poi si arresta o non si avvia.	Avviare l'unità, in un primo momento non eseguendo un taglio completo, quindi procedere al taglio normale. Se il problema persiste, contattare un rivenditore autorizzato.
5	L'unità non si avvia.	Caricare completamente il pacco batterie e riprovare. Se il problema persiste, contattare un rivenditore autorizzato.
6	L'unità smette di funzionare	Lasciare raffreddare la batteria. Se il problema persiste, contattare un rivenditore autorizzato.
7	L'unità si avvia e poi si arresta o non si avvia.	Spostare l'unità in piano e riprovare. Se il problema persiste, contattare un rivenditore autorizzato.
8	La lama non gira.	Rimuovere le batterie e la chiave di sicurezza, rimuovere l'ostruzione, quindi riprovare.
9	L'unità non raggiunge la massima velocità.	Avviare l'unità, in un primo momento non eseguendo un taglio completo, quindi procedere al taglio normale. Se il problema persiste, contattare un rivenditore autorizzato.

- ♦ In caso di problemi non menzionati in tabella sopra, o in presenza di altri problemi, consultare il proprio rivenditore.
- ♦ Contattare il proprio rivenditore per smaltire il prodotto o parti di esso in conformità alle normative nazionali.

## PERICOLO

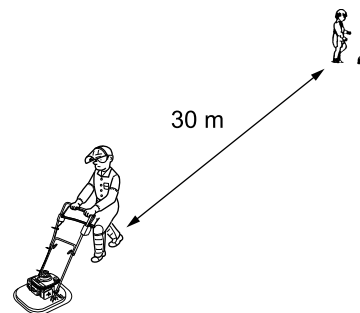
- Arrestare sempre l'unità e rimuovere la chiave di sicurezza e la batteria quando si verifica un inceppamento della lama di taglio e delle ruote.

Se durante la rimozione dell'inceppamento la lama di taglio e le ruote si avviano improvvisamente, possono causare gravi lesioni.

- L'area nel raggio di 30 m dall'unità deve essere considerata zona pericolosa. Osservare le seguenti precauzioni mentre si sta lavorando con l'unità.

- ◆ Non permettere a bambini, altre persone o animali di entrare nella zona pericolosa.
- ◆ Se nell'area di lavoro sono presenti altre persone, spegnere le lame e le ruote per arrestarne la rotazione.
- ◆ Prima di avvicinarsi all'utente, segnalare la propria presenza, per esempio, gettando dei ramoscelli dall'esterno della zona pericolosa, quindi controllare che le lame e le ruote siano spente e abbiano smesso di ruotare.
- ◆ Se più persone devono lavorare con l'unità, trovare un modo per comunicare con i colleghi da una distanza di 30 m.

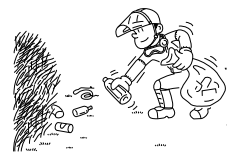
Qualsiasi oggetto che rimbalzi dall'unità, comprese la lama di taglio e le ruote, e qualsiasi contatto con l'unità, comprese queste, possono causare cecità o un incidente mortale.



## AVVERTENZA

- Prima di iniziare il lavoro, controllare l'area in cui si lavorerà e rimuovere eventuali piccole pietre e lattine vuote che potrebbero rimbalzare dall'unità, comprese la lama e le ruote, nonché eventuali pezzi di corda o filo che potrebbero attorcigliarsi intorno all'unità, comprese lama e ruote. Pianificare il percorso di falciatura per evitare che il materiale venga scaricato verso strade, marciapiedi, passanti e simili.

Corpi estranei rimbalzati dall'unità o fili e altri materiali attorcigliati attorno all'unità possono causare un incidente o lesioni gravi.



- Nelle seguenti situazioni, arrestare immediatamente l'unità e accertarsi che la lama di taglio e le ruote siano ferme, quindi rimuovere la chiave di sicurezza e le batterie prima di procedere ad un'accurata ispezione di tutte le parti dell'unità. Sostituire le parti danneggiate.

- ◆ Se l'unità, compresa la lama di taglio, urta contro una roccia, un albero, un palo o qualsiasi altra ostruzione mentre si sta lavorando.
- ◆ Se l'unità comincia improvvisamente a vibrare in maniera anomala.

Continuare a utilizzare parti danneggiate potrebbe provocare un incidente o lesioni gravi.

- Non utilizzare l'unità su pendenze superiori a 15 gradi.

Le pendenze sono un fattore importante relativamente agli incidenti da scivolamento e caduta, che possono causare gravi lesioni. Il funzionamento su pendenze richiede particolare attenzione. Se ci si sente a disagio su una pendenza, non eseguire la falciatura.

### Trasporto dell'unità

- Durante il trasporto nelle situazioni descritte di seguito, spegnere la lama di taglio e assicurarsi che la lama abbia smesso di ruotare.

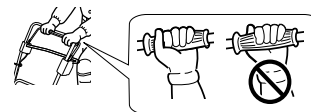
- ◆ Spostandosi verso il luogo in cui si sta lavorando.
- ◆ Spostandosi in un altro luogo mentre si sta lavorando.
- ◆ Lasciando il luogo in cui è stato eseguito il lavoro.

- Durante il trasporto in automobile, rimuovere il pacco batterie dall'unità e fissare saldamente l'unità per evitare che si muova durante il viaggio.

La mancata osservanza di queste precauzioni potrebbe causare scottature o lesioni gravi.

- Non sporgersi, mantenere sempre una postura di lavoro stabile e bilanciata.
- Se si sente che si sta perdendo l'equilibrio, rilasciare immediatamente l'impugnatura di controllo: la lama e le ruote smetteranno di ruotare entro tre secondi.
- Le dita e il pollice di ogni mano devono afferrare saldamente le impugnature.
- Le impugnature e le superfici di presa devono essere sempre asciutte pulite e prive di olio e grasso.

Impugnature e superfici di presa scivolose non consentono la gestione e il controllo dell'unità in situazioni impreviste.

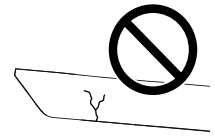


# Operazioni di taglio

## Funzionamento base del taglio con disco metallico

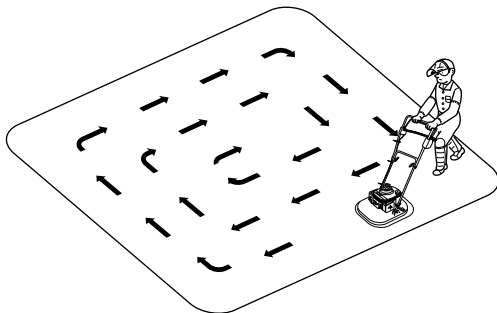
### ⚠ AVVERTENZA

- Durante la falciatura, attenersi alle seguenti istruzioni.
  - ◆ Verificare che la lama di taglio e le ruote siano serrate saldamente in posizione.
  - ◆ Sostituire la pedana di protezione, il cesto raccogliherba, il tappo di pacciamatura e lo scivolo di scarico laterale, se danneggiati o incrinati.
  - ◆ Quando sono usurati, sostituire la lama di taglio e i dadi della ruota.
  - ◆ Non inserire la lama nel suolo.
  - ◆ Non lavorare con una lama non affilata, piegata, fratturata o scolorita e dadi o ruote usurati o danneggiati.



La mancata osservanza di queste precauzioni potrebbe causare incidenti o lesioni gravi.

- Utilizzare solo lame di taglio e ruote raccomandate da YAMABIKO Corporation. YAMABIKO CORPORATION declina qualsiasi responsabilità per guasti a dispositivi di taglio Accessorio, o ad accessori non collaudati e non approvati da YAMABIKO per l'uso con questa unità.
- Il tipo di lama utilizzato deve essere adeguato per il tipo e dimensione del materiale da tagliare. Una lama inadatta o poco affilata può causare gravi lesioni personali. Le lame devono essere affilate. Le lame scarsamente affilate comportano un maggiore rischio di contraccolpi e infortuni dell'operatore e di eventuali persone presenti. L'utilizzo di lame danneggiate o rovinata può causare incidenti e lesioni gravi.
- Durante il taglio di rami e arbusti in tensione, prestare attenzione agli eventuali contraccolpi. Quando viene rilasciata la tensione presente nelle fibre del legno, l'energia cinetica accumulata dal ramo o arbusto può causare un contraccolpo, colpendo l'operatore e/o causando la perdita di controllo della macchina.
- Prestare particolare attenzione durante il taglio di cespugli, dal momento che i rami flessuosi possono bloccare la lama e farla rimbalzare contro l'operatore o fargli perdere l'equilibrio. La mancata osservanza di queste istruzioni potrebbe provocare lesioni o la morte.



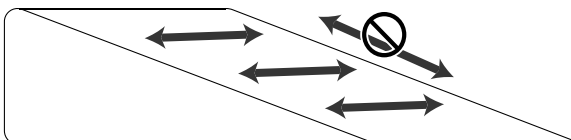
- ◆ Per aree ampie e piane, falciare in senso orario dal perimetro verso l'interno.
- ◆ Fare attenzione perché l'erba bagnata è scivolosa.
- ◆ Tenere l'impugnatura dell'unità con entrambe le mani mentre si lavora e lavorare in modo che la pedana di protezione sia sempre parallela al terreno.
- ◆ Per l'erba dura e alta, iniziare il taglio posizionando la lama di taglio in posizione alta e tagliare ad un'altezza inferiore solo successivamente.
- ◆ L'erba bagnata si attacca facilmente, quindi rimuoverla di tanto in tanto. Durante la pulizia, indossare guanti, rimuovere sempre la chiave di sicurezza e la batteria e assicurarsi che la lama si fermi completamente.

## Funzionamento in pendenza

### ⚠ AVVERTENZA

- Non utilizzare l'unità su pendenze superiori a 15 gradi.
- Fare attenzione a buche, radici, rocce, oggetti nascosti o dossi che possono farti scivolare o inciampare. L'erba alta può nascondere gli ostacoli. Rimuovere tutti gli ostacoli come rocce e rami di alberi.
- Verificare di essere in equilibrio stabile. Se non si è in equilibrio, rilasciare immediatamente l'interruttore.
- Mantenere una bassa velocità di semovenza.
- Usare la massima prudenza quando si cambia direzione.
- Non tagliare mai verso l'alto o verso il basso.
- Non falciare mai vicino a discese, fossi o terrapieni. Non falciare mai su erba bagnata.

Le pendenze sono un fattore importante relativamente agli incidenti da scivolamento e caduta, che possono causare gravi lesioni. Il funzionamento su pendenze richiede particolare attenzione. Se ci si sente a disagio su una pendenza, non eseguire la falciatura.



- ◆ lavorare sempre di trasversalmente alle pendenze, mai verso l'alto o il basso.

## **⚠ AVVERTENZA**

Osservare le seguenti precauzioni durante il controllo e la manutenzione del prodotto dopo l'uso:

○ **Spegnere l'unità, rimuovere la batteria e assicurarsi che tutte le parti in movimento si siano completamente arrestate.**

Un avvio imprevisto del prodotto potrebbe causare un incidente.

○ **Prima di eseguire le operazioni di manutenzione, far raffreddare l'attrezzo.**

L'esecuzione di interventi a motore caldo può causare ustioni.

○ **Mai effettuare la manutenzione di pacchi batterie danneggiati. La manutenzione dei pacchi batterie deve essere effettuata esclusivamente dal produttore o da addetti all'assistenza autorizzati.**

## **IMPORTANTE**

○ Il controllo e la manutenzione richiedono competenze specializzate. In caso di problemi o difficoltà durante il controllo o la manutenzione del prodotto o la riparazione in caso di guasto, consultare il proprio rivenditore. Non tentare di smontare il prodotto.

○ Pulire la macchina con un panno asciutto. Non utilizzare acqua.

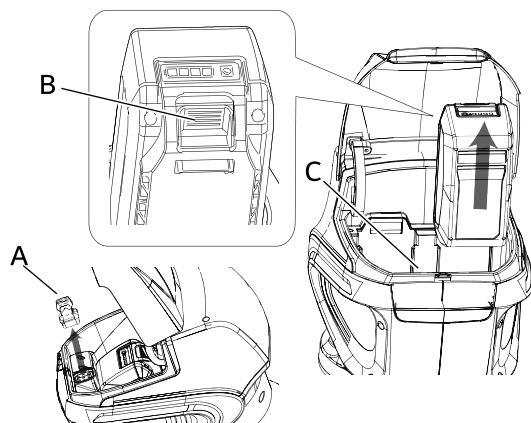
## **Guida alla manutenzione**

Parte	Manutenzione	Pagina	Prima dell'uso	Mensilmente
Batteria, vano batteria	Ispezionare/pulire/caricare	29	•	
Lama di taglio	Ispezionare/pulire	28,31	•	
Disco	Ispezionare/pulire	31	•	
Pedana di protezione, protezione posteriore	Ispezionare/pulire	31	•	
Scivoli di scarico	Ispezionare/pulire	31	•	
Viti, bulloni e dadi	Ispezionare/serrare/sostituire	-	•	

## **Manutenzione e cura**

In caso di dubbi o problemi, contattare il rivenditore ECHO.

### **Pulitura della batteria e dello scomparto batterie**



## **⚠ AVVERTENZA**

○ **Rischio di scosse elettriche o incendio. Non utilizzare materiali conduttivi per pulire la batteria o il vano batteria.**

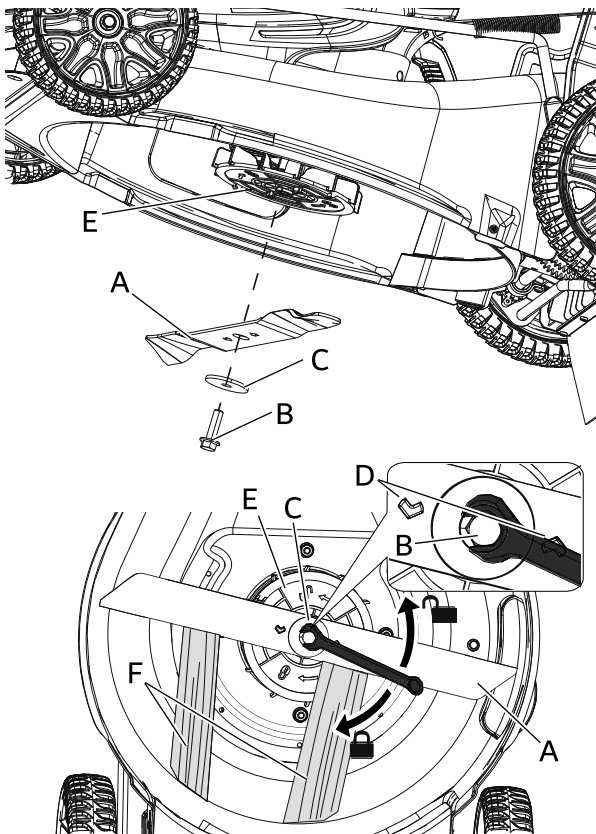
1. Rilasciare il pulsante di accensione, l'interruttore a grilletto e l'interruttore di avanzamento e consentire l'arresto della lama e delle ruote.
2. Rimuovere la chiave di sicurezza (A).
3. Premere il fermo (B) del pacco batterie e far scorrere il pacco batteria fuori dal vano batteria (C).
4. Utilizzare aria compressa o una spazzola a setole morbide per rimuovere gli eventuali residui presenti sulla batteria e nel vano batteria (C).

# Manutenzione e cura

## Montaggio della lama

### **⚠ AVVERTENZA**

- Indossare guanti protettivi durante l'uso della lama di taglio.
  - Quando si sostituisce la lama di taglio durante un'operazione di rifilatura, rilasciare il pulsante di accensione, l'interruttore a grilletto e l'interruttore di avanzamento, quindi assicurarsi che la lama e le ruote si siano fermate e che la chiave di sicurezza e le batterie siano state rimosse.
  - Non tentare di montare la lama di taglio con una mano o senza utilizzare chiavi. Montare accuratamente la lama di taglio utilizzando una chiave e serrare saldamente in posizione.
  - Per serrare la lama, non utilizzare strumenti diversi da una chiave; attrezzi elettrici o pneumatici possono serrare eccessivamente la lama e causare la rottura del dado o dell'alberino di uscita.
  - Se si utilizza un dado usurato per la lama, questa potrebbe allentarsi. Sostituirli con componenti nuovi.
- La mancata osservanza di queste precauzioni potrebbe causare lesioni o incidenti gravi.



### Rimozione

1. Arrestare l'unità. Verificare che la lama di taglio (A) sia completamente ferma.
2. Rimuovere la chiave di sicurezza e le batterie.
3. Ispezionare la nuova lama di taglio (A) prima di installarla. Verificare l'affilatura.
4. Utilizzare un pezzo di legno (F) o uno speciale strumento di supporto per lame di tosaerba per impedire il movimento della lama di taglio (A) in uso.
5. Allentare il bullone di montaggio (B) in senso antiorario con una chiave per rimuovere il bullone di montaggio (B) e il distanziale (C).
6. Rimuovere la lama di taglio (A).

### Installazione

### **⚠ ATTENZIONE**

- Fissare l'albero di uscita in modo sicuro utilizzando un pezzo di legno o uno speciale strumento di supporto per lame di tosaerba per evitare che la lama appena montata possa ruotare. Altrimenti, il dado di fissaggio della lama non verrà serrato sufficientemente.

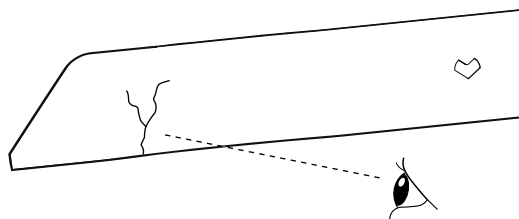
7. Inserire la nuova lama di taglio (A) e assicurarsi che le frecce (D) sulla testa di uscita si innestino sui fori sulla lama di taglio (A), quindi inserire il distanziale (C) e il bullone di montaggio (B) e ruotare manualmente il bullone di montaggio (B) in senso orario.

### **⚠ ATTENZIONE**

- Non serrare mai applicando il proprio peso. Altrimenti, la filettatura del bullone (B) o della testa di uscita (E) potrebbe rompersi.

8. Serrare saldamente il bullone di montaggio (B) in senso orario con una chiave per fissare il distanziale (C) e la lama di taglio. Coppia di serraggio consigliata: 33-37 Nm.
9. Rimuovere il pezzo di legno (F) o lo speciale strumento di supporto per lame di tosaerba.
10. Esaminare la lama e verificare a mano con il guanto protettivo che possa girare liberamente e orizzontalmente.

## Verifica della lama



- ♦ Utilizzare solo la lama raccomandate dal fabbricante per questo modello.
- ♦ Non usare lame incrinate, ma sostituirle con lame nuove.
- ♦ Verificare che la lama sia correttamente montata in conformità alle istruzioni.
- ♦ Quando la lama è danneggiata o piegata le vibrazioni aumentano. Sostituirla con una nuova.
- ♦ Pulire la lama di taglio.

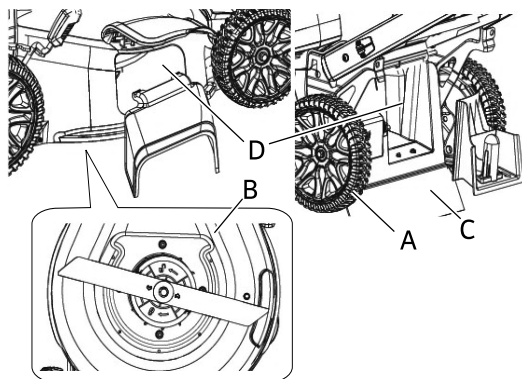
### **⚠ ATTENZIONE**

- Una lama non affilata aumenta il rischio di contraccolpi della lama.
- Piccole incrinature possono trasformarsi in rotture, che possono causare l'espulsione di una parte della lama durante il funzionamento.
- Se necessario, far affilare uniformemente la lama da una persona esperta.

## Pulire l'unità

### **⚠ ATTENZIONE**

- Indossare guanti protettivi quando si lavora vicino della lama di taglio.
- Quando pulisce l'unità, rilasciare il pulsante di accensione, l'interruttore a grilletto e l'interruttore di avanzamento, quindi assicurarsi che la lama e le ruote si siano fermate e che la chiave di sicurezza e le batterie siano state rimosse. La mancata osservanza di queste precauzioni potrebbe causare lesioni o incidenti gravi.
- Non lasciare che liquidi per freni, benzina, materiali a base di petrolio, solventi forti o detergenti entrino in contatto con parti in plastica. I prodotti chimici possono danneggiare la plastica e renderla inutilizzabile.



1. Rilasciare il pulsante di accensione, l'interruttore a grilletto e l'interruttore di avanzamento.
2. Rimuovere la chiave di sicurezza e le batterie.
3. Pulire e ispezionare le ruote (A), la pedana di protezione (B), la protezione posteriore (C) e gli scivoli di scarico (D).

### **IMPORTANTE**

- Rimuovere l'erba intorno agli alberi della lama di taglio e delle ruote.

# Manutenzione e cura

## Problemi tecnici

### IMPORTANTE

○ Per i pezzi di ricambio e gli articoli di consumo, utilizzare solo parti originali, prodotti e componenti raccomandati. L'utilizzo di ricambi di altri produttori o componenti non raccomandati potrebbe provocare guasti.

Problema	Causa	Rimedio
La spia rossa del caricabatterie lampeggia oppure non si illumina	<ol style="list-style-type: none"> <li>1. Spina non collegata alla presa a muro</li> <li>2. Pacco batterie non installato correttamente</li> <li>3. Collegamento ostruito</li> <li>4. Anomalia nel caricabatterie</li> <li>5. Anomalia nel pacco batterie</li> </ol>	<ol style="list-style-type: none"> <li>1. Collegare il caricabatterie all'alimentazione</li> <li>2. Controllare l'installazione del pacco batterie</li> <li>3. Reinstallare il pacco batterie dopo aver rimosso le ostruzioni dal collegamento.</li> <li>4. Consultare il rivenditore</li> <li>5. Consultare il rivenditore</li> </ol>
L'unità non funziona dopo l'accensione	<ol style="list-style-type: none"> <li>1. Pacco batterie non installato correttamente</li> <li>2. Pacco batterie scarico</li> <li>3. La testina a filo è ostruita</li> <li>4. La temperatura del pacco batterie è superiore ai valori considerati accettabili</li> <li>5. È presente erba incastrata tra la pedana di protezione e la lama di taglio o le ruote.</li> <li>6. Può essere necessario eseguire la manutenzione o sostituire il pacco batteria.</li> </ol>	<ol style="list-style-type: none"> <li>1. Controllare l'installazione del pacco batterie</li> <li>2. Caricare il pacco batterie</li> <li>3. Spegnerne l'unità e pulire l'accessorio di taglio</li> <li>4. Rimuovere il pacco batteria e farlo raffreddare</li> <li>5. Rimuovere la batteria e la chiave di sicurezza; verificare la presenza di inceppamenti sotto la pedana di protezione.</li> <li>6. Contattare il proprio rivenditore o sostituire la batteria.</li> </ol>
Tempo di funzionamento troppo breve	<ol style="list-style-type: none"> <li>1. La temperatura del pacco batterie è superiore ai valori considerati accettabili</li> <li>2. I componenti elettronici sono surriscaldati</li> <li>3. Pacco batterie scarico</li> </ol>	<ol style="list-style-type: none"> <li>1. Rimuovere il pacco batteria e farlo raffreddare</li> <li>2. Spegnerne l'unità e attendere che si raffreddi</li> <li>3. Caricare il pacco batterie</li> </ol>
L'unità taglia l'erba in modo non uniforme.	<ol style="list-style-type: none"> <li>1. Il prato è ruvido o irregolare.</li> <li>2. L'altezza di taglio non è impostata correttamente.</li> <li>3. La lama di taglio non è affilata.</li> </ol>	<ol style="list-style-type: none"> <li>1. Controllare l'area di taglio.</li> <li>2. Spostare la leva di regolazione dell'altezza su altezze maggiori.</li> <li>3. Sostituire o affilare la lama.</li> </ol>
L'unità è eccessivamente rumorosa e vibra.	<ol style="list-style-type: none"> <li>1. L'albero della lama di taglio o delle ruote è piegato.</li> <li>2. La lama di taglio o la ruota sono sbilanciate.</li> </ol>	<ol style="list-style-type: none"> <li>1. Arrestare l'unità e controllare se è danneggiata. Contattare il proprio rivenditore per la riparazione.</li> <li>2. Riparare prima di riavviare. Se la vibrazione persiste, contattare il rivenditore.</li> </ol>
L'unità si spingere o si sposta in modo scomodo con difficoltà.	<ol style="list-style-type: none"> <li>1. L'erba è troppo alta o l'altezza di taglio è troppo bassa.</li> <li>2. La parte posteriore del cesto raccogliore d'erba si sta trascinando nell'erba spessa.</li> </ol>	<ol style="list-style-type: none"> <li>1. Aumentare l'altezza di taglio.</li> <li>2. Svuotare il cesto raccogliore.</li> </ol>
L'unità non esegue correttamente la pacciamatura.	<ol style="list-style-type: none"> <li>1. I residui di erba bagnata si attaccano alla parte inferiore della pedana di protezione.</li> <li>2. Tappo per pacciamatura mancante.</li> </ol>	<ol style="list-style-type: none"> <li>1. Rimuovere il pacco batteria e pulire l'unità. Attendere che l'erba si asciughi prima di tagliare.</li> <li>2. Installare il tappo per pacciamatura.</li> </ol>

- ♦ In caso di problemi non menzionati in tabella sopra, o in presenza di altri problemi, consultare il proprio rivenditore.
- ♦ Contattare il proprio rivenditore per smaltire il prodotto o parti di esso in conformità alle normative nazionali.

## Rimessaggio

### **AVVERTENZA**

○ **Non stoccare in un contenitore in cui potrebbero accumularsi fumi infiammabile.**  
Ciò potrebbe provocare un incendio.



Quando si immagazzina il prodotto per un lungo periodo, assicurarsi di effettuare le seguenti operazioni di preparazione.

#### Unità motore

1. Spegnerne l'unità.
2. Rimuovere la chiave di sicurezza e il pacco batterie dall'alloggiamento della batteria.
3. Rimuovere eventuali accumuli di sporco e detriti dalle parti esterne dell'unità.
4. Serrare tutte le viti e i dadi.
5. Chiudere lo sportello della batteria.
6. Conservare l'unità in un luogo asciutto e privo di polvere, lontano dalla portata dei bambini.
7. Conservare l'unità a temperature comprese tra 0 °C (32 °F) e 40 °C (104 °F).

#### Batteria

1. Rimuovere la batteria dal proprio alloggiamento.
2. Coprire la batteria.
3. Conservare in un luogo asciutto e privo di polvere, lontano dalla portata dei bambini.
4. Conservare a temperature comprese tra 0 °C (32 °F) e 40 °C (104 °F).
5. Se la batteria deve restare inutilizzata per oltre un anno, ricaricarla fino al 40% - 60% della capacità e conservarla a temperature comprese tra 10 °C (50 °F) e 30 °C (86 °F).

#### Caricabatterie

1. Rimuovere la batteria dal caricabatterie.
2. Coprire il caricabatterie.
3. Scollegare il caricabatterie dall'alimentazione di rete.
4. Conservare in un luogo asciutto e privo di polvere, lontano dalla portata dei bambini.

## Smaltimento



- ♦ I componenti principali di plastica del prodotto presentano dei codici che indicano i materiali che li costituiscono. I codici fanno riferimento ai seguenti materiali; smaltire questi componenti di plastica in conformità alla legislazione locale.

Contrassegno	Materiale
>PA6-GF<	Nylon 6 - Fibra di vetro
>PP-GF<	Polipropilene - Fibra di vetro
>PE-HD<	Polietilene
>PP<	Polipropilene
>ABS<	Acrilonitrile-butadiene-stirene

- ♦ Contattare il proprio concessionario per ottenere informazioni sulle modalità di smaltimento dei componenti in plastica.
- ♦ La batteria contiene litio. Eseguire lo smaltimento soltanto presso uno dei punti di raccolta designati.
- ♦ Le batterie agli ioni di litio devono essere riciclate o smaltite correttamente.

# Caratteristiche tecniche

		<b>DLM-5100SP</b>		
<b>Dimensioni esterne:</b> Lunghezza × Larghezza × Altezza		1590× 560 × 1190 mm		
<b>Massa:</b> Unità senza batteria, Cesto raccogliherba, Tappo per pacciamatura, Scivolo di scarico laterale Unità con batteria		27,6 kg 31,7 kg		
<b>Lama di taglio:</b> Testa di taglio in metallo Frequenza massima di rotazione del mandrino		515 mm 2800 r/min, 3200r/min (Turbo)		
<b>Batteria:</b> Tipo Pacco in tensione		LBP-56V125, LBP-56V250, LBP-50-150, LBP-50-250 Ioni di litio 56 Volt (nominale, 50,4 V)		
<b>Caricabatterie:</b> Tensione di ingresso caricabatterie Tempo di carica (approssimativo)	V min	LC-56V4A CA 220-240 38 (LBP-56V125) 75 (LBP-56V250) N/A (LBP-50-150)* N/A (LBP-50-250)*	LCJQ-560 CA 220-240 47 (LBP-56V125) 86 (LBP-56V250) 47 (LBP-50-150) 89 (LBP-50-250)	LCJU-560 CA 220-240 47 (LBP-56V125) 52 (LBP-56V250) 47 (LBP-50-150) 57 (LBP-50-250)
<b>Spie del caricabatterie:</b>		LED Rosso - La temperatura della batteria ha superato i valori di temperatura prestabiliti LED Rosso lampeggiante - Malfunzionamento LED Verde - Ricarica batteria completata LED Verde lampeggiante - La ricarica procede normalmente		
<b>Livelli di vibrazioni:</b> (EN IEC 62841-4-3) Incertezza:K		≤2,5 m/s <sup>2</sup> 1,5		
<b>Livello pressione acustica:</b> (EN IEC 62841-4-3) <b>Livello potenza acustica:</b> (EN IEC 62841-4-3) Incertezza		81,4 dB(A) 94,3 dB(A) 3,0 dB(A)		

\* Non ricaricare la batteria LBP50-150/LBP-50-250 con il caricabatterie LC-56V4A.

Queste specifiche possono subire modifiche senza preavviso.

Le vibrazioni e le emissioni rumorose durante l'uso effettivo dell'unità possono variare rispetto ai valori dichiarati a seconda del modo di utilizzo dell'attrezzo e in particolare in base al tipo di pezzo trattato.

# Dichiarazione di conformità

Il produttore sottoscritto:

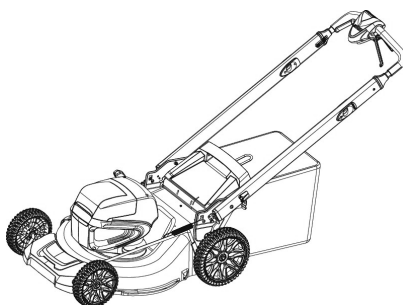
**YAMABIKO CORPORATION**  
1-7-2 Suehirocho, Ohme, Tokyo 198-8760 GIAPPONE

La presente dichiarazione di conformità viene rilasciata sotto la responsabilità esclusiva del produttore.

Dichiara che il nuovo attrezzo di seguito descritto:

**TOSAERBA**

**Marchio: ECHO**  
**Tipo: DLM-5100SP**



È conforme a:

- \* i requisiti della **Direttiva 2006/42/CE** (uso della norma armonizzata **ISO 62841-1: 2015+A11:2022, EN IEC 62841-4-3: 2021+A11: 2021**)
- \* requisiti richiesti dalla **Direttiva 2014/30/UE** (uso della norma armonizzata **EN 55014-1: 2017+A11: 2020, EN 55014-2: 1997+A1: 2001+A2: 2008**)
- \* i requisiti richiesti dalla **Direttiva 2000/14/EC** modificata dalla **2005/88/EC**

Conforme alla procedura di accertamento dell'**ALLEGATO VI**

TÜV Rheinland LGA Products GmbH (Organismo notificato 0197)  
Tillystrasse 2, 90431 Nürnberg – Germania

Livello di potenza acustica misurato: 94 dB(A)

Livello di potenza acustica garantito: 98 dB(A)

- \* i requisiti richiesti dalla **Direttiva 2011/65/CE** (uso della norma armonizzata **EN IEC 63000: 2018**)

Numero di serie da E82335001001 a E82335100000

Tokyo, 1 Febbraio 2024

**YAMABIKO CORPORATION**



**Katsunori Kon**  
**General Manager**  
**Quality Assurance Dept.**

**Rappresentante autorizzato in Europa a costituire il fascicolo tecnico.**

Azienda: CERTIFICATION EXPERTS B.V.

Indirizzo: Amerlandseweg 7, 3621 ZC Breukelen, Paesi Bassi

**Richard Glaser**

# YAMABIKO CORPORATION

1-7-2 Suehirocho, Ohme, Tokyo 198-8760 GIAPPONE  
TELEFONO: 81-428-32-6118. FAX: 81-428-32-6145.

**ECHO**®



X750829-2201



ESPAÑOL  
ES (Instrucciones originales)

# MANUAL DE INSTRUCCIONES CORTACÉSPED DLM-5100SP

## ADVERTENCIA



LEA ATENTAMENTE LAS INSTRUCCIONES Y SIGA LAS INDICACIONES PARA UN FUNCIONAMIENTO SEGURO. DE NO HACERLO, PODRÍA SUFRIR LESIONES GRAVES.



# Contenido

---

Información importante .....	3
Para una utilización segura del producto.....	4
Descripción .....	14
Antes de comenzar .....	15
Lista de piezas.....	15
Carga de la batería .....	15
Montaje .....	17
Ajuste de la altura de corte .....	18
Coloque y retirada de la batería .....	19
Funcionamiento .....	21
Encendido de la unidad .....	21
Detención de la unidad .....	22
Modo turbo de la cuchilla de corte.....	23
Modo de faro .....	23
Vacíe el recogedor de hierba.....	24
Almacenamiento en vertical.....	24
Indicación de error .....	24
Funcionamiento del recorte de bordes .....	26
Funcionamiento básico del recorte de bordes con la cuchilla metálica.....	27
Utilización en pendientes.....	27
Mantenimiento y cuidados .....	28
Directivas de asistencia .....	28
Mantenimiento y cuidados .....	28
Tabla de localización de averías .....	31
Almacenamiento .....	32
Eliminación .....	32
Características técnicas.....	33
Declaración de conformidad .....	34

# Información importante

---

## **Asegúrese de leer el manual de instrucciones antes de utilizar el producto.**

### **○ Uso al que está destinado este producto**

- ♦ Este producto ha sido diseñado para el control de la maleza y la siega del césped.
- ♦ No utilice esta herramienta para un uso distinto de aquel para el que se ha diseñado.

### **○ Usuarios del producto**

- ♦ No deberá utilizar este producto hasta que no haya leído atentamente el manual de instrucciones y entendido su contenido.
- ♦ Nunca permita que los niños, las personas con capacidades físicas, sensoriales o mentales reducidas o con falta de experiencia y conocimientos ni las personas que no estén familiarizadas con estas instrucciones utilicen la máquina, los reglamentos locales pueden restringir la edad del operador.
- ♦ Tenga presente que el operador o usuario es responsable de los accidentes o peligros ocasionados a terceras personas o a su propiedad.

### **○ Acerca del manual de instrucciones**

- ♦ Este manual proporciona la información necesaria para el funcionamiento y mantenimiento de esta máquina. Léalo atentamente y entienda su contenido.
- ♦ Mantenga siempre el manual en un lugar fácilmente accesible.
- ♦ Si ha perdido el manual o si está dañado y no es legible, adquiera uno nuevo en su DISTRIBUIDOR ECHO.
- ♦ Las unidades utilizadas en este manual son unidades SI (sistema internacional de unidades). Las cifras que aparecen entre paréntesis son valores de referencia y, en algunos casos, puede haber un ligero error de conversión.

### **○ Préstamo o asignación del producto**

- ♦ Cuando preste el producto descrito en este manual a una tercera persona, asegúrese de que la persona que recibe y trabaja con el producto reciba el manual de instrucciones con el mismo. Si asigna el producto a una tercera persona, adjunte el manual de instrucciones con el producto cuando haga la entrega.

### **○ Consultas**

- ♦ Póngase en contacto con su DISTRIBUIDOR ECHO para consultas relacionadas con información del producto, para la adquisición de consumibles, reparaciones y cualquier otro tipo de consultas.

### **○ Avisos**

- ♦ El contenido de este manual puede sufrir cambios sin previo aviso debido a actualizaciones del producto. Algunas de las ilustraciones utilizadas pueden ser diferentes al propio producto para hacer más claras las explicaciones.
- ♦ Este producto requiere el montaje de algunas piezas.
- ♦ Consulte con su DISTRIBUIDOR ECHO si hay algo que no esté claro o le preocupe.

- ♦ Nuestros productos cuentan con garantías que no pueden excluirse en virtud de la Ley Australiana del Consumidor. Tiene derecho a la sustitución o al reembolso en caso de avería grave y a una indemnización por cualquier otra pérdida o daño razonablemente previsible. Asimismo, tiene derecho a la reparación o sustitución de los artículos si la calidad de los mismos no es aceptable y el fallo no constituye una avería grave.
- ♦ Para el servicio en garantía, encontrará el Servicio Técnico Autorizado más cercano en nuestro mapa de localización de distribuidores en [www.echo-australia.com.au/en\\_au/finder](http://www.echo-australia.com.au/en_au/finder), o llamando al 1300 274 447, o enviando un correo electrónico o por correo postal a [salesenquires@briggsandstratton.com.au](mailto:salesenquires@briggsandstratton.com.au), Briggs & Stratton Australia Pty Ltd, Locked bag 5004, St Clair, NSW 2759.

# Para una utilización segura del producto

## Lea atentamente esta sección antes de utilizar el producto.




○ Las precauciones descritas en esta sección contienen información de seguridad importante. Cúmplalas cuidadosamente.

○ Asimismo, debe leer las precauciones que aparecen en el interior del propio manual.

El texto que aparece después de una marca [marca de diamante] describe las posibles consecuencias de no cumplir la precaución.


## Avisos de advertencia

Las situaciones en las que existe un riesgo de lesión física para el operador y para otras personas aparecen indicadas en este manual y en el propio producto mediante los siguientes avisos de peligro. Léalos y téngalos siempre en cuenta para garantizar un funcionamiento seguro.

 <b>PELIGRO</b>	 <b>ADVERTENCIA</b>	 <b>PRECAUCIÓN</b>
Este símbolo acompañado por la palabra " <b>PELIGRO</b> " llama la atención sobre una acción o sobre unas condiciones que causarán heridas personales importantes o incluso la muerte al operario y a los transeúntes.	Este símbolo acompañado por la palabra " <b>ADVERTENCIA</b> " llama la atención sobre una acción o sobre unas condiciones que pueden causar heridas personales importantes o incluso la muerte al operario y a los transeúntes.	" <b>PRECAUCIÓN</b> " indica una situación potencialmente peligrosa que, si no se evita, puede provocar heridas leves o moderadas.

## Otros indicadores

Además de los avisos de advertencia, en este manual se utilizan los siguientes símbolos explicativos:

	El círculo con barra oblicua prohíbe la acción o uso de los objetos mostrados.	<b>NOTA</b>	Este mensaje enmarcado proporciona consejos para el uso, cuidado y mantenimiento del producto.	<b>IMPORTANTE</b>	El texto enmarcado con la palabra " <b>IMPORTANTE</b> " contiene información importante relativa al uso, comprobación, mantenimiento y almacenamiento del producto descrito en este manual.
---	--	-------------	--	-------------------	---

## Símbolos

En este manual y en el propio producto se utilizan una serie de símbolos explicativos. Asegúrese de entender completamente lo que significa cada símbolo.

Forma/silueta del símbolo	Descripción/aplicación del símbolo	Forma/silueta del símbolo	Descripción/aplicación del símbolo
	Lea atentamente el manual de instrucciones		Extraiga el pack de baterías antes de realizar el mantenimiento y cuidados.
	¡Advertencia! ¡Objetos expulsados!		Mantener a los transeúntes alejados
	Mantener las manos y los pies alejados de las piezas giratorias.		Extremar la precaución en pendientes. no segar pendientes superiores a 15 grados.
	Seguridad/alerta		Precaución con las zonas a alta temperatura

# Para una utilización segura del producto

Forma/silueta del símbolo	Descripción/aplicación del símbolo	Forma/silueta del símbolo	Descripción/aplicación del símbolo
	Extraer la llave de seguridad antes de realizar el mantenimiento y cuidados.		Nivel de potencia acústica garantizado
	No utilizar si llueve o en lugares húmedos		Batería de litio ion
	Cuidado con el fuego		No tirar los aparatos eléctricos a la basura
	Protegido contra la caída vertical de gotas de agua		No mirar fijamente al haz de luz y utilizar protección ocular durante el mantenimiento



# Para una utilización segura del producto

## Manipulación del producto

### Advertencias generales de seguridad para herramientas eléctricas

#### **ADVERTENCIA**

Lea todas las advertencias de seguridad, instrucciones, ilustraciones y especificaciones suministradas con esta herramienta eléctrica.

Si no se respetan todas las instrucciones indicadas más abajo pueden producirse descargas eléctricas, fuego y/o lesiones graves.

**Guarde todas las advertencias e instrucciones para futuras consultas.**

El término "herramienta eléctrica" de las advertencias hace referencia a su herramienta eléctrica conectada a la red (con cable) o la accionada mediante batería (inalámbrica).

#### **Seguridad en el área de trabajo**

- **Mantenga el área de trabajo limpia y bien iluminada.** Las zonas desordenadas u oscuras invitan a que se produzcan accidentes.
- **No utilice herramientas eléctricas en atmósferas explosivas, como en las que se encuentran líquidos inflamables, gases o polvo.** Las herramientas eléctricas generan chispas que podrían encender el polvo o los gases.
- **Mantenga a los niños y a los transeúntes alejados mientras utiliza una herramienta eléctrica.** Las distracciones pueden causar que pierda el control.

#### **Seguridad eléctrica**

- **Los enchufes de las herramientas eléctricas deben coincidir con la toma de corriente. Nunca modifique los enchufes. No utilice adaptadores con herramientas eléctricas conectadas a masa (tierra).** El uso de enchufes sin modificar con tomas de alimentación correspondientes reducirá el riesgo de descargas eléctricas.
- **Evite el contacto del cuerpo con las superficies de objetos conectados a tierra, como las tuberías, radiadores, estufas y refrigeradores.** Existe un mayor riesgo de descargas eléctricas si su cuerpo se conecta a masa o a tierra.
- **No esponga las herramientas eléctricas a la lluvia ni a condiciones de humedad.** Si el agua entra en el interior de la herramienta eléctrica, aumentará el riesgo de que se produzcan descargas eléctricas.
- **No haga un mal uso del cable. Nunca utilice el cable para transportar, desenchufar o tirar de la herramienta eléctrica. Mantenga el cable alejado del calor, el aceite, los bordes afilados o las piezas móviles.** Si los cables están dañados o enredados, aumenta el riesgo de descargas eléctricas.
- **Cuando utilice una herramienta eléctrica en exteriores, utilice cables alargadores adecuados para su uso en exteriores.** El uso de cables adecuados para exteriores reduce el riesgo de descargas eléctricas.
- **Si la utilización de una herramienta eléctrica en un lugar húmedo es inevitable, utilice un suministro protegido con un interruptor de circuito de fallos de conexión a tierra (GFCI).** El uso de un GFCI reduce el riesgo de descargas eléctricas.

#### **Seguridad personal**

- **Cuando utilice una herramienta eléctrica, permanezca alerta, mire lo que está haciendo y aplique el sentido común. No utilice herramientas eléctricas cuando esté cansado o bajo la influencia de drogas, alcohol o medicamentos.** Un momento de distracción mientras se utiliza una herramienta eléctrica puede causar lesiones graves.
- **Utilice equipos de protección individual. Utilice siempre protección ocular.** El uso de equipos de protección para condiciones adecuadas como máscaras antipolvo, zapatos de seguridad con suela antideslizante, casco o protección para los oídos reducirá el riesgo de lesiones.
- **Evite el encendido involuntario. Asegúrese de que el interruptor está en la posición de apagado antes de conectar la herramienta a la toma de alimentación y/o al pack de baterías, de coger o de transportar la herramienta.** Transportar herramientas eléctricas con el dedo en el interruptor o conectar a la alimentación herramientas eléctricas con el interruptor encendido invita a accidentes.
- **Antes de poner la herramienta en funcionamiento quite cualquier llave de ajuste.** Dejar llaves montadas en una pieza giratoria de la herramienta eléctrica puede causar lesiones personales.
- **No intente llegar demasiado lejos. Mantenga un buen apoyo y un equilibrio correcto en todo momento.** Esto le proporciona un mejor control de la herramienta eléctrica en situaciones imprevistas.
- **Utilice la ropa adecuada. No utilice ropa suelta ni joyas. Mantenga su pelo y su ropa alejados de las piezas móviles.** Las prendas sueltas, las joyas o el cabello largo pueden quedar atrapados en las piezas móviles.
- **Si los dispositivos se suministran para la conexión de aparatos de extracción y recogida de polvo, asegúrese de conectarlos y utilizarlos adecuadamente.** El uso de aparatos de recogida de polvo puede reducir los riesgos asociados a éste.
- **No permita que la familiaridad adquirida por el uso frecuente de las herramientas le permita volverse complaciente e ignorar los principios de seguridad de las herramientas.** Una acción descuidada puede causar lesiones graves en una fracción de segundo.

# Para una utilización segura del producto

## **ADVERTENCIA**

### **Uso y cuidados de las herramientas eléctricas**

- **No fuerce la herramienta eléctrica. Utilice la herramienta eléctrica adecuada para su tarea.** Una herramienta eléctrica correcta realizará mejor el trabajo y de una forma más segura al régimen para el que fue diseñada.
- **No utilice la herramienta eléctrica si el interruptor no se enciende y apaga.** Toda herramienta eléctrica que no pueda controlarse con el interruptor es peligrosa y debe repararse.
- **Desconecte el enchufe de la toma de alimentación y/o retire el pack de baterías de la herramienta eléctrica, si es desmontable, antes de realizar ajustes, cambiar accesorios o de almacenarla.** Estas medidas preventivas de seguridad reducen el riesgo de que la herramienta eléctrica se ponga en funcionamiento accidentalmente.
- **Guarde las herramientas eléctricas lejos del alcance de los niños y no permita que las utilicen personas que no estén familiarizadas con ellas o con estas instrucciones.** Las herramientas eléctricas son peligrosas en manos de usuarios no cualificados.
- **Mantenga las herramientas eléctricas y sus accesorios. Compruebe el posible desajuste o agarrotamiento de las piezas móviles, la rotura de piezas o cualquier otra condición que pudiera afectar al funcionamiento de la herramienta eléctrica. Si está dañada, haga que la reparen antes de su uso.** El mantenimiento deficiente de las herramientas eléctricas es causa de muchos accidentes.
- **Mantenga las cuchillas de corte afiladas y limpias.** Las cuchillas de corte mantenidas adecuadamente con bordes de corte afilados tienen menos posibilidades de atascarse y son más fáciles de controlar.
- **Utilice la herramienta eléctrica, accesorios y brocas, etc. de acuerdo con estas instrucciones, teniendo en consideración las condiciones de trabajo y la tarea que debe realizarse.** El uso de la herramienta eléctrica para fines distintos a los que ha sido diseñada puede causar situaciones peligrosas.

### **Uso y cuidados de las herramientas con batería**

- **Realice la recarga únicamente con el cargador especificado por el fabricante.** Un cargador adecuado para un tipo de baterías puede crear riesgo de incendios cuando se usa con otro tipo de baterías.
- **Utilice las herramientas eléctricas sólo con packs de baterías específicamente designados.** El uso de cualquier otro pack de baterías puede suponer un riesgo de lesiones o fuego.
- **Cuando no utilice un pack de baterías, manténgalo alejado de otros objetos metálicos, como clips de papel, monedas, llaves, clavos, tornillos u otros objetos metálicos pequeños que podrían realizar una conexión entre sus terminales.** Cortocircuitar los terminales de la batería puede causar quemaduras o fuego.
- **En condiciones de uso abusivo, puede salir líquido de la batería; evite el contacto con él. Si se produce un contacto accidental, aclare con agua. Si el líquido entra en contacto con los ojos, busque asistencia médica.** El líquido de la batería puede causar irritación o quemaduras.
- **No utilice un pack de baterías o una herramienta que esté dañada o haya sido modificada.** Las baterías dañadas o modificadas pueden mostrar un comportamiento impredecible que provoque incendios, explosiones o que suponga un riesgo de lesiones.
- **No exponga el pack de baterías o la herramienta al fuego o a una temperatura excesiva.** La exposición al fuego o a temperaturas superiores a 130°C puede provocar una explosión.
- **Siga todas las instrucciones de carga y no cargue la batería ni la herramienta fuera del intervalo de temperatura especificado en las instrucciones.** Una carga inadecuada o a temperaturas fuera del rango especificado puede dañar la batería y aumentar el riesgo de incendio.

### **Asistencia**

- **Asegúrese de que el mantenimiento de su herramienta eléctrica lo utiliza un reparador cualificado utilizando únicamente repuestos idénticos.** Así se asegurará de mantener la seguridad de la herramienta eléctrica.
- **No realice nunca el mantenimiento de packs de baterías dañados.** El mantenimiento de los packs de baterías solo debe realizarlo el fabricante o un servicio técnico autorizado.

# Para una utilización segura del producto

## Advertencias de seguridad del cortacésped

### **ADVERTENCIA**

- **No utilice el cortacésped en condiciones meteorológicas adversas, especialmente cuando exista riesgo de rayos.** Esto disminuye el riesgo de ser alcanzado por un rayo.
- **Compruebe que no haya animales en la zona donde vaya a utilizar el cortacésped.** Durante el funcionamiento, el cortacésped puede causar daños a la fauna.
- **Compruebe minuciosamente la zona en la que se va a utilizar el cortacésped y retire todas las piedras, palos, alambres, huesos y otros objetos extraños.** Los objetos proyectados pueden causar lesiones a las personas.
- **Antes de utilizar el cortacésped, compruebe siempre visualmente que la cuchilla y el conjunto de cuchillas no estén desgastados ni dañados.** Las piezas desgastadas o dañadas aumentan el riesgo de lesiones.
- **Compruebe con frecuencia si el recogedor de hierba está desgastado o deteriorado.** Un recogedor de hierba desgastado o dañado puede aumentar el riesgo de lesiones personales.
- **Mantenga las protecciones en su sitio. Las protecciones deben estar en buen estado de funcionamiento y correctamente montadas.** Una protección suelta, dañada o que no funcione correctamente puede provocar lesiones personales.
- **Mantenga limpias todas las entradas de aire de refrigeración.** Las entradas de aire obstruidas y los residuos pueden provocar un sobrecalentamiento o riesgo de incendio.
- **Cuando utilice el cortacésped, lleve siempre calzado antideslizante y de protección. No utilice el cortacésped si está descalzo o lleva sandalias abiertas.** Esto reduce la posibilidad de sufrir lesiones en los pies por el contacto con la cuchilla en movimiento.
- **Cuando utilice el cortacésped, lleve siempre pantalones largos.** La piel expuesta aumenta la probabilidad de lesiones por objetos expulsados.
- **No utilice el cortacésped sobre hierba mojada. Camine, nunca corra.** Esto reduce el riesgo de resbalarse y caerse, lo que puede provocar lesiones personales.
- **No utilice el cortacésped en pendientes excesivamente pronunciadas.** Esto reduce el riesgo de perder el control, resbalarse y caerse, lo que puede provocar lesiones personales.
- **Cuando trabaje en pendientes, asegúrese siempre de pisar bien, trabaje siempre en sentido transversal, nunca hacia arriba o hacia abajo, y extreme las precauciones al cambiar de dirección.** Esto reduce el riesgo de perder el control, resbalarse y caerse, lo que puede provocar lesiones personales.
- **Extreme las precauciones al dar marcha atrás o tirar del cortacésped hacia usted. Esté siempre atento a su entorno.** Esto reduce el riesgo de tropezar durante el uso.
- **Mantenga el cable de alimentación alejado de las cuchillas de corte.** Un cable de alimentación dañado puede provocar una descarga eléctrica, un incendio y/o lesiones graves.
- **Desconecte y desenchufe el aparato de la red eléctrica si el cable está enredado o dañado.** Los cables enredados o dañados pueden aumentar el riesgo de descarga eléctrica.
- **No toque las cuchillas ni otras piezas móviles peligrosas mientras estén en movimiento.** Esto reduce el riesgo de lesiones causadas por piezas móviles.
- **Al retirar material atascado o limpiar el cortacésped, asegúrese de que todos los interruptores de alimentación estén apagados y de que la batería esté desconectada.** El accionamiento inesperado del cortacésped puede ocasionar lesiones personales graves.

# Para una utilización segura del producto

## Precauciones generales

### **ADVERTENCIA**

#### **Manual de instrucciones**

- Lea atentamente el manual de instrucciones antes de utilizar el producto a fin de asegurar un funcionamiento correcto.
- ◆ De lo contrario, podría producirse un accidente o una lesión grave.



#### **No utilice el producto para un uso distinto para el que está diseñado**

- No debe utilizar el producto para ningún propósito distinto de los descritos en el manual de instrucciones.
- ◆ De hacerlo, podría provocar un accidente o una lesión grave.

#### **No modifique el producto**

- No debe modificar el producto.
- ◆ De hacerlo, podría provocar un accidente o una lesión grave. Cualquier error resultante de una modificación del producto no estará cubierto por la garantía del fabricante.

#### **No utilice el producto a no ser que haya sido comprobado y se le haya realizado el mantenimiento**

- No debe utilizar el producto a no ser que haya sido comprobado y se le haya realizado el mantenimiento. Asegúrese siempre de comprobar el producto y de realizar regularmente el mantenimiento.
- ◆ De lo contrario, podría producirse un accidente o una lesión grave.
- No utilice nunca la máquina con protecciones o escudos defectuosos, o sin dispositivos de seguridad.
- ◆ De lo contrario, podría producirse un accidente o una lesión grave.

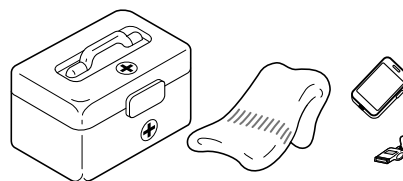
#### **Préstamo o asignación del producto**

- Cuando preste el producto a una tercera persona, asegúrese de que la persona que toma prestado el producto recibe también el manual de instrucciones.
- Si asigna el producto a una tercera persona, adjunte el manual de instrucciones con el producto cuando haga la entrega.
- ◆ De lo contrario, podría producirse un accidente o una lesión grave.

#### **Preparación en caso de sufrir una lesión**

En el improbable caso de sufrir un accidente o lesión, asegúrese de estar preparado.

- Kit de primeros auxilios
- Paños y toallas (para detener cualquier hemorragia)
- Silbato o teléfono móvil (para solicitar ayuda externa)
- ◆ Si no es capaz de realizar los primeros auxilios o de pedir ayuda externa, la lesión podría empeorar.



# Para una utilización segura del producto

## Precauciones de uso

### **ADVERTENCIA**

#### Usuarios del producto

El producto no podrá ser utilizado por:

- personas que estén cansadas
- personas que hayan consumido alcohol
- personas que estén tomando medicación
- mujeres embarazadas
- personas que estén en una mala condición física
- personas que no hayan leído el manual de instrucciones
- niños

◆ Si no sigue estas instrucciones podría provocar un accidente.

- Este producto genera campos electromagnéticos durante su funcionamiento. Los campos magnéticos pueden causar interferencias con los marcapasos o hacer que no funcionen correctamente. Para reducir los riesgos para la salud, recomendamos a los usuarios de marcapasos que consulten a su médico y al fabricante del marcapasos antes de utilizar este producto.



#### Condiciones de uso y de funcionamiento

##### ○ No utilice el producto

- ◆ en lugares mojados o húmedos.
- ◆ si llueve.
- ◆ en condiciones meteorológicas adversas.

◆ De hacerlo, podría provocar un accidente o una lesión grave.

- No utilice el producto en lugares donde no se asegure la estabilidad, por ejemplo, en cuevas empinadas o después de que haya llovido, ya que dichos lugares son resbaladizos y peligrosos.

- No siegue hacia arriba y hacia abajo en pendientes suaves, siegue con un movimiento nivelado y en contorno.

- No utilice este producto en zonas con escasa visibilidad.

◆ Si se cae o se resbala podría sufrir una lesión grave, o bien no lograr que el producto funcione correctamente.

#### El área dentro de un radio de 30 metros es una zona peligrosa

El área dentro de un radio de 30 metros del producto es una zona peligrosa. Tenga cuidado de cumplir estas precauciones cuando trabaje con el producto.

- No permita que niños, otras personas o mascotas entren en la zona de peligro.
- Si entra otra persona en la zona de peligro, apague el producto para detenerlo.
- Cuando se acerque al operario, hágale una señal, por ejemplo, arrojándole ramitas desde el exterior de la zona de peligro y, a continuación, compruebe que el producto se haya desconectado.
- Si hay más de una persona trabajando con el producto, identifique la forma en la que se avisarán y trabajen a una distancia mínima de 30 metros.

◆ Los objetos lanzados pueden causar lesiones graves al operario o a los transeúntes.

#### Uso del producto

Al utilizar el producto, preste especial atención al cumplimiento de las siguientes precauciones.

- No dirija el producto hacia personas o animales.
- No utilice el producto en lugares en los que no exista un punto de apoyo seguro para los pies.
- Sujete la empuñadura firmemente.
- Procure no utilizar el producto a altas horas de la noche o muy temprano por la mañana, puesto que el ruido molestará a los vecinos.

◆ Si no sigue estas instrucciones, podría provocar un accidente o lesión.

#### Apague el producto cuando realice un traslado

Si se encuentra en alguna de las situaciones descritas a continuación, apague el producto y desplácese.

- Traslado al lugar de trabajo.
- Traslado a otra zona mientras está trabajando.
- Abandono del lugar en el que ha estado trabajando.
- ◆ Si no cumple estas precauciones podría sufrir quemaduras o una lesión grave.
- Cuando transporte el producto en un vehículo, extraiga la batería y la llave de seguridad y asegúrelo firmemente en su lugar para evitar que se mueva.

#### Tenga cuidado de no tocar la cuchilla de corte mientras gira.

- Tenga cuidado de no tocar con la mano ni con el pie la cuchilla de corte mientras gira por debajo de la cubierta de protección.

◆ Resultando en una lesión grave.

#### Tenga cuidado de no situarse delante del producto.

- Tenga cuidado de no colisionar con el producto y de no quedar atrapado en las ruedas.

◆ Resultando en una lesión grave.

#### Las vibraciones y el frío

Se cree que puede contraerse una enfermedad llamada fenómeno de Raynaud, que afecta a los dedos de ciertos individuos, si se está expuesto a vibraciones y frío. La exposición a las vibraciones y al frío puede causar cosquilleo y quemazón en los dedos, seguido de pérdida de color y sensación de dedos dormidos.

Se recomienda tomar las siguientes precauciones, ya que se desconoce cuál es la exposición mínima que desencadena esta dolencia.

- Mantenga el cuerpo caliente, especialmente la cabeza y el cuello, los pies y los tobillos y las manos y las muñecas.
- Mantenga una buena circulación sanguínea realizando vigorosos ejercicios con los brazos durante frecuentes descansos y también no fumando.
- Limite el número de horas de trabajo. Intente también hacer cada día trabajos en los que no sea necesario usar el cortacésped u otros equipos motorizados de sujeción manual.
- Si experimenta molestias, rojez o hinchazón de los dedos, seguidos de una pérdida de sensación y emblanqueamiento de los mismos, consulte con su médico antes de volver a exponerse al frío y a las vibraciones.
- ◆ Si no tiene en cuenta estas instrucciones, podría perjudicar su salud.

# Para una utilización segura del producto

## **ADVERTENCIA**

### **Lesiones por esfuerzos repetitivos**

Se cree que un uso excesivo de los músculos y tendones de los dedos, manos, brazos y hombros puede causar dolores, hinchazones, adormecimiento, debilidad y dolores extremos en los mismos. Ciertas actividades repetitivas de las manos pueden suponer un alto riesgo para el usuario de desarrollo de lesiones debidas a esfuerzos repetitivos (RSI).

Para reducir el riesgo de lesiones por RSI:

- Evite colocar la muñeca en posición doblada, extendida o torcida.
- Tómese descansos periódicos para minimizar la repetición y deje descansar las manos. Reduzca la velocidad y fuerza con la que hace el movimiento repetitivo.
- Haga ejercicios que fortalezcan los músculos de las manos y de los brazos.
- Consulte a su médico si siente cosquilleos, adormecimiento o dolor en los dedos, manos, muñecas o brazos. Cuanto antes se diagnostiquen lesiones por RSI, más probabilidades tendrá de prevenir daños permanentes en los nervios y músculos.
- ◆ Si no tiene en cuenta estas instrucciones, podría perjudicar su salud.

### **Situaciones en las que debe desconectarse la batería**

- Siempre que el usuario deje de utilizar la máquina.
- Antes de limpiar un bloqueo.
- Antes de comprobar, limpiar o realizar alguna tarea en la máquina.
- Al inspeccionar si la máquina presenta daños tras golpear un objeto extraño.
- Si la máquina empieza a vibrar de forma anormal y desea realizar una comprobación inmediata.
- ◆ Podría producirse un accidente si el producto arranca de forma inesperada.

### **Apague inmediatamente el producto si algo no va como debiera**

- Apague inmediatamente el producto si el producto comienza a emitir sonidos extraños o a vibrar de forma anómala. El producto no puede utilizarse si presenta vibraciones o sonidos anormales. Póngase en contacto con su DISTRIBUIDOR DE ECHO para proceder a su reparación.
- ◆ El uso continuado de las piezas cuando estén dañadas puede provocar un accidente o una lesión grave.

### **Apague el producto cuando los compruebe o realice su mantenimiento**

Cuando compruebe o realice el mantenimiento del producto después del uso, tenga en cuenta las siguientes precauciones:

- Desconecte el producto, extraiga la batería y asegúrese de que todas las piezas móviles se hayan detenido por completo.
- ◆ Podría producirse un accidente si el producto arranca de forma inesperada.
- Deje que el producto se enfríe antes de realizar el mantenimiento.
- ◆ Podría quemarse.

# Para una utilización segura del producto

## Ropa de protección

### ADVERTENCIA

#### Póngase indumentaria de protección

○ Vista prendas de trabajo adecuadas e indumentaria de protección cuando trabaje con la herramienta. Sobre todo, no olvide utilizar gafas de seguridad y una máscara anti-polvo siempre que esté trabajando.

◆ Sin el equipamiento de protección, la suciedad o el polvo que arrastra el viento podrían penetrar en su cuerpo o golpearle, especialmente en los ojos, lo que podría provocar un accidente o una lesión.

a **Gafas de seguridad:** Protegen los ojos

b **Protección para la cabeza (casco):** Protege la cabeza

c **Guantes de seguridad:** Protegen las manos del frío y la vibración

d **Ropa apropiada para labores de corte (mangas y pantalones largos):** Protege el cuerpo

e **Zapatos o botas recias:** Protegen los pies

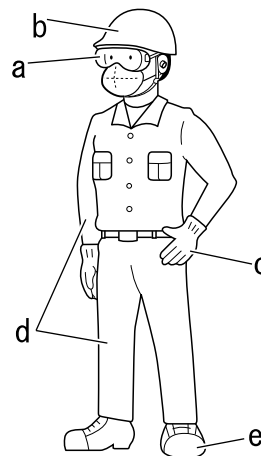
◆ Si no tiene en cuenta estas precauciones, podrían derivarse daños en la visión o en la audición o dar lugar a una lesión grave.

**En caso necesario, utilice la ropa de protección descrita a continuación.**

○ **Mascarilla para el polvo:** Protección respiratoria

○ **Orejas o tapones para los oídos:** Protección auditiva

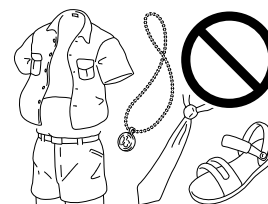
○ **Red para abejas:** Protección contra insectos



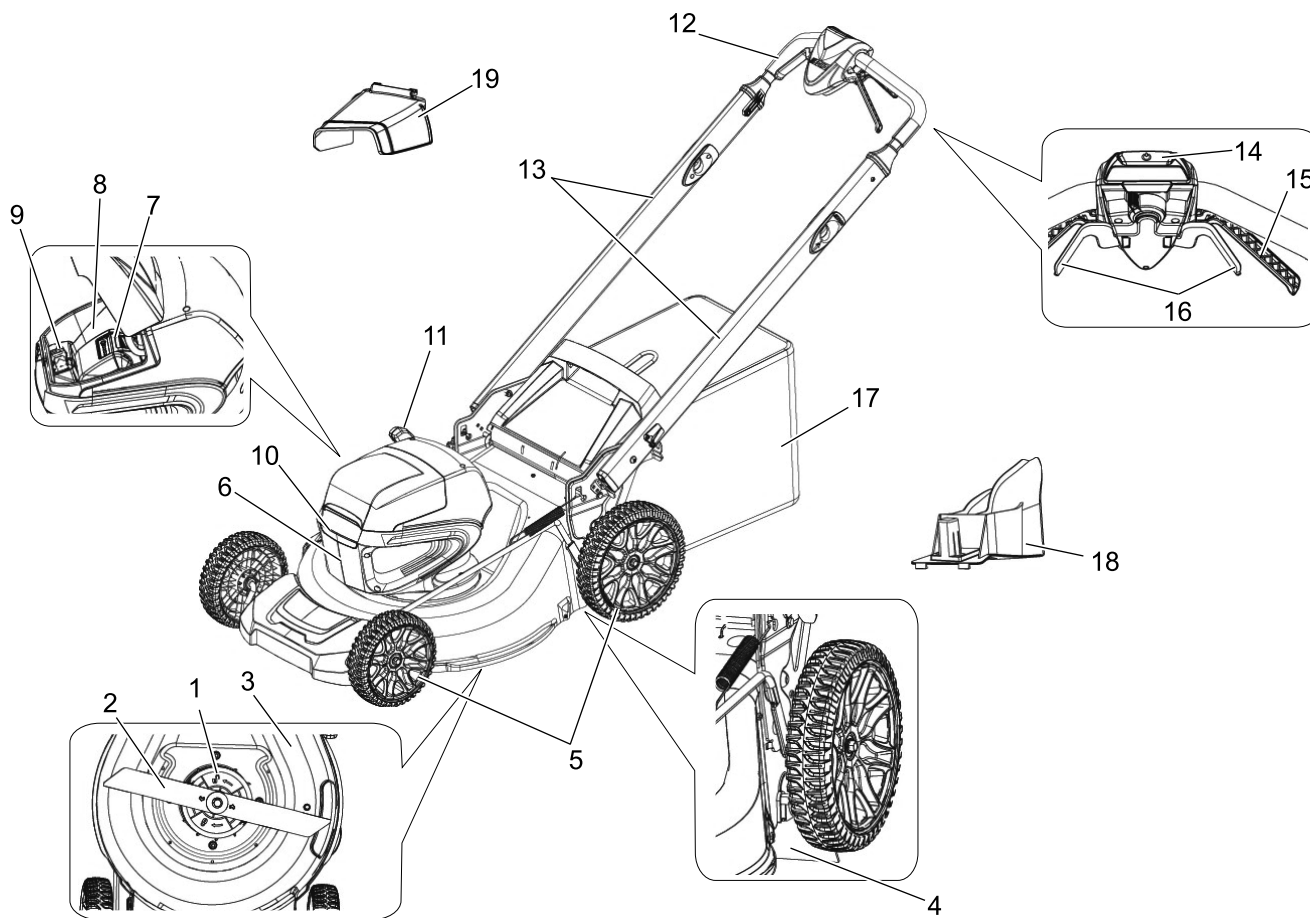
#### Utilice indumentaria adecuada

**No utilice corbatas, joyería ni ropa floja o colgante que pueda quedar atrapada en el producto. No utilice calzado con la puntera abierta ni vaya descalzo o sin perneras.**

◆ No seguir estas precauciones podría provocar accidentes o causar lesiones graves.



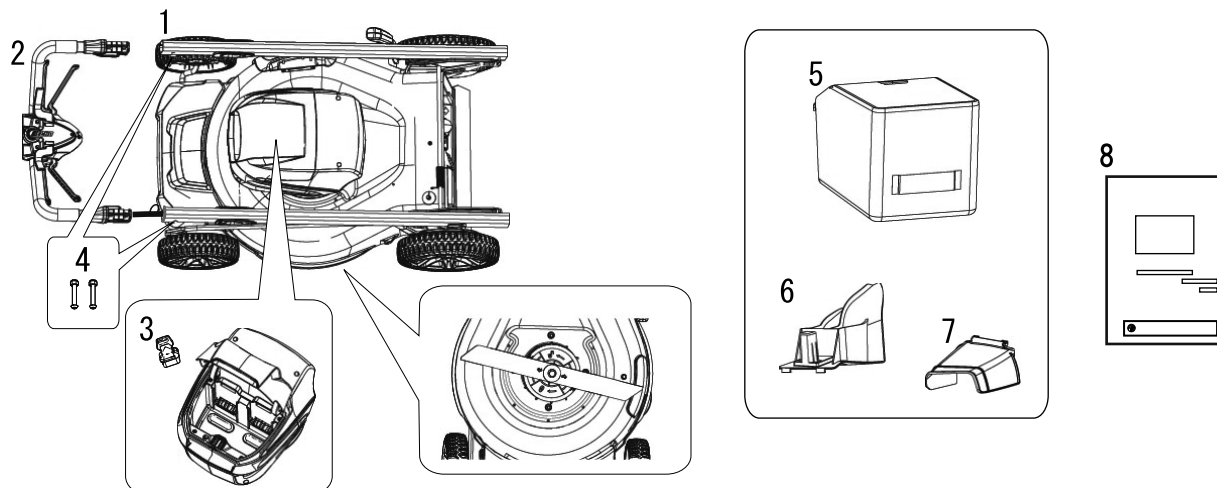
# Descripción



1. **Cabezal de salida** Fijado a un eje de salida de un motor y equipado con un ventilador para refrigerar la unidad.
2. **Cuchilla de corte** Cuchilla metálica fijada al cabezal de salida (1), para cortar hierba y maleza.
3. **Cubierta de protección** Pieza para proteger al usuario o a otras personas del contacto accidental con el cabezal de salida y los objetos despedidos.
4. **Protección trasera** Pieza para proteger al usuario de contactos accidentales con el cabezal de salida y objetos despedidos.
5. **Rueda** Pieza que permite que la unidad se mueva o se autopropulse.
6. **Carcasa de la batería** Pieza que suministra electricidad para hacer girar la cuchilla de corte y las ruedas.
7. **Pack de baterías** Baterías recargables.
8. **Compartimento de la batería** Espacio para las baterías.
9. **Llave de seguridad** Conexión o desconexión eléctrica entre la batería y la unidad.
10. **Faros LED** Vista nítida del entorno.
11. **Palanca de ajuste de la altura** Cambio de la altura de siega.
12. **Asidero superior** Controle la unidad utilizando el asidero, el botón y el interruptor.
13. **Asidero inferior** Conexión del asidero superior (10) a la cuchilla de corte (1) y a las ruedas (4).
14. **Botón de encendido** Con otros interruptores, activa la cuchilla de corte (2) y las ruedas (4).
15. **Interruptor de accionamiento** Activación de la cuchilla de corte (2).
16. **Interruptor de marcha** Activación de las ruedas (4).
17. **Recogedor de hierba** Recoge la hierba cuando se utiliza la función de ensacado trasero.
18. **Tapa de mulching** Bloquea el paso de la hierba hacia atrás cuando se utiliza la función de mulching y descarga lateral.
19. **Canal de descarga lateral** Realiza el paso hacia el lateral cuando se utiliza la función de descarga lateral.

## Lista de piezas

- ♦ En la caja de embalaje están empaquetadas de forma separada las siguientes piezas.
- ♦ Cuando haya desempaquetado la caja, compruebe que contenga las siguientes piezas.
- ♦ Póngase en contacto con su distribuidor si falta alguna o está rota.



- |  |                              |
|--|------------------------------|
| 1. Unidad de la carrocería y cuchilla de corte | 5. Recogedor de hierba       |
| 2. Asidero superior                            | 6. Tapa de mulching          |
| 3. Llave de seguridad                          | 7. Canal de descarga lateral |
| 4. Tuerca y perno                              | 8. Manual de instrucciones   |

## Carga de la batería

### **ADVERTENCIA**

- Utilice únicamente la batería designada y cárguela con el cargador designado. Consulte la sección "Características técnicas".
- Mantenga el cargador y la batería alejados de la humedad y de todos los líquidos.
- No utilice el cargador en superficies fácilmente inflamables (por ejemplo, papel, textiles) o en entornos con alto riesgo de incendio.
- No cubra el cargador. Si lo hace, impedirá que se enfríe.
- No utilice el cargador en atmósferas explosivas, como en las que se encuentran líquidos inflamables, gases o polvo. Los cargadores pueden generar chispas que podrían encender el polvo o los gases; existe riesgo de explosión.
- Conecte el cargador solo a la tensión y frecuencia especificadas en la placa de características.
- Conecte el cargador únicamente a una toma de pared de fácil acceso.
- No introduzca objetos en las ranuras de refrigeración del pack de baterías o del cargador (A).
- No cargue o use un pack de baterías y cargador defectuosos, dañados o deformados.
- No abra, dañe ni deje caer el pack de baterías o el cargador.
- Si se daña o no se utiliza correctamente, pueden producirse fugas de líquido de la batería; evite el contacto con la piel. Si se produce un contacto accidental, lave las áreas afectadas de la piel con agua abundante y jabón. Si el líquido entra en contacto con los ojos, no se frote. Lávese los ojos con agua abundante durante un mínimo de 15 minutos. Asimismo, solicite asistencia médica.
- No puentee (cortocircuite) los contactos del pack de baterías o los terminales del cargador con objetos metálicos.
- Proteja de la luz solar directa, el calor y las llamas abiertas. No arroje la batería al fuego; existe riesgo de explosión.
- Si observa humo o fuego en el cargador, desconéctelo de la red inmediatamente.
- Si el cable de conexión está dañado, desenchúfelo inmediatamente de la toma de alimentación para evitar el riesgo de descargas eléctricas.
- No exponga el pack de baterías a microondas o altas presiones.
- Asegúrese de que la unidad no se encienda de forma accidental. Retire el pack de baterías antes de transportar o guardar la unidad. No utilice recipientes metálicos para el transporte de baterías.
- No utilice el cable de conexión para ningún otro fin, por ejemplo, para transportar o colgar el cargador.
- Para reducir el riesgo de tropiezos, coloque y marque el cable de conexión de forma que otras personas no puedan dañarlo ni correr peligro con él.
- Para desconectar, tire del enchufe, no del cable.

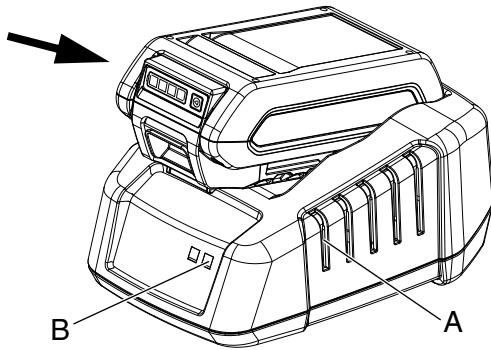
# Antes de comenzar

## NOTA

- La batería se suministra de fábrica parcialmente cargada y debe cargarse completamente antes de su primer uso.
- Cargue la batería cuando deje de producir energía suficiente para accionar la unidad o cuando las luces de la batería indiquen que su carga es baja.

## IMPORTANTE

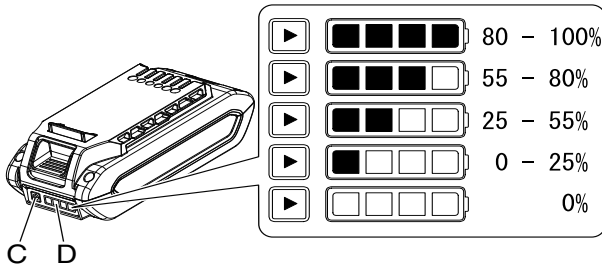
- Utilice el cargador de baterías a temperaturas comprendidas entre 5°C (41°F) y 40°C (104°F).



1. Enchufe el cable de CA del cargador en la toma de pared.
2. Alinee los canales de la batería con las muescas del cargador y deslice la batería dentro de este.
3. Durante la carga normal, el LED (B) del cargador parpadea continuamente en VERDE.

## IMPORTANTE

- Si el cargador detecta un problema, el LED parpadea de color ROJO. Extraiga la batería del cargador, limpie las obstrucciones de los contactos y vuelva a colocar la batería en el cargador. Si la temperatura de la batería está fuera de los límites aceptables (de 0 °C a 60 °C), el LED permanece de color ROJO.



4. Cuando la carga se completa, el LED permanece de color VERDE.
5. Verifique que la batería esté totalmente cargada antes de extraerla del cargador pulsando el botón de estado de carga de la batería (C) y comprobando la pantalla LED (D).
6. Desconecte el cargador de la batería de la toma de corriente.

## Montaje

### **⚠ ADVERTENCIA**

○ Lea atentamente el manual de instrucciones para asegurarse de que monta correctamente el producto.

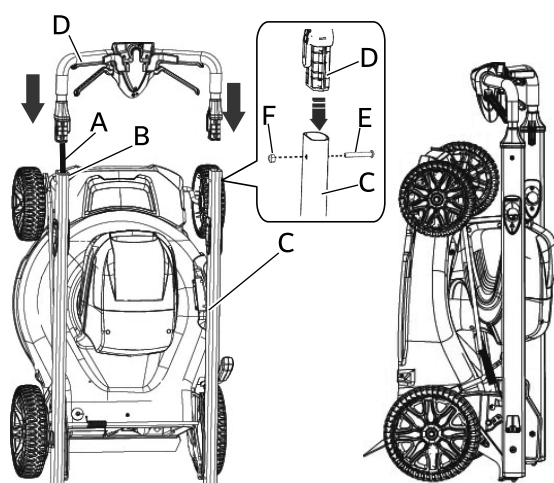
La utilización de un producto que se haya montado incorrectamente puede ocasionar un accidente o una lesión grave.



## Conjunto del asidero superior

### **IMPORTANTE**

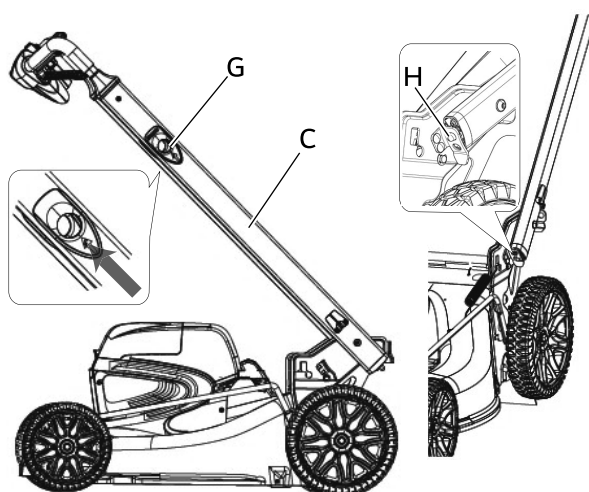
○ No dañe el cable al instalar el asidero superior.



1. Coloque la unidad en posición vertical.
2. Retire el material de embalaje del cable (A).
3. Retire la protección de goma del borde (B) del asidero inferior (C).
4. Introduzca el asidero superior (D) en el asidero inferior (C).
5. Pase los pernos (E) por los orificios y apriételos con las tuercas (F), utilizando un destornillador (no incluido).

### **IMPORTANTE**

○ Asegúrese de que los dos pasadores del asidero estén en la misma posición al desplegar el asidero inferior.



6. Coloque la unidad en posición horizontal.
7. Tire hacia arriba de los orificios del asidero (G) para soltar el asidero inferior (C).
8. Despliegue el asidero inferior (C) hacia arriba hasta que los pasadores del asidero (H) encajen en posiciones fijas.

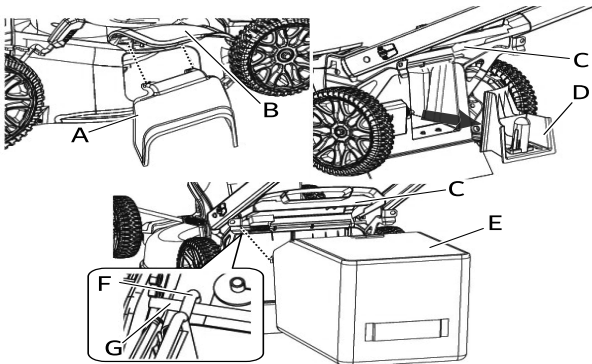
# Antes de comenzar

## Conjunto de tres funciones

### IMPORTANTE

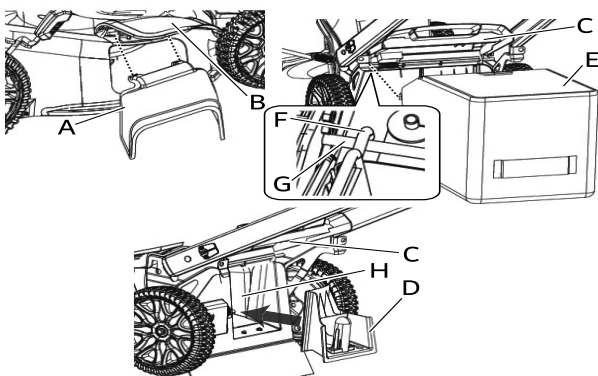
○ En general, un cortacésped tiene tres funciones (ensacado trasero, mulching y descarga lateral). Estas funciones pueden cambiarse modificando la configuración de los accesorios.

#### Ensacado trasero



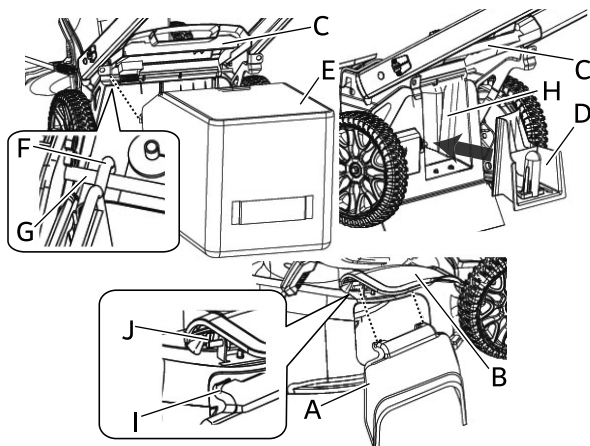
1. Retire el pack de baterías y la llave de seguridad.
2. Retire el canal de descarga lateral (A).
3. Abra la puerta de descarga lateral (B).
4. Abra la puerta de descarga trasera (C) y retire la tapa de mulching (D).
5. Abra la puerta de descarga trasera (C) y enganche los ganchos (F) en la varilla de la puerta (G) para instalar el recogedor de hierba.
6. Baje la puerta de descarga trasera (C).

#### Mulching



1. Retire el pack de baterías y la llave de seguridad.
2. Retire el canal de descarga lateral (A).
3. Abra la puerta de descarga lateral (B).
4. Desenganche los ganchos (F) de la varilla de la puerta (G) y retire el recogedor de hierba (E).
5. Abra la puerta de descarga trasera (C) y fíjela en el canal de descarga trasera (H) para instalar la tapa de mulching (D).
6. Baje la puerta de descarga trasera (C).

#### Descarga lateral



### ⚠ ADVERTENCIA

- Cuando utilice el canal de descarga lateral,
- ♦ no instale el recogedor de hierba.
  - ♦ Mantenga instalada la tapa de mulching.

1. Retire el pack de baterías y la llave de seguridad.
2. Desenganche los ganchos (F) de la varilla de la puerta (G) y retire el recogedor de hierba (E).
3. Instale la tapa de mulching (D) y fíjela en el canal de descarga trasera (H).
4. Cierre la puerta de descarga trasera (C).
5. Abra la puerta de descarga lateral (B) y alinee los rebajes (I) del canal de descarga lateral (A) debajo del pivote (J).
6. Baje la puerta de descarga lateral (B).

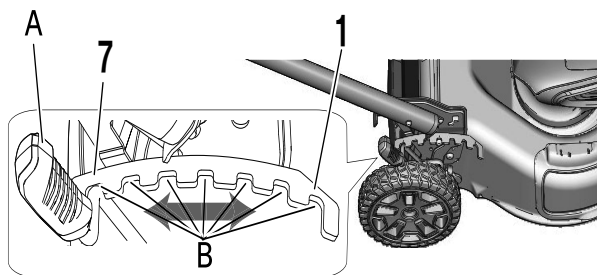
#### Ajuste de la altura de corte

### ⚠ ADVERTENCIA

○ No intente nunca realizar el ajuste de la altura de corte con la cuchilla de corte o la rueda en marcha.

## NOTA

- La unidad puede ajustarse a diferentes alturas de corte para adaptarse al trabajo.



1. Coloque la palanca de ajuste de altura (A) en uno de los rebajes (B) para modificar la altura de corte, hacia atrás para aumentar (7←) o hacia delante para disminuir (→1).

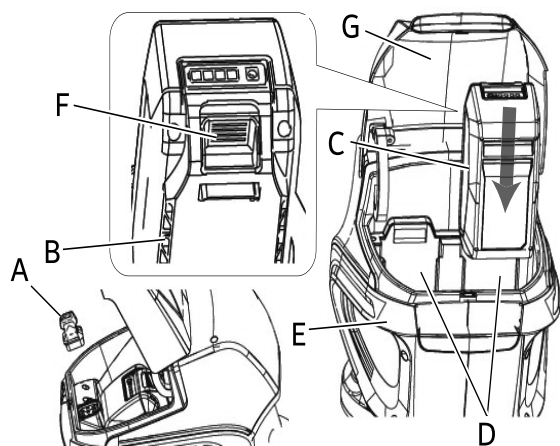
## Coloque y retirada de la batería

### ⚠ ADVERTENCIA

- La unidad funcionará cuando la batería esté colocada y el botón de encendido, y el interruptor de accionamiento o de marcha. Asegúrese de que la unidad está colocada correctamente para impedir la pérdida de control y posibles lesiones graves. Mantenga la unidad alejada de objetos que puedan enredarse, lanzarse o chocar.
- No apriete el Interruptor de accionamiento ni el de marcha cuando coloque la batería.
- No coloque las manos ni los pies cerca de las piezas giratorias ni debajo de la cubierta protectora.
- Extraiga la batería cuando deje la unidad.

## NOTA

- La unidad dispone de una función de conmutación automática para dos baterías que permite que funcione otra batería cuando la primera no puede hacerlo.
- El pack de baterías se suministra de fábrica parcialmente cargado y debe cargarse completamente antes de su primer uso.
  - Consulte el manual de instrucciones suministrado con el pack de baterías.



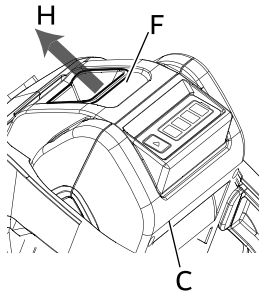
- A. Llave de seguridad
- B. Canal
- C. Pack de baterías
- D. Ranura

- E. Carcasa de la batería
- F. Pestillo del pack de baterías
- G. Tapa de la batería

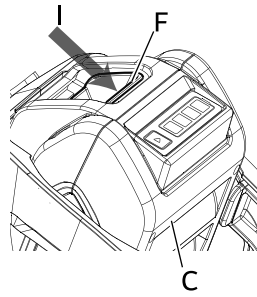
### Colocación de la batería

1. Suelte los interruptores de accionamiento y marcha.
2. Asegúrese de que la cuchilla y las ruedas se detienen.
3. Abra la tapa de la batería (G) y retire la llave de seguridad (A).
4. Alinee los canales (B) de la batería (C) con las ranuras (D) de la carcasa de la batería (E), e inserte la batería hasta que el pestillo del pack de baterías (F) se coloque en la posición correcta.
5. Introduzca la llave de seguridad (A)
6. Cierre la tapa de la batería (G).

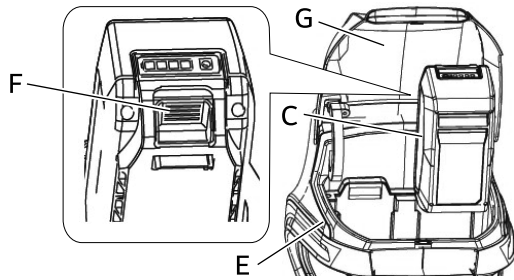
# Antes de comenzar



H. Posición completa  
I. Posición incompleta



F. Pestillo del pack de baterías  
C. Pack de baterías



G. Tapa de la batería  
F. Pestillo del pack de baterías

E. Carcasa de la batería

## IMPORTANTE

- Antes de utilizar la unidad, asegúrese de que la batería está colocada correctamente con el pestillo del pack de baterías en su posición.

## NOTA

- ♦ El pestillo del pack de baterías (F) está en su posición cuando está correctamente enganchado.

### Extracción de la batería

1. Asegúrese de que la cuchilla y las ruedas se detienen.
2. Abra la tapa de la batería (G).
3. Retire la llave de seguridad.
4. Para retirar la batería, presione el pestillo del pack de baterías (F) y deslice la batería para extraerla de la carcasa (E).
5. Cierre la tapa de la batería (G).

## PELIGRO

- Todos los conductores eléctricos y cables de comunicaciones aéreos tienen alimentación eléctrica de alta tensión. Esta unidad no está aislada contra corrientes eléctricas. No toque los cables directa ni indirectamente; de lo contrario, podría sufrir lesiones graves o mortales.

## ADVERTENCIA

- No utilice la unidad en atmósferas explosivas, como en las que se encuentran líquidos inflamables, gases o polvo. La unidad genera chispas que podrían encender el polvo o los gases.

Tenga especial cuidado de seguir las siguientes precauciones cuando arranque la unidad:

- Compruebe que ninguna tuerca ni perno estén flojos.
- La llave de vaso u otra herramienta de bloqueo acoplada no se ha quedado enganchada a una pieza giratoria de la unidad.
- Deje suficiente espacio alrededor de la unidad y no deje que se acerquen personas o animales. Si no tiene en cuenta estas precauciones podría sufrir un accidente o lesión o incluso dar lugar a un accidente mortal.
- Compruebe que no haya vibraciones ni sonidos anómalos una vez arrancada la unidad. No utilice la unidad si hay vibraciones o sonidos anómalos. Póngase en contacto con su distribuidor para que lo repare. Los accidentes que causen la caída o rotura de las piezas pueden provocar heridas o lesiones graves.

- Para transportar la unidad, apáguela y retire la batería.

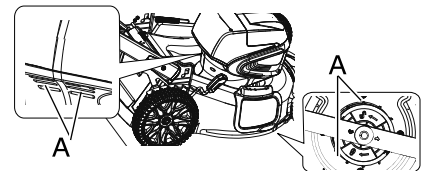
- No toque la transmisión en ángulo ni el resto de componentes que están a alta temperatura mientras la unidad está funcionando o cierto tiempo después de detenerse. Podría quemarse si toca un componente a temperatura elevada.



- Nunca accione la unidad en situaciones en las que su cuerpo la sobrepase. Mantenga siempre el equilibrio, esté siempre atento a los puntos de apoyo y a las pendientes, nunca corra.
- Nunca haga funcionar la unidad con las protecciones defectuosas, sin la llave de seguridad o si el cable está dañado o desgastado.

## IMPORTANTE

- Mantenga las ranuras de ventilación (A) siempre limpias.



## Encendido de la unidad

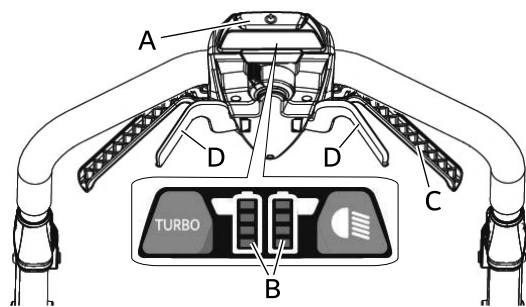
## ADVERTENCIA

- Después de instalar la batería, y cuando se activen el botón de encendido, y el interruptor de accionamiento o el interruptor de marcha, la cuchilla de corte y las ruedas girarán. Asegúrese de que la unidad está colocada correctamente para impedir la pérdida de control y posibles lesiones graves.

## IMPORTANTE

- Utilice la unidad y la batería a temperaturas comprendidas entre 0°C (32°F) y 40°C (104°F).
- Antes de instalar el pack de baterías y la llave de seguridad, examine la cubierta de protección para asegurarse de que no queda hierba enganchada en la cuchilla y de que ésta puede girar libremente y en horizontal a mano utilizando un guante de alta resistencia.

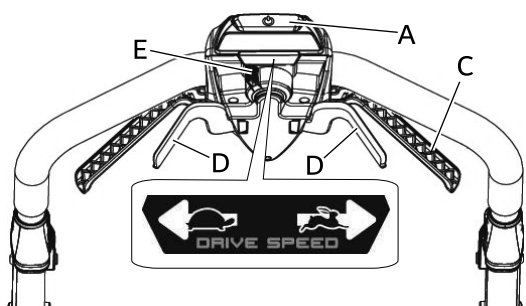
# Funcionamiento



1. Asegúrese de que la llave de seguridad está insertada en la ranura del compartimento de la batería.
2. Pulse el botón de encendido (A), pulse el interruptor de accionamiento (C) o el interruptor de marcha.
  - \* El LED indicador de encendido (B) se ilumina, junto con la cantidad cargada. Compruebe la cantidad cargada.
3. Suelte el botón de encendido (A), interruptor de accionamiento (C) o el interruptor de marcha (D). Transcurrido un tiempo, el LED indicador de encendido (B) se apaga automáticamente.
4. Mantenga pulsado el botón de encendido (A) y pulse el interruptor de accionamiento (C). La cuchilla de corte empieza a girar a la velocidad de funcionamiento.
5. Suelte el botón de encendido (A). La cuchilla de corte continúa girando a la velocidad de funcionamiento.
  - \* Al soltar el interruptor de accionamiento (C), la cuchilla de corte se apaga.

## Modo de empuje.

- (1) Si empuja la unidad, puede moverse.



## Modo de autopropulsión.

- (1) Ajuste la velocidad de accionamiento con el mando de velocidad de avance (E).
  - \* En la dirección del Símbolo del Conejo para aumentar, y en la dirección del Símbolo de la Tortuga para disminuir la velocidad de desplazamiento.
- (2) Pulse el interruptor de marcha (D). Las ruedas comienzan a girar para hacer avanzar la unidad. Aumenta hasta la velocidad establecida.
  - \* Si se suelta el interruptor de marcha (D), las ruedas se paran. La unidad se detiene.
  - \* Después de soltar el interruptor de accionamiento (C), manteniendo pulsado el botón de encendido (A) y presionando el interruptor de marcha (D), las ruedas empiezan a girar.
  - \* Cuando la unidad avanza, la velocidad de avance puede regularse con el mando de velocidad de avance (E).

## IMPORTANTE

- Nunca tire de la unidad hacia usted mientras esté en el modo de autopropulsión. Si tiene que alejar el cortacésped de una pared u obstáculo, primero mire hacia abajo y detrás de usted para evitar tropezar, y luego siga estos pasos:
  - (1) Suelte los interruptores de accionamiento y marcha.
  - (2) Aléjese del cortacésped para extender completamente los brazos.
  - (3) Asegúrese de que está bien equilibrado.
  - (4) Tire de la unidad lentamente.
- \* Antes y mientras se desplaza hacia atrás con la unidad, mire hacia atrás y hacia abajo por si hay niños pequeños u otras personas.
- Si la unidad golpea un objeto extraño, siga estos pasos:
  - (1) Suelte los interruptores de accionamiento y marcha.
  - (2) Retire la llave de seguridad y las baterías.
  - (3) Inspeccione los daños.
  - (4) Repare cualquier pieza dañada antes de volver a poner en marcha y utilizar la unidad.

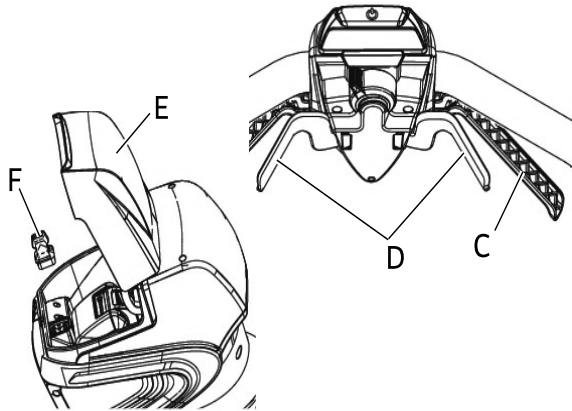


## Detención de la unidad

## ⚠ ADVERTENCIA

- La cuchilla de corte y las ruedas siguen girando durante un breve periodo de tiempo después de apagar la unidad.
- Si la cuchilla o las ruedas no se detienen al soltar el interruptor de accionamiento y el interruptor de marcha, abra la tapa de la batería, saque la llave de seguridad y extraiga la batería, para detener el suministro de energía a la unidad. Haga que su distribuidor autorizado la repare antes de volver a utilizar la unidad.

# Funcionamiento

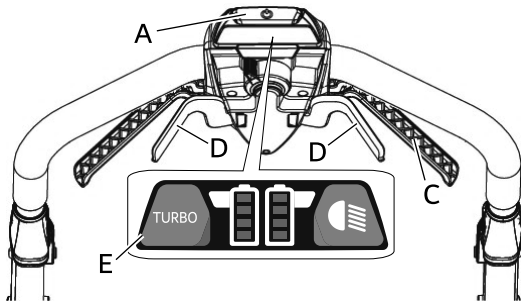


1. Suelte el interruptor de accionamiento (C) y el interruptor de marcha (D), permitiendo que la cuchilla de corte y las ruedas se apaguen, para detenerlas.
  - \* Si se mantiene pulsado el interruptor de accionamiento (C) y se suelta el interruptor de marcha (D), la cuchilla de corte sigue girando. A continuación, si se pulsa el interruptor de marcha (D), las ruedas comienzan a girar para que la unidad vuelva a avanzar.
  - \* Si se mantiene pulsado el interruptor de marcha (D) y se suelta el interruptor de accionamiento (C), las ruedas siguen girando para que la unidad avance y, a continuación, si se pulsa el interruptor de accionamiento (C), la cuchilla de corte vuelve a girar.
  - \* Al final del trabajo, abra la tapa de la batería (E) y retire la llave de seguridad (F) y la batería.

## Modo turbo de la cuchilla de corte

### NOTA

La cuchilla de corte puede acelerarse en el modo turbo de la cuchilla.

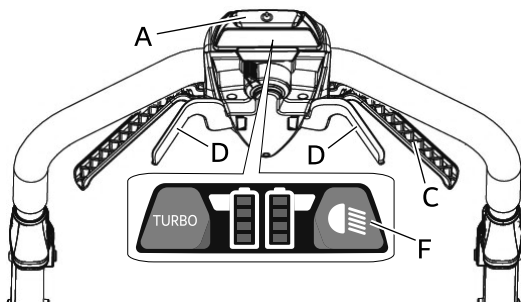


1. Al accionar el botón de encendido (A), el interruptor de accionamiento (C) o el interruptor de marcha (D), pulse el botón turbo (E). El modo turbo de la cuchilla se activa y el botón turbo (E) se ilumina.
  - \* Mientras la cuchilla de corte y las ruedas también están encendidas, se puede activar el modo turbo.
  - \* Después de encender una vez la cuchilla o las ruedas, sólo con pulsar el botón turbo (E) se puede ajustar el modo turbo de la cuchilla.
2. Pulse de nuevo el botón turbo (E). El modo turbo se restablece. La luz se apaga.

## Modo de faro

### ⚠ ADVERTENCIA

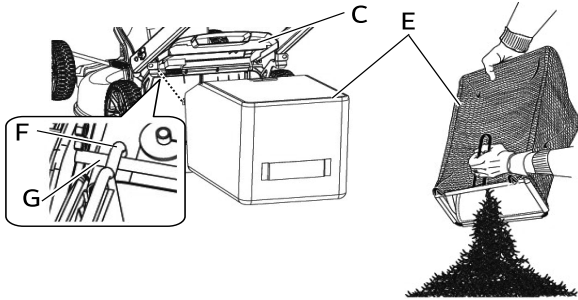
○ La unidad dispone de un faro LED. No mire fijamente al haz de luz y utilice protección ocular durante el mantenimiento.



1. Al accionar el botón de encendido (A), el interruptor de accionamiento (B) o el interruptor de marcha (D), pulse el botón de la luz LED (F). Se activa el modo de faro. Cuando se enciende la cuchilla o la rueda, los faros LED comienzan a iluminarse.
  - \* También se puede ajustar el modo de los faros cuando la unidad está en funcionamiento.
  - \* Después de encender una vez la cuchilla o las ruedas, sólo tiene que pulsar el botón de la luz LED (F) para ajustar el modo de los faros.
2. Pulse de nuevo el botón de la luz LED (F) para restablecer el modo de los faros.
3. Sólo tiene que pulsar de nuevo el botón de luz LED (F) para fijar el modo de los faros.

# Funcionamiento

## Vacíe el recogedor de hierba

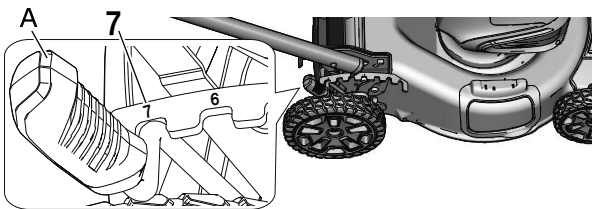


1. Retire la llave de seguridad y los packs de baterías.
2. Abra la puerta de descarga trasera (C) y desenganche los ganchos (F) de la varilla de la puerta (G) para extraer el recogedor de hierba (E).
3. Cierre la puerta de descarga trasera (C).
4. Vacíe el recogedor de hierba (E).

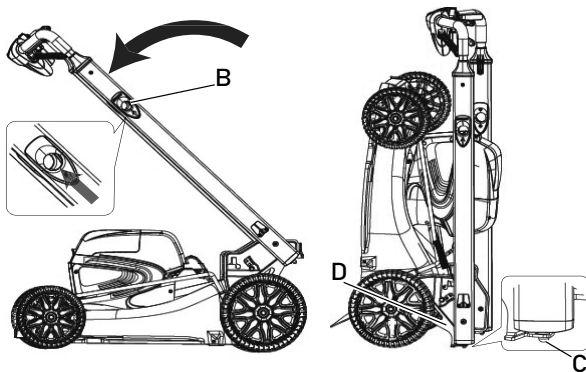
## Almacenamiento en vertical

### IMPORTANTE

- La unidad puede almacenarse en vertical.
- Cuando lo haga, colóquela sobre una superficie plana para evitar que vuelque.
- No guarde su unidad sin haber realizado el mantenimiento de protección para almacenamiento.



1. Retire la llave de seguridad y el pack de baterías.
2. Retire el recogedor de hierba.
3. Coloque la palanca de ajuste de la altura (A) en la posición 7.



4. Tire a través de los orificios del asidero (B) para liberarlo.
5. Pliegue los asideros hasta que los pasadores del asidero (C) se bloqueen en su posición fija.
6. Coloque la unidad sobre su extremo y asegúrese de que los soportes (D) tocan el suelo.

## Indicación de error

### IMPORTANTE

- El número de tonos puede informar de las soluciones a los problemas.

# Funcionamiento

Número de tonos	Síntoma	Solución
1	La unidad no se enciende.	Póngase en contacto con el distribuidor autorizado.
2	La unidad deja de funcionar.	Permita que la unidad se enfríe. Si el problema persiste, póngase en contacto con el distribuidor autorizado.
3	La unidad no se enciende.	Compruebe si el pack de baterías y los terminales presentan corrosión o residuos. Si el problema persiste, póngase en contacto con el distribuidor autorizado.
4	La unidad se enciende y luego se apaga, o no se enciende.	Ponga en marcha la unidad, al principio sin realizar un corte completo, y a continuación proceda a cortar normalmente. Si el problema persiste, póngase en contacto con el distribuidor autorizado.
5	La unidad no se enciende.	Cargue completamente el pack de baterías y vuelva a intentarlo. Si el problema persiste, póngase en contacto con el distribuidor autorizado.
6	La unidad deja de funcionar	Permita que la batería se enfríe. Si el problema persiste, póngase en contacto con el distribuidor autorizado.
7	La unidad se enciende y luego se apaga, o no se enciende.	Sítue la unidad en un terreno llano e inténtelo de nuevo. Si el problema persiste, póngase en contacto con el distribuidor autorizado.
8	La cuchilla no gira.	Retire las baterías y la llave de seguridad, elimine la obstrucción, inténtelo de nuevo.
9	La unidad no alcanza la velocidad máxima.	Ponga en marcha la unidad, al principio sin realizar un corte completo, y a continuación proceda a cortar normalmente. Si el problema persiste, póngase en contacto con el distribuidor autorizado.

- ♦ Consulte con su distribuidor si se encuentra con un problema que no esté cubierto en la tabla anterior o para cualquier otra consulta.
- ♦ Para desechar el producto o sus piezas de acuerdo con las normativas locales, póngase en contacto con su distribuidor.

# Funcionamiento del recorte de bordes

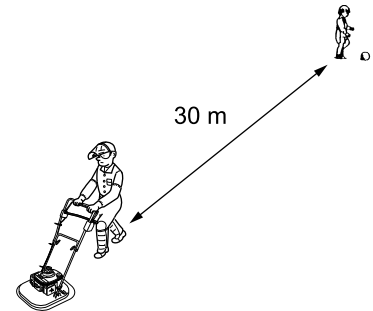
## PELIGRO

- **Detenga siempre la unidad y retire la llave de seguridad y la batería cuando se produzca un atasco de la cuchilla de corte y las ruedas.**

Pueden producirse lesiones graves si se elimina un atasco y la cuchilla y las ruedas se ponen en funcionamiento de forma repentina.

- **El área dentro de un radio de 30 metros de la unidad es una zona peligrosa. Tenga cuidado de cumplir estas precauciones cuando trabaje con la unidad.**

- ◆ No permita que niños, otras personas o mascotas entren en la zona de peligro.
- ◆ Si entra otra persona en la zona de peligro, apague la cuchilla y las ruedas para detenerlas.
- ◆ Cuando se acerque al operario, hágale una señal, por ejemplo, arrojándole ramitas desde el exterior de la zona de peligro y, a continuación, compruebe que la cuchilla y las ruedas se hayan desconectado y hayan dejado de girar.
- ◆ Si hay más de una persona trabajando con la unidad, identifique la forma en la que se avisarán y trabajen a una distancia mínima de 30 metros.

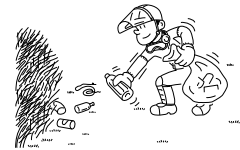


Cualquier objeto que rebote de la unidad, incluidas la cuchilla de corte y las ruedas, y cualquier contacto con la unidad, incluidos ellos, podría causar ceguera o un accidente mortal.

## ADVERTENCIA

- **Antes de empezar a trabajar, compruebe la zona en la que va a trabajar y retire cualquier piedra pequeña y latas vacías que puedan rebotar en la unidad, incluidas la cuchilla y las ruedas, así como cualquier trozo de cuerda o alambre que pueda enroscarse alrededor de la unidad, incluidas dichas piezas, y planifique su patrón de siega para evitar la descarga de material hacia carreteras, aceras, transeúntes y similares.**

Puede producirse un accidente o lesión grave si sustancias extrañas rebotan en la unidad o si salta un cable u otro material enrollado alrededor de la misma.



- **En las siguientes situaciones, apague la unidad inmediatamente, asegúrese de que la cuchilla de corte y las ruedas se han detenido, y retire la llave de seguridad y las baterías, antes de comprobar cada componente de la unidad. Sustituya cualquier pieza dañada.**

- ◆ Si la unidad, incluida la cuchilla de corte, golpea una roca, un árbol, un poste u otro obstáculo similar esté trabajando.
- ◆ Si la unidad comienza a vibrar anormalmente de forma repentina.

El uso continuado de las piezas cuando estén dañadas puede provocar un accidente o una lesión grave.

- **No haga funcionar la unidad en pendientes pronunciadas con una inclinación superior a 15 grados.**

Las pendientes son un factor importante relacionado con los accidentes por resbalones y caídas, que pueden provocar lesiones graves. El trabajo en pendientes requiere especial precaución. Si se siente incómodo en una pendiente, no la siegue.

### **Transporte de la unidad**

- **Cuando realice el transporte en las situaciones descritas a continuación, apague la cuchilla de corte y asegúrese de que la cuchilla ha dejado de girar.**

- ◆ Traslado al lugar de trabajo.
- ◆ Traslado a otra zona mientras está trabajando.
- ◆ Abandono del lugar en el que ha estado trabajando.

- **Cuando transporte la unidad en coche, extraiga el pack de baterías y asegure firmemente la unidad en su lugar para evitar que se mueva.**

Si no cumple estas precauciones podría sufrir quemaduras o una lesión grave.

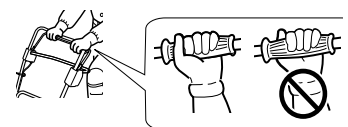
- **No se extralimite, mantenga el apoyo y el equilibrio correctos en todo momento.**

- **Si siente que pierde el equilibrio, suelte la empuñadura de control inmediatamente y la cuchilla y las ruedas dejarán de girar en tres segundos.**

- **Asegúrese de enganchar los pulgares alrededor de las empuñaduras, envolviéndolas con el pulgar y los demás dedos.**

- **Mantenga los asideros y la superficie de agarre secos, limpios y libres de aceite y grasa.**

Si los asideros y la superficie de agarre están resbaladizos no podrá manejar ni controlar la unidad en situaciones imprevistas.



# Funcionamiento del recorte de bordes

## Funcionamiento básico del recorte de bordes con la cuchilla metálica

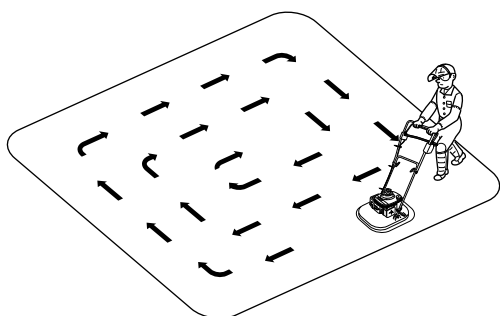
### **⚠ ADVERTENCIA**

- Cuando siegue, tenga en cuenta las siguientes instrucciones.
  - ◆ Compruebe que la cuchilla de corte y las ruedas estén bien apretadas en su sitio.
  - ◆ Sustituya el protector, el recogedor de hierba, la tapa de mulching y el canal de descarga lateral, si están dañados o agrietados.
  - ◆ Sustituya la cuchilla de corte y las tuercas de las ruedas cuando se desgasten.
  - ◆ No toque el terreno con la cuchilla.
  - ◆ No haga funcionar el equipo con una cuchilla roma, doblada, fracturada u oxidada, o con la tuerca o las ruedas desgastadas o dañadas.



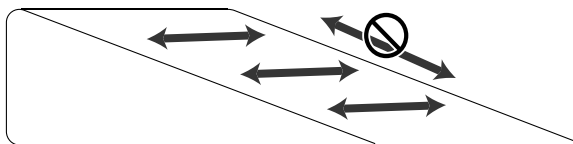
De lo contrario, podría producirse un accidente o una lesión grave.

- Use solo cuchilla de corte y ruedas recomendadas por YAMABIKO Corporation. YAMABIKO Corporation no se hará responsable de los fallos del dispositivo de corte, los accesorios o accesorio de corte que no hayan sido probados y homologados por YAMABIKO Corporation para su uso con esta unidad.
- El tipo de cuchilla usada debe coincidir con el tipo y tamaño del corte de material. Una cuchilla inadecuada o desafilada puede causar heridas personales importantes. Las cuchillas deben estar bien afiladas. Las cuchillas desafiladas incrementan la posibilidad de causar contragolpe y heridas a usted y a los transeúntes. Las cuchillas dañadas o destrozadas pueden provocar accidentes y heridas graves.
- Preste atención al retroceso cuando corte matorrales o arbolillos que estén en tensión. Cuando la tensión de las fibras de la madera se libera, los matorrales o los arbolillos pueden golpear al usuario y/o provocar una pérdida del control de la máquina.
- Tenga especial cuidado al cortar la maleza, ya que el material fino puede engancharse en la cuchilla y dispararse hacia usted o hacerle perder el equilibrio. Si no lo hace, podría provocar una lesión o accidente fatal.



- ◆ Para zonas grandes y llanas, siegue en el sentido de las agujas del reloj desde el perímetro hacia dentro.
- ◆ Tenga cuidado ya que la hierba húmeda es resbaladiza.
- ◆ Sujete el asidero de la unidad con ambas manos mientras trabaja, y hágalo de forma que el protector esté siempre paralelo al suelo.
- ◆ Si la hierba es dura y alta, ajuste la cuchilla de corte en una posición elevada y, a continuación, corte en una posición baja.
- ◆ La hierba húmeda se pega fácilmente, por lo que debe limpiarla cada cierto tiempo. Cuando realice la limpieza, póngase guantes, retire siempre la llave de seguridad y la batería, y asegúrese de que la cuchilla esté completamente detenida.

## Utilización en pendientes



### **⚠ ADVERTENCIA**

- Riesgo de descargas eléctricas o fuego. No utilice materiales conductores para limpiar la batería ni su compartimento.

1. Suelte el interruptor de gatillo y el bloqueo del interruptor de gatillo y deje que el cabezal de corte se detenga.
2. Asegúrese de que el indicador LED de alimentación no esté encendido.
3. Presione el pestillo del pack de baterías (A) y deslice la batería para extraerla del cabezal de alimentación.
4. Utilice aire comprimido o un cepillo de cerdas suaves para eliminar la suciedad de la batería y de su compartimento.

# Mantenimiento y cuidados

## ⚠ ADVERTENCIA

Cuando compruebe o realice el mantenimiento del producto después del uso, tenga en cuenta las siguientes precauciones:

- **Desconecte la alimentación de la unidad, extraiga la batería y asegúrese de que todas las piezas móviles se hayan detenido por completo.**  
Podría producirse un accidente si el producto arranca de forma inesperada.
- **Deje que la unidad se enfríe antes de realizar el mantenimiento.**  
Podría quemarse.
- **No realice nunca el mantenimiento de packs de baterías dañados. El mantenimiento de los packs de baterías solo debe realizarlo el fabricante o un servicio técnico autorizado.**

## IMPORTANTE

- Las comprobaciones y el mantenimiento requieren un conocimiento especializado. Si no puede comprobar y realizar el mantenimiento del producto o solventar un problema por su cuenta, consulte con su distribuidor. No intente desmontar el producto.
- Limpie la máquina con un paño seco. No utilice agua.

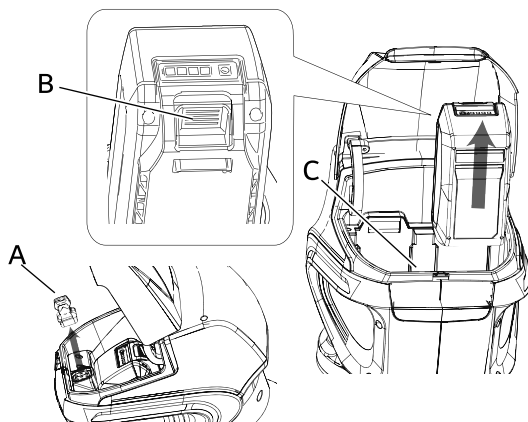
### Directivas de asistencia

Área	Mantenimiento	Página	Antes de usar	Mensual
Batería, compartimento de la batería	Inspeccionar/Limpiar/Cargar	28	•	
Cuchilla de corte	Inspeccionar/Limpiar	27,30	•	
Ruedas	Inspeccionar/Limpiar	30	•	
Cubierta de protección, protección trasera	Inspeccionar/Limpiar	30	•	
Canales de descarga	Inspeccionar/Limpiar	30	•	
Tornillos, pernos y tuercas	Inspeccionar/Apretar/Reemplazar	-	•	

### Mantenimiento y cuidados

Si tiene cualquier pregunta o problema, póngase en contacto con su DISTRIBUIDOR ECHO.

#### Limpieza de la batería y de su compartimento



## ⚠ ADVERTENCIA

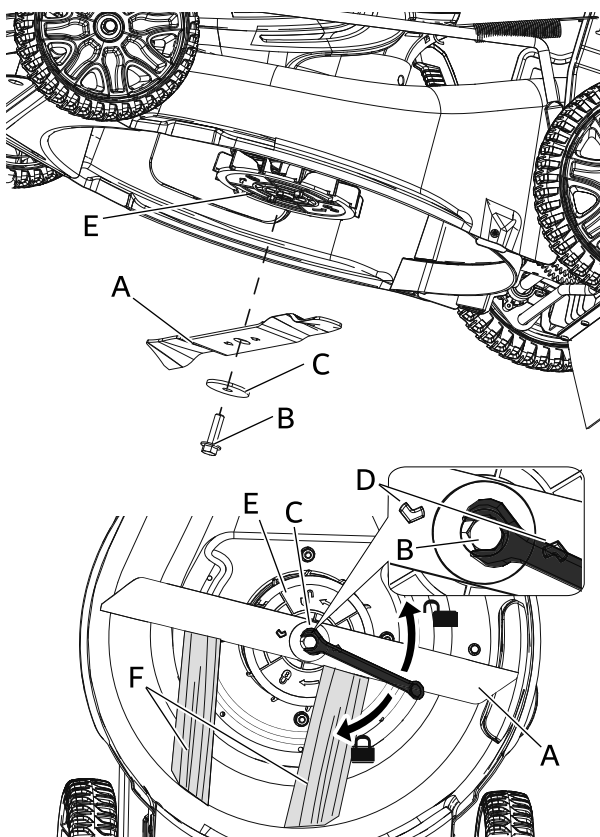
○ **Riesgo de descargas eléctricas o fuego. No utilice materiales conductores para limpiar la batería ni su compartimento.**

1. Suelte el botón de encendido, el interruptor de accionamiento y el interruptor de marcha, y deje que la cuchilla y las ruedas se detengan.
2. Retire la llave de seguridad (A).
3. Presione el pestillo del pack de baterías (B) y deslice el pack de baterías para extraerlo del compartimento (C).
4. Utilice aire comprimido o un cepillo de cerdas suaves para eliminar la suciedad de la batería y de su compartimento (C).

## Instalación de la cuchilla

### **⚠ ADVERTENCIA**

- Utilice guantes de alta resistencia cuando trabaje con la cuchilla de corte.
- Cuando sustituya la cuchilla de corte durante una tarea de recorte, suelte el botón de accionamiento, el interruptor de accionamiento y el interruptor de marcha, y asegúrese de que la cuchilla y las ruedas se han detenido, y de que se han extraído la llave de seguridad y las baterías.
- No intente colocar la cuchilla de corte con una sola mano o sin utilizar una llave inglesa o una llave de tubo. Coloque la cuchilla de corte con precisión utilizando la llave inglesa o la llave de tubo y apriétela firmemente en su posición.
- No utilice otra herramienta que no sea la llave inglesa o de tubo para apretar la cuchilla; las herramientas neumáticas o eléctricas pueden apretar excesivamente la cuchilla y provocar la rotura del perno o del cabezal de salida.
- Si se usara un perno desgastado para la cuchilla, existe el peligro de que se afloje. Sustitúyalo siempre por uno nuevo.  
En caso contrario, podría producirse una lesión o un accidente grave.



### Desmontaje

1. Detenga de la unidad. Asegúrese de que la cuchilla (A) se detiene completamente.
2. Retire la llave de seguridad y las baterías.
3. Inspeccione la nueva cuchilla de corte (A) antes de su instalación. Compruebe que esté afilada.
4. Utilice un trozo de madera (F) o una herramienta especial de sujeción de la cuchilla del cortacésped para evitar el movimiento de la cuchilla de corte actual (A).
5. Afloje el perno de fijación (B) en el sentido contrario a las agujas del reloj con la llave inglesa o la llave de tubo, para retirar el perno de fijación (B) y el espaciador (C).
6. Retire la cuchilla de corte (A).

### Instalación

### **⚠ PRECAUCIÓN**

- Fije bien el eje de salida utilizando un trozo de madera o una herramienta especial de sujeción de cuchillas de cortacésped para evitar que gire cuando se monte la cuchilla. De lo contrario, la tuerca de sujeción de la cuchilla no se apretará lo suficiente.

7. Coloque la nueva cuchilla de corte (A) y asegúrese de que las flechas (D) del cabezal de salida encajan en los orificios de la cuchilla de corte (A), y coloque el espaciador (C) y el perno de fijación (B) para girar el perno de fijación (B) a mano en el sentido de las agujas del reloj.

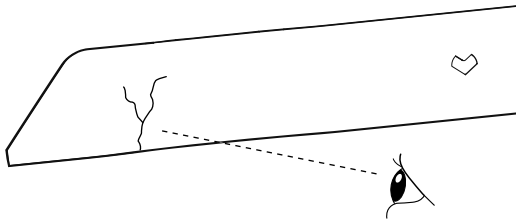
### **⚠ PRECAUCIÓN**

- Nunca apriete mientras presiona utilizando su peso. De lo contrario, podría romperse la rosca del perno (B) o el cabezal de salida (E).

8. Apriete firmemente el perno de fijación (B) en el sentido de las agujas del reloj con la llave inglesa o la llave de tubo, para fijar el espaciador (C) y la cuchilla de corte. Par de apriete recomendado: 33-37 Nm.
9. Retire el trozo de madera (F) o la herramienta especial de sujeción de la cuchilla del cortacésped.
10. Compruebe manualmente que la cuchilla puede girar libre y horizontalmente utilizando un guante de alta resistencia.

# Mantenimiento y cuidados

## Comprobación de la cuchilla



- ♦ Use sólo la cuchilla designada por el fabricante para este modelo.
- ♦ Sustituya la cuchilla por una nueva si ve alguna grieta. No use en ningún caso una cuchilla agrietada.
- ♦ Asegúrese de que la cuchilla está colocada correctamente según las instrucciones.
- ♦ Cuando la cuchilla se melle o doble aumentarán las vibraciones. En ese caso, sustitúyala por una nueva.
- ♦ Limpieza de la cuchilla de corte.

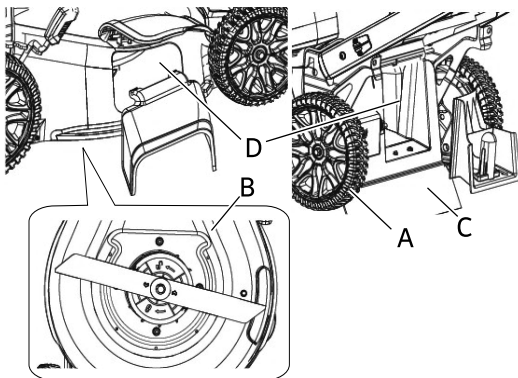
### **⚠ PRECAUCIÓN**

- Una cuchilla sin filo aumenta el riesgo de que se produzcan reacciones de retroceso de la cuchilla.
- Las grietas pequeñas pueden convertirse en fracturas y, durante el uso, podrían salir volando trozos de cuchilla con el consiguiente peligro.
- Si es necesario, haga que una persona cualificada afile uniformemente la cuchilla.

## Limpieza de la unidad

### **⚠ PRECAUCIÓN**

- Utilice guantes de alta resistencia cuando trabaje cerca de la la cuchilla de corte o de las ruedas.
- Cuando limpie la unidad, suelte el botón de accionamiento, el interruptor de accionamiento y el interruptor de marcha, y asegúrese de que la cuchilla y las ruedas se han detenido, y de que se han extraído la llave de seguridad y las baterías.  
En caso contrario, podría producirse una lesión o un accidente grave.
- No deje que los líquidos de frenos, la gasolina, los materiales derivados del petróleo, los disolventes fuertes o los detergentes entren en contacto con las piezas de plástico.  
Los productos químicos pueden dañar el plástico y hacerlo inservible.



1. Suelte el botón de encendido, el interruptor de accionamiento y el interruptor de marcha.
2. Retire la llave de seguridad y las baterías.
3. Limpie e inspeccione las ruedas (A), la cubierta de protección (B), la protección trasera (C) y los canales de descarga (D).

### **IMPORTANTE**

- Elimine la hierba acumulada alrededor de los ejes de la cuchilla de corte y las ruedas.

# Mantenimiento y cuidados

## Tabla de localización de averías

<b>IMPORTANTE</b>		
<p>○ Para piezas de repuesto y consumibles, utilice solo piezas originales y los productos y componentes indicados. La utilización de piezas de otros fabricantes o de componentes no indicados puede derivar en un fallo de funcionamiento.</p>		
Problema	Causa	Solución
La luz roja del cargador parpadea o no se enciende	<ol style="list-style-type: none"> <li>1. Enchufe no conectado a la toma</li> <li>2. El pack de baterías no se ha instalado correctamente</li> <li>3. Conexión obstruida</li> <li>4. Fallo en el cargador</li> <li>5. Fallo en el pack de baterías</li> </ol>	<ol style="list-style-type: none"> <li>1. Enchufe el cargador</li> <li>2. Compruebe la instalación del pack de baterías</li> <li>3. Vuelva a instalar el pack de baterías después de eliminar las obstrucciones de la conexión.</li> <li>4. Consulte con su distribuidor</li> <li>5. Consulte con su distribuidor</li> </ol>
La unidad no funciona cuando se enciende	<ol style="list-style-type: none"> <li>1. El pack de baterías no se ha instalado correctamente</li> <li>2. Pack de baterías descargado</li> <li>3. Cabezal de hilo obstruido</li> <li>4. Pack de baterías a temperatura fuera de los límites aceptables</li> <li>5. Hierba atascada entre la cubierta de protección y la cuchilla de corte o las ruedas.</li> <li>6. El pack de baterías puede precisar mantenimiento o sustitución.</li> </ol>	<ol style="list-style-type: none"> <li>1. Compruebe la instalación del pack de baterías</li> <li>2. Cargar el pack de baterías</li> <li>3. Apague la unidad y limpie el accesorio de corte</li> <li>4. Extraiga el pack de baterías y permita que se enfríe</li> <li>5. Retire la batería y la llave de seguridad; compruebe si hay obstrucciones bajo la cubierta de protección.</li> <li>6. Póngase en contacto con su distribuidor o sustituya la batería.</li> </ol>
El tiempo de funcionamiento es demasiado corto	<ol style="list-style-type: none"> <li>1. Pack de baterías a temperatura fuera de los límites aceptables</li> <li>2. Componentes electrónicos de la unidad demasiado calientes</li> <li>3. Pack de baterías descargado</li> </ol>	<ol style="list-style-type: none"> <li>1. Extraiga el pack de baterías y permita que se enfríe</li> <li>2. Apague la unidad y deje que se enfríe</li> <li>3. Cargar el pack de baterías</li> </ol>
La unidad corta la hierba de forma irregular.	<ol style="list-style-type: none"> <li>1. El césped es rugoso o irregular.</li> <li>2. La altura de corte no está correctamente ajustada.</li> <li>3. La cuchilla de corte está desafilada.</li> </ol>	<ol style="list-style-type: none"> <li>1. Compruebe la zona de siega.</li> <li>2. Coloque la palanca de ajuste de altura en una posición más alta.</li> <li>3. Sustituya o afile la cuchilla.</li> </ol>
La unidad hace demasiado ruido y vibra.	<ol style="list-style-type: none"> <li>1. El eje de la cuchilla de corte o de las ruedas está doblado.</li> <li>2. La cuchilla de corte o las ruedas están desequilibradas.</li> </ol>	<ol style="list-style-type: none"> <li>1. Detenga la unidad y compruebe si hay daños. Contacte con su distribuidor para que la repare.</li> <li>2. Realice la reparación antes de volver a encender la máquina. Si la vibración continúa, póngase en contacto con el distribuidor autorizado.</li> </ol>
Cuesta empujar o autopropulsar la unidad.	<ol style="list-style-type: none"> <li>1. La hierba está demasiado alta o la altura de corte es demasiado baja.</li> <li>2. La parte trasera del recogedor de hierba se arrastra en la hierba espesa.</li> </ol>	<ol style="list-style-type: none"> <li>1. Eleve la altura de corte.</li> <li>2. Vacíe los recortes de hierba del recogedor.</li> </ol>
La unidad no realiza el mulching correctamente.	<ol style="list-style-type: none"> <li>1. Los recortes de hierba húmedos se adhieren a la parte inferior de la cubierta de protección.</li> <li>2. Falta la tapa de mulching.</li> </ol>	<ol style="list-style-type: none"> <li>1. Retire el pack de baterías y limpie la unidad. Espere a que la hierba se seque antes de segarla.</li> <li>2. Instale la tapa de mulching.</li> </ol>

- ♦ Consulte con su distribuidor si se encuentra con un problema que no esté cubierto en la tabla anterior o para cualquier otra consulta.
- ♦ Para desechar el producto o sus piezas de acuerdo con las normativas locales, póngase en contacto con su distribuidor.

# Mantenimiento y cuidados

## Almacenamiento

### **ADVERTENCIA**

- **No guardar en un lugar cerrado donde puedan acumularse gases combustibles.**  
Podría provocar un incendio.



Cuando almacene la unidad durante largos periodos de tiempo, asegúrese de que se realicen los siguientes preparativos para el almacenamiento.

#### Unidad del motor

1. Apague la unidad.
2. Retire la llave de seguridad y el pack de baterías de su alojamiento.
3. Elimine la acumulación de suciedad y desechos del exterior de la unidad.
4. Apriete todos los tornillos y tuercas.
5. Cierre la tapa de la batería.
6. Guarde la unidad en un lugar seco, libre de polvo y fuera del alcance de los niños.
7. Guarde la unidad a temperaturas comprendidas entre 0 °C (32°F) y 40 °C (104 °F).

#### Batería

1. Retire la batería de su alojamiento.
2. Cubra la batería.
3. Guarde la unidad en un lugar seco, libre de polvo y fuera del alcance de los niños.
4. Almacenar a temperaturas entre 0 °C (32°F) y 40 °C (104 °F).
5. Si la batería se almacena durante más de un año, cárguela hasta aproximadamente un 40 – 60% de su capacidad y guárdela a temperaturas entre 10 °C (50 °F) y 30 °C (86 °F).

#### Cargador de la batería

1. Extraiga la batería del cargador.
2. Cubra el cargador.
3. Desconecte el cargador de la batería de la toma de corriente.
4. Guarde la unidad en un lugar seco, libre de polvo y fuera del alcance de los niños.

## Eliminación



- ♦ Las principales piezas de plástico que componen el producto llevan códigos que indican el material del que están hechas. Los códigos hacen referencia a los siguientes materiales; recicle dichas piezas de plástico según las normativas locales.

Marca	Material
>PA6-GF<	Nailon 6 - Fibra de vidrio
>PP-GF<	Polipropileno - Fibra de vidrio
>PE-HD<	Polietileno
>PP<	Polipropileno
>ABS<	Acrlonitrilo - Butadieno - Estireno

- ♦ Póngase en contacto con su distribuidor si no conoce los procedimientos de eliminación de las piezas plásticas.
- ♦ La batería contiene litio. Elimínela únicamente en un punto de recogida autorizado.
- ♦ Las baterías de ion litio deben reciclarse o eliminarse correctamente.

# Características técnicas

		DLM-5100SP		
<b>Dimensiones externas:</b> Longitud × Anchura × Altura		1590 × 560 × 1190 mm		
<b>Peso:</b> Unidad sin batería, Recogedor de hierba, Tapa de mulching, Canal de descarga lateral Unidad con batería		27,6 kg 31,7 kg		
<b>Cuchilla de corte:</b> Cabezal de corte de metal Frecuencia máxima de giro del eje		515 mm 2800 r/min, 3200r/min (Turbo)		
<b>Batería:</b> Tipo Tensión del pack		LBP-56V125, LBP-56V250, LBP-50-150, LBP-50-250 Li-ion 56 voltios (nominal 50,4 V)		
<b>Cargador:</b> Tensión de entrada del cargador Tiempo de carga (aproximadamente)	V min	LC-56V4A 220 - 240 CA 38 (LBP-56V125) 75 (LBP-56V250) N/A (LBP-50-150)* N/A (LBP-50-250)*	LCJQ-560 220 - 240 CA 47 (LBP-56V125) 86 (LBP-56V250) 47 (LBP-50-150) 89 (LBP-50-250)	LCJU-560 220 - 240 CA 47 (LBP-56V125) 52 (LBP-56V250) 47 (LBP-50-150) 57 (LBP-50-250)
<b>Luces del cargador:</b>		LED rojo - La temperatura de carga de la batería está fuera de los límites LED rojo parpadeando - Fallo LED verde - Fin de carga de la batería LED verde parpadeando - La batería está cargando con normalidad		
<b>Niveles de vibración:</b> (EN IEC 62841-4-3) Incertidumbre:K		≤2,5 m/s <sup>2</sup> 1,5		
<b>Nivel de presión acústica:</b> (EN IEC 62841-4-3) <b>Nivel de potencia acústica:</b> (EN IEC 62841-4-3) Incertidumbre		81,4 dB(A) 94,3 dB(A) 3,0 dB(A)		

\* No cargue la batería LBP50-150/LBP-50-250 con el cargador LC-56V4A.

Estas características técnicas están sujetas a cambios sin previo aviso.

La vibración y las emisiones de ruido durante el uso real de la unidad pueden diferir de los valores declarados en función de la manera en que se use la herramienta y, en especial, del tipo de pieza de trabajo que se utilice.

# Declaración de conformidad

---

El fabricante abajo firmante:

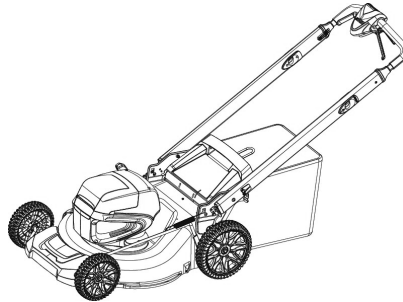
**YAMABIKO CORPORATION**  
1-7-2 Suehirocho, Ohme, Tokio 198-8760 JAPÓN

Declaración de conformidad publicada bajo la exclusiva responsabilidad del fabricante.

Declara que la unidad nueva aquí especificada:

## **CORTACÉSPED**

**Marca: ECHO**  
**Tipo: DLM-5100SP**



Cumple con:

- \* los requisitos de la Directiva **2006/42/CE** (aplicación de la norma armonizada **EN 62841-1: 2015+A11:2022, EN IEC 62841-4-3: 2021+A11: 2021**)
- \* los requisitos de la Directiva **2014/30/UE** (aplicación de la norma armonizada **EN 55014-1: 2017+A11: 2020, EN 55014-2: 1997+A1: 2001+A2: 2008**)
- \* Los requisitos de la Directiva **2000/14/CE** enmendada por **2005/88/CE**  
Procedimiento de valoración de conformidad según **ANEXO VI**  
TÜV Rheinland LGA Products GmbH (Organismo notificado 0197)  
Tillystrasse 2, 90431 Nürnberg – Alemania  
Nivel de potencia acústica medido: 94 dB(A)  
Nivel de potencia acústica garantizado: 98 dB(A)
- \* los requisitos de la Directiva **2011/65/UE** (aplicación de la norma armonizada **EN IEC 63000: 2018**)

Número de serie E82335001001 a E82335100000

Tokio, 1 de Febrero de 2024

## **YAMABIKO CORPORATION**



**Katsunori Kon**

**Director general**  
**Departamento de Garantía de Cali-**  
**dad**

**El representante autorizado en Europa que está autorizado para compilar el expediente técnico.**

Empresa: CERTIFICATION EXPERTS B.V.

Dirección: Amerlandseweg 7, 3621 ZC Breukelen, Países Bajos

**Richard Glaser**

# MEMORANDO

# YAMABIKO CORPORATION

1-7-2 Suehirocho, Ohme, Tokio 198-8760 JAPÓN  
TELÉFONO: 81-428-32-6118. FAX: 81-428-32-6145.



X750829-2201



**YAMABIKO CORPORATION**  
1-7-2 Suehirocho, Ohme, Tokyo 198-8760 JAPAN  
PHONE: 81-428-32-6118. FAX: 81-428-32-6145.



X750829-2201