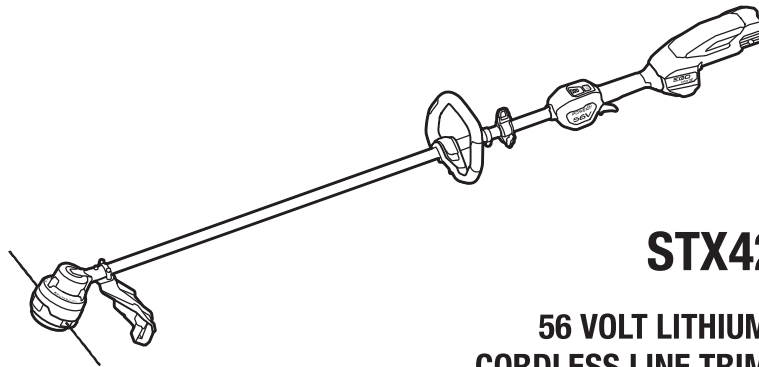


EGOTM

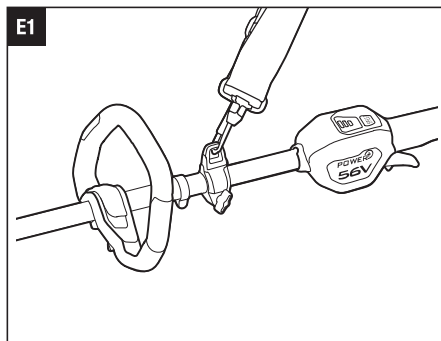
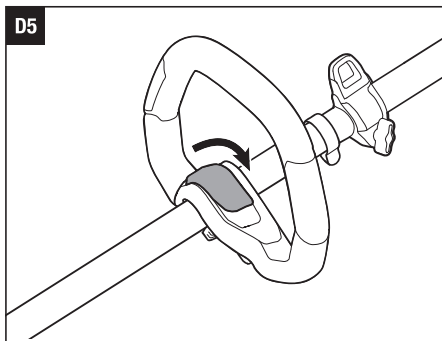
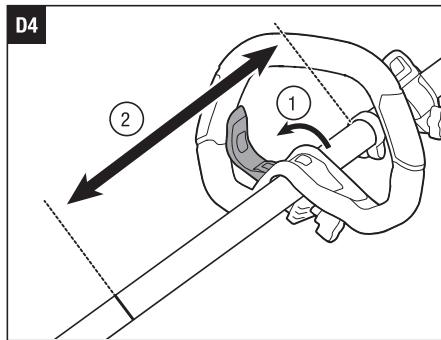
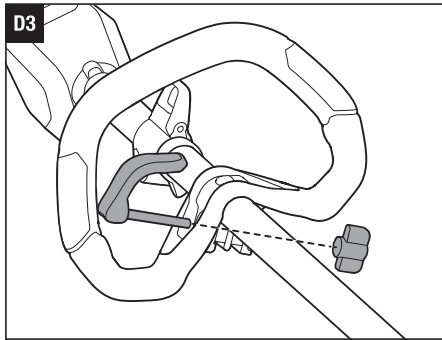
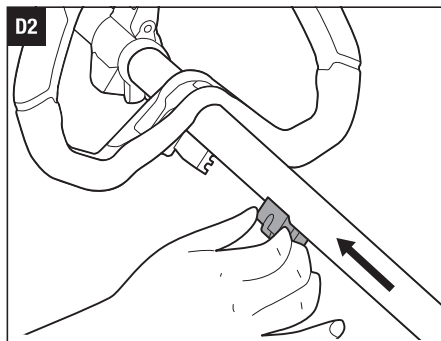
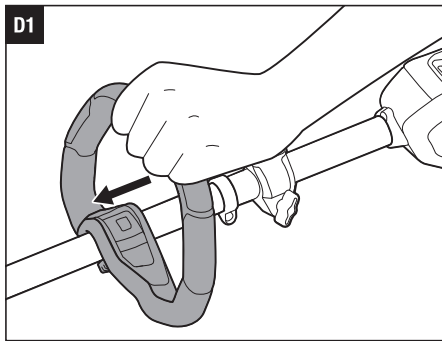
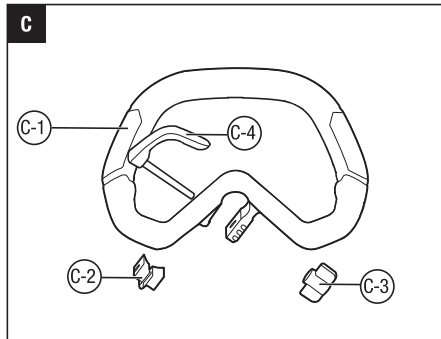
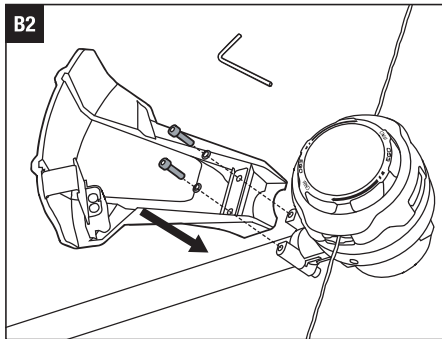
PRO X

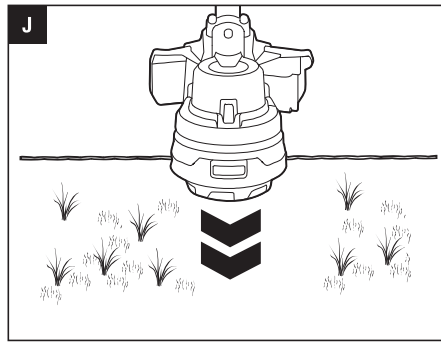
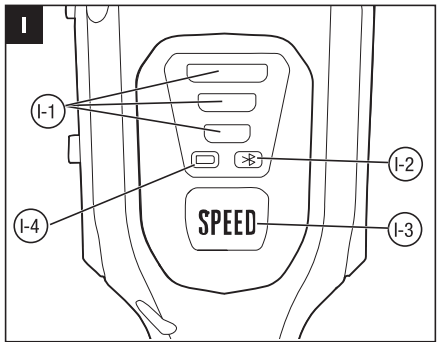
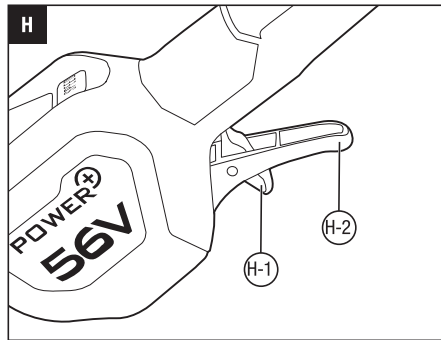
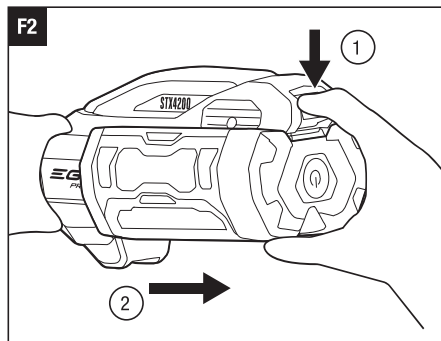
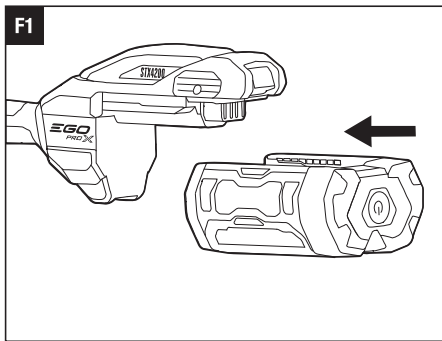
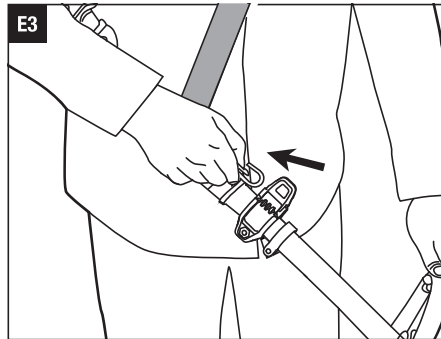


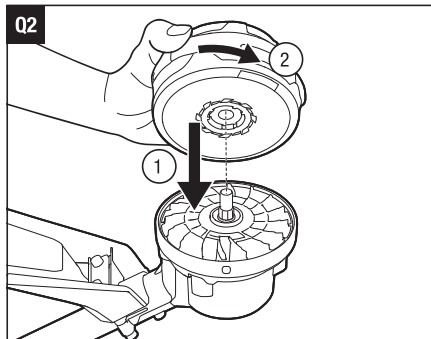
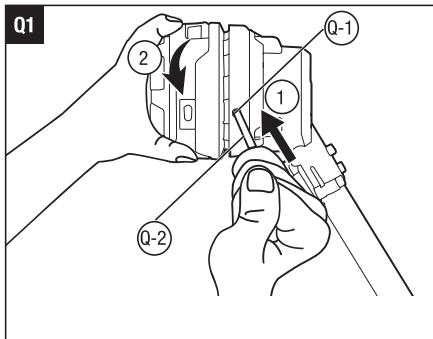
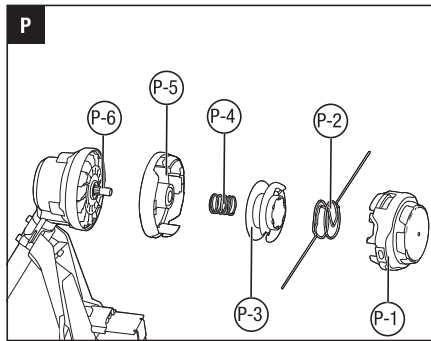
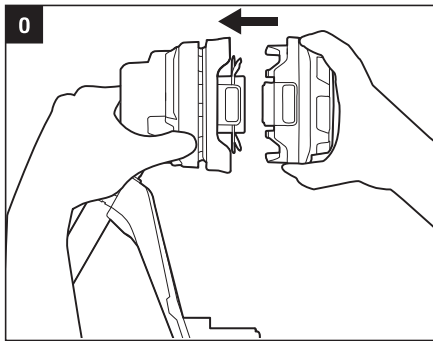
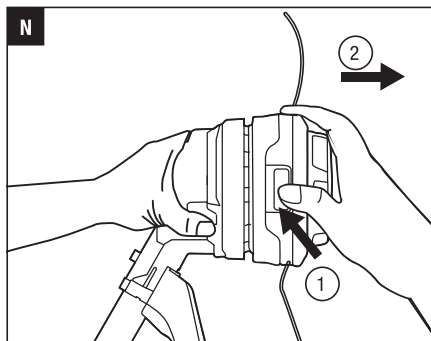
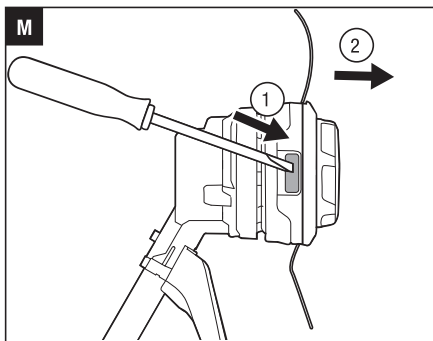
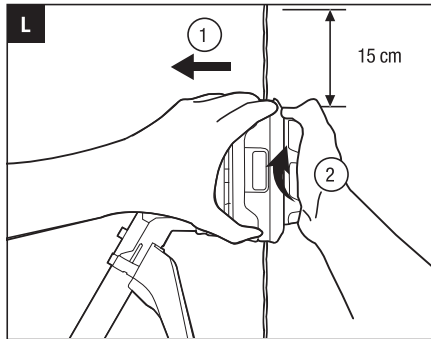
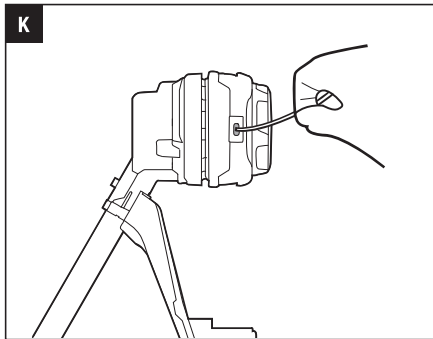
STX4200

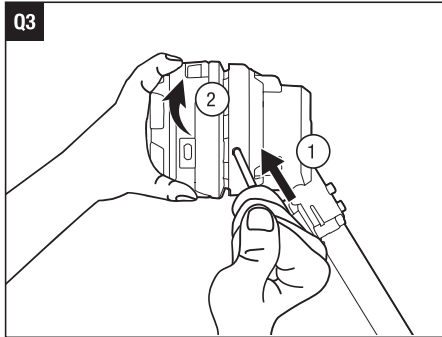
56 VOLT LITHIUM-ION CORDLESS LINE TRIMMER

EN	56 Volt lithium-ion cordless line trimmer	7	SL	56-voltna litij-ionska akumulatorska motorna kosa	177
DE	56 Volt Lithium-Ionen-Akku-Rasentrimmer	17	LT	Belaidė žoliapjovė su lyneliu ir 56 voltų ličio jonų baterija	187
FR	Taille-bordures sans fil lithium-ion 56 V	27	LV	56 voltu litija jonu bezvadu auklas trimmeris	197
ES	Cortabordes inalámbrico con cabezal de hilo y acumulador de ion de litio de 56 voltios	37	GR	Ασύρματο χλοοκοπτικό μεσινέζας 56 Volt ιόντων-λιθίου	207
PT	Roçadora de fio sem fios de ião de lítio de 56 volts	47	TR	56 Volt lityum iyon akülü ot biçme makinesi	218
IT	Decespugliatore a filo cordless li-ion 56 volt	57	ET	56-voldise liitiumioonakuga akujõhvtrimmer	228
NL	56 Volt lithium-ion accu grastrimmer	67	UK	Лісовий тример із живленням від 56-вольтового літій-іонного акумулятора	238
DK	Ledningsfri græstrimmer med 56 volts lithium-ion-batteri	77	BG	56 волта литиево-йонен безкабелен кордов тример	248
SE	56 Volts litiumjon sladdlös trädtrimmer	87	HR	Šišač trave s reznom niti s litij-ionskom baterijom 56 V	258
FI	Akkukäyttöinen 56 voltin litium-ionisiim-aleikkuri	97	KA	56 ვოლტიანი ლითიუმ-იონის უსადენო ხაზის საკრეჭი	268
NO	56 Volts ledningsfri kantklipper	107	SR	Bežični trimer sa strunom i litijum-jonskom baterijom od 56 volti	280
RU	Беспроводной тример с леской и литий-ионным аккумулятором 56 в	117	BS	Akumulatorski trimer s reznom niti i litij-ionskom baterijom od 56 V	290
PL	Akumulatorowa podkaszarka litowo- jonowa 56 V	127	HE	דשד אלהוטי ליתיום-יון 56 וולט	319
CZ	56 V lithium-iontový akumulátorový vyžinač	137	AR	310 جزارة عملة بالخيط لاسلكية بطارية ليثيوم-أيون 56 فولت	
SK	56 V litium-iónový akumulátorový vyžinač	147			
HU	56 V litium-ion akkumulátoros szegélynyíró	157			
RO	Motocoasă cu fir cu acumulator litiu-ion de 56 Voltj	167			









EGO Europe GmbH
Autenbachstraße 11, 71711 Steinheim an der Murr, Germany
Chervon Europe Ltd
The Anchorage, 34 Bridge Street Reading, RG1 2LU, United Kingdom



READ ALL INSTRUCTIONS!



READ OPERATOR'S MANUAL

SAFETY SYMBOLS

⚠ WARNING: The operation of any machines can result in foreign objects being thrown into your eyes, which can result in severe eye damage. Before beginning machine operation, always wear safety goggles or safety glasses with side shields and a full face shield when needed. We recommend a Wide Vision Safety Mask for use over eyeglasses or standard safety glasses with side shields.



Safety Alert



Wear Eye Protection



Do not use metal blades



The distance between the machine and bystanders shall be at least 15 m.



Guaranteed sound power level. Noise emission to the environment according to the European community's Directive.



Bluetooth®

n_0

Maximum Speed



Direct Current

kg

Kilogram

mm

Millimeter

cm

Centimeter

.../min Revolutions or reciprocation per minute



Read & Understand Operator's Manual



Wear Ear Protection



Keep bystanders away



Risk of burns. Do not touch hot surface.



Beware of thrown objects



Disconnect battery before maintenance



Waste electrical products should not be disposed of with household waste. Take to an authorized recycler.



The product complies with the applicable European directives.



UK Conformity Assessed.

IPX5

Protection against water jets

V

Voltage

NOTE: The Bluetooth® word mark and logos are registered trademarks owned by Bluetooth SIG, inc. and any use of such marks by EGO is under license.



EN SPECIFICATIONS

Voltage	56 V $\overline{\text{---}}$	
n_0	Low: 4000 /min Medium: 5000 /min High: 6000 /min	
Cutting Mechanism	Bump Head	
Cutting Line Type	2.4-2.7 mm nylon twist line	
Cutting Width	42 cm	
Recommended Operating Temperature	0°C - 40°C	
Recommended Storage Temperature	-20°C - 70°C	
Optimum Charging Temperature	5°C - 40°C	
Weight (without battery pack)	3 kg	
Bluetooth Operating Frequency Band	2402-2480 MHz	
Bluetooth Maximum Transmission Power	10 dBm	
Measured sound power level L_{WA}	93 dB(A) K=1.1 dB(A)	
Sound pressure level at operator's ear L_{PA}	77 dB(A) K=3 dB(A)	
Guaranteed sound power level L_{WA} (measured according to 2000/14/EC)	94 dB(A)	
Valuation of vibration a_v :	Front Handle	2.2 m/s ² K=1.5 m/s ²
	Rear handle	1.27 m/s ² K=1.5 m/s ²

- The declared vibration total value has been measured in accordance with a standard test method and may be used for comparing one machine with another;
- The declared vibration total value may also be used in a preliminary assessment of exposure.

NOTICE: The vibration emission during actual use of the machine can differ from the declared value in which

the machine is used; In order to protect the operator, user should wear gloves and ear protectors in the actual conditions of use.

PACKAGE (FIG.A1)

DESCRIPTION

KNOW YOUR LINE TRIMMER (Fig. A1)

1. Guard
2. Line-cutting Blade
3. Trimmer Head (Bump Head)
4. Cutting Line
5. Motor Housing
6. Trimmer Shaft
7. Quick Adjustable Front Handle
8. Speed Mode Button
9. Battery-status Indicator
10. Speed Indicator
11. Bluetooth® Indicator
12. Variable Speed Trigger
13. Lock-off Switch
14. Battery-release Button
15. Latch
16. Ejection Mechanism
17. Stop Ring
18. 4mm Hex Key
19. Rear Handle
20. Shoulder Strap Loop
21. Shoulder Strap

ASSEMBLY

⚠ WARNING: If any parts are damaged or missing, do not operate this product until the parts are replaced. Use of this product with damaged or missing parts could result in serious personal injury.

⚠ WARNING: Do not attempt to modify this product or create accessories not recommended for use with this line trimmer. Any such alteration or modification is misuse and could result in a hazardous condition leading to possible serious personal injury.



EN

⚠ WARNING: To prevent accidental starting that could cause serious personal injury, always remove the battery pack from the machine when assembling parts.

MOUNTING THE GUARD (FIG. B1 & B2)

⚠ WARNING: Always wear gloves when mounting or replacing the guard. Take care of the blade on the guard and protect your hand from cutting.

⚠ WARNING: Never operate the machine without the guard firmly in place. The guard must always be on the machine to protect the user! When the guard is fixed, never attempt to remove or adjust the guard, if a replacement is needed, it should be performed by a qualified service technician!

NOTICE: Only the guard with icon can be used with line trimmer head and must NOT be used with brush cutter head. Be careful to choose the correct guard when using the machine.

Loosen and remove the two bolts from the guard, align the guard mounting holes with the assembly holes and then lock the guard onto the shaft base with the two bolts, together with two spring washers.

⚠ WARNING: Make sure the guard is fixed according to Fig. B1 & B2, any reverse fixing will cause great danger!

MOUNTING AND ADJUSTING THE FRONT HANDLE

1. Stop the motor and remove the battery pack from the machine, if installed.
2. Loosen the wing nut to separate the adjustable front handle (Fig. C).

C-1	Front Handle	C-3	Wing Nut
C-2	Clamping Block	C-4	Quick-release Lever

3. Position the slant of the front handle upward towards the rear handle. Press the handle onto the upper shaft (Fig. D1).
4. Insert the clamping block into the handle slot (Fig. D2).
5. Mount the quick-release lever and tighten the wing nut. (Fig. D3).
6. Pull the quick-release lever up to move/rotate the front handle to a comfortable operating position (Fig. D4).
7. Fold the quick-release lever to secure the front handle in place (Fig. D5).

⚠ WARNING: Never operate the machine without the front handle firmly in place.

MOUNTING SHOULDER STRAP

Depress the strap carabiner to open it and attach it onto the shoulder strap loop (Fig. E1).

There are two ways to release the strap. Take it off from your shoulder directly (Fig. E2) or depress the carabiner and disconnect the shoulder strap from the shoulder strap loop (Fig. E3).

When wearing the strap, no other wearable should interfere with the release and removal of the strap.

When an emergency occurs, take it off from your shoulder immediately, no matter what way the strap is in.

⚠ WARNING: For safe and comfortable operation, when using with a 6.0 Ah or higher Ah battery pack, be sure to use the BH1000 EGO Backpack Link to relieve the weight on the user's arms.

⚠ WARNING: Do not use shoulder strap and BH1000 EGO Backpack Link at the same time. This will prevent quick emergency release of the machine, resulting in personal injury.

OPERATION

⚠ WARNING: Do not allow familiarity with this product to make you careless. Remember that a careless fraction of a second is sufficient to inflict serious injury.

⚠ WARNING: Always wear eye protection, along with hearing protection. Failure to do so could result in objects being thrown into your eyes and other possible serious injuries.

⚠ WARNING: Do not use any attachments or accessories not recommended by the manufacturer of this product. The use of attachments or accessories not recommended can result in serious personal injury.

⚠ WARNING: To prevent serious personal injury, remove the battery pack from the machine before servicing, cleaning, changing attachments or removing material from the unit.

APPLICATIONS

The product may be used in rain.

You may use this product for the purposes listed below:

Trimming grass and weeds up against walls, fences, trees and borders.



EN

NOTICE: The machine is to be used only for its prescribed purposes. Any other use is deemed to be a case of misuse.

ATTACHING/DETACHING THE BATTERY

Use only with EGO's battery packs and chargers listed in Fig.A2.

Fully charge before first use.

To Attach

Align the battery ribs with the mounting slots and press the battery pack down until you hear a "click" (Fig. F1).

To Detach

Depress the battery-release button and pull the battery out (Fig. F2).

HOLDING THE LINE TRIMMER (Fig. G)

For safe and better operation, put on the shoulder strap across the shoulder. Adjust the shoulder strap length and placement to a comfortable operating position – hold the trimmer with both hands: one hand on the rear handle and the other hand on the front handle.

NOTICE: The trimmer head is parallel to the ground at a proper cutting distance without the operator bending over.

⚠ WARNING: When an emergency occurs, take the shoulder strap off from your shoulder immediately, no matter what way the strap is on.

STARTING/STOPPING THE MACHINE (Fig. H)

To Start

1. Move the lock-off switch forward and then press the variable speed trigger to start.
2. The rotational speed of the trimmer head is controlled with the variable speed trigger. More pressure on the trigger results in higher speed; less pressure on the trigger results in lower speed. Adjust the speed to suit the task at hand.

NOTICE: The motor starts only when the lock-off lever is moved forward and the trigger switch is depressed at the same time.

To Stop

Move the machine away from the cutting area and release the variable speed trigger to stop it.

⚠ WARNING: Always remove the battery pack from the machine during work breaks and after finishing work.

H-1	Lock-off Switch	H-2	Variable Speed Trigger
-----	-----------------	-----	------------------------

CHANGING SPEED MODE (FIG. I)

The machine features three speed modes.

Every time press the speed mode switch, the speed mode will change.

The speed indicator will display the active speed status: one light for low speed, two lights for medium speed, three lights for high speed. The low speed mode provides better control of the machine and longer operating time per charge.

NOTICE:

The speed mode can be set before the machine is turned on OR during operation.

When the machine is re-started after a break, the speed mode will return to the previous speed.

I-1	Speed Indicator	I-3	Speed Mode Button
I-2	Bluetooth® Indicator	I-4	Battery-status Indicator

BATTERY-STATUS INDICATOR AND SPEED INDICATOR (FIG. I)

The battery-status indicator shows the charge level and the working status of the battery pack, and the speed indicator shows the working status of the machine as shown in the chart below. The battery-status indicator and the speed indicator will illuminate when the machine is started OR the speed mode button is pressed.

Indicator Lights		Meaning
Battery-status indicator	Solid green	Battery charge level of 20% to 100%
	Flashing green	Battery charge level of 10% to 20%
	Solid red	Battery charge level of less than 10%
	Flashing red (fast or slow)	The battery pack is nearly depleted and needs to be charged immediately.
	Solid orange	The battery pack is overheated. Cool the battery pack until the temperature drops below 67°C. See "Battery High-Temperature Protection" below.
	Flashing red/green alternately	The battery pack electronics error. Replace the battery pack or contact EGO customer service center. See "Battery Electronics Error Protection" below.
Speed indicator (the illustration shows the high speed)	Solid green	The machine is working properly.
	Solid orange	The machine is overheated. Cool the machine until the temperature drops below 80°C. See "Machine High-Temperature Protection" below. NOTICE: To avoid damage to the machine, it will automatically shut down and cool down for 5 minutes after multiple consecutive overheating uses, during which time the orange light remains on as a warning.
	Flashing orange	The machine is overloaded. See "Machine Overload Protection" below.

Battery High-Temperature Protection

If the battery temperature exceeds 70°C during operation, the temperature-protection circuit will immediately shut off the machine to protect the battery pack from overheating damage. The battery-status indicator will glow solid orange. Release the trigger and wait until the overheated battery cools down and the indicator turns green, then restart the machine.

Battery Electronics Error Protection

When the battery pack electronics error occurs, the battery-status indicator will flash red/green alternately and the machine will shut off in 3 seconds. Replace the battery pack or contact EGO customer service center.

Machine Overload Protection

This machine has built-in overload circuit protection. When the machine is overloaded, the motor will stop and the speed indicator will flash orange. Remove the battery pack from the machine, then reattach the battery pack and restart the machine. Decrease the load on the machine, avoid too long or oversized cutting line or cutting on the heavy/woody shrubs.

Machine High-Temperature Protection

If the machine temperature exceeds 90°C during operation, the temperature-protection circuit will immediately shut off the machine from overheating damage. The speed indicator will glow solid orange. Release the trigger and wait until the overheated



EN

machine cools down and the speed indicator turns green, then restart the machine.

COMMUNICATION TECHNOLOGY

For information on our full range of connected products and services, including connection instructions, please scan the QR Code below or visit www.egopowerplus.eu/connect.



USING THE LINE TRIMMER

Clear the area to be cut before each use. Remove all objects, such as rocks, broken glass, nails, wire, or line that can be thrown or become entangled in the cutting attachment. Clear the area of children, bystanders, and pets. At a minimum, keep all children, bystanders and pets at least 15m away; there still may be risk to bystanders from thrown objects. Bystanders should be encouraged to wear eye protection. If you are approached, stop the motor and cutting attachment immediately.

Before each use, check for damage/worn parts

Check the bump head, guard, shoulder strap, shoulder strap loop, and front handle and replace the parts that are cracked, warped, bent, or damaged in any way.

The line-cutting blade on the edge of the guard can dull over time. It is recommended that you periodically sharpen it with a file or replace it with a new blade.

WARNING: Always wear gloves when mounting or replacing the guard or when sharpening or replacing the line-cutting blade. Note the location of the blade on the guard and protect your hands from injury.

Check for blockage of the trimmer head

- To prevent blockage, keep the trimmer head clean. Remove grass clippings, leaves, dirt and any other accumulated debris before and after each use.
- When blockage happens, stop the line trimmer and remove the battery, then remove any grass that may have wrapped itself around the motor shaft or trimmer head.

After each use, clean the trimmer.

Adjusting cutting line length (Fig. J)

The trimmer head allows the operator to release more cutting line without stopping the motor. As line becomes

frayed or worn, additional line can be released by lightly tapping the bump head on the ground while operating the trimmer.

NOTICE: Line release will become more difficult if the cutting line becomes too short.

WARNING: Do not remove or alter the line cutting blade assembly. Excessive line length will cause the motor to overheat and may result in serious personal injury.

Line replacement

NOTICE: Always use the recommended nylon cutting line with a diameter of 2.4-2.7mm. Using line other than that specified may cause the line trimmer to overheat or become damaged.

WARNING: Never use metal-reinforced line, wire, or rope, etc. These can break off and become dangerous projectiles.

1. Remove the battery pack from the line trimmer.
2. Cut 5 m long cutting line, insert the line into the mounting hole inside the eyelet (Fig. K). Push and pull the line from the other side until equal amounts of line appear on both sides of the spool.
3. Press, while rotating the lower cover assembly in the arrow direction, to wind the line onto the spool until approximately 15 cm of line is showing on each side (Fig. L).
4. Push the lower cover assembly down while pulling on the lines to manually advance the line and to check for proper assembly of the trimmer head.

NOTE: In case the line is pulled into the trimmer head by accident, open the head and pull the cutting line out from the spool. Follow the section "**Reloading the cutting line**" in this manual to reload the line.

Reloading the cutting line

When the cutting line breaks from the line outlet or the cutting line is not released when the trimmer head is tapped, follow the below steps:

1. Press the release tabs on the trimmer head and remove the lower cover assembly by pulling it straight out (Fig. M & N).

NOTE: A flat head screw driver may be required to depress the release tabs.

2. Remove the cutting line from the spool.
3. With one hand holding the trimmer, use another hand to grasp the lower cover assembly and align



EN

the slots in the lower cover assembly with the release tabs (Fig. O). Press the lower cover assembly until it snaps into place with a distinct click sound.

4. Follow the instructions in “Line replacement” to reload the cutting line.

TRIMMER HEAD REPLACEMENT

⚠ WARNING: If the head loosens after it is fixed in position, replace it immediately. Never use a trimmer with a loose cutting attachment. Replace a cracked, damaged or worn out cutting head immediately, even if damage is limited to superficial cracks. Such attachments may shatter at high speed and cause serious injury.

Know the trimmer head (Fig. P)

P-1	Lower Cover Assembly	P-4	Spring
P-2	Cutting Line	P-5	Upper Cover
P-3	Spool Assembly	P-6	Drive Shaft

Remove the trimmer head (Fig. Q1)

1. Remove the battery pack.
2. Insert the hex wrench provided into the shaft-locking hole on the motor housing to act as a shaft lock, hold it with one hand and try to push it inward. At the same time, use the other hand to rotate the trimmer head until the hex wrench is fully inserted.

Q-1	Shaft-locking Hole	Q-2	Shaft Lock
-----	--------------------	-----	------------

3. Keep holding the hex wrench, rotate the trimmer head clockwise to remove it.

Install the trimmer head

1. Lay the trimmer on the ground or the floor with the drive shaft facing upward.
2. Align the screw hole on the trimmer head with the drive shaft, install the trimmer head onto the shaft by rotating it counterclockwise (Fig. Q2).
3. Install the hex wrench into the shaft-locking hole per the previous section, “Remove the trimmer head”. Continue to tighten the trimmer head counterclockwise until fully tightened (Fig. Q3).

MAINTENANCE

⚠ WARNING: Before inspecting, cleaning or servicing the unit, stop the motor, wait for all moving parts to stop, and remove the battery pack. Failure to follow these instructions can result in serious personal injury or property damage.

⚠ WARNING: When servicing, use only identical replacement parts. Use of any other parts may create a hazard or cause product damage. To ensure safety and reliability, all repairs should be performed by a qualified service technician.

CLEAN THE MACHINE

- Clean the unit using a damp cloth with a mild detergent.
- Do not use any strong detergents on the plastic housing or the handle. They can be damaged by certain aromatic oils, such as pine and lemon, and by solvents such as kerosene. Moisture can also cause a shock hazard. Wipe off any moisture with a soft dry cloth.
- Clear any grass that may have wrapped itself around the motor shaft or trimmer head.
- Use a small brush or the air discharge of a small vacuum cleaner brush to clean the air vents on the rear housing.
- Keep the air vents free of obstructions.

SHARPENING THE LINE-CUTTING BLADE

⚠ WARNING: Always protect your hands by wearing heavy gloves when performing any maintenance on the line-cutting blade.

1. Remove the battery pack.
2. Remove the line-cutting blade from the guard.
3. Secure the blade in a vise.
4. Wear proper eye protection and gloves and be careful not to cut yourself.
5. Carefully file the cutting edges of the blade with a fine-tooth file or sharpening stone, being careful to maintain the original cutting-edge angle.
6. Reinstall the blade onto the guard and secure it in place with the two screws.



EN

STORING THE MACHINE

- Remove the battery pack from the machine when it is not in use.
- Clean and maintain the machine thoroughly before storing it.
- Store the unit in a dry, well-ventilated area, locked-up or up high, out of the reach of children. Do not store the machine on or adjacent to fertilizers, gasoline, or other chemicals.

Protecting the environment



Do not dispose of electrical equipment, used battery and charger into household waste! Take this product to an authorized recycler and make it available for separate collection. Electric machines must be returned to an environmentally compatible recycling facility.



TROUBLESHOOTING

EN

PROBLEM	CAUSE	SOLUTION
Machine will not start or stops working.	<ul style="list-style-type: none">■ The battery pack is not attached to the trimmer.■ No electrical contact between the trimmer and battery pack.■ The battery pack charge is depleted.■ The lock off switch is not being moved forward before depressing the variable speed trigger.■ The battery pack is too hot.■ The machine is too hot.■ The motor is overloaded.■ The guard is not mounted on the trimmer, resulting in an overly long cutting line and motor overload.■ Heavy cutting line is used.■ The battery pack has electronics error.	<ul style="list-style-type: none">■ Attach the battery pack to the trimmer.■ Remove battery pack, check contacts and reinstall the battery pack.■ Charge the battery pack.■ Move the lock-off switch forward and then press the variable speed trigger.■ Remove the battery pack and cool the battery pack until the temperature drops below 67 °C.■ Remove the battery pack and cool the machine until the temperature drops below 80 °C.■ The motor will recover when the load is removed. For continuous work, decrease the load on the machine, avoid excessive line length or cutting of heavy/woody shrubs.■ Remove the battery pack and mount the guard on the trimmer.■ Use recommended nylon cutting line with diameter 2.4-2.7 mm.■ Replace the battery pack or contact EGO customer service.



EN

PROBLEM	CAUSE	SOLUTION
Excessive vibration or noise.	<ul style="list-style-type: none"> ■ The cutting line is unbalanced. ■ The trimmer head is worn out. 	<ul style="list-style-type: none"> ■ Lightly tap the trimmer head on the ground while operating with the trimmer head. If necessary, tap several times. ■ Replace with a new trimmer head. Refer to chapter "TRIMMER HEAD REPLACEMENT".
Trimmer head will not advance line.	<ul style="list-style-type: none"> ■ The drive shaft or trimmer head is bound with grass. ■ There is not enough line on the spool or the line is broken at the eyelet. ■ Line is tangled in the trimmer head. ■ Heavy cutting line is used. 	<ul style="list-style-type: none"> ■ Stop the line trimmer, remove the battery and then clean the drive shaft or the trimmer head thoroughly. ■ Remove the battery and replace the new cutting line, follow the section "Line replacement" in this manual. ■ Remove the battery, reload the cutting line, follow the section "Line replacement" in this manual. ■ Use recommended nylon cutting line with diameter 2.4-2.7mm.
Grass wraps around the trimmer head and motor housing.	<ul style="list-style-type: none"> ■ Cutting tall grass at ground level. 	<ul style="list-style-type: none"> ■ Cut tall grass from the top down, removing no more than 20 cm in each pass to prevent wrapping.
The blade is not cutting the line.	<ul style="list-style-type: none"> ■ The line-cutting blade on the edge of the guard has become dull. 	<ul style="list-style-type: none"> ■ Sharpen the line-cutting blade with a file or replace it with a new blade.
Cracks on the trimmer head	<ul style="list-style-type: none"> ■ The trimmer head is worn out. 	<ul style="list-style-type: none"> ■ Replace the trimmer head immediately; follow the section "TRIMMER HEAD REPLACEMENT" in this manual.

WARRANTY

EGO WARRANTY POLICY

Please visit the website egopowerplus.eu for full terms and conditions of the EGO Warranty policy.