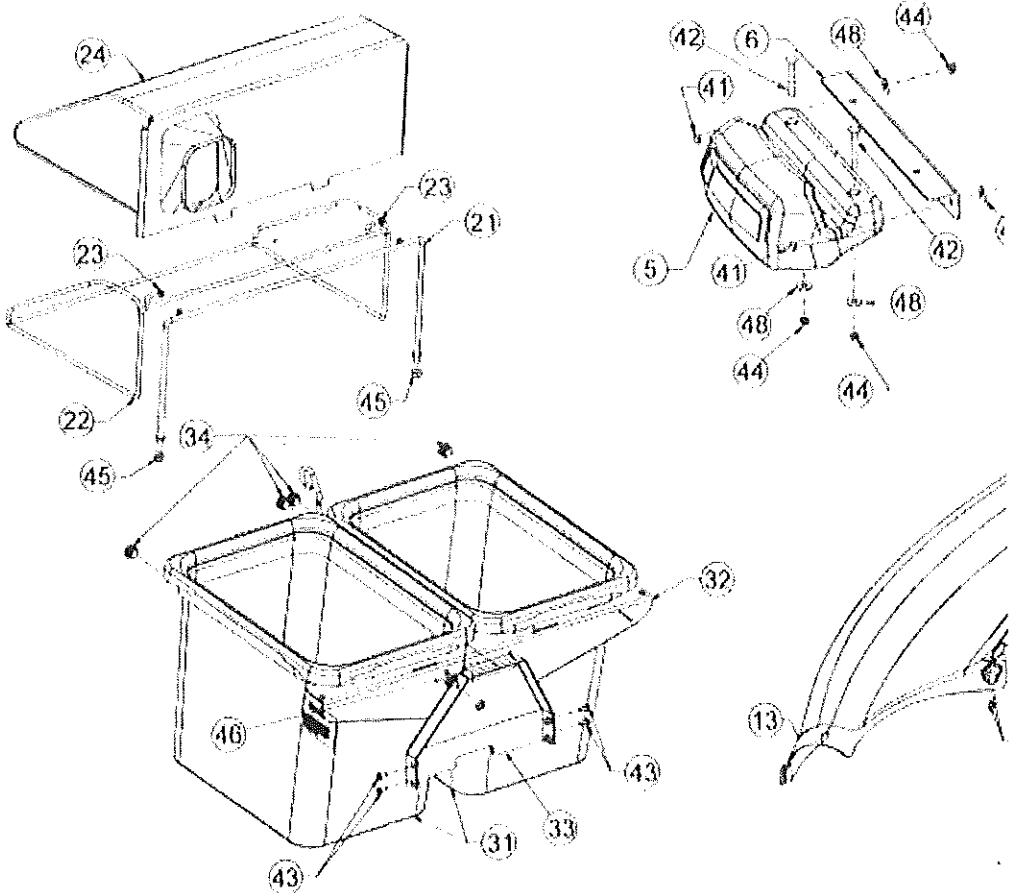


SEARCH FOR '19A30014OEM' > FOR RIDERS WITH MOWING DECK
30"76CM > 19A30014OEM (2015) > WEIGHT, LOWER DISCHARGE CHUTE, GRASS BAG



Item	Part number	#	Description	Dimension
5	731-09227	1	COUNTER WEIGHT	731-09227
6	783-08135	1		
11	728-0123	2	POP RIVET 3/16 DIA x.450:STY1	FINISH:VERZINKT SIEHE ZG
12	783-07286A	1		
13	731-09351A	1		
21	683-04771	1		
22	683-04772	1		
23	726-0100	2	CAP	FINISH:PHOS & OIL 926-0100
24	764-04148B	1	GRASSCATCHER TOP	764-04148B
31	664-04167	2	HOPPER BAG	664-04167
32	683-04775	1		
33	683-05137	1	STRAP RETAINER	683-05137
34	735-0246A	4	KNOB	735-0246A
41	710-0378	2	HHCS:5/16-18:2.50:GR5:STD	FINISH:MTD SPEC 701-01000
42	710-0572	2	BOLT:CRG:5/16-18:2.50:GR1	FINISH:MTD SPEC-100015
43	710-1260A	4	SCR:TT:5/16-18:0.750:HXINDWSH	LAGERGEH.MESSERWELLE:701-01002
44	712-04063	4	FLANGED NUT 5/16-18:GRF:NYLON	FINISH:MTD STD SPEC-101616
45	712-04150	2	NUT:FLGLK:1/2-13:GRF:NYLON	FINISH:MTD STD 701-01000
46	720-04061	1	KNOB:3/8-16:.875	FINISH:PP SCHWARZ
48	736-0159	4	WASH .349 ID X .879 OD X .063	FINISH:701-01000