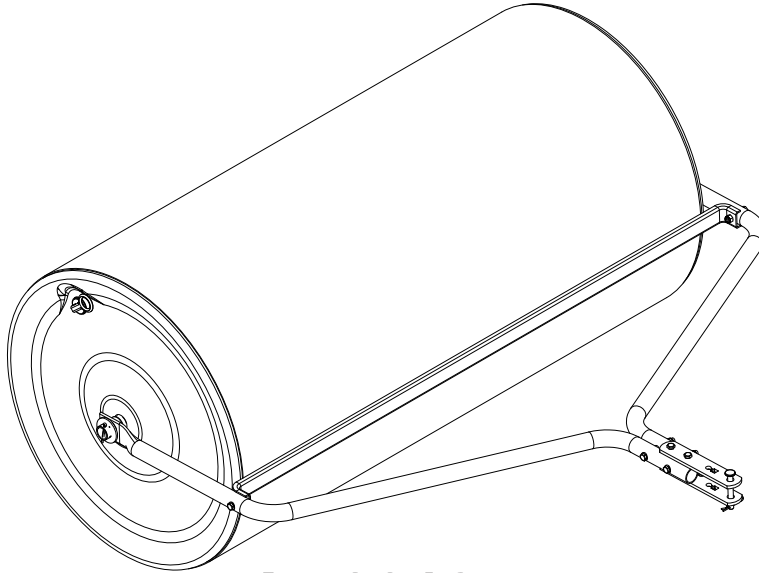


# Agri-Fab®

## Lawn Care Made Easy®



### 45-02167

Want more information or assembly tips?



**Video  
Instruction  
Guide**

[youtube.com/c/agrifab](https://youtube.com/c/agrifab)

## SAFETY PRECAUTIONS

1. **Never** attach a garden hose to the fill/drain hole when filling. Dangerous pressure build up could occur inside roller.
2. **Never** fill roller to maximum weight without checking capability of vehicle to safely pull and stop. Refer to the towing vehicle owners manual.
3. **Never** use roller up and down hills; always work across hills and slopes.
4. **Never** use roller on slopes greater than 10°. Refer to included Slope Guide.
5. **Never** allow children to operate towed equipment.
6. **Never** allow children or others on towed equipment
7. **Always** use caution when turning, slowing, or stopping.
8. **Always** drain roller to keep from freezing.
9. **Always** keep the area clear of bystanders; paying close attention to children and pets.

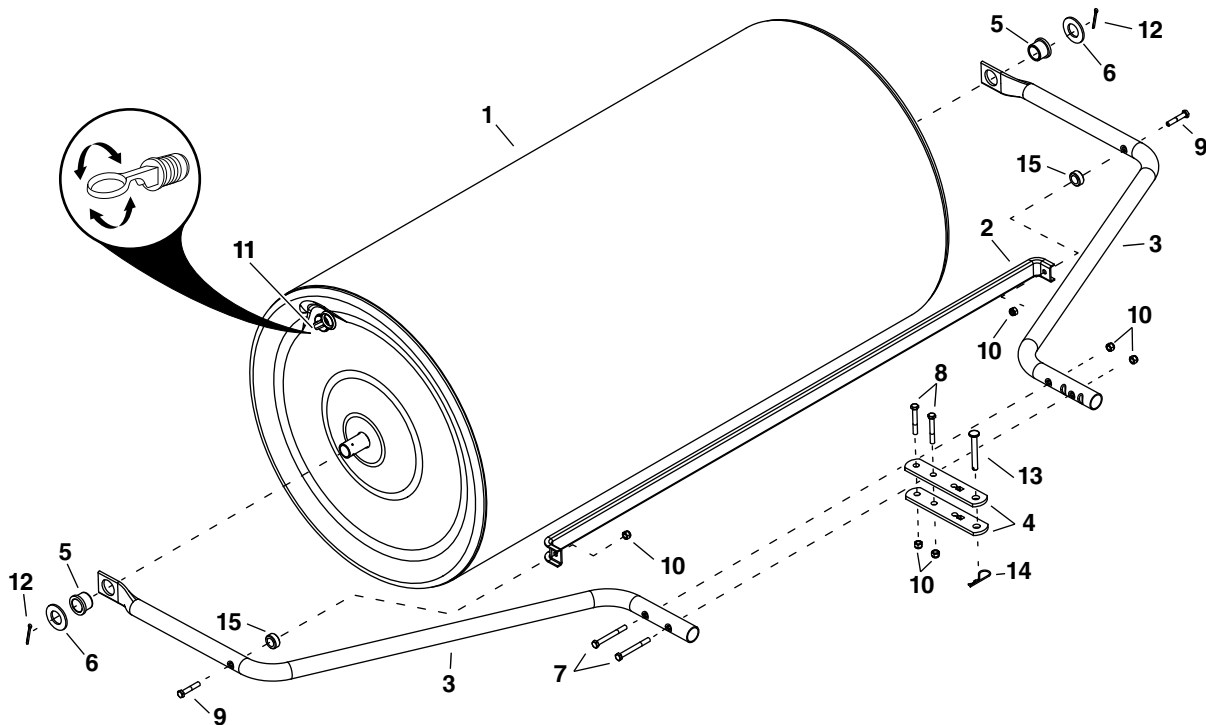
## SPECIFICATIONS

<b>Roller Drum:</b>	24" Dia. x 48" Wide, Welded Steel
<b>O.A. Width:</b>	Approximately 52"
<b>Bearings:</b>	1" I.D., Replaceable
<b>Tow Hitch:</b>	Std. Pin Type - 1/2" Hole
<b>Weight w/ Water:</b>	Up to 910 Lbs. Filled with Water
<b>Approx. Sh. Wt.:</b>	Approximately 114 Lbs.

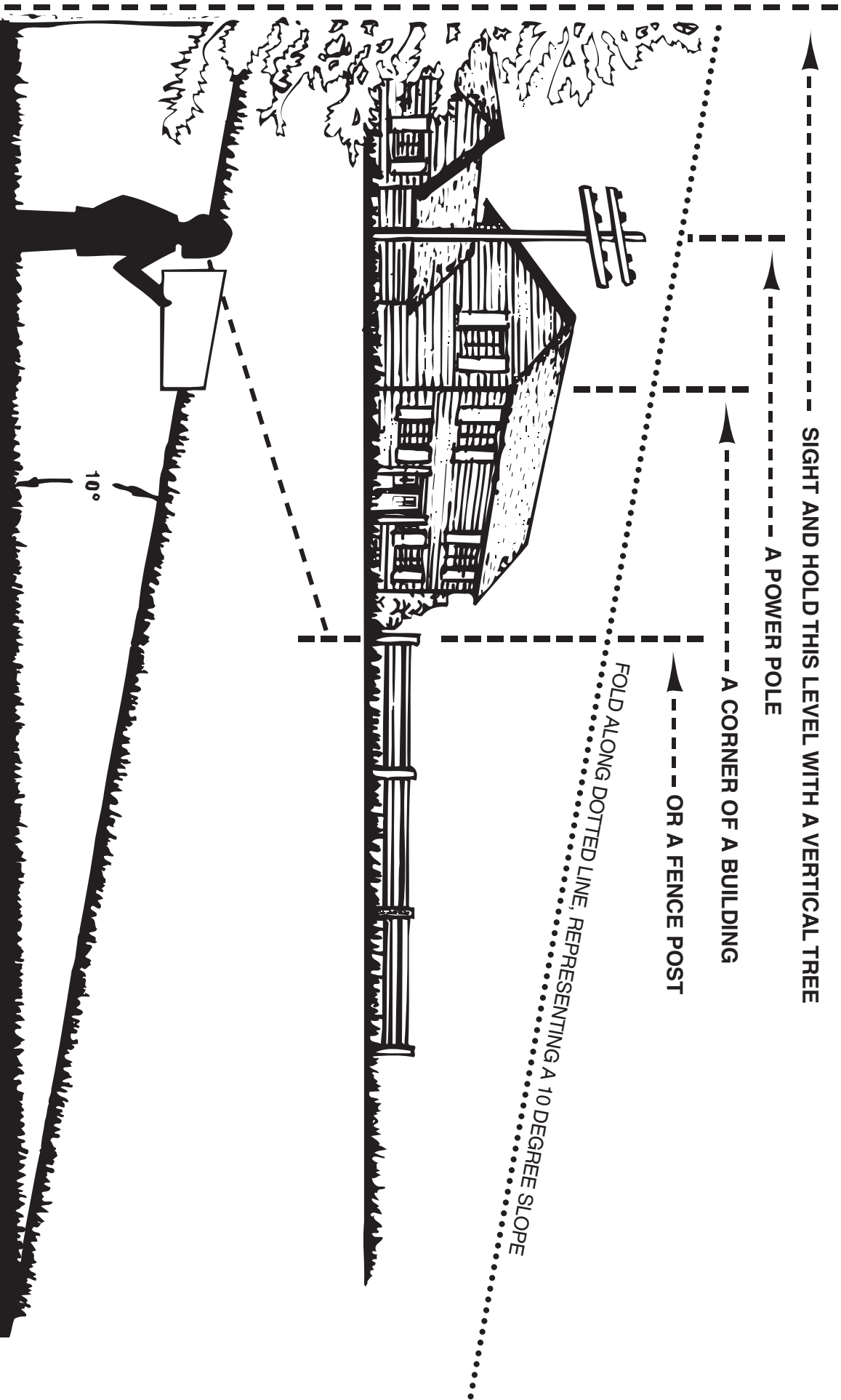
# ASSEMBLY INSTRUCTIONS

(SEE ILLUSTRATION BELOW)

1. Assemble bearings (Ref. 5) into hitch tubes (Ref. 3) so that bearing flange is against outside of hitch tube. *You may need to place a block of wood against bearing and carefully tap with a hammer.*
2. Place hitch tubes (Ref. 3) onto both ends of roller shaft. Assemble a flat washer (Ref. 6) onto each end of roller shaft and secure with two cotter pins (Ref. 12).
3. Assemble scraper bar (Ref. 2) to hitch tubes (Ref. 3) using two hex bolts (Ref. 9) and hex lock nuts (Ref. 10). **Do not tighten yet.**
4. Assemble ends of hitch tubes (Ref. 3) together using two hex bolts (Ref. 7) and hex lock nuts (Ref. 10). **Do not tighten yet.**
5. Assemble hitch brackets (Ref. 4) to hitch tubes (Ref. 3) using two hex bolts (Ref. 8) and hex lock nuts (Ref. 10). **Do not tighten yet.**
6. **Tighten** bolts and nuts starting with scraper bar (Ref. 2), then ends of hitch tubes (Ref. 3), and finally hitch brackets (Ref. 4).
7. Install hitch pin (Ref. 13) through hitch brackets (Ref. 4) and secure with hair cotter pin (Ref. 14).
8. Adjust plug (Ref. 11) size by twisting handle. Lock a plug in each end of roller drum by flipping handle down.



Ref. No.	Part No.	Qty.	Description	Ref. No.	Part No.	Qty.	Description
1	-----	1	Roller Drum (Not sold separately)	8	43224	2	Hex Bolt, 5/16-18 x 2-1/4"
2	24868	1	Scraper Bar	9	43084	2	Hex Bolt, 5/16-18 x 1-3/4"
3	48376	2	Hitch Tube	10	47810	6	Hex Lock Nut, 5/16-18
4	24192	2	Hitch Bracket	11	49467	2	Plug, Lawn Roller
5	43632	2	Bearing, Plastic	12	43501	2	Cotter Pin, 5/32" x 1-1/2"
6	43528	2	Flat Washer, 1"	13	47623	1	Hitch Pin
7	46782	2	Hex Bolt, 5/16-18 x 3"	14	43343	1	Hair Cotter Pin 1/8"
				15	23625	2	Spacer



***SpeedPart*** *the fastest way to purchase parts* [www.speedepart.com](http://www.speedepart.com)

**REPAIR PARTS**  
Agri-Fab, Inc.  
809 South Hamilton  
Sullivan, IL 61951  
217-728-8388  
[www.agri-fab.com](http://www.agri-fab.com)