

**Robert Bosch Power Tools GmbH**  
70538 Stuttgart  
GERMANY

[www.bosch-garden.com](http://www.bosch-garden.com)

F 016 L81 507 (2016.09) 0 / 273



3 165140 8 15079

**AFS 23-37**



**BOSCH**

<b>de</b>	Originalbetriebsanleitung	<b>el</b>	Πρωτότυπο οδηγίων χρήσης
<b>en</b>	Original instructions	<b>tr</b>	Orijinal işletme talimatı
<b>fr</b>	Notice originale	<b>pl</b>	Instrukcja oryginalna
<b>es</b>	Manual original	<b>cs</b>	Původní návod k používání
<b>pt</b>	Manual original	<b>sk</b>	Pôvodný návod na použitie
<b>it</b>	Istruzioni originali	<b>hu</b>	Eredeti használati utasítás
<b>nl</b>	Oorspronkelijke gebruiksaanwijzing	<b>uk</b>	Оригінальна інструкція з експлуатації
<b>da</b>	Original brugsanvisning	<b>ro</b>	Instrucțiuni originale
<b>sv</b>	Bruksanvisning i original	<b>bg</b>	Оригинална инструкция
<b>no</b>	Original driftsinstruks	<b>mk</b>	Оригинално упатство за работа
<b>fi</b>	Alkuperäiset ohjeet		

<b>sr</b>	Originalno uputstvo za rad
<b>sl</b>	Izvirna navodila
<b>hr</b>	Originalne upute za rad
<b>et</b>	Algupärane kasutusjuhend
<b>lv</b>	Instrukcijas oriģinālvalodā
<b>lt</b>	Originali instrukcija
<b>ar</b>	تعليمات التشغيل الأصلية
<b>fa</b>	دقتنه راهنمای اصلی



Symptome	Mögliche Ursache	Abhilfe
Schneidblatt dreht sich nicht	Schneidblatt zugesezt	Unterseite des Gartengerätes prüfen und ggf. frei machen (tragen Sie immer Gartenhandschuhe)
	Schneidblattnutter lose	Schneidblattnutter anziehen, darauf achten, dass Schneidblatt, Laufsteller und Druckscheibe zentriert montiert sind (tragen Sie immer Gartenhandschuhe) (siehe Bild 3)
	Gras zu hoch, zu dicht	Gras zu hoch: in Etappen schneiden Gras zu dicht: mit weniger Schneidbreite je Schneidvorgang arbeiten
Schlechte Schneidleistung	Schutzhaube verschmutzt	Schutzhaube innen reinigen
	Schneidblatt stumpf	Schneidblatt drehen/wechseln
	Kein Mähfaden	Mähfaden nachfüllen

Wenn Sie das Problem mit Hilfe der Fehlersuchtable nicht lösen können, wenden Sie sich bitte an Ihren Händler.

## Kundendienst und Anwendungsberatung

### www.bosch-garden.com

Geben Sie bei allen Rückfragen und Ersatzteilbestellungen bitte unbedingt die 10-stellige Sachnummer laut Typenschild des Gartengerätes an.

#### Deutschland

Robert Bosch Power Tools GmbH  
Servicezentrum Elektrowerkzeuge  
Zur Luhne 2  
37589 Kalefeld – Willershausen  
Unter [www.bosch-pt.de](http://www.bosch-pt.de) können Sie online Ersatzteile bestellen oder Reparaturen anmelden.  
Kundendienst: Tel.: (0711) 40040480  
Fax: (0711) 40040481  
E-Mail: [Servicezentrum.Elektrowerkzeuge@de.bosch.com](mailto:Servicezentrum.Elektrowerkzeuge@de.bosch.com)  
Anwendungsberatung: Tel.: (0711) 40040480  
Fax: (0711) 40040482  
E-Mail: [kundenberatung.ew@de.bosch.com](mailto:kundenberatung.ew@de.bosch.com)

#### Österreich

Unter [www.bosch-pt.at](http://www.bosch-pt.at) können Sie online Ersatzteile bestellen.  
Tel.: (01) 797222010  
Fax: (01) 797222011  
E-Mail: [service.elektrowerkzeuge@at.bosch.com](mailto:service.elektrowerkzeuge@at.bosch.com)

#### Schweiz

Unter [www.bosch-pt.com/ch/de](http://www.bosch-pt.com/ch/de) können Sie online Ersatzteile bestellen.  
Tel.: (044) 8471511  
Fax: (044) 8471551  
E-Mail: [AfterSales.Service@de.bosch.com](mailto:AfterSales.Service@de.bosch.com)

#### Luxemburg

Tel.: +32 2 588 0589  
Fax: +32 2 588 0595  
E-Mail: [outillage.gereedschap@be.bosch.com](mailto:outillage.gereedschap@be.bosch.com)

## Entsorgung

Werfen Sie Gartengeräte nicht in den Hausmüll!

### Nur für EU-Länder:



Gemäß der Europäischen Richtlinie 2012/19/EU über Elektro- und Elektronik-Altgeräte und ihrer Umsetzung in nationales Recht müssen nicht mehr gebrauchsfähige Elektro- und Elektronikgeräte getrennt gesammelt und einer umweltgerechten Wiederverwertung zugeführt werden.

Änderungen vorbehalten.

## English

### Safety Notes

#### Explanation of symbols on the machine



General hazard safety alert.



Read instruction manual.



Pay attention that bystanders are not injured through foreign objects thrown from the machine.

## 12 | English



Warning: Keep a safe distance from the machine when operating.



Beware of Blade Thrust and Kick Back.



Remove the plug before adjusting or cleaning, before leaving the machine unattended for any period, or if the supply or extension cables become damaged or entangled.



Wear eye and ear protection.



Wear hard hat.



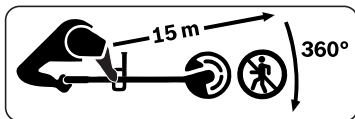
Wear protective gloves.



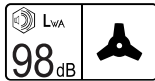
Wear foot protection.



Do not use the machine in the rain or leave it outdoors when it is raining.



Beware of thrown or flying objects. Keep bystanders a safe distance from the machine when operating.



Typical the A-weighted noise levels of the product with blade fitted.



Typical the A-weighted noise levels of the product with spool fitted.

**General Power Tool Safety Warnings**

**⚠ WARNING Read all safety warnings and all instructions.** Failure to follow the warnings and instructions may result in electric shock, fire and/or serious injury.

**Save all warnings and instructions for future reference.**

**Save all warnings and instructions for future reference.**

- ▶ Before use check the supply and extension cables for signs of damage or aging. If they become damaged during use, disconnect them from the supply immediately. **DO NOT TOUCH THEM BEFORE DISCONNECTING THE SUPPLY.** Do not use the garden product if the cables are damaged or worn.
- ▶ If the supply cable on the machine is damaged, it must be replaced by the manufacturer, its service agent or similarly qualified persons in order to avoid a hazard.
- ▶ Before use, perform a visual inspection in order to identify any significant damage or defects. This inspection must also be completed if the tool is dropped or subjected to any significant impacts.
- ▶ **It is recommended for increased electrical safety to use a Residual Current Device (RCD) with a tripping current of not more than 30 mA. Always check your RCD every time you use it.**
- ▶ Always ensure tool ventilation openings are kept free of debris.

## Operation

- ▶ For assembly of tool follow illustrations, for disassembly reverse the assembly procedure.
- ▶ Remove blade cover before use.
- ▶ Do not cut walls.
- ▶ Never allow children or people unfamiliar with these instructions to use the machine. Local regulations may restrict the age of the operator. When not in use store the machine out of reach of children.
- ▶ This machine is not intended for use by persons (including children) with reduced physical, sensory or mental capabilities, or lack of experience and knowledge, unless they have been given supervision or instruction concerning use of the machine by a person responsible for their safety. Children should be supervised to ensure that they do not play with the machine.
- ▶ Never work while people, especially children, or pets are nearby.
- ▶ The operator or user is responsible for accidents or hazards occurring to other people or their property.
- ▶ Always wear long heavy trousers, boots and gloves. Do not wear loose clothing, jewellery, short trousers, sandals and never work barefoot.
- ▶ Thoroughly inspect the area where the machine is to be used and remove all stones, sticks, wires, bones and other foreign objects.
- ▶ Do not operate in areas where live cables may be present.
- ▶ Before using, always visually inspect to see that the blade or blade nut are not worn or damaged. Replace worn or damaged blade and nut in sets to preserve balance.
- ▶ Work only in daylight or in good artificial light.
- ▶ Avoid operating the machine in bad weather conditions especially when there is a risk of lightning.
- ▶ For your safety, please take care whilst operating the machine in wet grass/brush.
- ▶ Walk, never run and stay in a stable position.
- ▶ Keep firm footing and balance. Do not overreach.
- ▶ Always wear ear and eye protection when operating the machine.
- ▶ Wear eye protection which is marked to comply with EN 166 as well as hearing protection when using this machine.
- ▶ Never operate the machine with missing or broken guards, barriers or shields.
- ▶ Do not operate tool with the metal cutting blade in close proximity to the mains/extension cable.
- ▶ Always check for signs of wear or damage before and after use.
- ▶ If a fault occurs consult troubleshooting section.
- ▶ If an accident occurs, unplug machine from mains supply before attending to the accident.
- ▶ Never operate the product when you are tired, ill or under the influence of alcohol, drugs or medicine.

## 14 | English

► **Working on banks can be dangerous.**

- Do not work on excessively steep slopes.
- Always be sure of your footing on slopes or wet grass.
- Work across the face of slopes – never up and down.
- Exercise extreme caution when changing direction on slopes.

► Keep hands and feet away from the cutting means at all times, especially when switching on the motor.

► Switch off when transporting the machine to and from the area to be worked on.

► Switch off and remove the plug from the socket:

- whenever you leave the machine unattended for any period,
- before clearing a blockage,
- if the cable is tangled,
- before replacing the cutting head,
- before checking, cleaning or working on the machine,
- after striking a foreign object. Inspect the machine for damage and make repairs as necessary,
- if the machine starts to vibrate abnormally (check immediately).

► **Wait until the cutting head has completely stopped before touching it. The head continues to rotate after the machine is switched off, the cutting system can cause injury/damage.**

► **Do not modify this product.** Unauthorized modifications may impair the safety of your product and may

result in increased noise and vibration.

► Store the garden product in a secure, dry place out of reach of children. Do not place other objects on top of the garden product.

► **Use only the Bosch garden tool accessories recommended and approved to be used on this machine. (see Fig. 14)**

► Prolonged use of a power tool (or other machines) exposing the operator to vibrations may produce white finger disease (Raynaud's phenomenon) or carpal tunnel syndrome.

► These conditions reduce the hand's ability to feel and regulate temperature, produce numbness and burning sensations and may cause nerve and circulation damage and tissue necrosis.

► Contact your doctor if you experience symptoms of overexposure to vibration. These symptoms include numbness, loss of feeling, tingling, pricking, pain, loss of strength, changes in skin colour or condition. These symptoms normally appear in the fingers, hands or wrists.

► Always use the tool for correct applications. Ensure only dedicated front and rear handles are used to hold the tool and if necessary restrict working time.

► Beware that the tool may kick back when a blade suddenly strikes a hard object when cutting brush or scrub vegetation. Take care to minimise the effects of kick back.

- ▶ This tool is designed to be used with the shoulder harness provided. Take care to adjust the harness to balance the tool correctly and reduce the potential for operator fatigue in use.
- ▶ For Transport and Storage, Blade should be protected using an appropriate cover.
- ▶ Keep supply flexible cords away from cutting means.

### Maintenance

- ▶ **Always wear protective gloves when handling or working near the sharp blades.**
- ▶ **To ensure long and reliable service, carry out the following maintenance regularly:**
  - ▶ Keep all nuts, bolts and screws tight using tool kit provided to be sure that the machine is in safe working conditions.
  - ▶ Examine the machine and replace worn or damaged parts for safety.
  - ▶ **Ensure Bosch approved correct replacement parts are used.**
  - ▶ Have the machine repaired only by an authorized customer service agent.
  - ▶ **Before transport or storage ensure machine is clean and free from debris, if necessary clean with a soft, dry brush.**
  - ▶ Any blockages between the cutting head and guard should be removed. For ease of storage, machine can be separated at tube joiner. (see figure 3)

### Electrical Safety



**Warning! Switch off, remove plug from mains before adjusting, cleaning or if cable is cut, damaged or entangled.**

Your machine is double insulated for safety and requires no earth connection. The operating voltage is 230 VAC, 50 Hz (for non-EU countries 220 V, 240 V as applicable). Only use approved extension cables. Contact your Bosch Service Centre for details.

For increased electrical safety use a Residual Current Device (RCD) with a tripping current of not more than 30 mA. Always check your RCD every time you use it.

Keep the supply cables away from moving hazardous parts and avoid damage to the cables; this can lead to contact with live parts.

The connections (plugs and sockets) should be kept dry and off the ground. The supply cables must be inspected for signs of damage at regular intervals and may only be used if in perfect condition.

If the supply cable on the product is damaged, it must only be replaced by a Bosch Service Centre.

Only use approved extension cables. Extension cords, cables, leads, reels should only be used if they comply with EN 61242/IEC 61242 or IEC 60884-2-7.

## 16 | English

If you want to use an extension cable when operating your product, only the following cable dimensions should be used:

- Nominal Conductor Area of 1.25 mm<sup>2</sup> oder 1.5 mm<sup>2</sup>
- Maximum length of 30 m for a Cord Extension Set or maximum length of 60 m for a Cable Reel with Residual Current Device (RCD)

Note: If an extension cable is used it must be earthed and connected through the plug to the earth cable of your supply network in accordance with prescribed safety regulations.

If in doubt contact a qualified electrician or the nearest Bosch Service Centre.



**WARNING! Inadequate extension cables can be dangerous. Extension cable, plug and socket must be of watertight construction and intended for outdoor use.**

For products **not sold in GB:**

**WARNING:** For your safety, it is required that the plug attached to the product is connected with the extension cord. The coupling of the extension cord must be protected against splash water, be made of rubber or coated with rubber. The extension cord must be used with a cable strain relief.

- ▶ **Products sold in GB only:** Your product is fitted with a BS 1363/A approved electric plug with internal fuse (ASTA approved to BS 1362). If the plug is not suitable for your socket outlets, it should be cut off and an appropriate plug fitted in its

place by an authorised customer service agent. The replacement plug should have the same fuse rating as the original plug.

The severed plug must be disposed of to avoid a possible shock hazard and should never be inserted into a mains socket elsewhere.

**Products sold in AUS and NZ only:** Use a residual current device (RCD) with a rated residual current of 30 mA or less.

## Symbols

The following symbols are important for reading and understanding the operating instructions. Please take note of the symbols and their meaning. The correct interpretation of the symbols will help you to use the garden product in a better and safer manner.

Symbol	Meaning
	Movement direction
	Reaction direction
	Switching On
	Switching Off
	Accessories/Spare Parts
	Disposal

## Intended Use

The machine is intended for clearing brambles/brush, cutting saplings, trimming, thinning, clearing weeds, cutting long grass and clearing nettles in domestic and hobby gardens.

## Technical Data

Brushcutter		AFS 23-37
Article number		3 600 HA9 ...
Rated power input	W	950
No-load speed		
blade	min <sup>-1</sup>	7000
line	min <sup>-1</sup>	6000
Cutting width line	cm	37
Cutting width blade	cm	23

The values given are valid for a nominal voltage [U] of 230 V. For different voltages and models for specific countries, these values can vary.

Brushcutter		AFS 23-37
Line diameter	mm	3.5
Line type		twisted
Blade type		3 prong
Adjustable handle		Yes
Weight according to EPTA-Procedure 01:2014	kg	5.2
Protection class		□ / II
Serial number		see type plate on the garden product

The values given are valid for a nominal voltage [U] of 230 V. For different voltages and models for specific countries, these values can vary.

## Noise/Vibration Information

Sound emission values determined according to EN 50636-2-91.		line	Blade
Typically the A-weighted noise levels of the product are:			
Sound pressure level	dB(A)	82.5	82.6
Sound power level	dB(A)	93.5	96.0
Uncertainty K	dB	= 1.5	= 1.5
<b>Wear hearing protection!</b>			
Vibration total values $a_h$ (triax vector sum) and uncertainty K determined according to EN 50636-2-91:			
Vibration emission value $a_h$	m/s <sup>2</sup>	3.5	4.4
Uncertainty K	m/s <sup>2</sup>	= 1.5	= 1.5

## Mounting and Operation

- ▶ **Do not connect the machine to the mains socket before it is completely assembled.**
- ▶ **The cutting head continues to rotate for a few seconds after the brushcutter is switched off. Allow the cutting head to stop rotating before switching "on" again.**
- ▶ **Do not rapidly switch off and on.**
- ▶ **Remove any grass from cutting head cover when changing cutting head.**
- ▶ **Only use Bosch approved cutting elements. Cutting performance will vary with different cutting elements.**

The numbering of the figures refer to the illustrations of the machine on the graphics page.

Action	Figure	Page
Delivery scope	1	255
Mounting the blade guard	2	256
Connecting the shaft	3	256
Mounting the fixed line head and the cutting line	4	257
Attaching the blade	5	258–259

Action	Figure	Page
Mounting the barrier/operating advice for right-handers	6	260
Mounting the barrier/operating advice for left-handers	7	260
Attaching the shoulder strap		
Adjusting handle length	8	261
Connecting the extension lead	9	261
Switching on and off	10	262
Working advice	11	262
Cleaning	12	263
Cutting line storage	13	264
Selecting accessories	14	264



18 | English

**Working Advice**

Usage application area	Cutting system
Clearing brambles/brush	blade
Cutting saplings	blade

Usage application area	Cutting system
Trimming/thinning	line
Clearing weeds	line/blade
Cutting long grass	line
Clearing nettles	line/blade

**Troubleshooting**

Problem	Possible Cause	Corrective Action
Machine fails to operate	Power turned off	Turn power on
	Mains socket faulty	Use another socket
	Extension cable damaged	Inspect cable, replace if damaged
	Fuse faulty/blown	Replace fuse
	Thermal cut out	Allow tool to cool and try again
Machine functions intermittently	Extension cable damaged	Inspect cable, replace if damaged Contact Service Agent
	Internal wiring of machine damaged	Contact Service Agent
Machine does not cut	Cutting blade/line damaged	Replace the blade/line (always wear protective gloves)
Increased vibration	Cutting blade damaged	Replace the blade (always wear protective gloves)
	Cutting line broken	Replace line
	Debris build up on cutting head	Clean cutting head and remove debris
	Blade nut loose	Tighten nut bolt to 20 Nm ensuring the blade, nut shield and dome washer are all present and central (always wear protective gloves)
	Cutting blade incorrectly fitted	Remove cutting blade and refit in a fully central position. Use guide rings on the blade to ensure correct central alignment
Machine leaves ragged finish and/or labours	Grass too high/dense	Grass too high: Cut in stages Grass too dense: Reduce rate of cutting every time
	Cutting blade blunt	Flip/replace blade
	Cutting blade obstructed	Check underneath the machine and clear out as necessary (always wear protective gloves)
	Debris build up on cutting head	Clean cutting head and remove debris
Nut cannot be removed to release cutting blade	Damaged thread on nut/shaft	Lubricate shaft to aid removal
	Locking pin not located correctly	Reinsert locking pin and apply light pressure whilst rotating shaft



Problem	Possible Cause	Corrective Action
Cutting blade fails to rotate	Cutting blade obstructed	Check underneath the machine and clear out as necessary (always wear protective gloves)
	Blade nut loose	Tighten nut ensuring the blade, rider plate and dome washer are all present and central (always wear protective gloves) (see figure 3)
	Grass too high/dense	Grass too high: Cut in stages Grass too dense: Reduce rate of cutting every time
Poor cutting performance	Cutting guard encrusted with debris	Clean inside of cutting guard
	Cutting blade blunt	Flip/replace blade
	No cutting line	Replenish line

If you are unable to resolve the problem using the troubleshooting guide then please contact your dealer in the first instance.

## After-sales Service and Application Service

### www.bosch-garden.com

In all correspondence and spare parts orders, please always include the 10-digit article number given on the type plate of the garden product.

#### Great Britain

Robert Bosch Ltd. (B.S.C.)  
P.O. Box 98  
Broadwater Park  
North Orbital Road  
Denham  
Uxbridge  
UB 9 5HJ

At [www.bosch-pt.co.uk](http://www.bosch-pt.co.uk) you can order spare parts or arrange the collection of a product in need of servicing or repair.

Tel. Service: (0344) 7360109

E-Mail: [boschservicecentre@bosch.com](mailto:boschservicecentre@bosch.com)

#### Ireland

Origo Ltd.  
Unit 23 Magna Drive  
Magna Business Park  
City West  
Dublin 24  
Tel. Service: (01) 4666700  
Fax: (01) 4666888

#### Australia, New Zealand and Pacific Islands

Robert Bosch Australia Pty. Ltd.  
Power Tools  
Locked Bag 66  
Clayton South VIC 3169  
Customer Contact Center  
Inside Australia:  
Phone: (01300) 307044  
Fax: (01300) 307045  
Inside New Zealand:  
Phone: (0800) 543353  
Fax: (0800) 428570  
Outside AU and NZ:  
Phone: +61 3 95415555  
[www.bosch.com.au](http://www.bosch.com.au)

#### Republic of South Africa

**Customer service**  
Hotline: (011) 6519600

#### Gauteng – BSC Service Centre

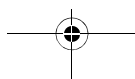
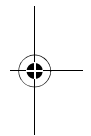
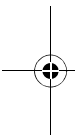
35 Roper Street, New Centre  
Johannesburg  
Tel.: (011) 4939375  
Fax: (011) 4930126  
E-Mail: [bsctools@icon.co.za](mailto:bsctools@icon.co.za)

#### KZN – BSC Service Centre

Unit E, Almar Centre  
143 Crompton Street  
Pinetown  
Tel.: (031) 7012120  
Fax: (031) 7012446  
E-Mail: [bsc.dur@za.bosch.com](mailto:bsc.dur@za.bosch.com)

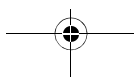
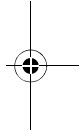
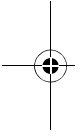
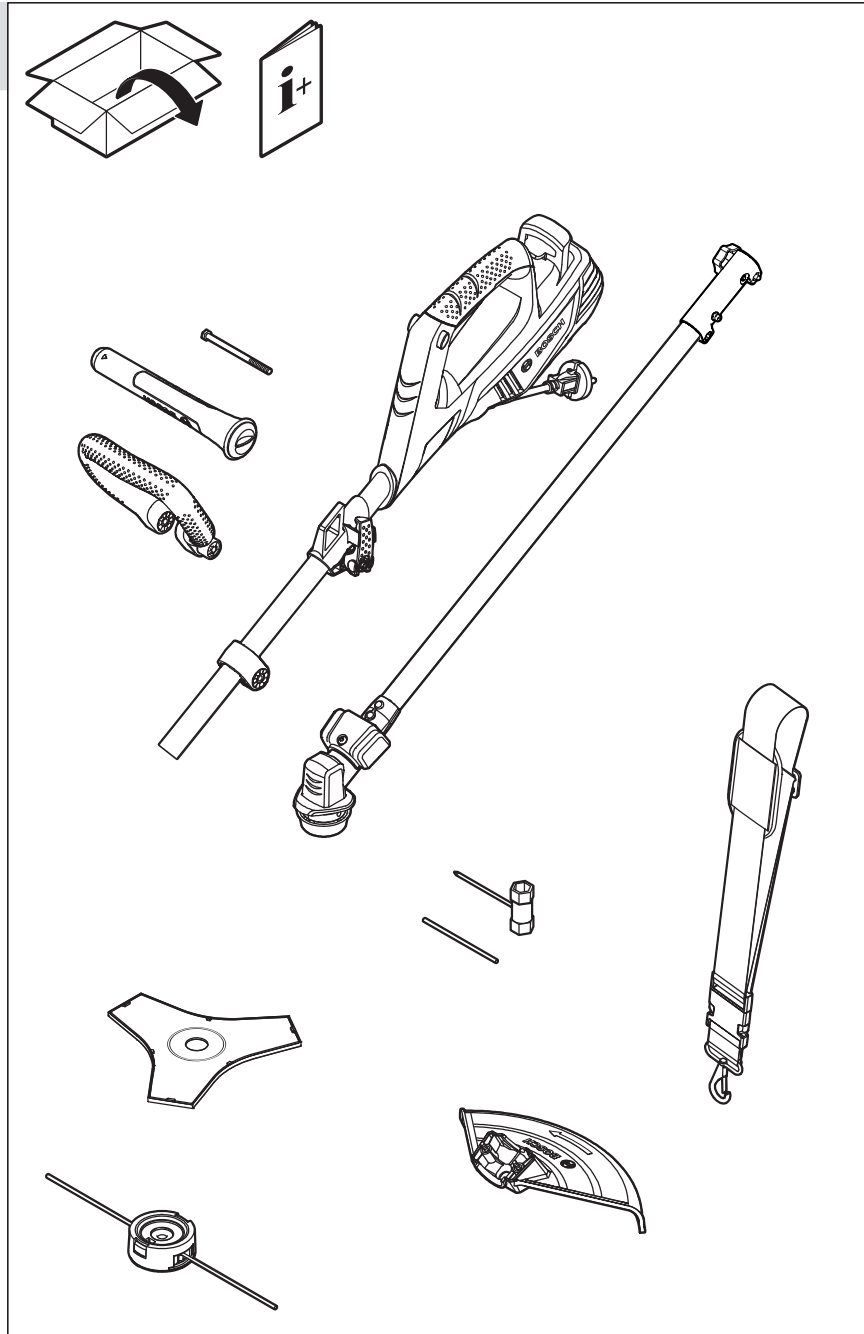
#### Western Cape – BSC Service Centre

Democracy Way, Prosperity Park  
Milnerton  
Tel.: (021) 5512577  
Fax: (021) 5513223  
E-Mail: [bsc@zsd.co.za](mailto:bsc@zsd.co.za)



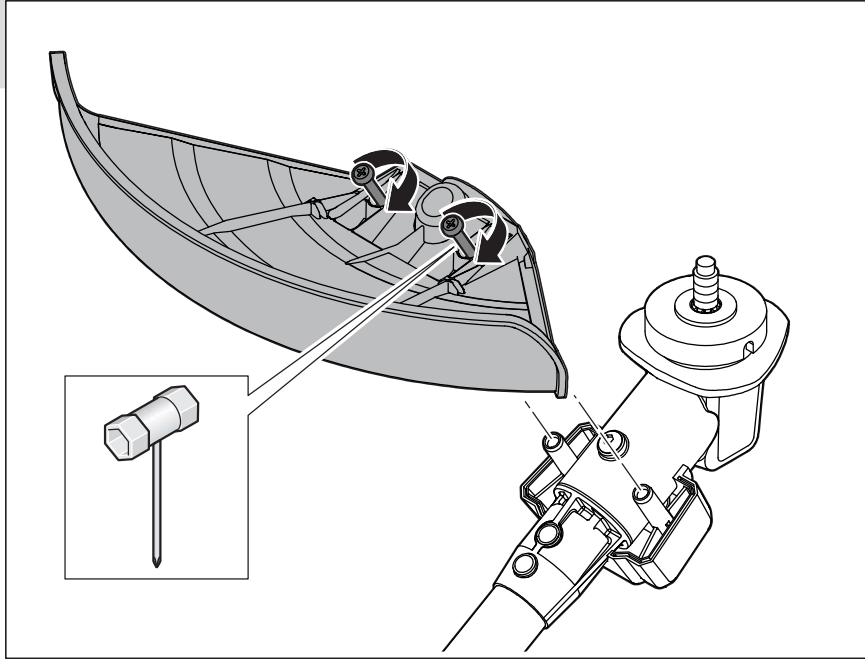


1

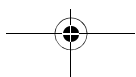
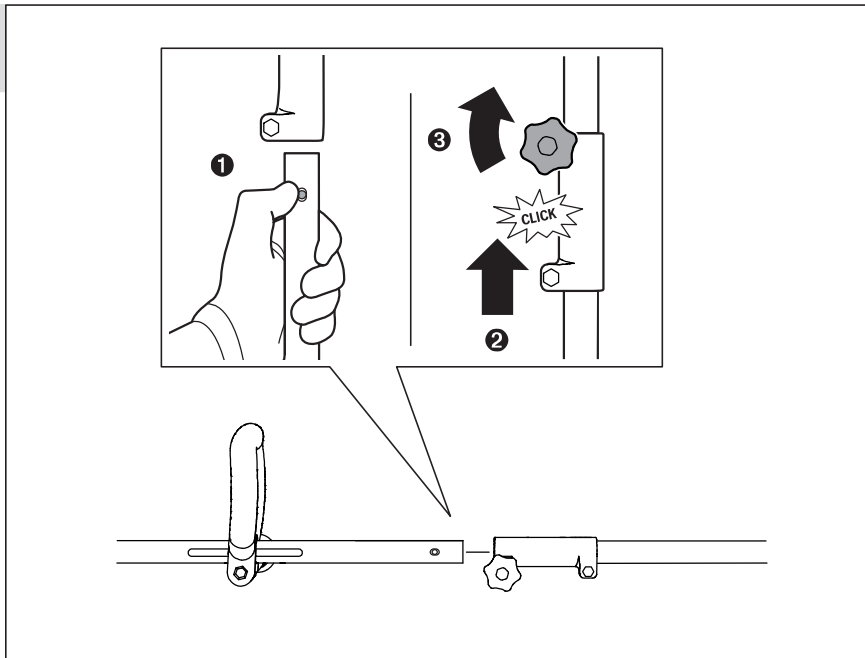




2

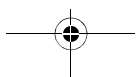
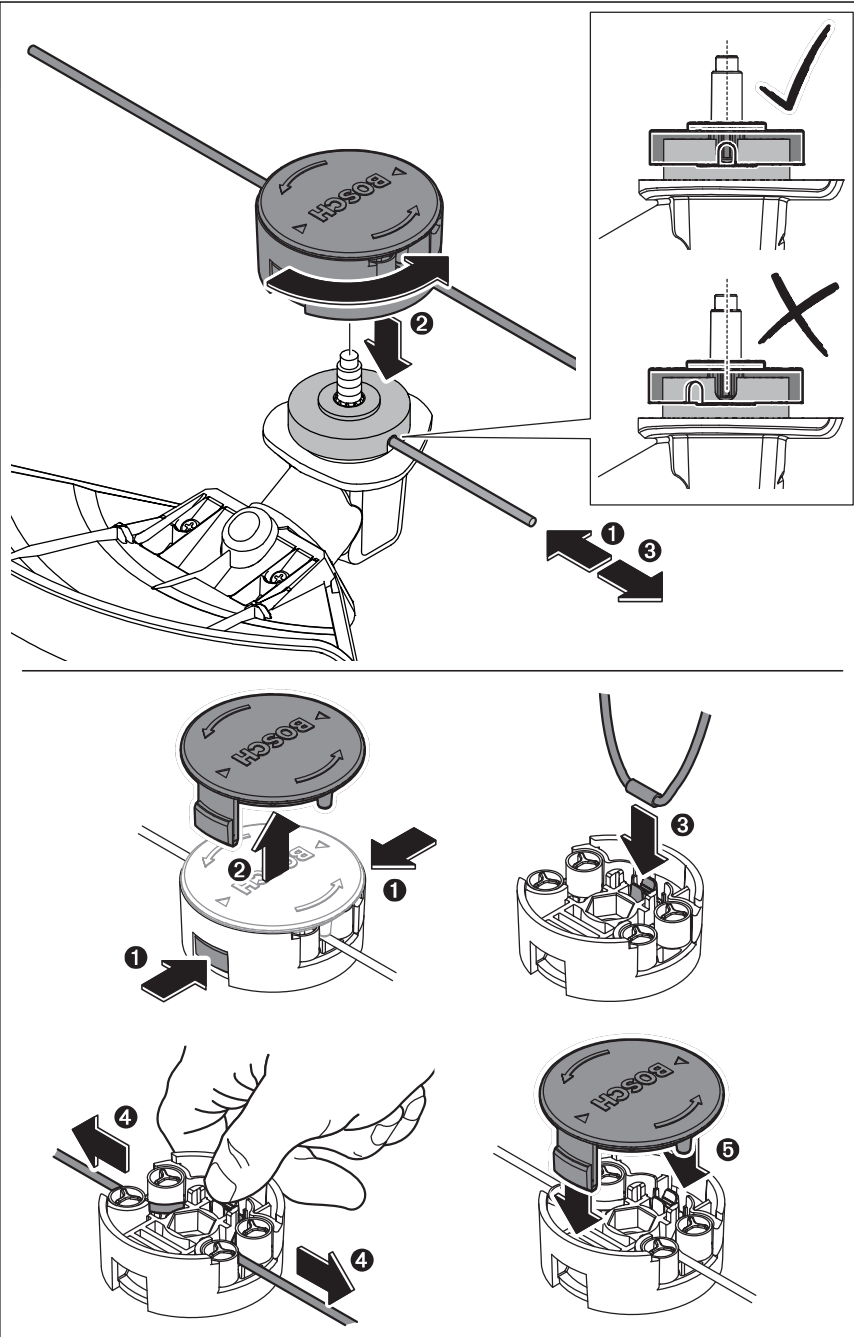


3

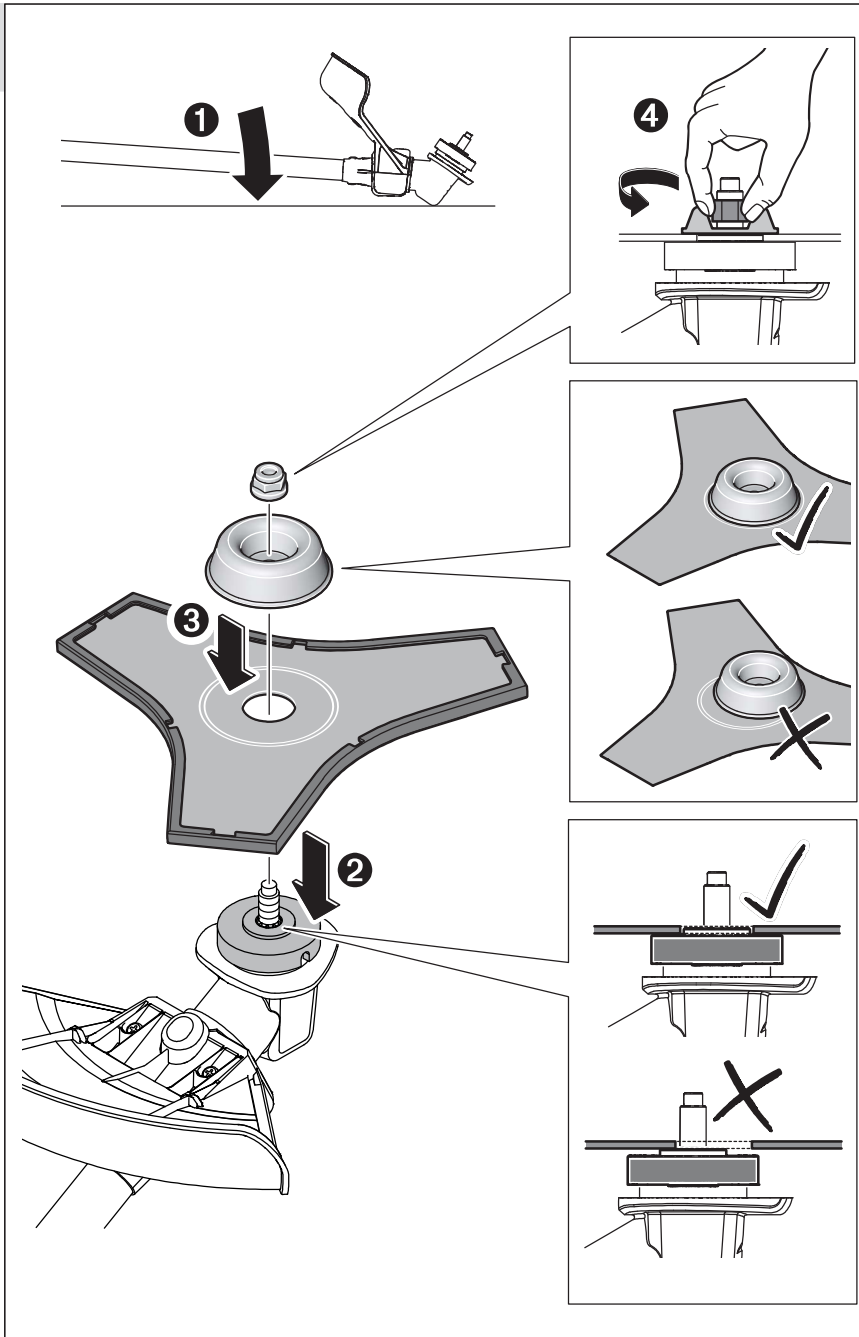


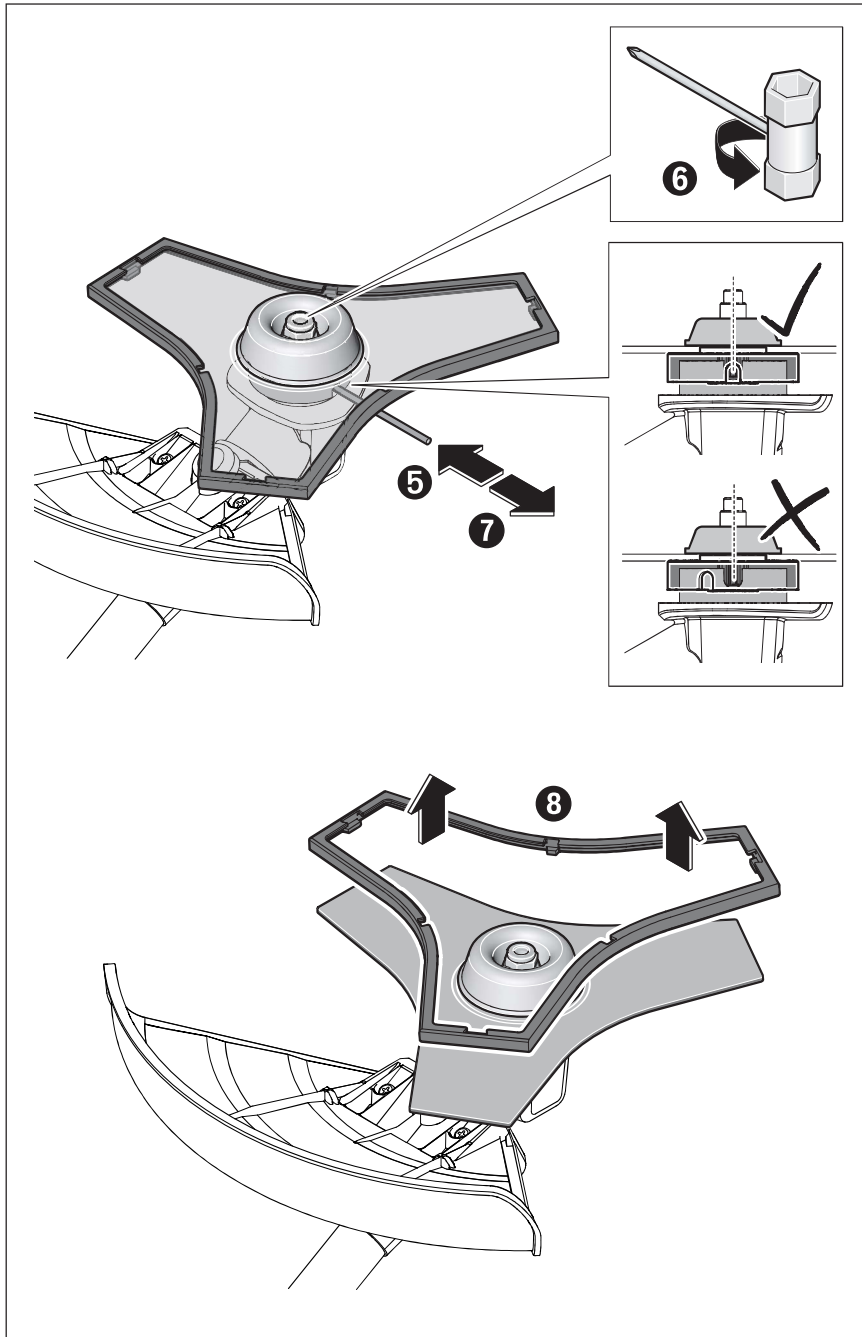


4



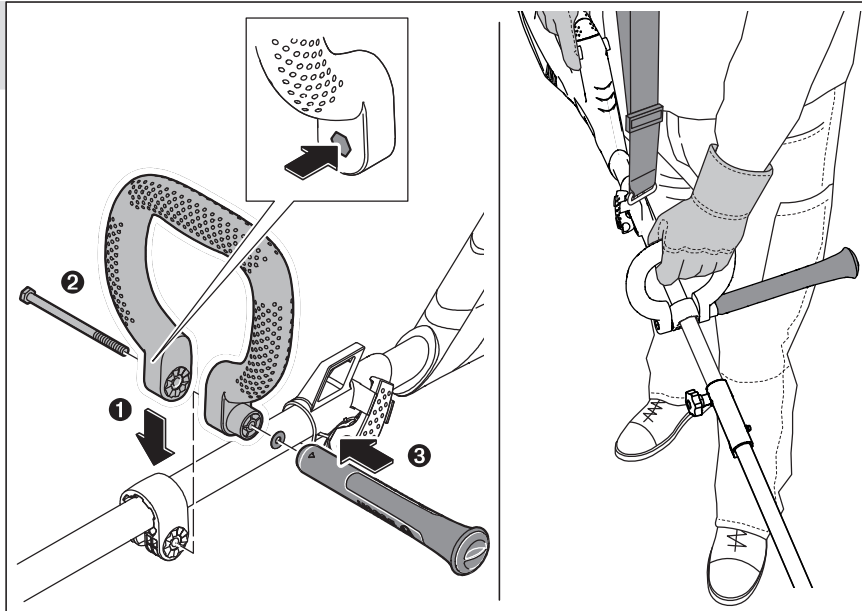
5



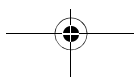
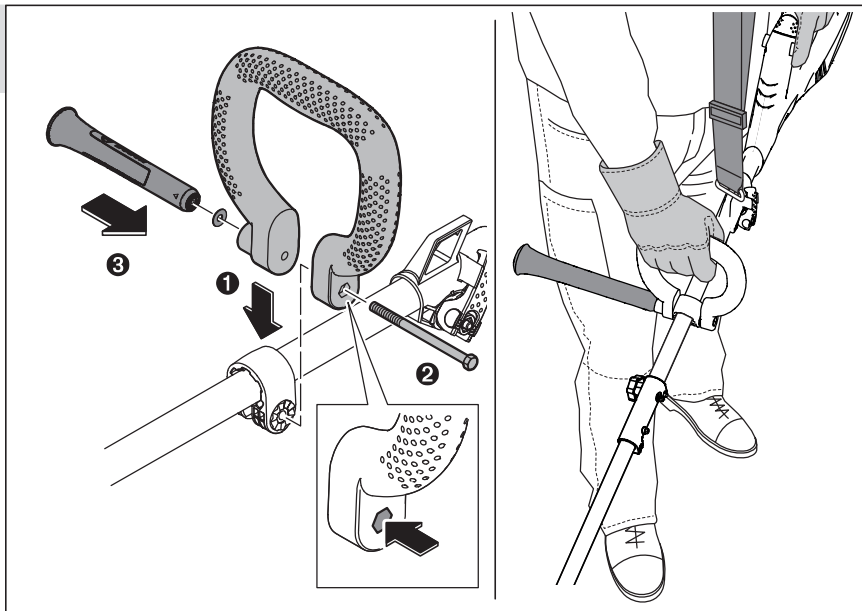




6



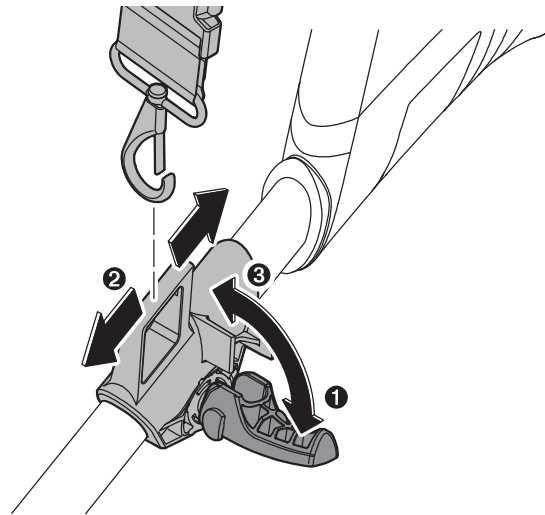
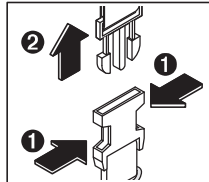
7



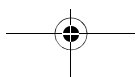
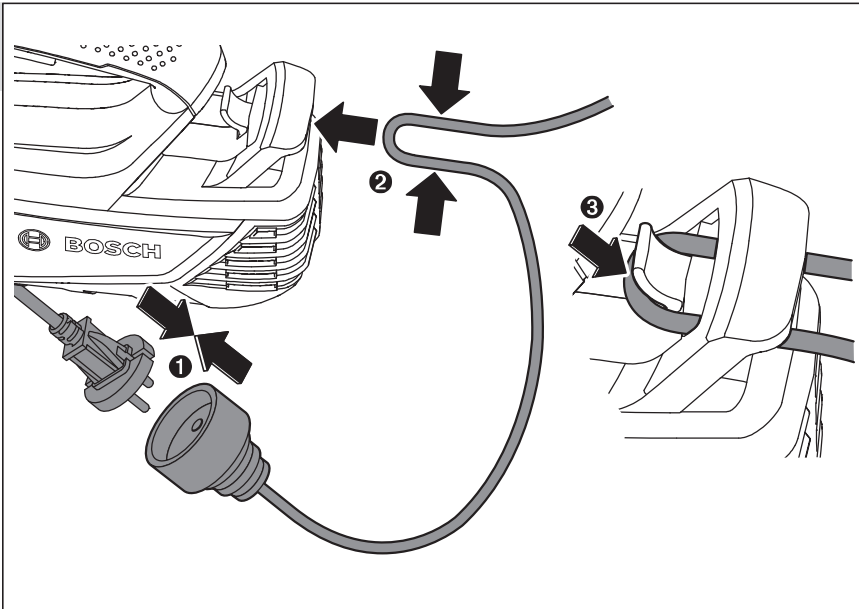




8



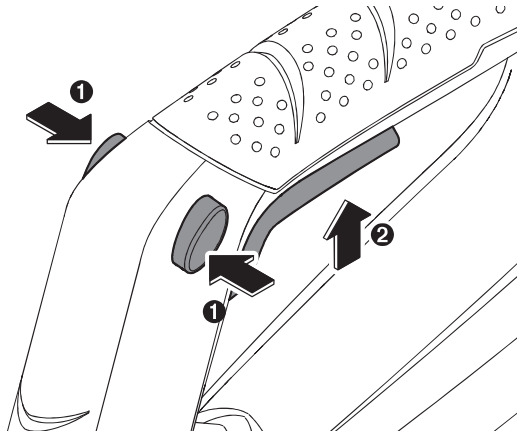
9



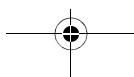
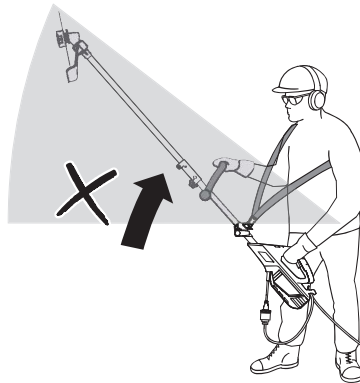
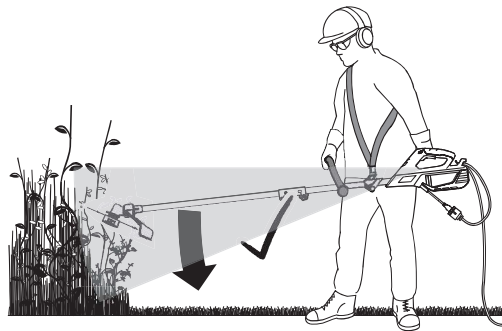


## 10

①+② = |

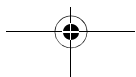
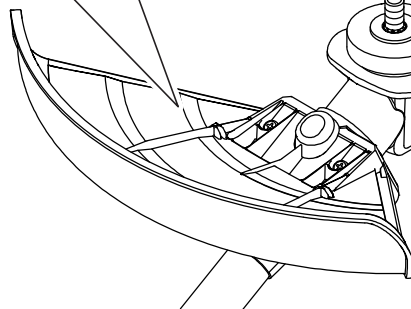
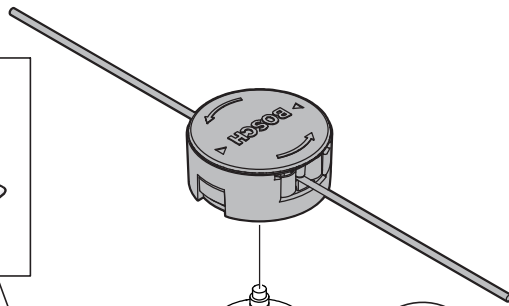
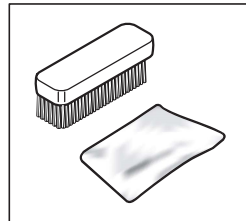
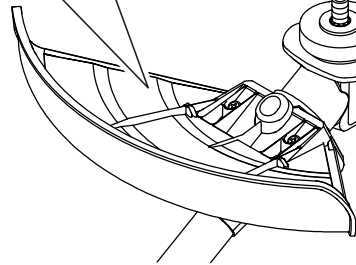
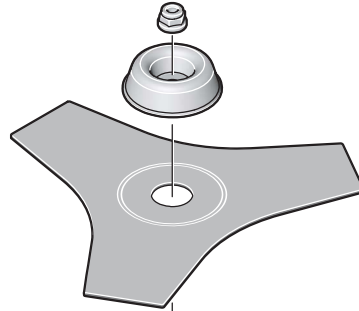
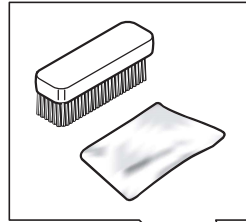


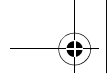
## 11



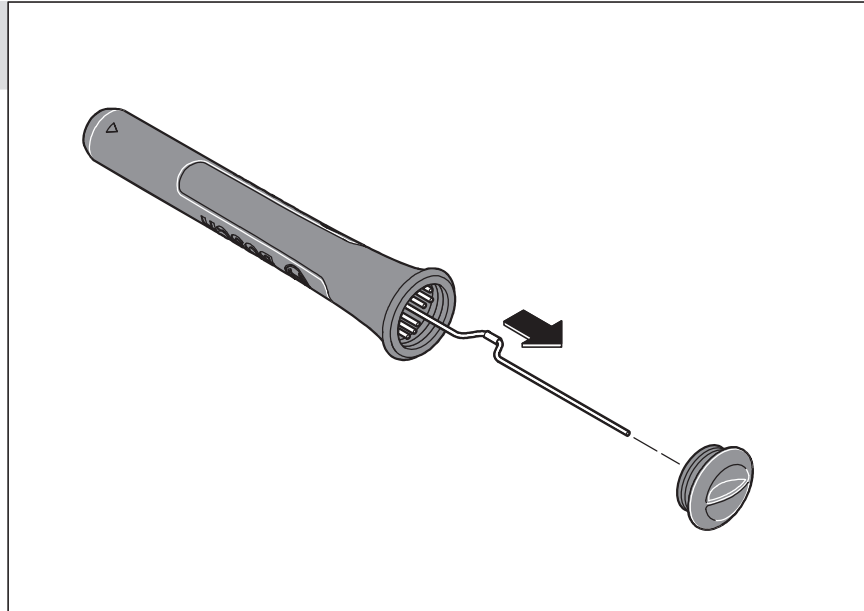


# 12

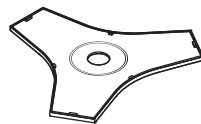




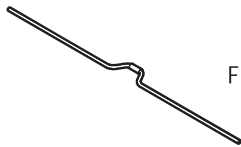
### 13



### 14



F 016 800 414



F 016 800 431



1 609 200 399



F 016 800 178



F 016 800 292

