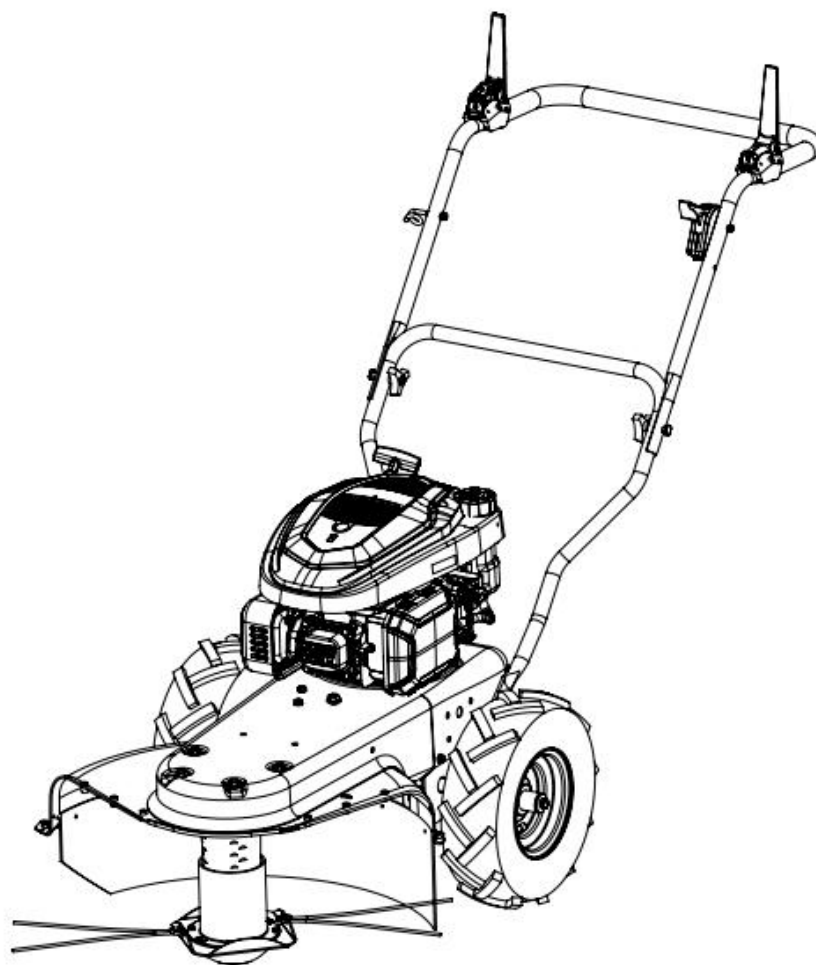


COBRA

MODELS: WT60SP (QM4123)







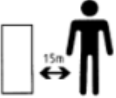






COBRA WHEELED TRIMMER OWNER'S MANUAL



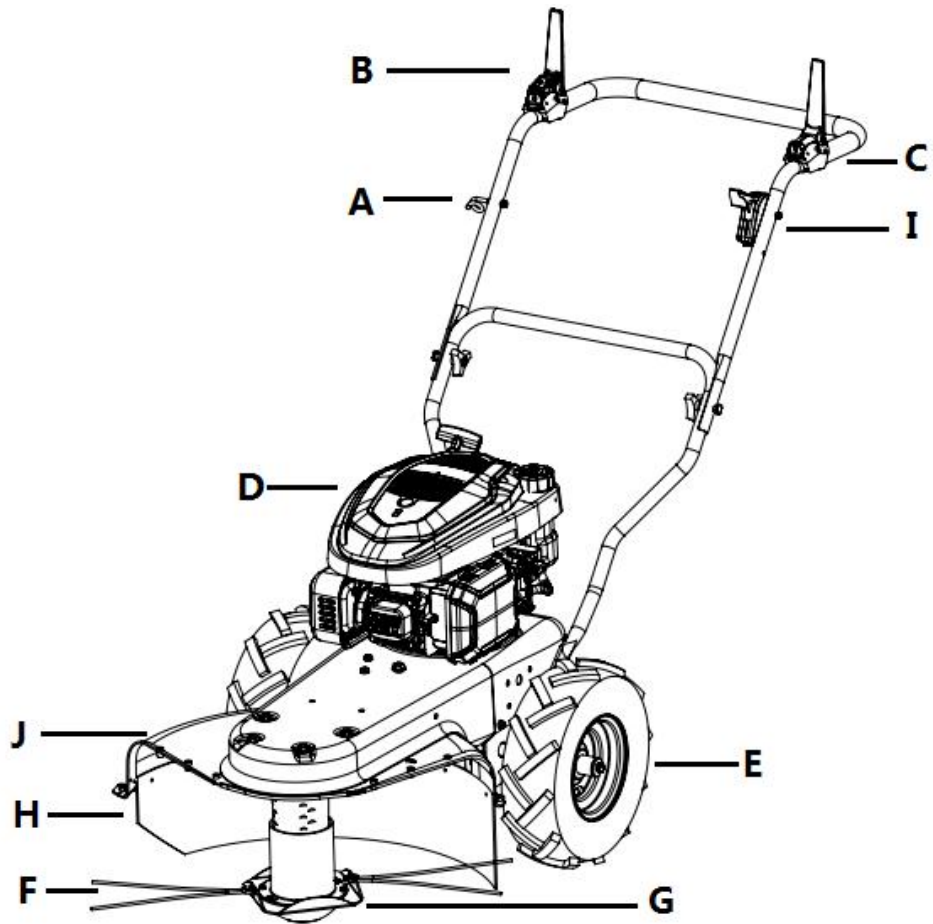
Cobra Garden Machinery

Henton & Chattell Ltd., London Road, Nottingham NG2 3HW UK

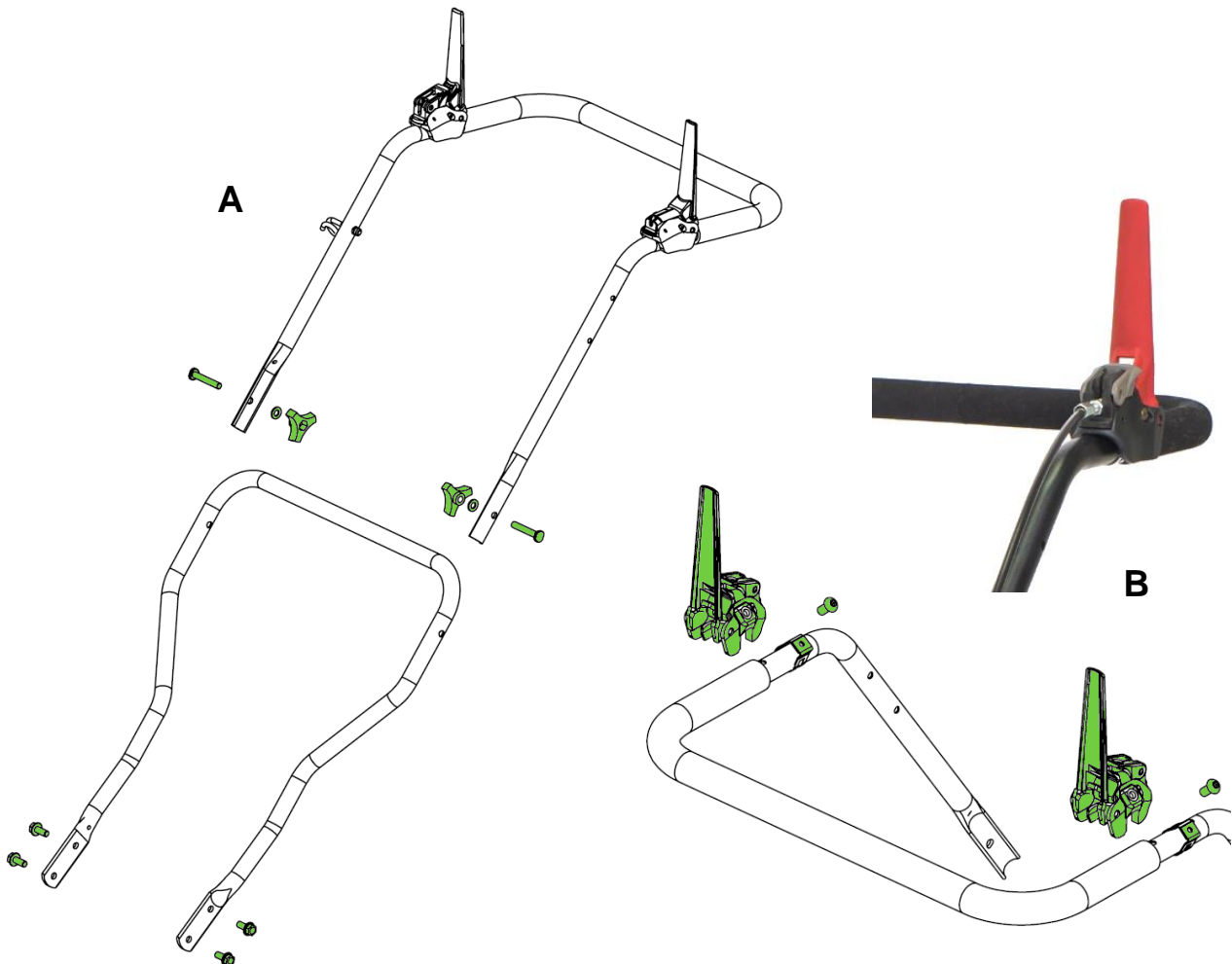
Warning symbols

GB		PICTOGRAMS	
	Please read this instruction manual carefully, especially the safety warnings marked with the symbol		Ear muffs and boots with non-slip soles with steel jacket is required. Avoid loose-fitting clothes.
	Read this manual carefully. Make sure that you are familiar with the different controls, settings and handles of the equipment.		Always disengage the levers, turn off the engine, and remove the spark plug, when the unit is left unattended.
	Do not put hands or feet near or under rotating parts. Keep a 15 meters safety distance		The trimmer head turns clockwise which means that the cut material is thrown out on the right side.
	Never allow any bystanders in front of unit.		Never operate the engine indoor or in areas with low ventilation. The exhaustion from the engine contains carbon monoxide.
	Exercise extreme caution when operating on slopes.		Be cautious on hot engines parts
	The rotating parts are capable of amputating fingers, toes and feet. Failure to observe could result in serious injury or death.		Use extreme care in handling gasoline. Gasoline is extremely flammable, and the fumes are explosive.
	Never fit rigid or metal cutting parts		

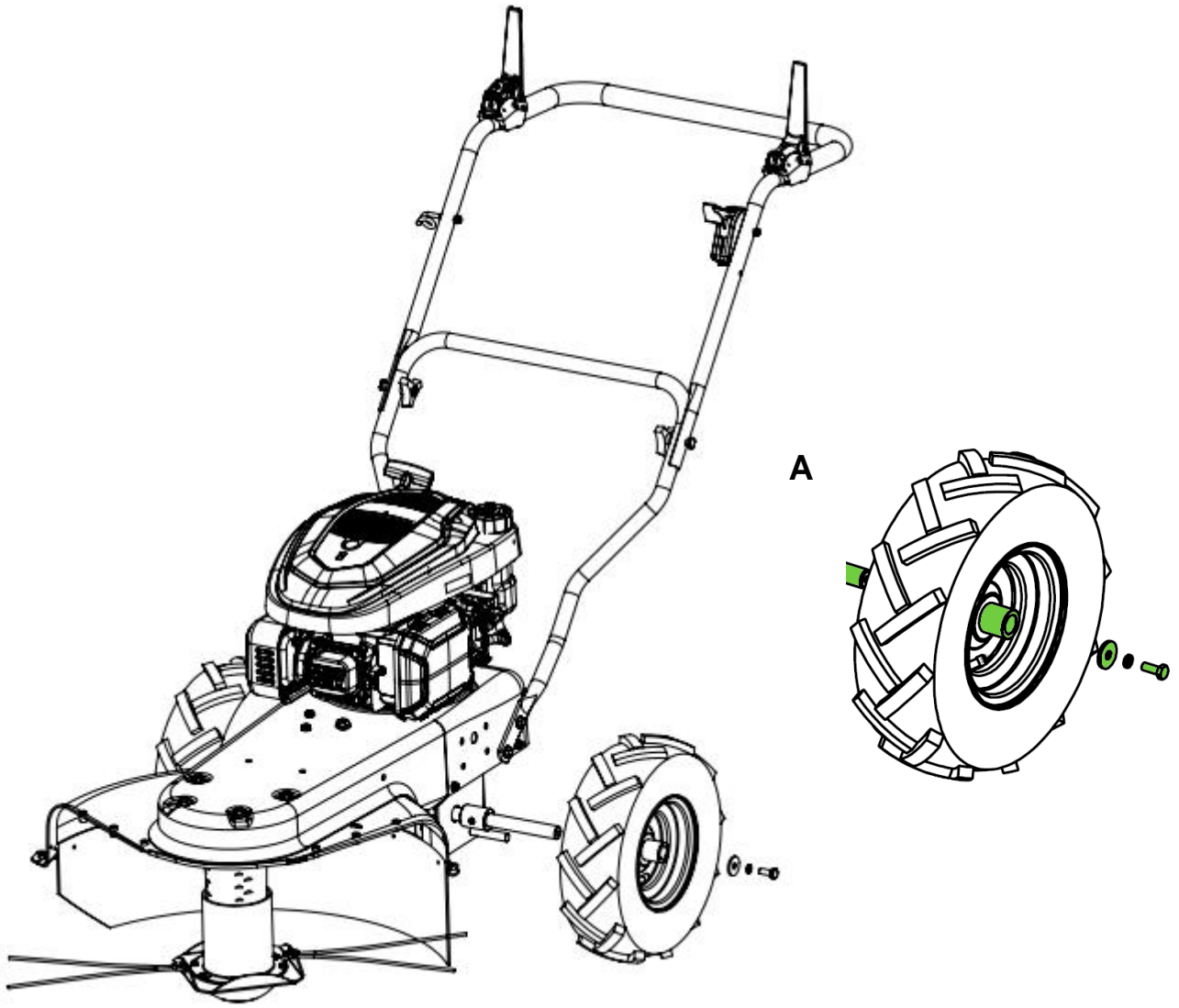
1



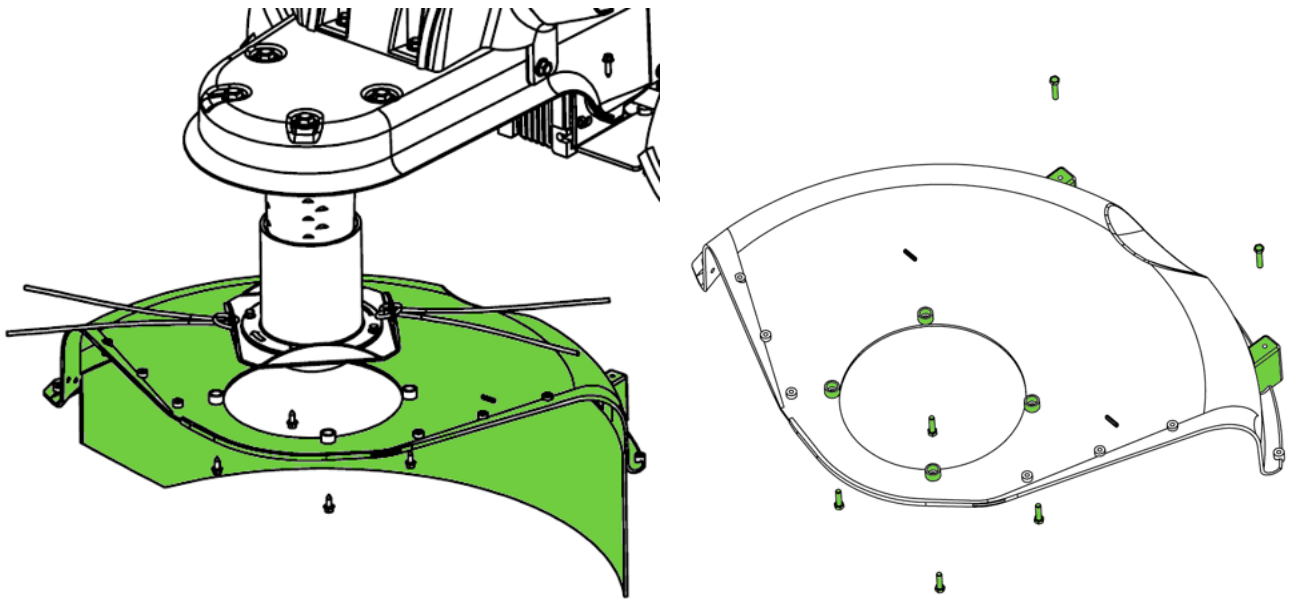
2



3

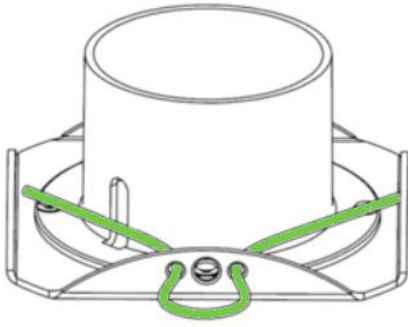


4

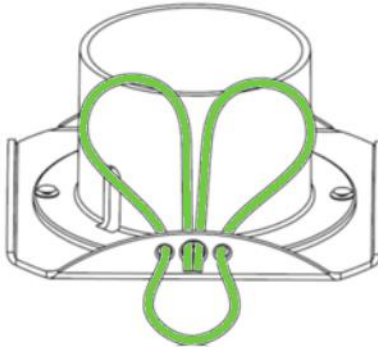


5

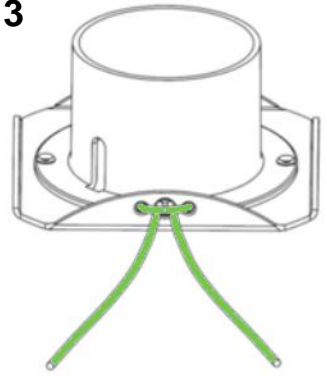
1



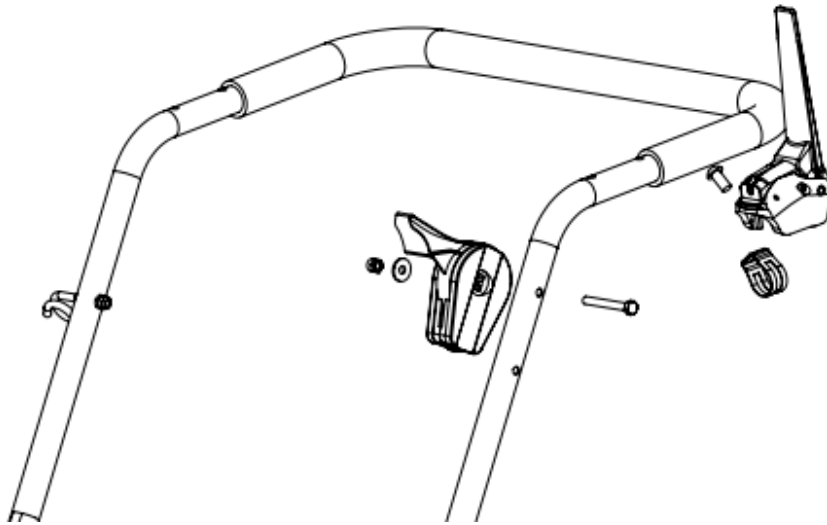
2



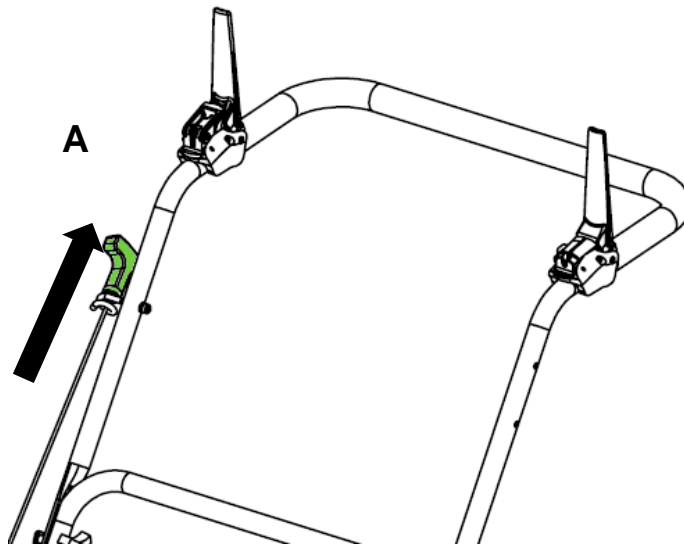
3



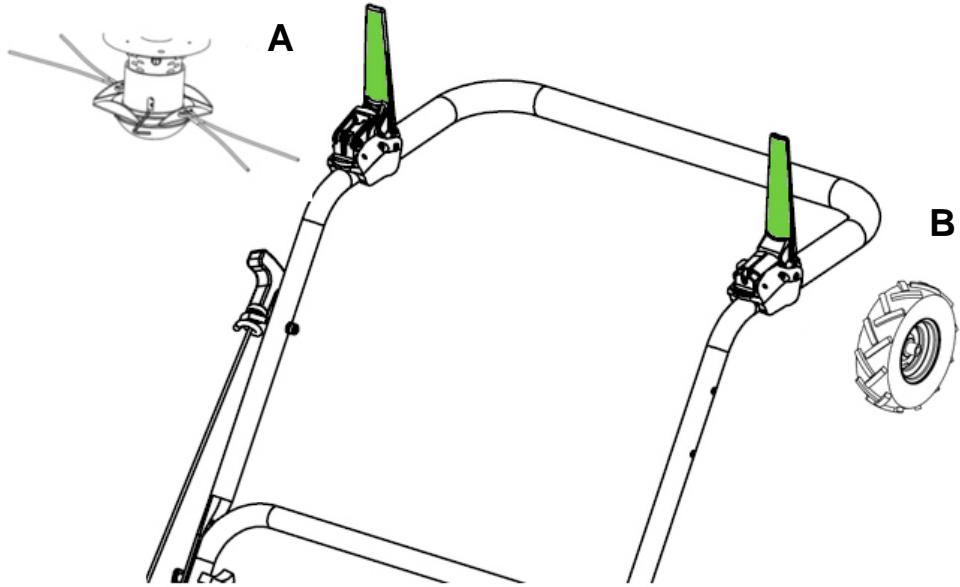
6



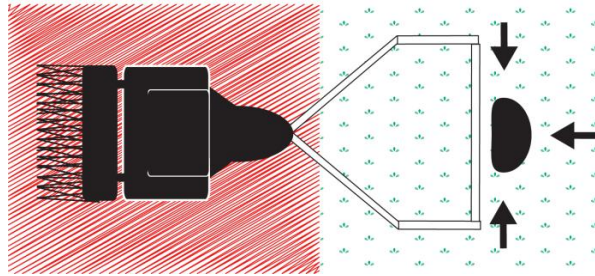
7



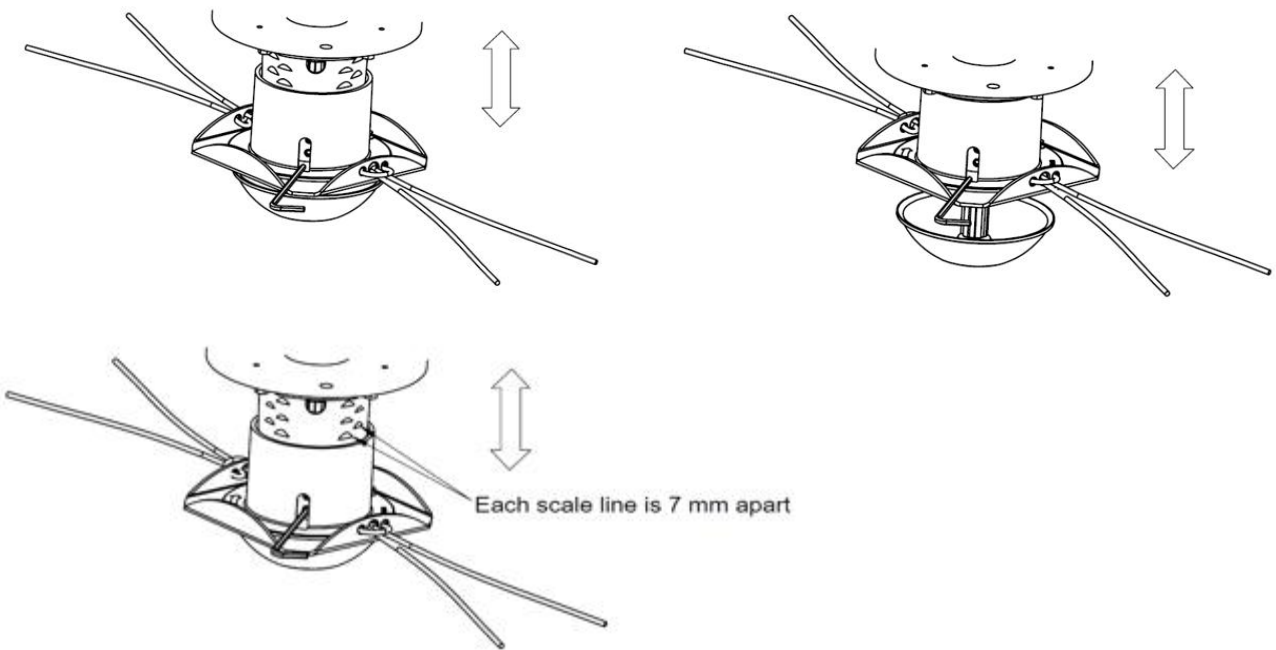
8



9



10



Please read this instruction manual carefully, especially the safety warnings marked with the symbol:



ATTENTION

Safety precautions

Setup

Do not put hands or feet near or under rotating parts.

Read this manual carefully. Make sure that you are familiar with the different controls, settings and handles of the equipment.

Know how to stop the unit and ensure that you are familiar with how to emergency stop.

Never allow children or people unfamiliar with these instructions to use the machine. Note, that local regulations can restrict the age of the operator.

If you feel unwell, tired or have consumed alcohol or drugs, do not operate the machine.

Always inspect the machine before usage ensure that no parts are worn or damaged.

Replace worn out or damaged elements and bolts in sets to preserve balance.



ATTENTION

The operator of the machine is responsible for people's safety.

Never use the machine near children or animals.

The operator of the machine is held liable for any accidents or hazards to other people and their property.

Thoroughly inspect the area, where the equipment is to be used, if necessary remove any foreign objects.

Do not refuel petrol indoors or while the engine is running.

Spilled petrol is extremely flammable; never refuel while the engine is still hot.

Wipe off any spilled petrol before starting the engine. It may cause a fire or explosion!

Beware of hazards, while working on difficult ground, obstacles and trip hazards.

Boots with non-slip soles with steel jacket is required. Avoid loose-fitting clothes.

Operation

Always start the engine from a safety zone.

Do not leave the safety zone while operating the machine, if it is necessary to leave the safety zone, turn off the engine before leaving the zone.

After striking a foreign object, stop the engine immediately, remove the spark plug cap and inspect the machine thoroughly for damage. Repair the damage before continuing work.

If the machine should start to vibrate abnormally, stop the engine and check immediately for the cause. Vibration is generally a warning of damage.

Always disengage the levers, turn off the engine, and remove the spark plug, when the unit is left unattended.

Always turn off the engine and ensure that all moving parts have come to a complete stop before making any repairs, adjustments, or inspections.

Exercise extreme caution when operating on slopes.

Never operate the machine at a fast pace.

Do not overload machine capacity

Do not carry passengers.

Pay attention, while the machine is reversing.

Never allow any bystanders in front of unit.

Always disengage the machine, if not in use.



ATTENTION

Only operate the machine in daylight or in fully illuminated areas

Ensure a stable foothold and always keep a firm hold on the handles. Always walk, never run.

Do not operate the equipment when barefoot or wearing sandals.

Exercise extreme caution when changing direction on slopes

Never attempt to make any adjustments, while the engine is running.

Use extreme caution when reversing or pulling the machine backwards

Never operate the engine indoor or in areas with low ventilation. The exhaust from the engine contains carbon monoxide. Failure to observe this warning could result in permanent injury or death.

Petrol safety

Use extreme care in handling petrol. Petrol is extremely flammable, and the fumes are explosive.

Serious personal injury can occur, when petrol is spilled on yourself or your clothes. Rinse your skin and change clothes immediately!

Use only an approved petrol container. Do not use soft drink bottles or similar!

Extinguish all cigarettes, cigars, pipes and other sources of ignition.

Never refuel your machine indoors.

Let the engine cool down before refilling

Never fill the fuel tank to more than 2.5 cm below bottom of filler in order to provide space for fuel to expansion.

After refueling, ensure that the cap tighten securely.

Never use the lock-function on the petrol gun, when refueling.

Do not smoke while refueling.

Never refuel inside a building or where petrol fumes may get in contact with an ignition source.

Keep petrol and engine away from appliance, pilot lights, barbecues, electric appliances, power tools, etc.

If the fuel tank has to be drained, this should be done outdoors

Maintenance and storage

The engine should be stopped when carrying out maintenance and cleaning operations, when changing tools and when being transported by means other than under its own power.

Check regularly that all bolts and nuts are tightened. Retighten if necessary.

The engine must be completely cooled before storing indoors or covered.

If the machine is unused for a period of time, please refer to the instructions in this manual.

Maintain or replace safety and instruction labels, as necessary.

Only use original spare parts or accessories. The warranty cover requires only original parts or accessories to be used

Replace faulty silencers.

Miscellaneous

The gears are delivered pre-greased. However, always ensure they are well greased before each use.

The engine is not pre-filled with oil. Check and fill as necessary. Factory-fitted control devices, such as the handle-mounted clutch cable, must not be removed or exposed.

Only drain the fuel tank outdoors. Petrol is extremely flammable and the fumes are explosive.

Ensure that the machine is properly secured when transported on a flatbed etc.

Reduce the throttle during engine shutdown and close the fuel valve.

Identifications of parts

Identification of parts, see Fig. 1

- A. Start cord
- B. Trimmer activation handle
- C. Self-propelled handle
- D. Engine
- E. Wheel
- F. Trimmer line
- G. Trimmer head
- H. Rubber cover
- I. Gas lever
- J. Protection guard

For explanation of the engine, see separate engine manual.

Assembly

Please follow the steps in figures 2-5:

1. Mount lower handlebar with 4 bolts on the console. After that mount the upper handlebar. The spacers are needed to be on the inside. As shown on Fig. 2A
2. Attach the clutch handles on the handlebar, as shown on Fig. 2B. Cable which comes out from right side of chassis, should be attached to right side of handlebar. Equivalent for left side.
3. Mount the wheels with the bolts shown on Fig. 3A. The spacers need to be between the wheel and the bolt.
4. Fit the protection guard on the machines as shown on Fig. 4.
5. Mount trimmer line. Follow the procedure step 1-2-3 as shown on Fig. 5.
6. Mount the throttle lever on the handle, as per Fig. 6.

The trimmer line must have a length of max 52 cm and must always be attached in sets. There must be attached trimmer lines on both sides of the trimmer head.

Mounting the start cord in holder: Fig. 7A

1. Pull gently the starter cord from the engine.
2. Attach the starter grip on the rack of handlebar.



Fill the motor with engine oil to the correct level. See changing the oil section for more details.

Clothing

When using the machine, wear close-fitting work clothes, hard-wearing work gloves, ear defenders and non-slip boots with steel toecaps.

Safety zone

While the machine is being operated and the motor is running, do not leave the operation zone marked with arrows on Fig. 9. If it is necessary to leave the operation zone, for example to attach an accessory, first stop the engine.

Starting and stopping the engine



Always check the oil level prior to use!

On engines with a dipstick, the oil level must always be between the min. and max. On engines without dipstick the oil must be visible to the edge on filler hole, when the engine is in a horizontal position. Always use SAE-30 oil. Use only unleaded 95 octane petrol. Never over-fill the gas tank.

Start

1. Set the throttle lever to the max position.
2. Pull the start cord to start the engine. See Fig. 7A.
Always feed the start cord back into the engine by hand.
3. Activate the trimmer activation handle. Fig. 8A.
4. Activate the self-propelled handle. Fig. 8B.

Stop

1. Release both clutch handles.
2. Set the throttle lever to the stop position.

Vibrations may travel up into the handle during use. We therefore recommend taking a break, every 2 hours.

Operating the machine



Remove all foreign objects from the work area before using the machine. Stones, glass, branches and similar items may damage the machine. Also check the bolts are tightened.

Start the motor as per the instructions above. Stand clear of the machine's moving parts.

Never attempt to move the machine in any way other than intended for normal use while the motor is running.

KEEP A SAFETY DISTANCE OF 15 METERS.

The machine can work in almost any kind of vegetation. The trimmer head turns clockwise which means that the machine throws the grass out on the right side.

The machine has a low center of mass and large wheels. This makes it suitable for working on slopes with a gradient of up to 15%. Warning: Avoid driving on slopes steeper than 15%, as the engine in such case will lack lubrication which can result in a damaged engine.

The machine workload should match the trimmer capacity. This is ensured by always keeping the same steady RPM on the trimmer head. Avoid downspin in RPM. A downspin in the RPM on trimmer head can be a sign on overload.

Adjustment of the cutting height

Follow the adjustment procedure as shown in Fig. 10. It is possible to adjust the cutting height on the trimmer head in several positions between 45-120 mm.

To adjust the trimmer height, you have to loosen the two 4 mm allen screws. Then you can adjust the trimmer head up and down. Tighten both screws again once the required cutting height is chosen.

Cleaning

The machine should be cleaned after use. Use a garden hose to wash off soil and dirt. Remove the trimmer head from the trimmer axel to remove wedged grass etc. from the rotor shaft. The chassis number should only be cleaned with a damp cloth to avoid unnecessary wear. Avoid using a high-pressure washer during cleaning.

Changing the oil

The oil should initially be changed after the first 5 hours of use, and thereafter once per year. Use an oil extractor kit.

1. Suck the oil up through the oil filler hole using the syringe. Use the hose to reach the sump.
2. Transfer the used oil to the container.
3. Fill the engine with new SAE-30 oil.
4. Check the oil level using the dipstick.

Remember to dispose of used oil in a safe way.

Oil and oil extractor kit are not included

Storage

- If the machine is likely to be stored unused for prolonged periods, follow the instructions below. This will ensure longer machine lifetime.
- Use a garden hose to wash off soil, grass and dirt. Remove any grass, etc. from the shaft. The chassis number should only be cleaned with a damp cloth to avoid unnecessary wear. Avoid using a high-pressure washer during cleaning.
- Wipe the machine with a damp cloth so that all surfaces are clean. Wipe the surfaces down with an oily cloth to prevent rust.
- Always store the machine in a dry, clean location.
- Empty or run the machine until dry of petrol.

Troubleshooting

The motor will not start

1. Check the spark plug.
2. Check there is fresh petrol in the tank.
3. See separate motor instructions for further troubleshooting.

The motor is not running smoothly

1. Check there is fresh petrol in the tank.

The trimmer will not rotate

1. Check the cables are in good working order and fitted correctly.
 2. Check and remove wedged grass.
 3. Check that the belt is fitted correctly.
-

Noise, vibration and precautionary measures

1. Long-term exposure to noise levels exceeding 85 dB (A) are damaging. Always use ear defenders when the machine is being used.
2. To reduce noise levels further, only use the machine in an open environment.
3. Vibrations can be reduced further by holding the handle firmly.
4. To avoid disturbing others, the machine should only be used during the daytime.
5. Always wear close-fitting work clothes, hard-wearing work gloves, ear defenders and non-slip boots with steel toecaps.
6. Take a 30-minute break every 2 working hours.

Specification

Model	WT60SP (QM 4123)
Engine	LC1P65FE-2
Effect	2.75 KW / 2900 Rpm.
Working width	Max 60 cm
Working Hight	45-120 mm
Trimmer line	4 mm
Transmission	Self-propelled
Wheels	13"
LpA	81.3 dB(A)
LwA	104 dB(A) k=3.0dB(A)
Vibrations (L / R)	4.2 m/s ² , K=2.0 m/s ²
Weight	43 kgs

Warranty

This product is warranted in accordance with legal regulations for a 24 month period effective from the date of purchase by the first user.

This product will not be covered if used in a commercial application.

This warranty covers all material or production failures, it does not include: defects from normal wear and tear, parts such as, bearings, brushes, cables, air cleaning elements, brake pad, clutch disc, tyre, wheel, recoil starter rope, belts, cutter blades, plugs, lubricant oils and grease or accessories. Damage or defects resulting from abuse, accidents or alterations, natural fading of painted or plated surfaces, sheet peeling and other natural deterioration.

Any damage that occurs from the use of non-genuine Cobra parts will not be covered. We reserve the right to reject any claim where the purchase cannot be verified or when it is clear that the product was not maintained properly. (Clean ventilation slots, carbon brushes and serviced regularly)

Expenses incidental to the warranty claim that are not covered;
-Compensation for loss of time, commercial loss or rental costs of substitute product.
-Costs incurred for transportation to and from the dealership.

Any damage that occurs from the following will not be covered; exposure of the product to smoke and soot, chemical agents, bird droppings or other animal waste, seawater, sea breeze, salt or other environmental phenomena. Any damage resulting from operating methods other than those indicated in the owner's manual will not be covered.

Your purchase receipt must be kept as proof for date of purchase. Your un-dismantled mower must be returned to your dealer in an acceptably clean state, accompanied by your proof of purchase.

Please Register Your Mower

If your dealer did not collect registration information from you, please take a few minutes and register your purchase with Cobra.

You can register by going online to www.cobragarden.co.uk and clicking on Product Registration.

Before using the lawnmower, all mower operators must read this manual


Environment & Recycling

Do not dispose in the domestic waste but dispose of the machinery in an environmentally safe way.

Please refer to your local authorities for instructions for recycling.



EC DECLARATION OF CONFORMITY

EC Declaration of Conformity	
We herewith declare,	Cobra Garden Machinery Henton & Chattell Ltd, London Road, Nottingham NG2 3HW UK
That the following machine complies with the appropriate basic safety and health requirements of the EC Directive based on its design and type, as brought into circulation by us.	
In case of alteration of the machine, not agreed upon by us, this declaration will lose its validity	
Machine Description:	Walk behind trimmer – petrol powered
Machine Type:	WT60SP (QM4123)
Displacement	166 cm ³
Max, Cutting width	600 mm
Measured sound power level:	81.3 dB(A)
Guaranteed sound power level:	104 dB(A) , k=3.0dB(A)
Applicable EC Directives	2006/42/EC 2000/14/EC + 2005/88/EC
Applicable Harmonized Standards	EN 14910:2007+A1:2009 EN 11094:1991 EN 3744:1995
Authorized Signature/Date/Place	 Peter J. Chaloner 27/8/2021
Title of Signatory	General Manager
Name and address of the person authorized to compile the technical file	Cobra Garden Machinery Henton & Chattell Ltd, London Road, Nottingham NG2 3HW United Kingdom