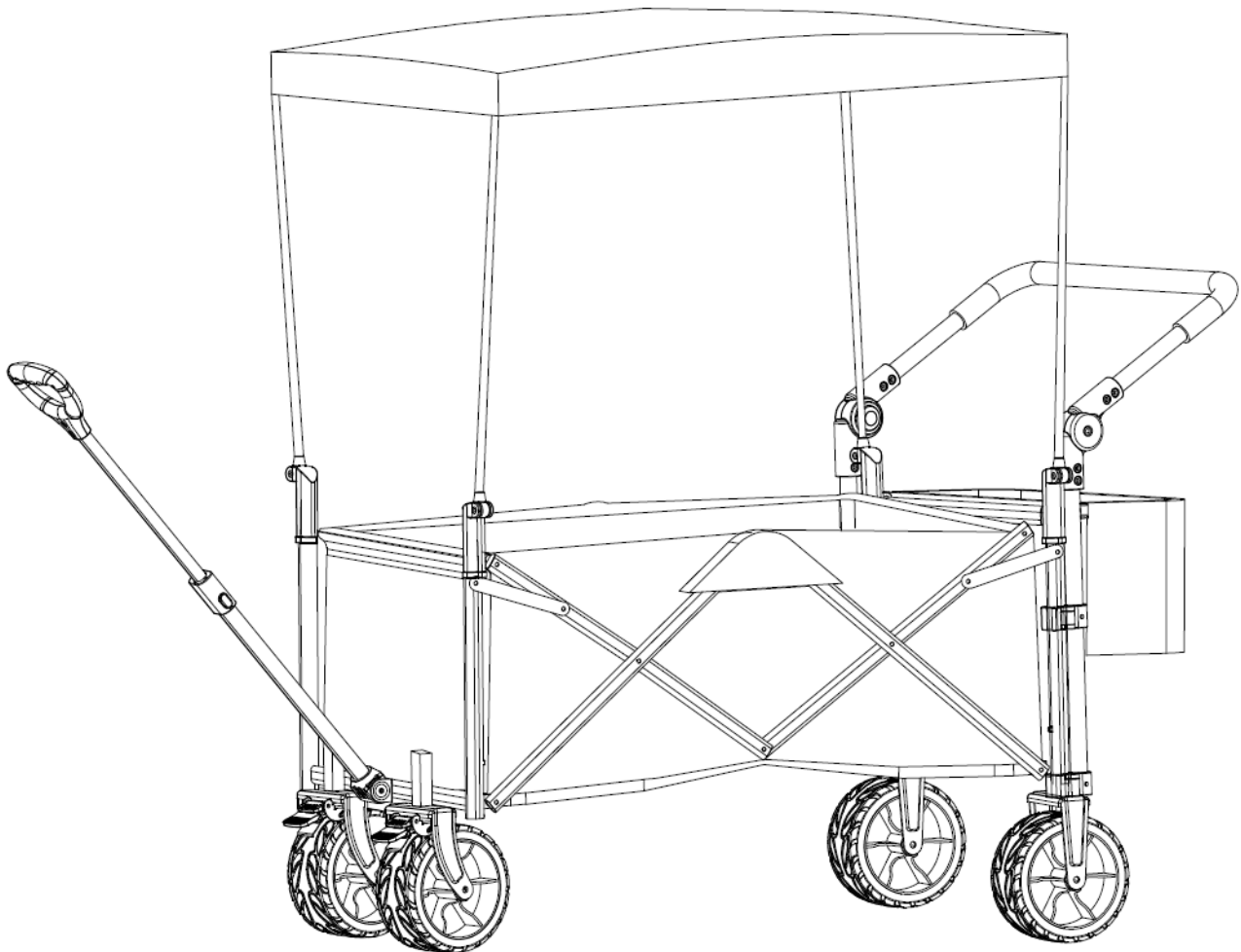


Garden **/// TEK**



FOLDING STORAGE WAGON GTW330

Instruction Manual



Introduction

Thank You For Purchasing Your GardenTek Product

We work very hard to give all of our customers the best possible service. If you have any problems, before leaving negative feedback, please contact us to give us a chance to resolve the issue. We would be delighted if you left us positive feedback! Thank you for purchasing this product.

Important!



⚠WARNING : READ THE INSTRUCTION BOOKLET THOROUGHLY BEFORE USING THE MACHINE. Keep for future reference and pass it on if the machine is loaned or sold to another user.

This manual has been produced by GardenTek and should be kept with the product. Please read and understand these instructions before you use your product. Failure to do this may result in personal injury or damage to the product.

The safety precautions and warnings are to ensure your safety and protect you from harm or damage to the product.

The information contained in this manual was accurate at the time of production, however GardenTek may make modifications to the product without notification.

Introduction

- ✓Familiarise yourself with the applications, limitations and hazards of the wagon.
- ✓Replace or repair damaged parts. Use recommended parts only. Unauthorised parts may be dangerous and will invalidate the warranty.
- ✓Only use the wagon in an adequate working area for its function, keep area clean and tidy and free from unrelated materials and ensure there is adequate lighting.
- ✓Ensure that all fittings are tight before each use.
- ✓Maintain correct balance and footing. Ensure the floor is not slippery and wear non-slip shoes.
- ✓Keep children and unauthorised persons away from the working area.
- ✓Use on flat, firm, level surface capable of supporting the weight of the wagon and material with it
- ✓**DO NOT** operate the wagon if any parts are missing as this may cause failure and/or possible personal injury.
- ×**DO NOT** use the wagon for a task it is not designed to perform.
- ×**DO NOT** make any modifications to the wagon.
- ×**DO NOT** exceed the rated capacity of the wagon.
- ×**DO NOT** apply off-centre loads.
- ×**DO NOT** operate the wagon when you are tired or under the influence of alcohol, drugs or intoxicating medication.
- ×**DO NOT** climb upon the wagon.
- DO NOT** allow untrained persons to operate the wagon.
- ×**WARNING!** The warnings, cautions and instructions in this manual cannot cover all possible conditions and situations that may occur. It must be understood by the operator that common sense and caution are factors which cannot be built into this product, but must be applied by the operator.

Appropriate Personal Protective Equipment (PPE), should be worn at all times when operating or repairing the wagon. No protective equipment can ensure 100% protection. When selecting PPE, make sure it's CE marked and it suits the user in terms of size, fit, etc. If more than one item of PPE is worn at the same time, make sure they can be used together, e.g. wearing safety glasses may disturb the seal of a respirator, causing air leaks.



Hand Protection



Foot Protection

Unboxing

⚠ Unboxing Safety

⚠ WARNING! Unboxing and assembling the product should be done on a flat, stable surface with enough room. Disposal of the packaging should be done in accordance with the local regulations in force.

⚠ WARNING! Some of the packaging material may be harmful to children. Keep out of reach of children.

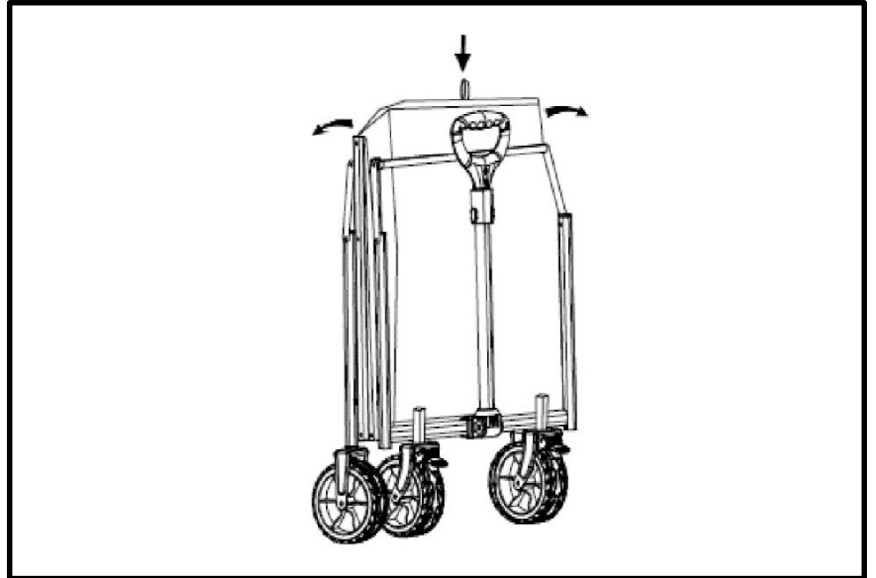
Carefully remove the product from the packaging and examine it for any sign of damage caused during shipping. Lay the contents out and check them. If any part is damaged or missing, you must not use the product. Contact us immediately. You must keep the packaging material in case the product needs to be returned or repaired.

Ensure that you have all the accessories and tools you need for assembly and operation including the suitable personal protective equipment.

Assembly

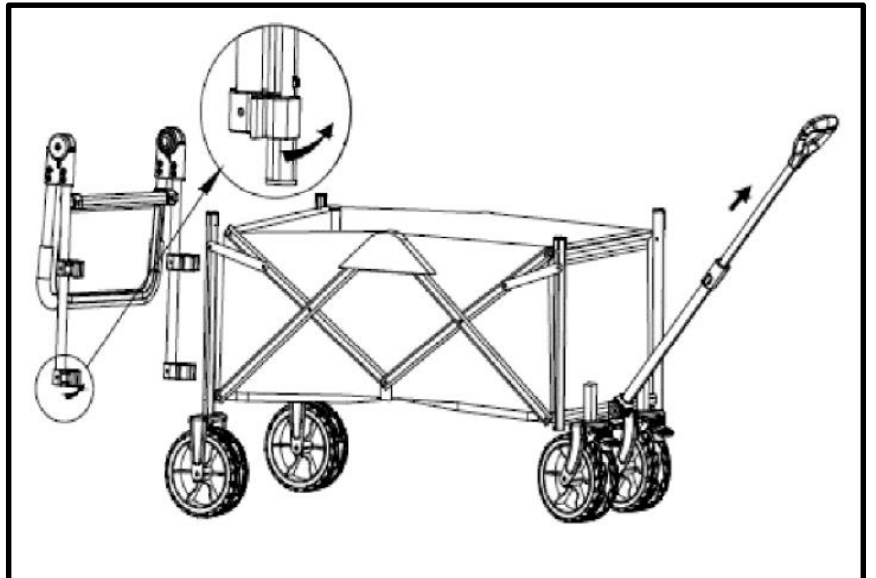
Step 1

Remove the frame from the packaging. Pull the front and back sides apart to open up the wagon.



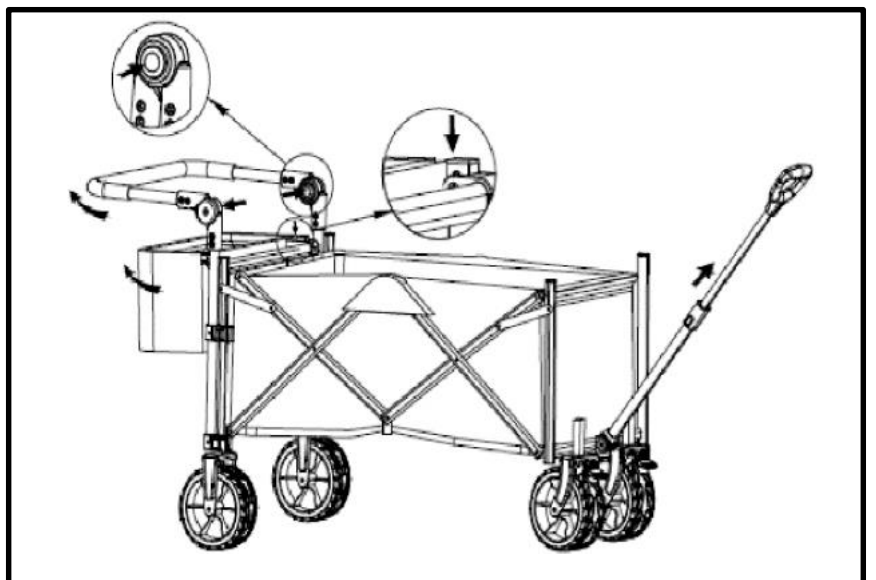
Step 2

Attach the adjustable handle to the back of the wagon.



Step 3

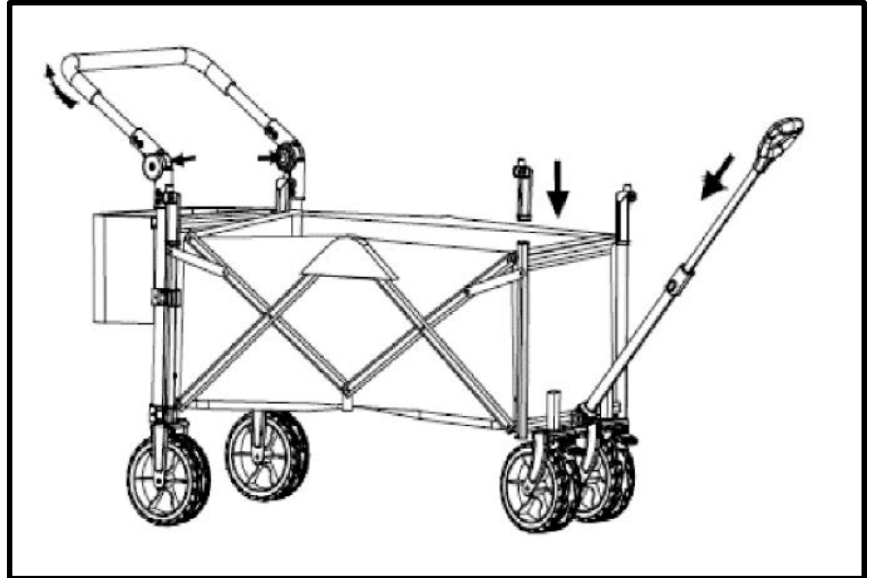
Press the red buttons on both sides at the same time to adjust the handle to your preferred position.



Assembly

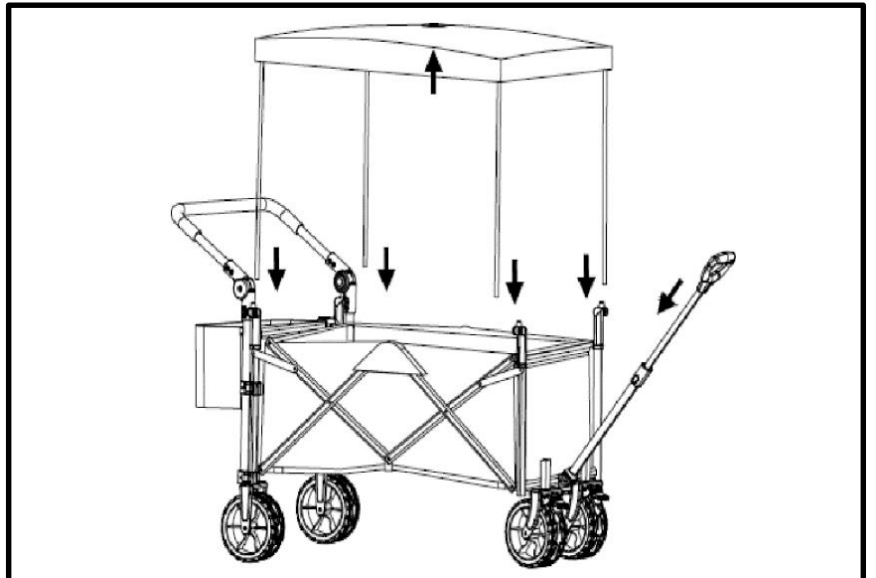
Step 4

Insert the uprights into each corner.



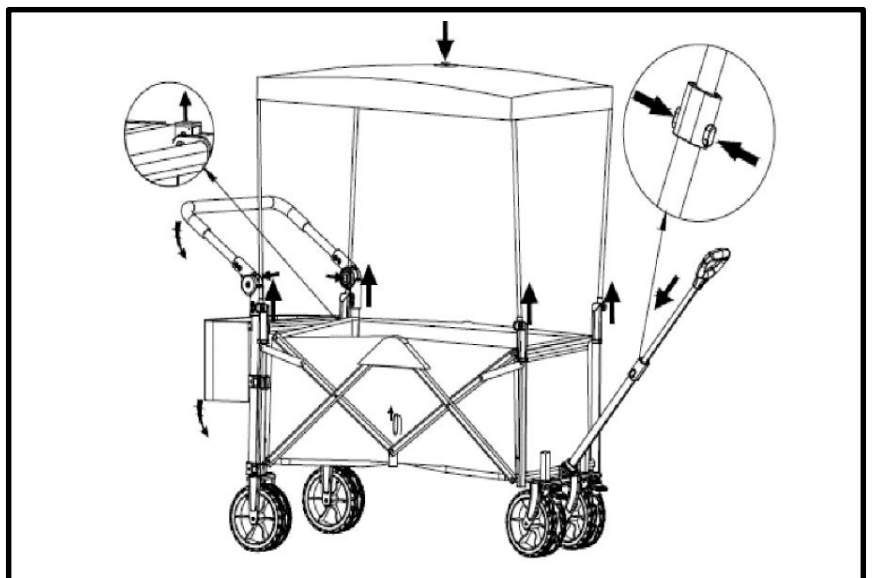
Step 5

Lift the canopy into place, and attach the poles into each corner upright.



Step 6

Check all the assembled parts are secured by giving them a gentle pull. If assembled correctly they won't come apart.



Recycling And Disposal

Recycling And Disposal

We are a Member of the VALPAK National Compliance Scheme and our registration number is **RM08660**. For further information about disposal please contact your Local Authority.

You can also get more advice and guidance about recycling at the following website
<http://www.recycle-more.co.uk>

Should you pass this product on to another user either sold or loaned, you **MUST** pass on this user manual. This will make sure that all other users can use and maintain this machine safely.

Environmental Protection

1. Environmental protection should be a priority of considerable importance when using the wagon, for the benefit of both social coexistence and the environment in which we live. Try not to cause any disturbance to the surrounding area.
2. You must comply with local regulations and provisions for the disposal of packaging, damaged parts or any elements which have a strong impact on the environment. This waste must not be disposed of as normal waste. It needs to be separated and taken to specified waste disposal centres where the material will be recycled.

Useful Information

Warranty

Proof of purchase will be required before you make a warranty claim.

Manual Updates

Our manuals are constantly being reviewed and updated. Should you find an error, omission or something unclear, please contact us for assistance.

We reserve the right to make any modifications without prior notice whenever necessary.

Our latest manuals are also placed online.

Returning Your Product

If you are returning your product, please contact the dealer for their returns policy.

Leaving A Review

We work very hard to give all of our customers the best possible service. If you have any problems, before leaving negative feedback, please contact us to give us a chance to resolve the issue. We would be delighted if you left us positive feedback!

Ordering Spare Parts

You can find the spare part you are looking for in the 'Spare Parts' section of this manual or visit power-spare.co.uk

Product Information

Information

As soon as you have purchased the machine, we recommend that you fill out the following. If you need to contact an authorised dealer or customer service for information on servicing, you may need to provide the following information.

The model number and serial number can be found on the grey specification sticker on your machine.

Date Of Purchase:

Dealer Name:.....

Dealer Phone:.....

Model Number:.....

Serial Number:.....

Need Help? Talk To Our Experts

Contact Us

Our friendly aftersales team will be more than happy to help you.



Phone

Call our team on 01646 687880, open Monday-Friday 8.30am-5pm.



Email

aftersales@genpower.co.uk



Post

Genpower Limited, Isaac Way, Pembroke Dock, Pembrokeshire, SA72 4RW, UK.

Importer:
GENPOWER LTD
Isaac Way, London Road,
Pembroke Dock, UNITED KINGDOM, SA72 4RW
T: +44 (0) 1646 687 880 F: +44 (0) 1646 686 198

Imported/Distributed by Genpower Ltd for The United Kingdom & Ireland