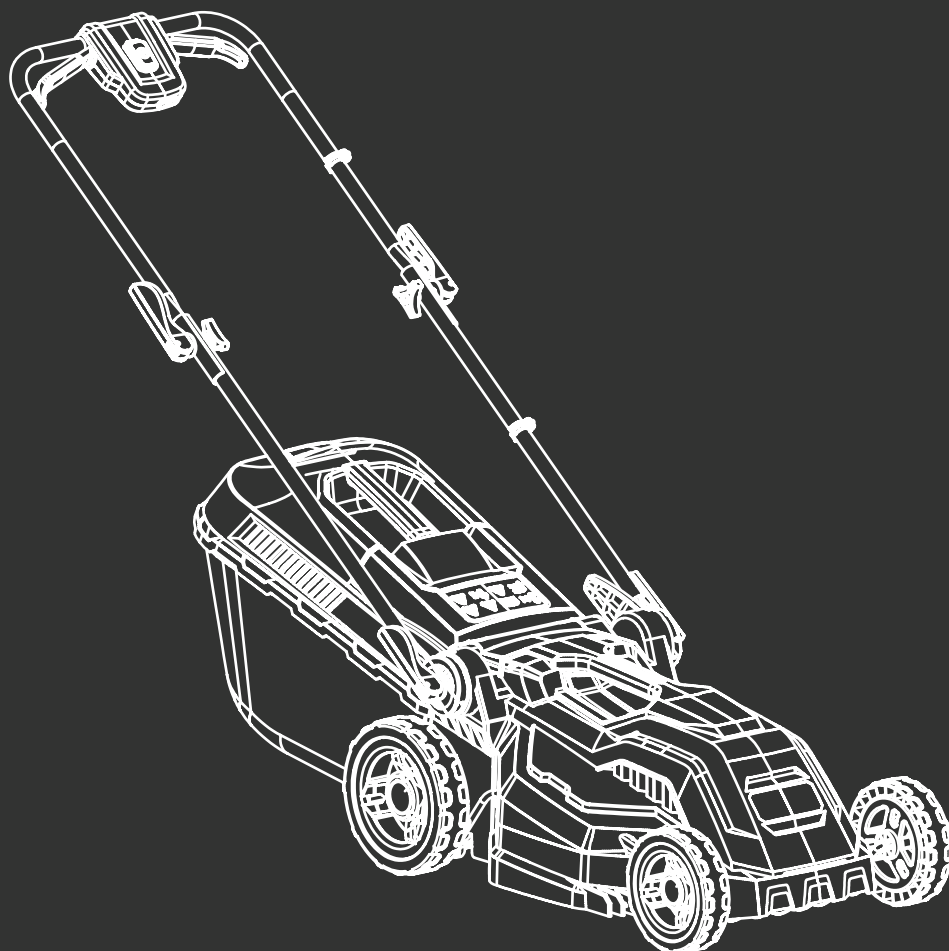


HYUNDAI
POWER PRODUCTS



ELECTRIC LAWNMOWER HYM3800E

Instruction Manual



HYUNDAI

POWER PRODUCTS

Thank You For Purchasing Your HYUNDAI Lawnmower

We work very hard to give all of our customers the best possible service.
If you have any problems, before leaving negative feedback, please contact us to give us a chance to resolve the issue.

We would be delighted if you left us positive feedback!
Thank you for purchasing this product.

Rated **Excellent** on ★ Trustpilot

This manual has been produced by Hyundai Power Products and should be kept with the product. Please read and understand these instructions before you use your product. Failure to do this may result in personal injury or damage to the product.

The safety precautions and warnings are to ensure your safety and protect you from harm or damage to the product.

The information contained in this manual was accurate at the time of production, however HYUNDAI Power Products may make modifications to the product without notification.

GENPOWER LTD
Isaac Way, London Road,
Pembroke Dock, UNITED KINGDOM, SA72 4RW
T: +44 (0) 1646 687 880 F: +44 (0) 1646 686 198
E: info@hyundaipowerproducts.co.uk
www.hyundaipowerproducts.co.uk

Contents

Features.....	4
What's In The Box.....	4
Symbols On The Machine.....	5
General Safety.....	6-11
For Safe Operation.....	12-13
About The Lawnmower.....	14
Assembly.....	15-16
Starting / Stopping Procedure.....	17
Troubleshooting.....	18
Specification.....	19
Maintenance & Care.....	20-24
Spare Parts.....	24
Tips For Mowing.....	25
Lawn Striping Guide.....	26-27
Our Product Range.....	28
Useful Information.....	29
Notes.....	30-33
Contact Us.....	34
Declaration Of Conformity.....	35

**IMPORTANT: DON'T FORGET TO REGISTER YOUR EXTENDED
3 YEAR HYUNDAI WARRANTY WITHIN 30 DAYS OF PURCHASE.**

<https://www.hyundaipowerequipment/warranty>

Contact Us



www.hyundaipowerproducts.co.uk

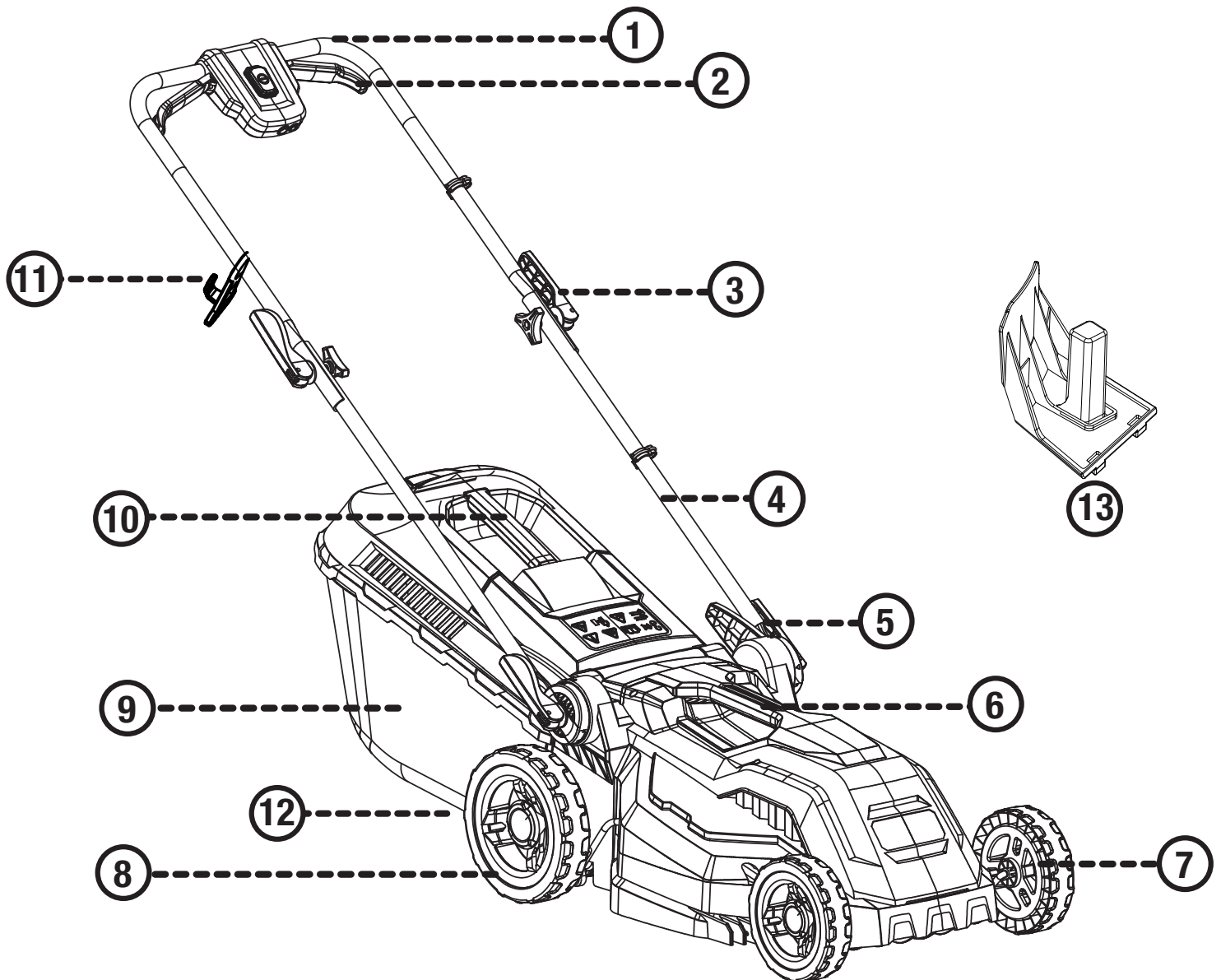


01646 687 880



aftersales@hyundaipowerproducts.co.uk

Features



- 1 - Upper Handle
- 2 - OPC Lever
- 3 - Upper Quick Release Handle
- 4 - Lower Handle
- 5 - Lower Quick Release Handle
- 6 - Carry Handle
- 7 - Front Wheel
- 8 - Rear Wheel
- 9 - Grass Collector
- 10 - Grass Collector Handle
- 11 - Cable Hook
- 12 - Rear Roller
- 13 - Mulching

What's In The Box

- HYM3800E Lawnmower
- Grass Collector
- User Manual
- Mulching Plug

Symbols On The Machine



CAUTION!

Handle carefully.



INSTRUCTION MANUAL

Read and understand operator's manual before using the machine. Failure to follow instructions could result in death or serious injury.



DANGER!

Keep hands and feet away from cutting parts.



DISCONNECT FROM MAINS

Always turn the machine off and disconnect from the mains before commencing maintenance work or if the cable is damaged. Always read instructions before carrying out any repair or maintenance.



DANGER AREA

Keep away from the danger area.



DANGER OF THROWN OBJECTS

Keep all bystanders and animals at least 15 metres away from the machine during operation. If approached, stop the machine immediately.



WARNING

Do not touch the rotating parts.



WARNING

Always use correct tools and original spare parts.



WARNING

Stop the engine before cleaning of work area.



KEEP BYSTANDERS AWAY

Keep bystanders, especially children away!



WARNING

The blade is sharp, do not touch the blade.



CABLE

Keep the connecting cable away from blades.



DO NOT USE ON SLOPES

Do not use on hills above 20°.



PROTECT FROM MOISTURE

Do not expose the product to rain or wet conditions.



WEEE SYMBOL

Waste electrical products should not be disposed of with household waste. Please recycle where facilities exist. Check with your local authority or local store for recycling advice.



PROTECTION CLASS II

Equipped with enhanced or double insulation.



CE SYMBOL

This product complies with the applicable European directives and an evaluation method of conformity for these directives was done.

Contact Us



www.hyundaipowerproducts.co.uk



01646 687 880



aftersales@hyundaipowerproducts.co.uk

General Safety



! WARNING : READ THE INSTRUCTION BOOKLET THOROUGHLY BEFORE USING THE MACHINE. Failure to do so may result in electric shock, fire and/or serious injury. Keep for future reference and pass it on if the machine is loaned or sold to another user.

Training

! DANGER !

Engine exhaust fumes contain Carbon Monoxide. This is a poisonous gas and can kill in minutes. NEVER use inside a building or in an area with poor ventilation.

! 1. WARNING! You must read these instructions carefully before operating the machine. Make sure that you are familiar with the controls and properly operate the machine. You must learn how to stop the engine quickly. If you do not follow the warnings and instructions, it may result in fire and/or serious injury. Make sure to save all warnings and instructions for future reference.

2. Never allow children or people unfamiliar with these instructions to use the product. Local regulations can restrict the minimum age of the operator.

3. Never operate while people, especially children, or pets are nearby.

4. Never operate the lawnmower if the user is unwell or tired, or has taken alcohol, medicine, drugs or any substances which may slow the user's reflexes and compromise judgement.

5. Keep in mind that the operator or user is responsible for accidents, hazards or unexpected events involving the machine that occur to other people or their property. It is the responsibility of the user to assess the potential risk of the area where work is being

carried out. The operator or user must take all necessary precautions to ensure their own safety and that of others, especially on slopes or rough, slippery and unstable ground.

6. If the lawnmower is sold or lent to others, you must make sure that the operator reads this manual. Keep this manual safe and pass it on to the new user.

Preliminary Operations

1. Always wear anti-slip and resistant work footwear and long trousers while using the machine. Do not use the lawnmower when barefoot or wearing open sandals. Do not wear chains, bracelets or clothing that is loose fitting or hanging ties or cords. Tie long hair back. Always wear protective earplugs.

2. Make sure you thoroughly inspect the entire work area and remove all objects and anything that could be thrown by the machine or could damage the engine or cutting unit (branches, stones, wire, toys, etc).

3. You must check the general condition of the machine before using and in particular:


- Check that the blade is not worn or damaged. Replace the entire blade and all worn or damaged fittings to preserve balance. Any repairs must be done at a specialised centre.

- Do not force the OPC safety lever as it must move freely; it should return automatically and quickly back to the neutral position, resulting in the stopping of the blade.

General Safety

4. Where applicable, check the battery status regularly. If there is any damage to the casing, cover or terminals, you must replace it.

5. Before you start work, always fit the exit guards (grass collector, side discharge guard or rear discharge guard).

 **6. WARNING** - The noise and vibration levels shown in these instructions are the maximum levels for use of the lawnmower.

The use of an unbalanced blade, the excessive speed of movement, or the absence of maintenance have a significant influence on noise emissions and vibrations. It is necessary to take preventive steps to eliminate possible damage due to high levels of noise and stress from vibration. You must maintain the machine well, wear ear protection and take breaks from working.

The absence of maintenance has a significant influence on noise emissions and vibrations. It is necessary to take preventive steps to eliminate possible damage due to high levels of noise and stress from vibration. You must maintain the machine well, wear ear protection and take breaks from working.

Appropriate Personal Protective Equipment (PPE), **MUST** be worn at all times when operating or repairing the machine.



GLOVES

Protective electrically non-conductive gloves are highly recommended when working.



BOOTS

Non-skid heavy duty footwear are highly recommended when working.



HEARING PROTECTION

Suitable safety hearing protection is recommended.



EYE PROTECTION

Always wear safety glasses/goggles and/or face shields. Everyday eyeglasses have only impact resistant lenses; they are not safety glasses/goggles.




CLOTHING

Do not wear loose clothing, gloves, scarfs, neckties or jewellery (rings, wrist watches), which can be caught in moving parts.



General Safety

 **WARNING!** Read and fully understand this user manual before operating the machine. Failure to do so may result in electric shock, fire and/or serious injury. In all warnings below, the term “power tool” refers to you electric lawnmower.

Work Area

1. Make sure to keep your work area clean and tidy and well lit. Messy and dark areas lead to accidents.
2. Never operate the machine in explosive atmospheres, such as in the presence of flammable liquids, gases or dust. Power tools create sparks which may ignite the dust or fumes.
3. Keep children and bystanders away while operating a power tool. Distractions can cause you to lose control.

Electrical Safety

Electricity can kill – NEVER work on LIVE/ ENERGISED equipment.

1. You must avoid body contact with earthed or grounded surfaces such as pipes, radiators, ranges or refrigerators. There is an increased risk of electric shock if your body is earthed or grounded.
2. Never expose power tools to rain or wet conditions. Water entering a power tool will increase the risk of electric shock.
3. Use an extension cord suitable for outdoor use. This reduces the risk of electric shock.
4. Use outdoor extension leads. If working outdoors, always use an approved cable extension suitable for the power rating of this tool, the conductor size should also be at least the same size as that on the machine, or larger. When using a cable reel, always unwind the cable completely. We strongly recommend that this machine is connected to

the mains supply via a Residual Current Device (RCD).

5. Do not use the cord to carry the machine, hang it up or pull it out of the socket. Keep the cable away from heat, oil, sharp edges or moving parts of the equipment. Damaged or entangled cables increase the risk of electric shock.
6. The plug of the machine must fit into the socket. The plug must not be changed in any way. Do not use adapter plugs together with electrically grounded power tools. Unmodified plugs and matching sockets reduce the risk of electric shock.
7. Prior to carrying out any maintenance work you **MUST** identify electrical isolation methods and isolate all electrical supplies.
8. Prior to use and with all electrical supplies isolated, you **MUST** check all electrical cables, plugs and connectors for the following:
 - Are intact and have no signs of damage, to include but not limited to bare wires, chaffing, cuts and loose wiring.
 - If there are any signs of damage, the damaged item **MUST** be taken out of service until the damage has been repaired by an electrically competent person.
 - All trailing cables should be routed so as not to cause any kind of trip hazard.
 - **NEVER** work on or near electricity with wet hands, wet clothing and wet gloves.

Personal Safety

1. Stay Alert. Watch what you are doing and use common sense when operating a power tool. Do not operate tool when you are tired or under the influence of drugs, alcohol or medication. A moment of inattention while operating power tools may result in serious personal injury.

General Safety

2. Use Safety Equipment. Always wear eye protection. Safety equipment such as dust mask, non-skid safety shoes, hard hat, or hearing protection used for appropriate conditions will reduce personal injuries.

3. Avoid Accidental Starting. Ensure the switch is in the off position before plugging in. Carrying power tools with your finger on the switch or plugging in power tools that have the switch on invites accidents.

4. Remove adjusting key or wrench before turning the power tool on. A wrench or a key left attached to a rotating part of the power tool may result in personal injury.

5. Do Not Overreach. Keep proper footing and balance at all times. This enables better control in unexpected situations.

6. Dress Properly. Do not wear loose clothing or jewellery; keep your hair, clothing and gloves away from moving parts. Loose clothes, jewellery or long hair can be caught in moving parts.

7. If dust extraction and collection equipment can be installed, make sure they are connected and used properly. Using a dust extractor can reduce dust hazards.

Power Tool Use And Care

1. Do Not Force The Tool. Use the correct power tool for your application. The correct power tools will do the job better and safer at the rate for which it was designed.

2. Do Not use the power tool if the switch does not turn it on and off. Any power tool that cannot be controlled with the switch is dangerous and must be repaired.

3. Disconnect the plug from the power source before making any adjustments, changing accessories, or storing power tools. Such

preventive safety measures reduce the risk of starting the power tool accidentally.

4. Store idle power tools out of the reach of children and do not allow persons unfamiliar with the power tool or these instructions to operate the power tool. Power tools are dangerous in the hands of untrained users.

5. Maintain power tools, check for misalignment or binding of moving parts, breakage of parts and any other condition that may affect the power tools operation. If damaged, have the power tool repaired before use. Many accidents are caused by poorly maintained power tools.

6. Use the power tool, accessories and tool bits etc., in accordance with these instructions and in the manner intended for particular type of power tool, taking into account the working conditions and the work to be performed. Use of the power tool for operations different from intended could result in a hazardous situation.

7. Before use check the supply and extension cord for signs for signs of damage or aging.

8. If the cord becomes damaged during use, disconnect the cord from the supply immediately.

9. **WARNING:** Cutting elements continue to rotate after the motor is switched off.

10. Check plug and cable for damage before inserting the plug into the socket. If damaged, have it replaced by a specialist immediately. Damaged cables and plugs or connection cables that do not comply with the regulations must not be used.

11. Only insert the plug into the socket when the machine is switched off.



General Safety



General Fuel Safety



CAUTION!

ALL FUELS ARE FLAMMABLE

- Fire hazard - keep fuel away from all sources of ignition for example heaters, lamps, sparks from grinding or welding.
- DO NOT carry out hot work on tanks that have contained fuel.
- ALWAYS keep the work area tidy.
- ALWAYS clean up spills promptly using absorbent granules and a lidded bin.
- ALWAYS dispose of waste fuels correctly.



Fueling / De-Fueling



CAUTION!

ALL FUELS ARE FLAMMABLE

- ALWAYS fuel and de-fuel in a well ventilated area outside of buildings.
- ALWAYS wear correct, suitable and fit for purpose Personal Protective Equipment (PPE), suggested items are but not limited to safety gloves, overalls.
- When fueling/de-fueling ALWAYS avoid inhaling fumes.
- When de-fueling ALWAYS use a proper fuel retriever.
- ALWAYS carry fuel in the correct and clearly marked container.



Batteries (Where Present)

Batteries present a risk if they become damaged by the possible leaking of electrolyte. This electrolyte is an acid and can cause serious burn injuries. Care should be taken when working on or near them. **NOTE** the electrolyte may be in a liquid or gel form.

Should you come in to contact with electrolyte you should;

- Remove all clothing contaminated with electrolyte. If you cannot remove then saturate them in water.
- Get medical assistance as soon as possible. You must advise the medical staff of the type of acid.
- Lead/acid battery = dilute sulphuric acid.
- Nickel/cadmium = potassium hydroxide alkali electrolyte.
- Use fresh running water to wash off excess electrolyte, continue this until medical assistance arrives. Make sure that you do not move the electrolyte to another part of your body or face.
- If electrolyte comes in to contact with eyes the electrolyte needs to be immediately washed away with large amounts of water. Make sure that you do not wash the electrolyte to another part of your face or body.
- Gasses from charging batteries are highly flammable and explosive and great care should be taken to charge in well ventilated areas.

General Safety



• There is an explosion risk if the battery terminals are short circuited, when connecting/disconnecting ALWAYS exercise great care so that the terminals or battery leads are NOT allowed to touch and cause a spark. ALWAYS use suitable insulated tools.

Vibrations (Where Applicable)

• Prolonged use of hand held (operated) machines will cause the user to feel the effects of/from vibrations. These vibrations can lead to white finger (Raynaud's phenomenon) or carpal tunnel syndrome. This condition reduces the ability of the hand to feel and regulate temperature, causing numbness and heat sensations and may cause nerve damage and circulatory tissue death.

• Not all factors that lead to white finger disease are known, but cold weather, smoking and other diseases that affect blood vessels and blood circulation as well as large and long-lasting impact of shocks are considered factors in the formation of white finger. Note the following to reduce the risk of white finger and carpal tunnel syndrome;

• Wear gloves and keep your hands warm.

• Take regular breaks.

• All of the above precautions may help reduce the risk of white finger disease but not rule out the carpal tunnel syndrome. Long-term and regular users are therefore recommended to observe the condition of your hands and fingers. Seek medical attention immediately if any of the above symptoms should occur.

Noise (Where Applicable)

• The operating noise of the machine can damage your hearing. Wear hearing protection such as earplugs or ear defenders to protect your hearing. Long-term and regular users are advised to have hearing checked regularly. Be especially vigilant and cautious when using ear protection because your ability to hear alarm warnings will be reduced.

• Noise emissions for this equipment is unavoidable. Carry out noisy work at approved times and for certain periods. Limit the working time to a minimum. For your personal protection and protection of people working nearby it is also advisable for them to wear hearing protection.



• See Certificate of Conformity section for Outdoor Noise declaration of conformity.

Service

1. Make sure your power tool serviced by a qualified repair person using only identical replacement parts. This will ensure that the safety of the power tool is maintained.

2. Do not remove or modify any safety components as this may result in damage to your machine or serious personal injury.



For Safe Operation


During Use

- 1.** You must only work in daylight or with good artificial light in good visibility conditions. Keep people, children and animals away from the working area.
- 2.** Avoid mowing wet grass. Do not work in the rain or when there is a thunderstorm or lightning risk. If there is bad weather conditions, do not use the machine.
- 3.** Make sure on slopes you have a steady foothold.
- 4.** Do not allow the lawnmower to pull you along, you must walk and never run.
- 5.** You must pay special attention when approaching obstacles that could compromise visibility.
- 6.** When mowing on slopes, you must mow across the slope and not up and down it. When changing direction, you need to be careful that the wheels do not hit any obstacles (such as roots, branches, stones, etc) that can cause the lawnmower to slide sideways or make you lose control of it.
- 7.** The lawnmower must never be used on slopes of over 20°, regardless of the mowing direction.
- 8.** Be very careful when pulling the lawnmower toward you. You must look behind you to make sure there are no obstacles before and during operations in reverse.
- 9.** You must immobilise the blade if the machine must be inclined for transport, when moving over surfaces other than grass and when the lawnmower is transported from or to an area that must be cut.
- 10.** When using the machine near roads, pay attention to traffic.
- 11.** Do not operate the machine with damaged guards or without the grass collector, side discharge guards or rear discharge guards.
- 12.** You must be careful near ravines, ditches or embankments.
- 13.** Follow the instructions to start the machine carefully whilst keeping feet away from the blade.
- 14.** Never incline the lawnmower whilst starting. Start the machine on a flat surface without obstacles or high grass.
- 15.** Do not place your hands or feet near or under rotating parts. Keep away from the discharge opening.
- 16.** If the lawnmower is running, do not lift or transport.
- 17.** Do not tamper with or disable safety systems.
- 18.** The motor parts get very hot when running, do not touch. Danger of burns.
- 19.** Only use manufacturer-recommended attachments.
- 20.** If the attachments/tools are not installed in their seats, do not use the machine.
- 21.** You must disengage the blade, switch off the machine and unplug from the mains (making sure that all moving parts are stationary):
 - When transporting the machine
 - Whenever you leave the machine unattended
 - Before clearing blockages or unclogging the discharge chute
 - Before cleaning, checking or working on the machine
 - After striking a foreign object you must, inspect the machine for damage and make repairs before using it again.

For Safe Operation

- Before refuelling
- Whenever you remove or attach the grass collector
- Whenever you remove or attach the side discharge chute
- Before adjusting the cutting height

22. Always keep a safe distance from the rotary blade, given by the length of the handle.

 **29. WARNING** - If something breaks or an accident happens whilst working, you must turn off the machine immediately and move the lawnmower away to prevent further damage. If an accident happens with injuries or third parties are injured, carry out the first aid measures most suitable for the situation immediately and contact the medical authorities for any necessary health care. Carefully remove any debris that might cause damage or harm persons or animals should it not be seen.

30. Start the machine carefully according to instructions and with feet well away from the blade.

31. Do not tilt the lawnmower when starting it.



About The Lawnmower

Getting To Know The Machine

Machine Description

HYM3800E

The HYM3800E is an 1600W electric, rear roller lawnmower from HYUNDAI, ideally suited for small to medium sized lawns. The HYM3800E has a cutting width of 380mm.

The lawnmower is a garden tool and precisely a pedestrian controlled lawnmower. The machine is essentially composed of a motor which drives a blade enclosed in a casing, equipped with wheels and a handle. The operator is able to operate the machine and use the main controls, always staying behind the handle at a safe distance from the rotating blade. If the operator leaves the machine, the motor and blade will stop within a few seconds.

The lawnmower is manufactured according to the latest safety requirements. These include a blade brake that stops the motor and blade when you let go of the OPC lever. Every precaution is only effective when it is followed exactly.

Intended Use

This machine was designed and manufactured for cutting and collecting grass in gardens and grassy areas, in areas in proportion to its cutting capacity, controlled by a pedestrian operator.

The presence of attachments or specific devices can prevent cut grass from being collected or produce a mulching effect, depositing cut grass on the ground.

User Types

This machine is intended for use by consumers, i.e. non professional operators. The machine is intended for "DIY" and domestic use only.

Improper Use

Any other usage not in keeping with the above mentioned ones may be hazardous and harm persons and/or damage things. Examples of improper use may include, but are not limited to:

- transporting people, children or animals on the lawnmower
- letting yourself be transported by the lawnmower
- using the machine to tow or push loads
- using the machine for leaf or debris collection
- using the machine to trim hedges, or cutting anything other than grass
- use of the machine by more than one person
- using the blade on surfaces other than grass

Assembly

Getting Started

⚠ CAUTION - This guide is meant to serve as a quick reference for operating your HYUNDAI lawnmower. We always advise reading the manual in full before operation.

⚠ NOTE - Images may vary depending on model. If the lawnmower has the mulching option, the mulching plug may already be installed for transport.

⚠ NOTE - The lawnmower can be supplied with some parts already assembled. Prior to assembly, check all items have been received.

⚠ WARNING - Unboxing and assembling the lawnmower should be done on a flat, stable surface with enough room. Disposal of the packaging should be done in accordance with the local regulations in force.

Unboxing

⚠ WARNING! Unboxing and assembling the machine should be done on a flat, stable surface with enough room. Disposal of the packaging should be done in accordance with the local regulations in force.

Carefully remove the product from the packaging and examine it for any sign of damage caused during shipping. Lay the contents out and check them. If any part is damaged or missing, you must not use the machine. Contact HYUNDAI Power Products immediately. You must keep the packaging material in case the machine needs to be returned or repaired.

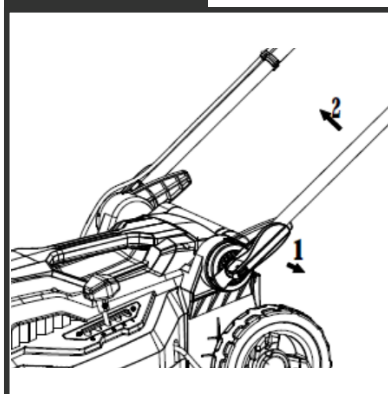
⚠ WARNING! Some of the packaging material may be harmful to children. Keep out of reach of children.

As soon as you have purchased your machine, we recommend that you fill out the information on page 34. If you need to contact an authorised dealer or customer service, you may need to provide this information.

⚠ You must read the assembly safety before you begin. The machine must not be operated before assembly is completed.

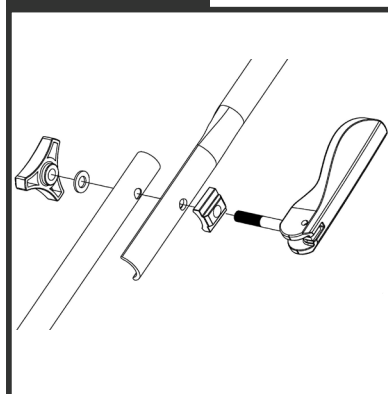
Attaching The Handles

STEP 1



Adjust the quick release knob, and lock the fast wrench.

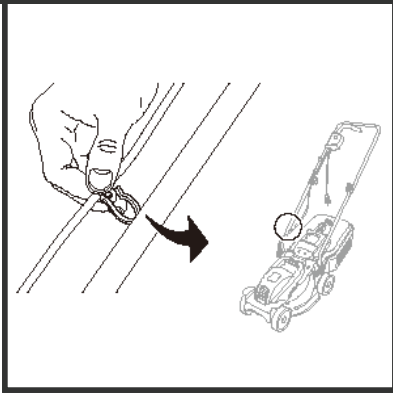
STEP 2



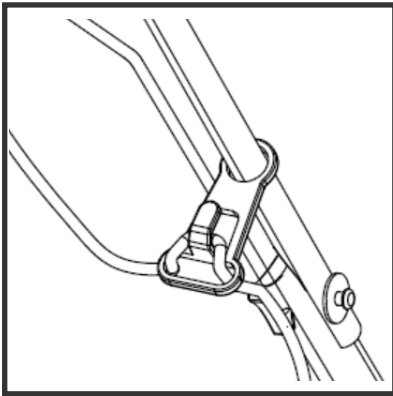
Connect the lower and upper handle, and lock the knob.

Assembly

STEP 3



Snap the power cord into the line card.

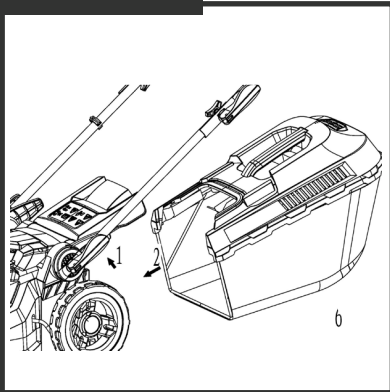


Fix the long cable on the cable hook.

Grass Collector Assembly

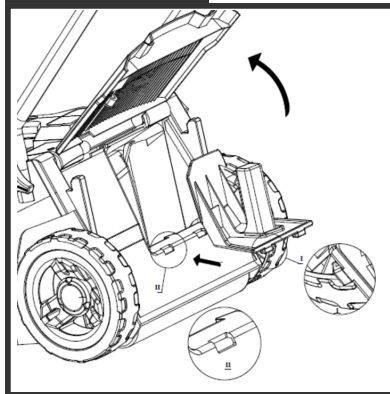
! You must only remove or attach the grass collector with the motor switched off and the blade stationary.

STEP 4



Lift the flap at the rear of the lawnmower and insert the grass collector.

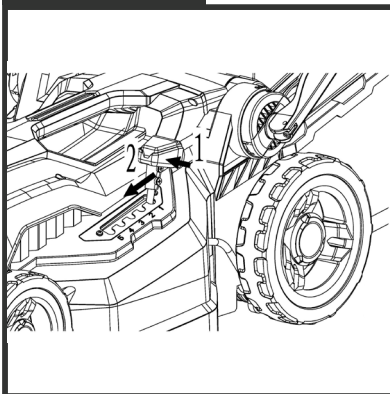
STEP 5



Open the rear cover, insert the mulching plug into the hole, if you are using the mulching function.

Adjusting Cutting Height

STEP 6




Adjust the wheel height using the axle.

Starting / Stopping Procedure

Before Each Use

- Always ensure that the lawnmower is in a safe working condition. Inspect the blade, check safety devices and guards and check all nuts, bolts and screws are secure.
- Use outdoor extension leads. Always use an approved cable extension suitable for the power rating of this tool, the conductor size should also be at least the same size as that on the machine, or larger. When using a cable reel, always unwind the cable completely. We strongly recommend that this machine is connected to the mains supply via a Residual Current Device (RCD).

 **Only start the lawnmower on even ground and not in long grass. The ground must be free of foreign bodies, such as stones. Do not lift the lawnmower to start it.**

Starting Procedure

STEP 1

Make sure the blade is free of long grass and the cutting height is set to maximum (the highest option).

STEP 2


Press the start button on the switch / connector combination and hold it down.

STEP 3

Pull back the Operator Presence Control (OPC) lever towards the main handle.

After Each Use

- Examine the blade for damage.
- Clean the machine if necessary, go to page 22 for more information on how to clean your machine.

 **CAUTION - The motor will remain hot for a while after use. Ensure the machine has cooled before carrying out any maintenance or storage.**

Stopping Procedure

STEP 1

Release the Operator Presence Control (OPC) lever and the motor will stop.

Troubleshooting

 For faults not listed in this table, or which you cannot resolve by yourself, please contact our aftersales team. Contact details can be found on page 34.

Where necessary, all corrective actions should be carried out by suitably qualified persons.

Problem	Possible Cause	Possible Solution
Motor does not start	No power supply	Check fuse / extension lead
	Machine cable defective	Replace cable - experienced technician
	Blade jammed	Clean ejection channel / housing; the blade must rotate freely. Start on low grass or on the section of lawn that has already been mown; correct the cutting height.
Loss of motor performance	Too much grass in the ejection channel or housing	Clean ejection channel / housing. Correct the cutting height.
	Blade blunt	Sharpen or replace blade.
Grass collector does not fill up sufficiently	Lawn wet	Allow the lawn to dry
	Grass collector clogged	Clean the grid of the grass collector.
	Too much grass injection channel or housing.	Clean ejection channel / housing. Correct the cutting height.
	Blade blunt	Sharpen or replace blade.

Specifications

Model	HYM3800E
Voltage	230V, 50Hz
Power	1600W
No Load Speed	3600rpm
Drive Type	Hand Push
Height Adjustment	5 Positions
Cutting Height	20-70mm
Cutting Width	380mm
Grass Collector Type	Plastic top with nylon bag
Grass Collector Volume	40L
Deck Material	Polypropylene
Measured Sound Level	93.85db, K=3m/s ²
Guaranteed Sound Level	96db
Vibration Value	2.7m/s ² , K=0.5m/s ²
Dimensions (L x W x H)	1330mm x 445mm x 1010mm
Handle Type	Soft grip
Wheel Size	Front 160mm / Rear 200mm
Weight	12.5kg



Maintenance & Care

Safety

⚠ 1. WARNING - Before cleaning or doing maintenance work, you need to disconnect the lawnmower from the mains power supply and read the relevant instructions. You need to wear proper clothing and protective gloves whenever your hands are at risk.

⚠ 2. WARNING - If there are worn or damaged parts, never use the machine. Faulty or worn-out parts must be replaced and not repaired. You must only use original spare parts. The use of non-original and/or incorrectly fitted parts will jeopardize the safety of the machine. This may also cause accidents or personal injuries for which the manufacturer is under no circumstance liable or responsible.

3. Any maintenance operations or adjustments not explained in this manual must be carried out by your Dealer or a specialised Service Centre with the necessary knowledge and equipment to ensure that the work is done correctly maintaining the lawnmower's original safety level. Any operations performed in unauthorised centres or by unqualified persons will invalidate the Warranty and all obligations and responsibilities of the Manufacturer.

4. Check for damage after each use.

5. To be sure the machine is in safe working condition, keep all nuts, screws and bolts tight. Routine maintenance is essential for safety and for maintaining a high performance level.

6. On a regular basis, check that the blades screws are properly tightened.

7. When handling, disassembling and re-assembling the blade, make sure to wear work gloves.

8. Keep the blade well balanced during

sharpening. All work on the blade (disassembly, sharpening, balancing, re-assembly and/or replacing) should be carried out at a specialised centre as they are demanding jobs that require special skills and special tools.

9. Be very careful during adjustment of the machine to prevent entrapment of the fingers between moving parts of the blade and fixed parts of the machine.

10. Do not touch the blade until the blade is completely stationary and the lawnmower is disconnected from the mains. When servicing the blade, be careful as it can still move.

11. Check the side discharge guard, the rear discharge guard and the grass collector frequently (if applicable). Replace them if they are damaged.

12. If any warning message stickers or instruction is damaged, replace them.

13. Store the machine in a safe place, out of the reach of children.


14. The lawnmower must be cooled down before storing.

15. To reduce fire hazards, keep the motor, silencer, battery compartment and petrol storage area free of grass, leaves, or excessive grease. You must always empty the grass collector and do not leave containers full of cut grass inside storage areas.

16. To reduce fire hazards, check there is no oil and/or fuel leaks on a regular basis.

Maintenance And Care


Routine Maintenance

 **IMPORTANT** - Routine and accurate maintenance is essential for maintaining original machine safety and performance levels.

Always stop the motor and unplug from the mains power before doing any repairs or maintenance.

Only use original spare parts: The use of non-original and/or incorrectly fitted parts will jeopardize the safety of the machine, may cause accidents or personal injuries for which the Manufacturer is under no circumstance liable or responsible.

1. Wear strong protective gloves before cleaning, maintaining or making adjustments to the lawnmower.
2. You must remove grass and mud from the chassis to prevent it from drying. This will cause problems the next time the lawnmower is used. For more information on cleaning, go to page 22.
3. Paint on internal chassis parts may start to flake over time due to abrasive action of cut grass. If this happens, you should touch-up with rust-proof paint to prevent rusting that could corrode the metal. You can also use a light oil or silicone spray to prevent rust.
4. Lubricate the wheel bearings with a suitable lubricant.

 **CAUTION - DO NOT** use a hose pipe or pressure washer to clean the motor. Water will damage the motor.

Blade Maintenance

Check the blade, in order to obtain a good cut, the blade should always be sharp and well balanced. At regular intervals, check the tightness of all nuts, bolts and screws. If the blade hits an obstacle check for damage and if the machine vibrates badly stop the lawnmower and take it to a service dealer.

It is best if all interventions on the blade are done at a specialised centre that has the special tools and equipment.

Only original blades must be used on this machine. Given product evolution, the blades may be replaced in time with others having similar interchangeable and operating safety features.

- You **MUST** wear gloves to protect your hands from being cut when working with the blade.
- The blade is made of pressed steel, in order to obtain a good cut, sharpen the blade frequently, typically around every 25 hours of work.
- Following blade sharpening you must make sure that the blade is always well balanced.
- To remove the blade, unscrew the bolt, check the blade carrier and all components, replace if they are worn or damaged.

Maintenance And Care

Cleaning

⚠ CAUTION - DO NOT use a hose pipe or pressure washer to clean the motor. Water can damage the motor.

⚠ NOTE - Engine must be switched off and plug lead disconnected

- Wipe the deck with a dry cloth.
- You must remove grass and mud from inside the deck to prevent it from drying. This will cause problems the next time the lawnmower is used.
- Dry the machine completely to prevent any rust forming. You can use a light oil or silicone spray to prevent rust.
- Avoid using solvents when cleaning plastic parts. Most plastics are susceptible to damage from various types of commercial solvents and may be damaged by their use.
- Pores in the grass collector can become filled with dirt and dust during use and will collect less grass. To prevent this, regularly remove the grass collector and hose off with water and let to dry before using.

Storage

⚠ CAUTION - When storing the machine, make sure it has been cleaned as in the previous section. You can use a light oil or silicone spray to coat the equipment.

NOTE - If storing the lawn mower for a period of 30 days or more, you must follow proper storage and winterisation guidelines to avoid any possible issues with your lawn mower. Incorrect storage can lead to possible issues that will not be covered by the warranty.

The following steps should be taken to prepare your lawnmower for storage.

1. Follow the cleaning instructions as set out in the previous section.
2. Follow the maintenance section and check, service or replace serviceable items if required. Check the blade to make sure that it is ready for the following season – This will allow you to get it sharpened correctly. Use a light oil or silicone spray to help prevent the blade from rusting.
3. Using a silicone spray grease, lightly coat the lawn mower blade to prevent possible rusting during storage.
4. Using a silicone spray grease, lightly grease all moving parts on the lawn mower.
5. Once all work above is carried out store the machine in a clean, cool and dry place away from sources of ignition and varying changes in temperature. DO NOT store a machine that has not been given time to fully cool down. Do not stack anything on top of the lawn mower.

Maintenance And Care

Transportation And Handling

1. Whenever the machine is to be handled, lifted, transported or tilted you must:
 - Wear sturdy work gloves
 - Hold the machine at the points that offer a safe grip, taking into account the weight and relative distribution of the same
 - Use an appropriate number of people for the weight of the machine and the characteristics of the vehicle or the place where it must be placed or collected
 - You must make sure that machine movements do not cause damage or injuries.
2. During transport, make sure to fasten the machine securely with cables or straps.

Environmental Protection

1. Environmental protection should be a priority of considerable importance when using the machine, for the benefit of both social coexistence and the environment in which we live. Try not to cause any disturbance to the surrounding area.
2. You must comply with local regulations and provisions for the disposal of packaging, oils, petrol, filters, damaged parts or any elements which have a strong impact on the environment. This waste must not be disposed of as normal waste. It needs to be separated and taken to specified waste disposal centres where the material will be recycled.
3. You must comply with local regulations for the disposal of waste materials after mowing.
4. When disposing, do not pollute the environment with the machine, but hand it over to a disposal centre, in accordance with the local laws in force.

Recycling And Disposal



We do not offer a takeback scheme for the recovery of Waste Electrical Electronic Equipment (WEEE) & Batteries. Instead the responsibility to dispose of WEEE and or Batteries is passed onto you by us.

So when it becomes necessary to dispose of your machine you must take it to your local Civic Amenity Site. For further information please contact your local Authority for disposal advice.

You **MUST** make sure that all unused oil and fuel is disposed of correctly either beforehand or at your local Civic Amenity Site.

Under NO circumstances must any fuel or oil be put down any drains.

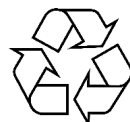
Certain products contain WEEE waste which should not be disposed of in your domestic waste.

You **MUST** recycle WEEE in accordance with your local authority or recycling centre.

Certain products contain batteries which should not be disposed of in your domestic waste.

You **MUST** recycle batteries in accordance with your local authority or recycling centre.

Unwanted packaging and materials should be stored and taken to a recycling centre so it can be disposed of in a manner which is compatible with the environment.



This symbol means you should 'Reduce - Reuse - Recycle'

Contact Us



Maintenance & Care

We are a Member of the VALPAK National Compliance Scheme and our registration number is **RM08660**

For further information about disposal please contact your Local Authority.

You can also get more advice and guidance about recycling at the following website <http://www.recycle-more.co.uk>

Should you pass this product on to another user either sold or loaned, you **MUST** pass on this user manual. This will make sure that all other users can use and maintain this machine safely.

Spare Parts

Only use original spare parts: The use of non-original and/or incorrectly fitted parts will jeopardize the safety of the machine, may cause accidents or personal injuries for which the Manufacturer is under no circumstance liable or responsible.

HYM3300E Part	HYM3300E Part Number
Blade	HYM3300EBLADE
Wheel	HYM3300EWHEEL
Grass Collector	HYM3300EGRASSBAG

Tips For Mowing

General Tips

- Maintain a constant cutting height of 3-5cm. Do not shorten the grass to less than half its original height.
- Under certain conditions, such as very tall grass, it may be necessary to raise the height of cut to reduce pushing effort, prevent overloading of the motor and leaving clumps of grass clippings.
- It may also be necessary to reduce ground speed and/or push the lawnmower over the area a second time. For extremely heavy cutting, reduce the width of cut by overlapping the previously cut path and mow slowly.
- Start mowing as close as possible to the power socket.
- Always keep the extension lead on the section of lawn that has already been cut.

How Often Should I Mow?

Spring (March, April & May)

Mow once a week on a high to medium height setting.

Summer (June, July & August)

Mow twice a week under good growing conditions on a low setting. In dry conditions, mow once a week on a medium to high height setting.

Autumn (September, October & November)

Mow once a week on a medium height setting.

Winter (December, January & February)

Mow as required on a high setting.

What Time Should I Mow?



Early Morning (6am-8am)

Grass could be wet and your lawnmower could leave tracks.



Mid Morning (8am-12pm)

Optimal time to mow - before the heat of the day.



Mid Day (1pm-4pm)

It is fine to mow your lawn in the middle of the day but it is not optimal.



Late Afternoon (4pm-6pm)

A great time to mow your lawn. The temperature will be cooler causing less stress for your lawn.



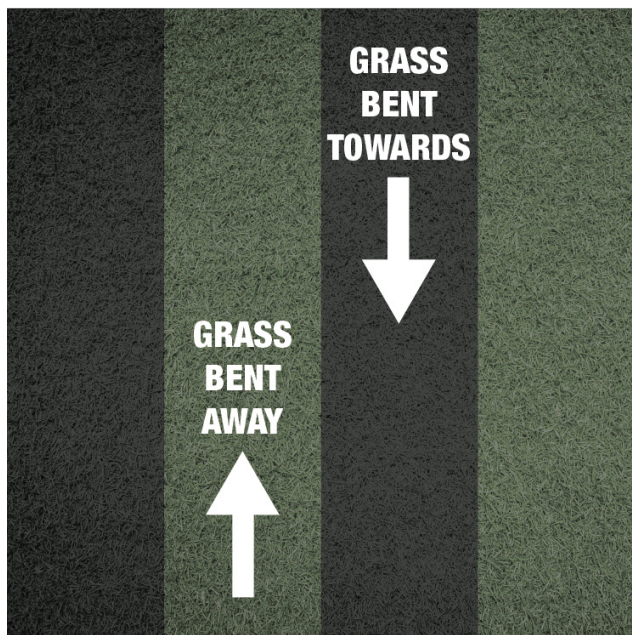
Early Evening (6pm-8pm)

This is not optimal time because your lawn needs time to recover before nightfall.



Lawn Striping Guide

How Are Stripes Created?

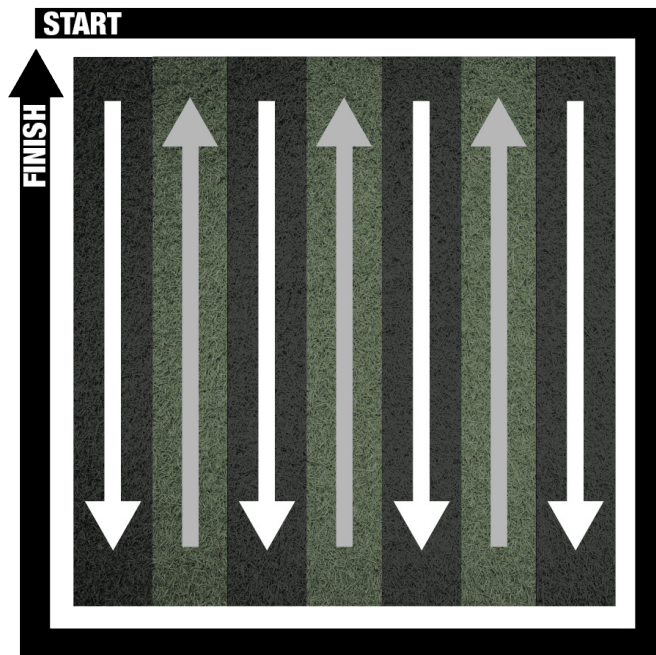


Stripes are created by light reflecting off the grass blades. Blades bent towards you appear dark and the grass blades facing away look lighter.

Stripes look best on a healthy and bright lawn. If your lawn is looking tired and dull, we recommend using our *HYSC210 Lawn Scarifier and Aerator*.

Scarification is the removal of moss, lawn clippings and dead grass blades from the stem of the grass to maintain a healthy growing environment. It is intensive airing of the lawn surface.

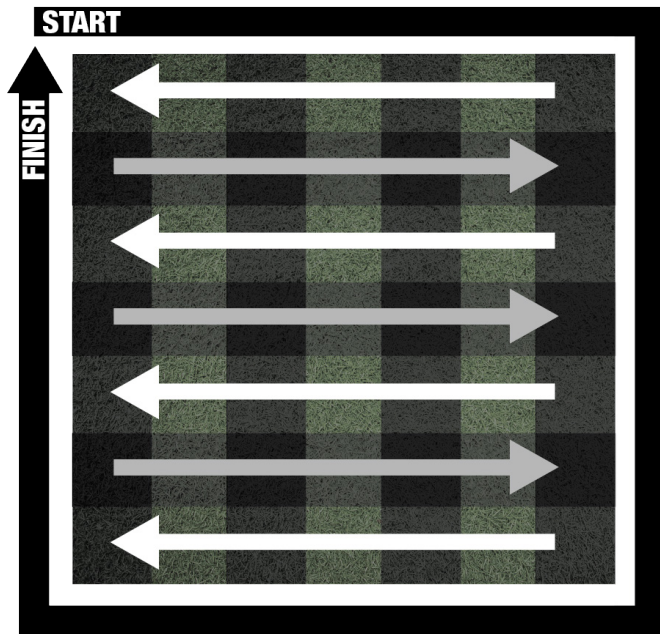
Basic Lawn Stripes



Firstly, mow the perimeter of the lawn then mow up and down in different directions for the remainder of the lawn. Going over the perimeter again at the end will tidy up the lawn after turning at the end of each row.

Lawn Striping Guide

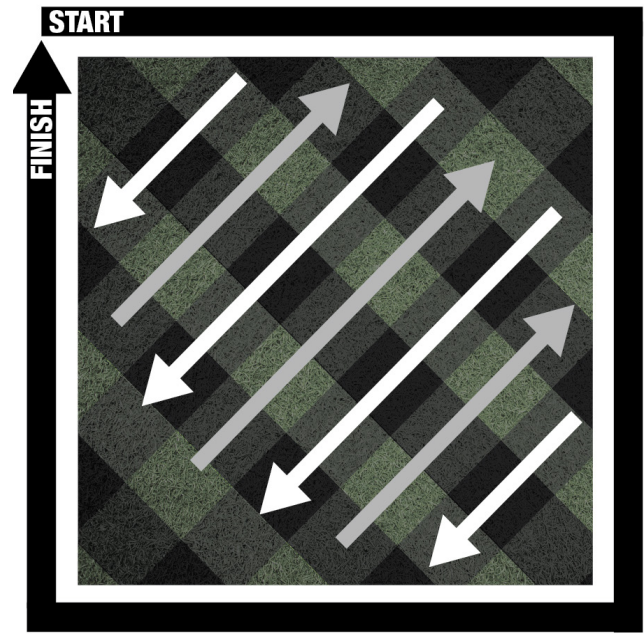
Checkerboard Lawn Stripes



Firstly, mow the perimeter of the lawn then mow up and down in different directions for the remainder of the lawn. Next, mow perpendicular to the direction you were mowing before.

For example, if you were mowing up and down, now mow left and right. Going over the perimeter again at the end will tidy up the lawn after turning at the end of each row.

Criss-Cross Lawn Stripes



To achieve this look, you simply follow the same process as the checkerboard pattern (left) but do it in a diagonal direction.

Contact Us

Our Product Range

Generators

Leisure Inverter, Petrol, Diesel And Built-In Motorhome Generators

Pressure Washers

Petrol, Diesel And Electric Pressure Washers

Water Pumps

Submersible, Clean And Dirty Water And Professional Chemical Water Pumps

Lawnmowers

Petrol, Cordless, Electric, Roller, Self Propelled And Electric Start Lawnmowers

Grass Trimmers And Brushcutters

Petrol, Cordless And Wheeled Grass Trimmers And Brushcutters

Chainsaws

Petrol, Cordless And Electric Chainsaws

Hedge Trimmers

Petrol And Cordless Hedge Trimmers

Leaf Blowers

Petrol, Electric, Cordless, Backpack And 3 -in-1 Leaf Blowers

Log Splitters

Horizontal, Vertical, Petrol And Electric Log Splitters

Wood Chippers

Petrol And Electric Start Wood Chippers

Tillers

Petrol Garden Tiller And Cultivator

Earth Augers And Trenchers

Petrol Earth Augers And Heavy Duty Trenchers

Compactor Plates

Petrol Compactor Plates

Cement Mixers

Portable Electric Cement Mixers

Mini Dumpers

4-Wheel Drive Mini Dumper / Power Barrow

Yard Sweeper

Self Propelled Yard Sweeper Power Brush

Scarifiers

Petrol Lawn Scarifier And Aerator

Stump Grinders

Petrol 4-Stroke Stump Grinders

Welders And Plasma Cutters

MIG, TIG, MMA, ARC Welders And Plasma Cutters

Power Tools And Tool Chests

Electric And Cordless Power Tools And Caster Mounted Tool Chests

Vacuum Cleaners

Wet And Dry Vacuum Cleaners

Engines

Petrol And Electric Start Engines

Battery Chargers / Starters

6V, 12V, 24V Battery Chargers, Jump Starters And Hydraulic Floor Jack

Air Compressors

Home, Domestic, DIY And Professional Use Air Compressors

Lighting Towers

Mobile Lighting Towers With Diesel Generators

And More

We Are Constantly Expanding Our Range With New Products

If you would like more information on any of these products, please contact our sales team on 01646 687880 or visit our website www.hyundaipowerproducts.co.uk

Useful Information

Check Out Our YouTube Channel

Our videos on YouTube include:

- Unboxing
- Assembly of your machine
- How to service your machine
- Products in use
- 'How To' videos
- Product features

Go to www.hyundaisupport.co.uk or search 'Hyundai Power Products' in YouTube.

Warranty

Register your 3 year warranty within 30 days of purchase at:
www.hyundaipowerequipment.co.uk/warranty

Full warranty terms and conditions can be found on the HYUNDAI POWER PRODUCTS website:
www.hyundaipowerproducts.co.uk

Manual Updates

Our manuals are constantly being reviewed and updated. Should you find an error, omission or something unclear, please contact us for assistance.

We reserve the right to make any modifications without prior notice whenever necessary.

Our latest manuals are also placed online. All our manuals can be downloaded at:
www.hyundaipowerproducts.co.uk

Returning Your Product

If you are returning your product, please contact the dealer for their returns policy.

Leaving A Review

We work very hard to give all of our customers the best possible service.

If you have any problems, before leaving negative feedback, please contact us to give us a chance to resolve the issue.

We would be delighted if you left us positive feedback!

To leave a review, please go to:
uk.trustpilot.com/review/hyundaipowerequipment.co.uk

Ordering Spare Parts

Only use original spare parts: The use of non-original and/or incorrectly fitted parts will jeopardize the safety of the machine, may cause accidents or personal injuries for which the Manufacturer is under no circumstance liable or responsible.

Go to page 24 for part numbers.

Contact Us



Need Help? Talk To Our Experts

Contact Us

Our friendly aftersales team will be more than happy to help you.

Phone

Call our team on 01646 687880, open Monday-Friday 8.30am-5pm.

Email

aftersales@hyundaipowerproducts.co.uk

Online Live Chat

Go to www.hyundaipowerproducts.co.uk

Live chat is open Monday-Friday from 8.30am-5pm.

Post

Genpower Limited, Isaac Way, Pembroke Dock, Pembrokeshire, SA72 4RW, UK.

As soon as you have purchased the machine, we recommend that you fill out the following. If you need to contact an authorised dealer or customer service for information on servicing, you may need to provide the following information.

The model number and serial number can be found on the grey specification sticker on the lawnmower deck.

Date Of Purchase:

Dealer Name:.....

Dealer Phone:.....

Model Number:.....

Serial Number:.....

Declaration Of Conformity

EC Declaration of Conformity

We hereby declare that the machine detailed in this declaration complies to all the relevant provisions of the following EC directives.

- 2006/42/EC The Machinery Directive
- 2014/30/EU Annex II Electromagnetic Compatibility Directive
- 2011/65/EU Low ROHS Directive
- 2000/14/EC Noise Emissions in the Environment by Equipment for use Outdoors.

And is in conformity with the applicable requirements of the following documents:

- EN 60335-1:2012+A11:14+A3:17+A1:2019+A2:2019+A14:2019
- EN 60335-2-77:2010
- EN62233:2008

Declaration for 2000/14/EC Noise Emissions in the Environment by Equipment for use Outdoors.

Notified Body for EC Directive 2000/14/EC Intertek Testing Services Hangzhou

Model	Type	Motor Size	Measured Sound Power	Guaranteed Sound Power	Cutting width
HYM3300E	Electric Lawn	1200W	81.3dB(A)	96dB(A)	33cm
HYM3800E	mower	1600W	81.3dB(A)	96dB(A)	38cm

Product Details

Brand: Hyundai

Model: HYM3300E, HYM3800E

Description: Electric Lawn mower

Name and address of technical documentation holder and EU distributor:

Genpower Ltd, Isaac Way, Pembroke Dock, Pembrokeshire, SA72 4RW, UK.

Signed by:

Roland Llewelin, Managing Director

Date: 10/02/2020

Contact Us



www.hyundaipowerproducts.co.uk



01646 687 880



aftersales@hyundaipowerproducts.co.uk

HYUNDAI

POWER PRODUCTS

Importer:
GENPOWER LTD
Isaac Way, London Road,
Pembroke Dock, UNITED KINGDOM, SA72 4RW
T: +44 (0) 1646 687 880 F: +44 (0) 1646 686 198
E: info@hyundaipowerproducts.co.uk
www.hyundaipowerproducts.co.uk

Imported/Distributed by Genpower Ltd for The United Kingdom & Ireland

Licensed by Hyundai Corporation, Korea