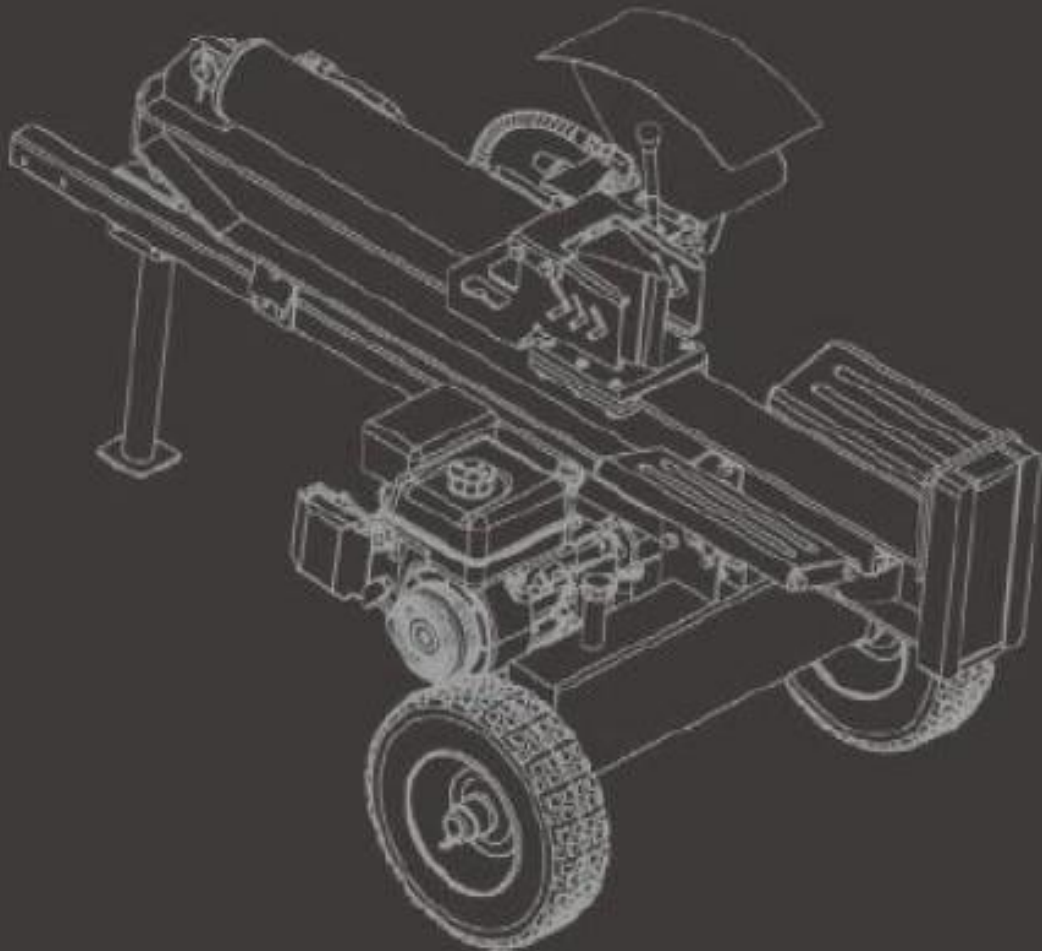


HYUNDAI
POWER PRODUCTS

25 TONNE PETROL LOG SPLITTER HYLS2500T

User Manual



INDEX

	CONTENTS	PAGE NO.S
1	SAFETY	3 - 7
2	MACHINE SPECIFIC SAFETY	7 - 8
3	PART LOCATIONS	9
4	ASSEMBLY	10 - 14
5	STARTING PROCEDURE	15
6	STOPPING PROCEDURE	16
7	USING THE MACHINE	17 - 19
8	MAINTENANCE	20 - 24
9	TROUBLESHOOTING	25
10	SPECIFICATION	26
11	RECYCLING & PRODUCT DISPOSAL	27
12	DECLARATION OF CONFORMITY	28
13	MANUAL UPDATES	29
14	WARRANTY	29
15	CONTACT DETAILS	29

1. SAFETY

- 1.1 **General Safety Notes.**
- 1.2 The operator of the machine is responsible for, and has a duty of care in making sure that the machine is operated safely and in accordance with the instructions in this user manual. Keep the manual safe and pass it on if the machine is loaned or sold to another user.
- 1.3 Please note the following safety points.
- 1.4 The machine should never be left in a condition which would allow an untrained or unauthorised person/s to operate this machine.
- 1.5 All due care and diligence should be taken by the operator for the safety of and with regard to those around whilst using the machine.
- 1.6 Some or all of the following - warning signs, symbols and/or PPE pictograms may appear throughout this manual. You **MUST** adhere to their warnings. Failure to do so may result in personal injury to yourself or those around you.



DANGER

Indicates a hazard, which, if not avoided, could result in serious injury or death.



WARNING

Indicates a hazard, which, if not avoided, could result in serious injury.



CAUTION

Indicates a hazard which, if not avoided, might result in minor or moderate injury.



NOTE

Indicates a situation that could easily result in equipment damage.

READ and keep the manual safe and pass it on if the machine is loaned or sold to another user. You **MUST** fully understand all instructions to ensure you use and operate the machine safely.

Appropriate Personal Protective Equipment (PPE), **MUST** be worn at all times when operating or repairing the machine.



HAND PROTECTION MUST BE WORN



EYE PROTECTION MUST BE WORN



PROTECTIVE CLOTHING MUST BE WORN



HEARING PROTECTION MUST BE WORN



FOOT PROTECTION MUST BE WORN



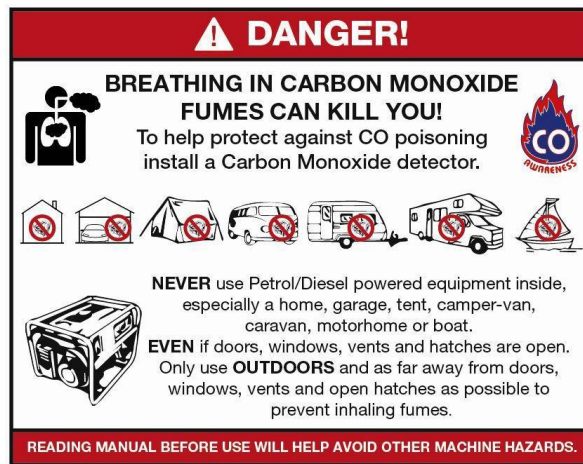
HEAD PROTECTION MUST BE WORN



RESPIRATOR MUST BE WORN



FACE SHIELD MUST BE WORN



1.10 Carbon Monoxide (where applicable).

1.11 Carbon monoxide is a colourless and odourless gas. Inhaling this gas can cause death as well as serious long term health problems such as brain damage.

1.12 The symptoms of carbon monoxide poisoning can include but are not limited to the following;
Headaches, dizziness, nausea, breathlessness, collapsing or loss of consciousness.

1.13 Carbon monoxide poisoning symptoms are similar to flue, food poisoning, viral infections and simply tiredness. It is quite common for people to mistake this very dangerous poisoning for something else.

1.14 To avoid carbon monoxide poisoning **DO NOT** use Petrol/Diesel powered equipment inside any of the following; Home, garage, tent, camper van, mobile home, caravan or boat. This is not exhaustive and if you are in any doubt contact your dealer.

1.15 If you think you have or someone around you has been affected by carbon monoxide poisoning;

1.16 Get them fresh air immediately, by leaving the affected area or by opening doors and windows. If safe and practical to do so make sure that the machine is turned off. **DO NOT** enter a room you suspect of having carbon monoxide present – instead call the emergency services.

1.17 Contact a Doctor immediately or go to Hospital – let them know that you suspect carbon monoxide poisoning.

1.18 **DO NOT** use in an enclosed area or moving vehicle.

1.20 General Fuel Safety (where applicable).



CAUTION

ALL FUELS ARE FLAMABLE

1.21 Fire Hazard – keep fuel away from all sources of ignition for example heaters. Lamps, sparks from grinding or welding.



1.22 **DO NOT** carry out hot work on tanks that have contained fuel.

1.23 **ALWAYS** keep the work area tidy.

1.24 **ALWAYS** clean up spills promptly using absorbent granules and a lidded bin.

1.25 **ALWAYS** dispose of waste fuels correctly.

1.30 **Fueling/De-fueling (where applicable).**



CAUTION

ALL FUELS ARE FLAMABLE

1.31 **ALWAYS** fuel and defuel in a well ventilated area outside of buildings.

1.32 **ALWAYS** wear correct, suitable and fit for purpose Personal Protective Equipment (PPE), suggested items are but not limited to safety gloves, overalls.



1.33 When fueling/de-fueling **ALWAYS** avoid inhaling fumes.

1.34 When de-fueling **ALWAYS** use a proper fuel retriever.



1.35 **ALWAYS** carry fuel in the correct and clearly marked container.

1.40 **Electrical Safety (where applicable).**

1.41 Electricity can kill – **NEVER** work on LIVE/ENERGISED equipment.

1.42 Prior to carrying out any maintenance work you **MUST** identify electrical isolation methods and isolate all electrical supplies.

1.43 Prior to use and with all electrical supplies isolated, you **MUST** check all electrical cables, plugs and connectors for the following;

1.44 Are intact and have no signs of damage, to include but not limited to bare wires, chaffing, cuts and loose wiring.

1.45 If there are any signs of damage, the damage item **MUST** be taken out of service until the damage has been repaired by an electrically competent person.

1.46 All trailing cables should be routed so as not to cause any kind of trip hazard.

1.47 **NEVER** work on or near electricity with wet hands, wet clothing and wet gloves.



1.50 Batteries (where present).

- 1.51** Batteries present a risk if they become damaged by the possible leaking of electrolyte. This electrolyte is an acid and can cause serious burn injuries. Care should be taken when working on or near them. **NOTE** the electrolyte may be in a liquid or gel form.
- 1.52** Should you come in to contact with electrolyte you should;
- 1.53** Remove all clothing contaminated with electrolyte. If you cannot remove then saturate them in water.
- 1.54** Get medical assistance as soon as possible. You must advise the medical staff of the type of acid.
- 1.55** Lead/acid battery = dilute sulphuric acid.
- 1.56** Nickel/cadmium = potassium hydroxide alkali electrolyte.
- 1.57** Use fresh running water to wash off excess electrolyte, continue this until medical assistance arrives. Make sure that you do not wash the electrolyte to another part of your body or face.
- 1.58** If electrolyte comes in to contact with Eyes the electrolyte needs to be immediately washed away with large amounts of water. Make sure that you do not wash the electrolyte to another part of your face or body.
- 1.59** Gasses from charging batteries are highly flammable and great care should be taken to charge in well ventilated areas.

1.59.1



There is an explosion risk if the battery terminals are short circuited, when connecting/disconnecting **ALWAYS** exercise great care so that the terminals or battery leads are **NOT** allowed to touch and cause a spark. **ALWAYS** use suitable insulated tools.

1.60 Vibrations (where applicable).

- 1.61** Prolonged use of hand held (operated) machines will cause the user to feel the effects of/from vibrations. These vibrations can lead to white finger (Raynaud's phenomenon) or carpal tunnel syndrome. This condition reduces the ability of the hand to feel and regulate temperature, causing numbness and heat sensations and may cause nerve damage and circulatory tissue death.
- 1.62** Not all factors that lead to white finger disease are known, but cold weather, smoking and other diseases that affect blood vessels and blood circulation as well as large and long-lasting impact of shocks are considered factors in the formation of white finger. Note the following to reduce the risk of white finger and carpal tunnel syndrome;
- 1.63** Wear gloves and keep your hands warm.
- 1.64** Take regular breaks.
- 1.65** All of the above precautions may help reduce the risk of white finger disease but not rule out the carpal tunnel syndrome. Long-term and regular users are therefore recommended to observe the condition of your hands and fingers. Seek medical attention immediately if any of the above symptoms should occur.
- 1.70** **Noise (where applicable).**

- 1.71 The operating noise of the machine can damage your hearing. Wear hearing protection such as earplugs or ear defenders to protect your hearing. Long-term and regular users are advised to have hearing checked regularly. Be especially vigilant and cautious when hearing ear protection because your ability to hear alarm warnings will be reduced.
- 1.72 Noise emissions for this equipment is unavoidable. Carry out noisy work at approved times and for certain periods. Limit the working time to a minimum. For your personal protection and protection of people working nearby it is also advisable for them to wear hearing protection.
- 1.73 See CERTIFICATE of CONFORMITY section for Outdoor Noise declaration of conformity.



2. MACHINE SPECIFIC SAFETY

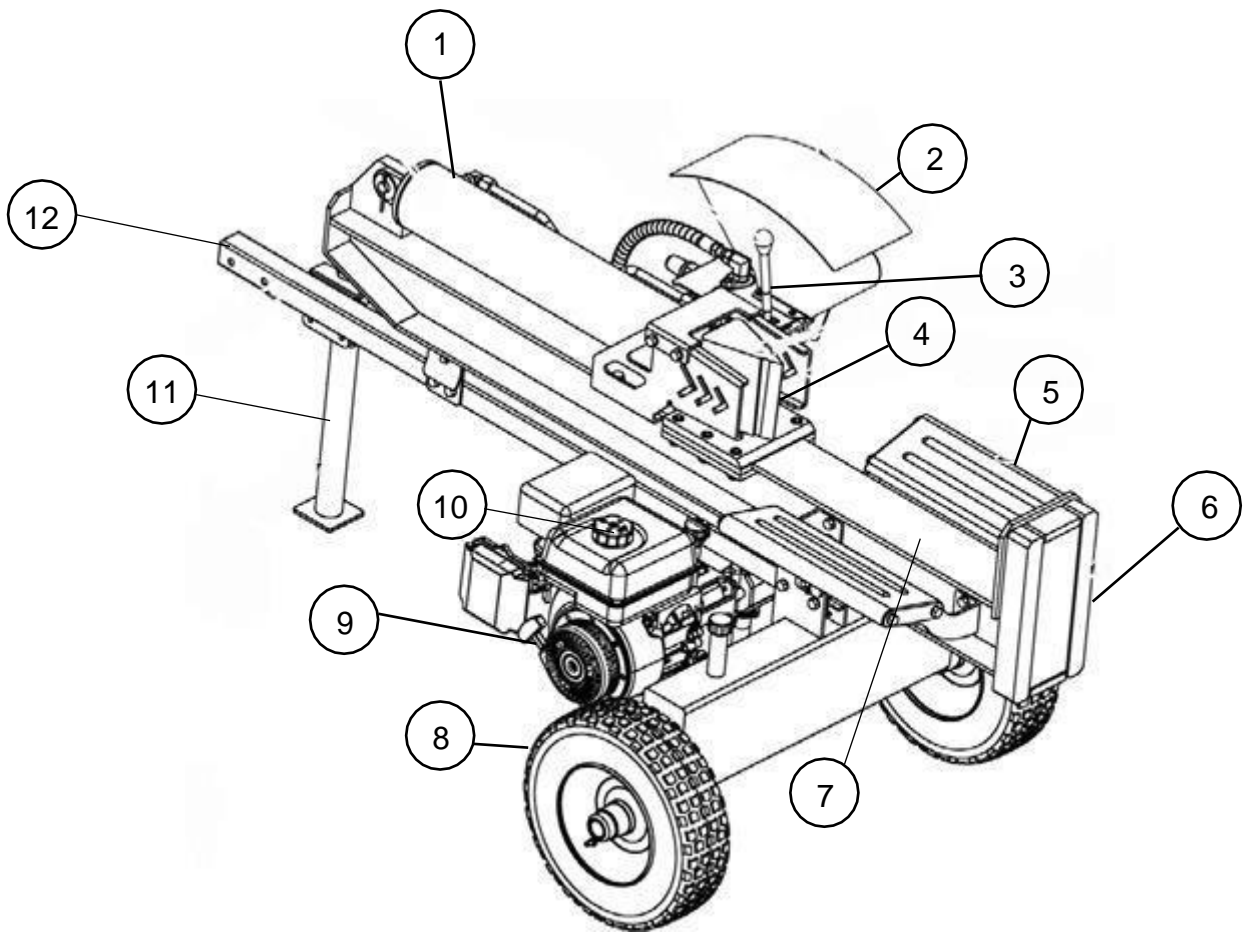
- 2.0 Read, understand and follow all instructions on the machine and in the manual before attempting to assemble and operate.
Keep this manual safe for future reference and for ordering replacement parts.
- 2.1 Be familiar with all controls and their proper operation. Know how to stop the machine and disengage it quickly.
- 2.2 Never allow children under the age of 16 to operate this machine.
Children 16 and over should read and understand the instructions and safe operation practices in this manual and on the machine and be trained and supervised by an adult.
- 2.3 Never allow adults to operate this machine without proper instruction.
- 2.4 Many accidents occur when more than one person operates the machine.
No helper is allowed to assist in stacking logs.
- 2.5 Keep bystanders, pets and children at least 25 feet (7.6m) from the machine when it is in operation.
- 2.6 Never allow anyone to ride on this machine.
- 2.7 Never transport cargo on this machine.
- 2.8 Hydraulic log splitters develop high fluid pressures during operation. Fluid escaping through a pinhole opening can penetrate your skin and cause blood poisoning, gangrene or death.
Give attention to the following instructions at all times:
- DO NOT** check for leaks with your hand.
- DO NOT** operate the machine with frayed, kinked, cracked or damaged hoses, fittings or tubing.

Stop the engine and relieve hydraulic system pressure by cycling the valve control lever from forward to reverse several times while the engine is not running. Return to neutral before repairing or adjusting fittings, hoses, tubing or other system components.

DO NOT adjust the pressure settings of the pump or valve.

- 2.9 Leaks can be detected by passing cardboard or wood over the suspected areas. **ALWAYS** wear safety gloves and eye protection when checking. Look for discolouration of the cardboard or wood.
- 2.10 If injured by escaping fluid seek medical attention immediately. Serious infection or reaction can develop if proper medical treatment is not administered immediately.
- 2.11 Keep the operator zone and adjacent area clear for safe, secure footing.
- 2.12 If your machine is fitted with an internal combustion engine and is intended for use near and unimproved forest, brush or grass covered land, the engine exhaust should be equipped with a spark arrestor. Make sure you comply with applicable local, state and federal codes. Take appropriate firefighting equipment with you.
- 2.13 **NEVER** use the log splitter for any purpose other than splitting wood. It is designed for this use only. Any other use can cause serious injury or death.
- 2.14 **NEVER** leave this machine unattended with the engine running.
- 2.15 **DO NOT** operate the machine while under the influence of alcohol, drugs or medication.
- 2.16 **ALWAYS** use the machine with all safety equipment in place and working. Make sure all controls are operating properly for safe operation.
- 2.17 When splitting a log, always keep both hands on the two control handles. **NEVER** use your foot, a rope or any extension device to operate the control lever or stabilise a log.
- 2.18 **NEVER** place hands or feet between the log and splitting wedge during the forward or reverse stroke as this could result in serious injury or death.
- 2.19 **NEVER** straddle or step over the log splitter during operation.
- 2.20 **NEVER** try to split two logs on top of each other.
- 2.21 **NEVER** touch the exhaust or other hot areas of the engine during operation.
- 2.22 **NEVER** move the log splitter while the engine is moving.

3. PART LOCATIONS



1	Hydraulic Cylinder	7	Beam
2	Safety Guard	8	Wheels
3	Control Handle	9	Recoil Starter Handle
4	Splitting Wedge	10	Fuel Filler Cap
5	Log Tray	11	Flip Down Stand
6	End Plate	12	Tongue

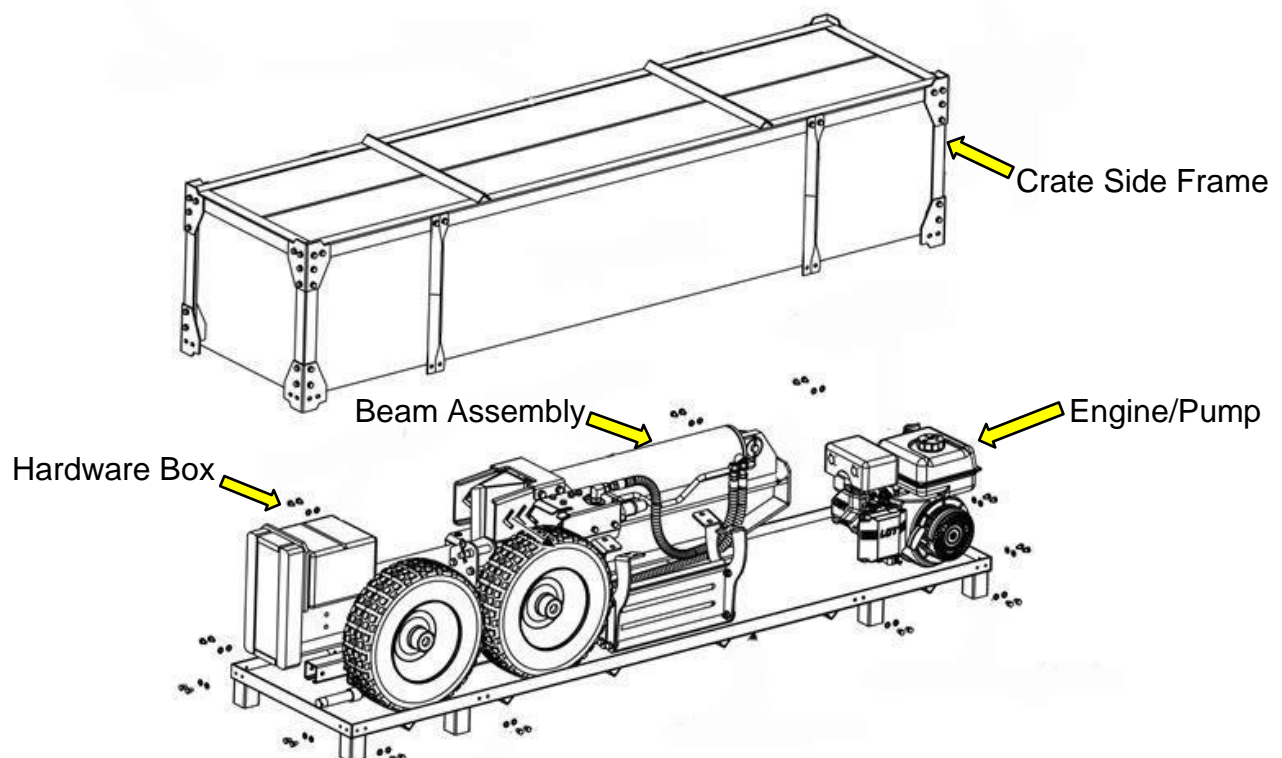
4. ASSEMBLY



CAUTION

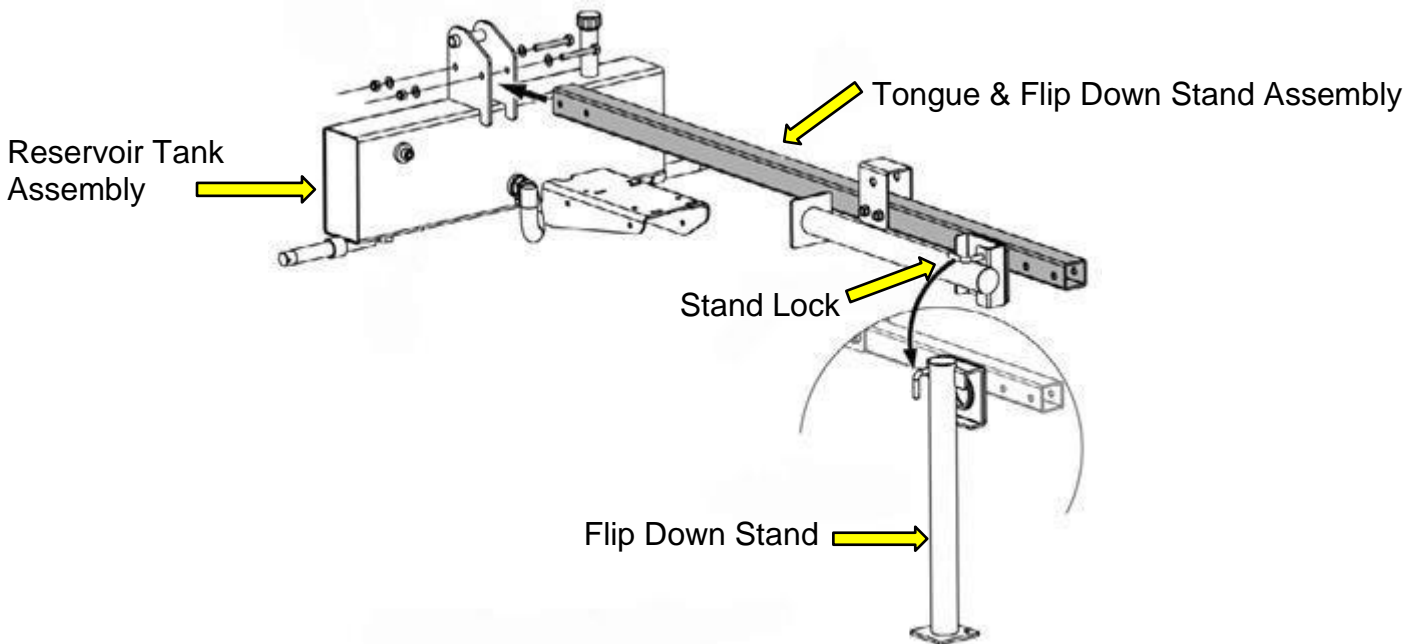
Use extreme caution when unpacking this machine. Some components are heavy and will require additional assistance or mechanical handling equipment.

- 3.0 Use a 13mm spanner to remove the bottom bolts securing the crate side frames onto the crate, then lift up and remove.

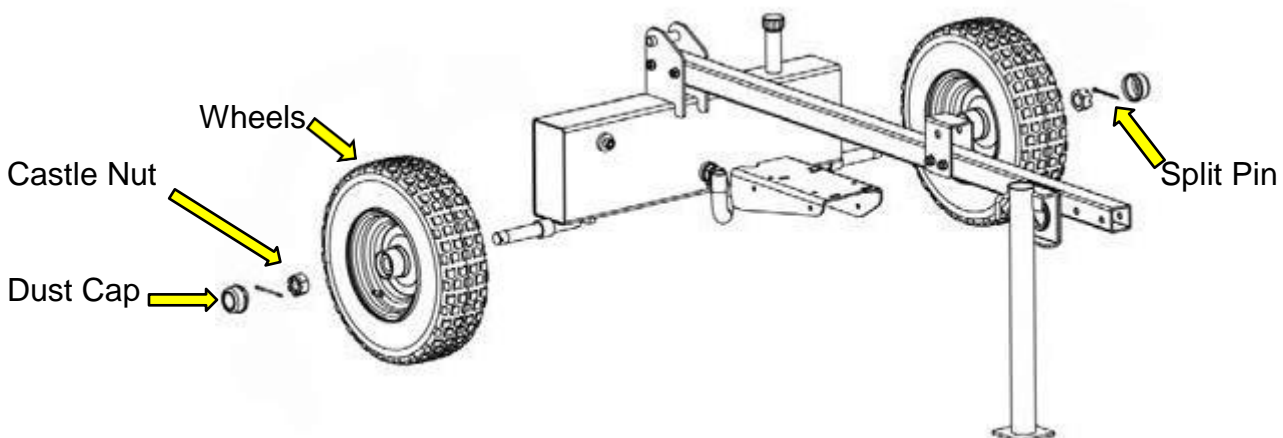


- 3.1 Remove all parts from the crate.
DO NOT remove the strap securing the hydraulic hose assemblies to the beam at this time.
- 3.2 Due to the size and weight of the unit, it is recommended to ask for assistance when moving parts.
- 3.3 Inspect all component parts and accessories to make sure all the items listed in the packing list are included and there is no shipping damage.
- 3.4 **DO NOT** discard the packing materials until you have carefully inspected and operated the tool.

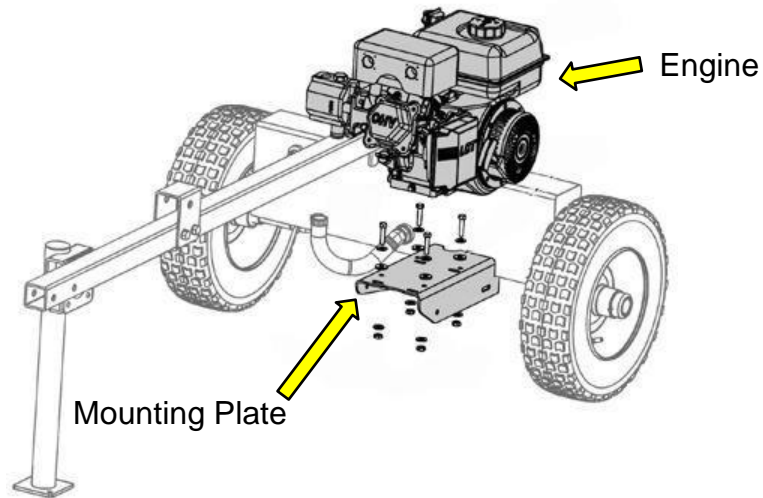
- 3.5 Remove the M10 hardware from the beam support bracket on the tank using a 16mm spanner for the bolts and 17mm spanner for the lock nuts. Attach the tongue to the reservoir assembly and screw on the hardware you just removed and tighten.
- 3.6 Pull out the spring loaded lock handle of the flip down stand which holds the stand along the tongue. Then the stand will automatically flip down towards the ground and be secure in position.



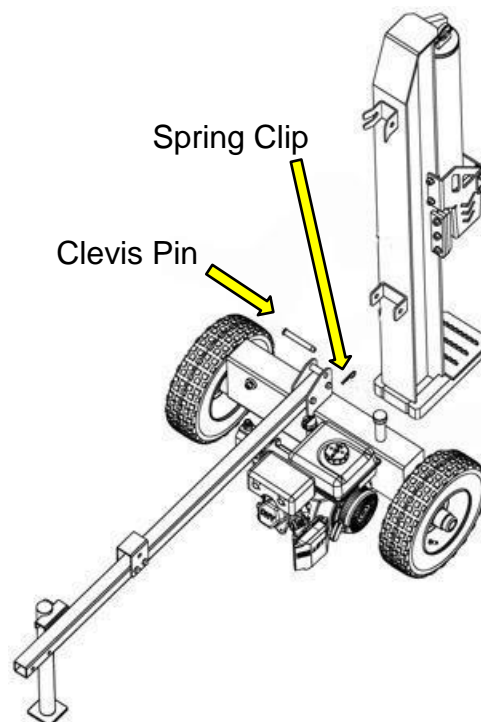
- 3.7 Raise the reservoir tank assembly off the ground on some wooden blocks before mounting. Remove the plastic shipping caps from the wheels and position the wheels onto the wheel axles.
- 3.8 Screw the castle nuts onto the axles and tighten with an adjustable wrench to seat the bearings. Back the castle nuts off one half turn so they line up with the hole in the axle.
- 3.9 Insert the split pin into the slot of the castle nut and the hole in the axle. Then bend the ends of the pin using needle nose pliers keeping it close to the castle nut so the dust cap fits over it.
- 3.10 Tap the dust caps onto the wheel using a soft faced hammer.



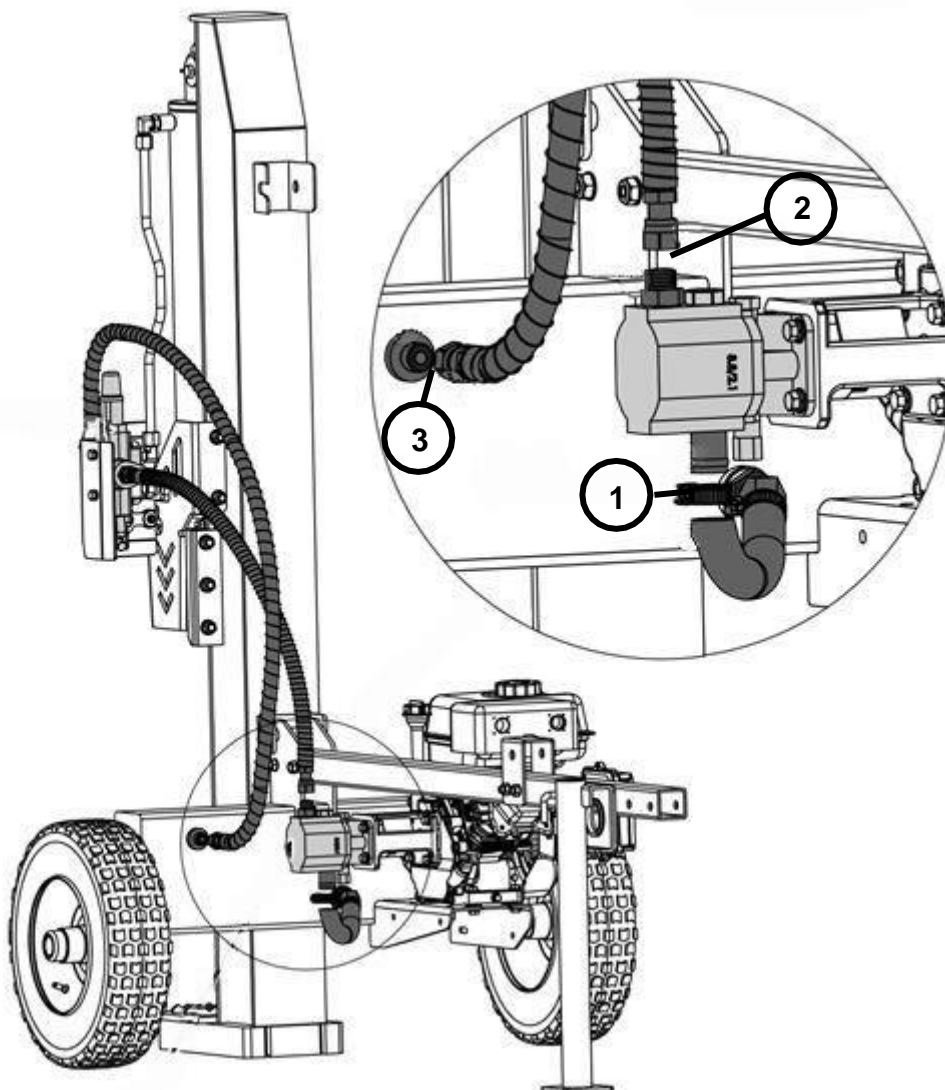
- 3.11 Insert a vibration isolator between the engine and mount plate at each of the four mounting hole positions.
- 3.12 Secure the engine with the hardware provided, then tighten using two 13mm spanners.



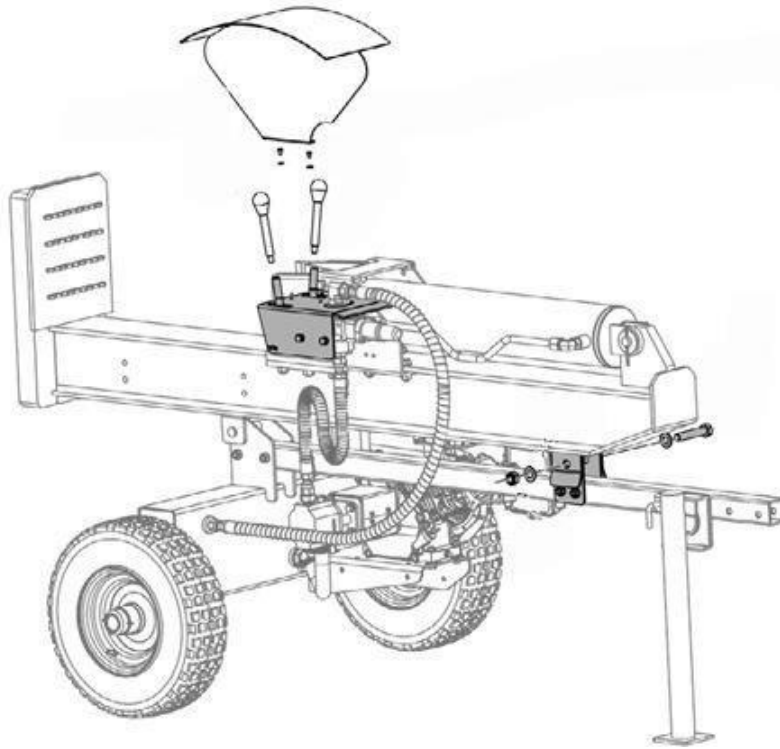
- 3.13 With assistance, stand the beam upright on flat level ground. Be aware of pinch points.
- 3.14 Remove the clevis pin and spring clip from the beam support bracket on the tank.
- 3.15 Position the tongue/tank assembly so that the beam support bracket is between the two tabs on the beam.
- 3.16 Slide the clevis pin through the aligned holes and secure with the spring clip. You may need assistance to lift up the tongue for the holes to align.
- 3.17 Leave the beam in the vertical position for the following assembly steps.



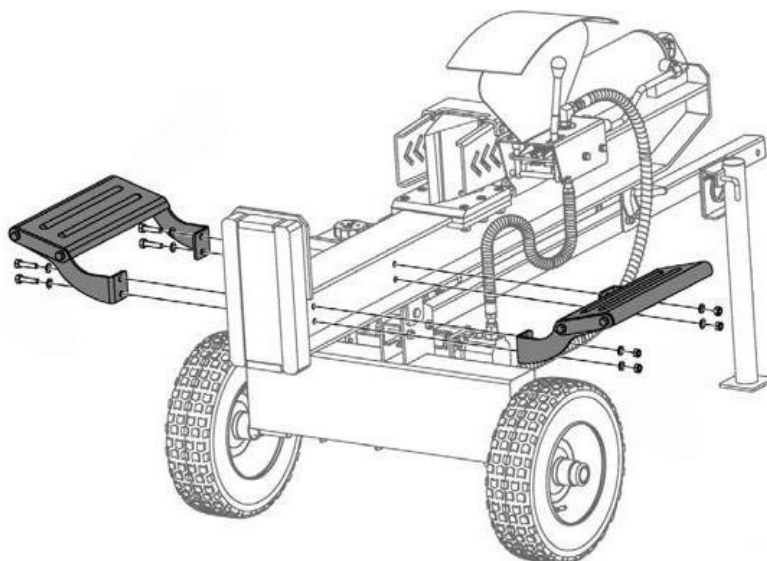
- 3.18 There are three hydraulic hoses listed below, each of them has one end fixed to the log splitter by the manufacturer and the other end still needs to be attached. The hoses are labelled on the ends for easy installation.
- 3.19 Oil suction Hose labelled as 1, comes from the bottom of the reservoir. Loosen the hose clamp on the open end of the hose using a flat head screwdriver. Connect the hose to the fitting on the bottom of the pump which is also labelled as 1. Tighten the hose clamp.
- 3.20 Pump/Valve connecting hose labelled as 2, comes from the bottom of the valve on the beam assembly. Screw the open end of this hose onto the fitting on top of the pump which is also labelled as 2. Tighten using a 27mm spanner.
- 3.21 Oil return hose labelled as 3, comes from the top of the valve on the beam assembly. Screw the open end of this hose onto the fitting on the reservoir tank which is also labelled as 3. Make sure an O-ring $\varnothing 15 \times 1.9$ is sitting inside the fitting slot. Or you can find a spare O-ring in hardware kit #5-1, tighten the hose using a 32mm spanner.



- 3.22 Lower the beam to a horizontal position. Use the M14 hardware in hardware pack #8 to lock the beam to the tongue permanently. Tighten the M14 hardware using a 22mm spanner on the bolts and a 24mm spanner on the lock nuts. **DO NOT** remove the M10 hardware to stand up the beam during operation.
- 3.23 Screw on the two control handle levers.
- 3.24 Install the safe guard using the M6 hardware in hardware kit #8.



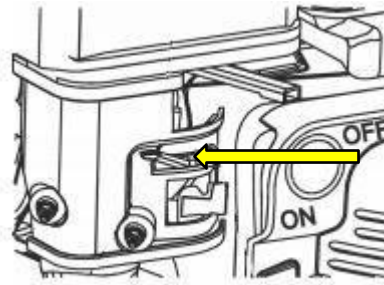
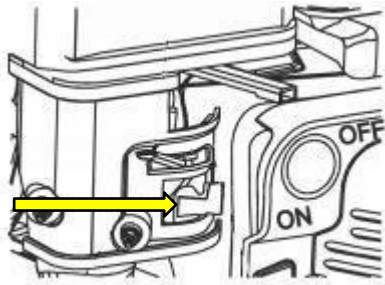
- 3.25 Position the log tray frames onto the beam as shown below and secure with the M10 hardware using a 16mm spanner on the bolts and a 16mm spanner on the lock nuts.



5. STARTING PROCEDURE

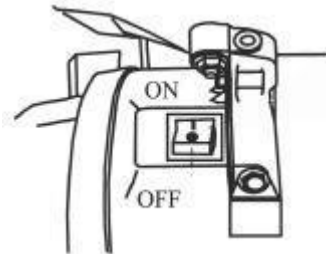
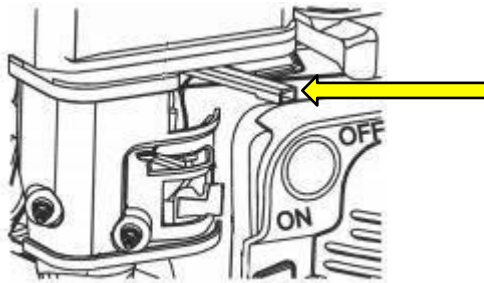
4.0 Turn the fuel tap to the ON (OPEN) position.

4.1 Turn the choke lever to the CLOSED (OFF) position.
If the engine is warm, do not close the choke.



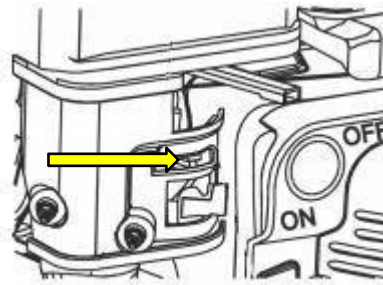
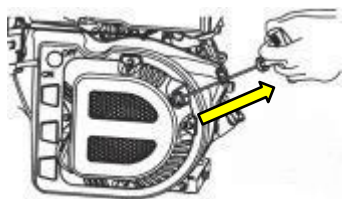
4.2 Move the throttle lever to the left.

4.3 Turn the engine switch to the ON position.

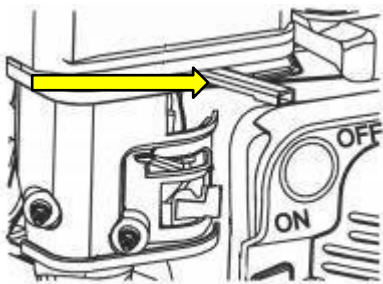


4.4 Gently pull the recoil starter handle until resistance is felt.
Then pull the recoil starter handle swiftly until the engine starts.

4.5 Once the engine has started, gently push back the choke lever to the OPEN position.

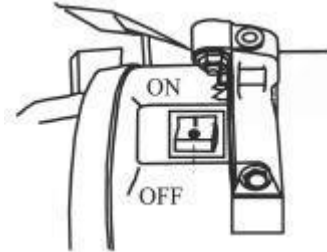
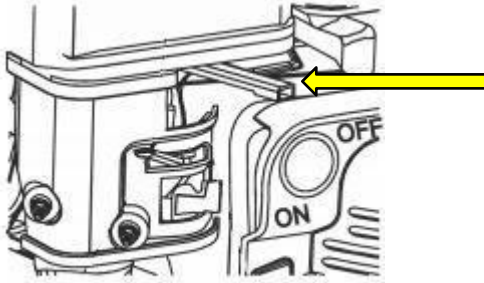


4.6 Move the throttle lever to the correct position to allow the engine to run at the required RPM.

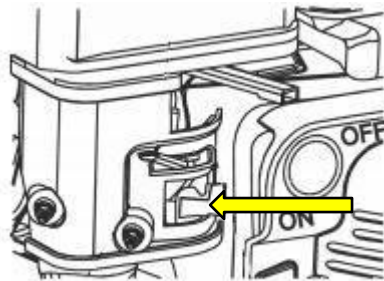


6. STOPPING PROCEDURE

- 5.0 Move the throttle lever to a low speed position and allow to idle for 30 seconds
- 5.1 Push the engine switch to the OFF position.



- 5.2 Move the fuel tap to the OFF position.



7. USING THE MACHINE



WARNING

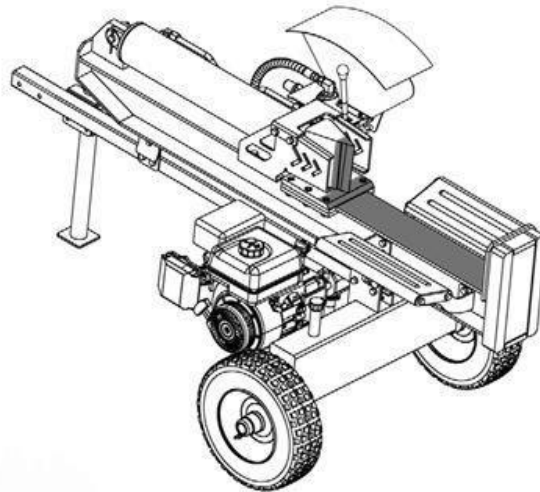
This machine is shipped dry of petrol, engine oil and hydraulic oil and **MUST** be filled before operation.



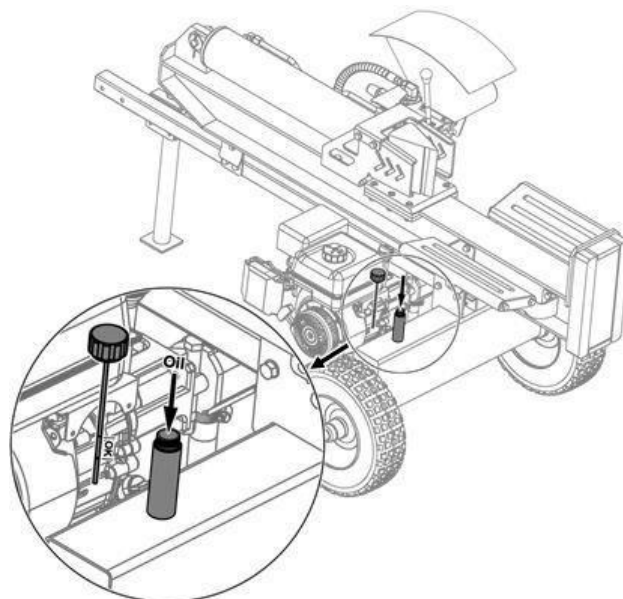
WARNING

All fuels are flammable and must be handled and stored correctly. **ALWAYS** ensure there is adequate ventilation when handling fuels.

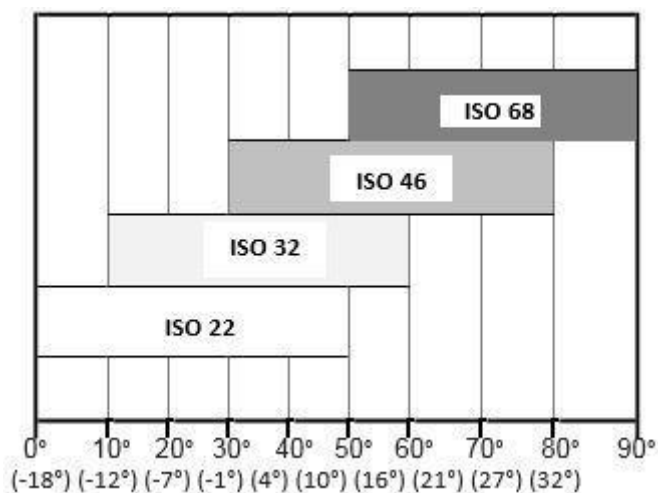
- 6.0 Lubricate the beam area where the splitting wedge will slide with engine oil. **DO NOT** use grease.



- 6.1 To fill the hydraulic oil, remove the vented reservoir dipstick which is located next to the engine on top of the reservoir tank.



- 6.2 Select the hydraulic oil based on the outside temperature range the log splitter will be used in.
Refer to the chart provided to select the appropriate hydraulic oil.



- 6.3 Approved fluids include Shell Tellus® S2 M 32 Hydraulic Fluid, Dexron III® / Mercon® automatic transmission fluid, Pro-Select™ AW-32 Hydraulic Oil or 10WAW-ISO viscosity grade 32 hydraulic oil.
It is NOT recommended that fluids be mixed, to top off the reservoir tank during initial set-up use Shell Tellus® S2 M 32 Hydraulic Fluid only.
- 6.4 Slowly fill the reservoir with the recommended hydraulic oil until the oil level reaches the maximum line on the dipstick.
- 6.5 Replace the vented dipstick into the reservoir.
- 6.6 Fill the fuel tank with straight unleaded petrol.
DO NOT overfill and allow a 25mm gap at the top of the fuel tank.
If fuel is accidentally spilled, clear up immediately before restarting the engine.
- 6.7 Remove the engine oil filler dipstick and slowly fill with a semi-synthetic SAE 15W40 engine oil to the upper mark on the dipstick.
Stop occasionally to check the level before adding more.
- 6.8 Start the engine and use the control handle to engage the wedge to the farthest extended position and then retract.
Repeat the operation for 12 cycles so as much of the fluid will be drawn into the cylinder and hoses.
Stop the engine and check the hydraulic oil level.

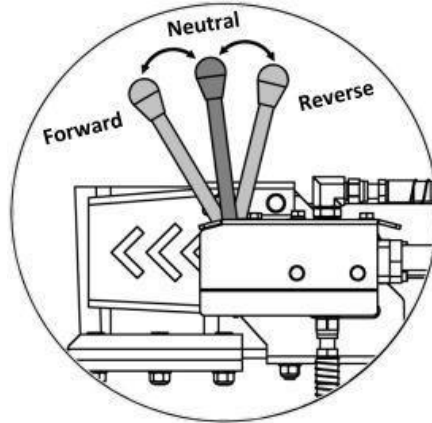


NOTE

Make sure the oil level is above the bottom line on the dipstick. If not, refill the reservoir to prevent damage to the hydraulic pump.
DO NOT overfill. Some fluid may overflow from the vent plug as the system builds heat and the fluid expands and seeks a balanced level.

- 6.9 You **MUST** check all fluid levels before each operation.

6.10 The control handles have three positions.



6.11 **Forward** – To split wood. Move both handles to the FORWARD position to move the wedge towards the log to split.

NOTE: Release either control handle and the wedge will stop moving forward.

6.12 **Neutral** – To stop the wedge. Release both control handles and both levers will return to the NEUTRAL position. This will stop the wedge movement at any point during the forward or reverse action.

6.13 **Reverse** – To return the wedge. Engage both control handles to the REVERSE position, the wedge will return to the cylinder.

NOTE: Release either control handle and the wedge will stop moving.



WARNING

If the control handles on your log splitter are not functioning properly **STOP USE IMMEDIATELY** and contact an authorised service dealer.

6.14 Start the engine as instructed in section 5.

6.15 Place the log on top of the beam against the end plate.
ALWAYS split the wood in the direction of the grain.

6.16 Use both hands to push the control handle levers to the forward position to split the wood.

6.17 Release either or both control handles at any time to stop wedge movement at any point in the splitting process if you feel an unsafe splitting condition is occurring.
NEVER reach forward and attempt to catch a falling piece of wood, allow it to fall.

6.18 Once the log is split or the wedge is fully extended, move both control handles to the reverse position to return the wedge.

DO NOT hold the handles at the forward position when the wedge is fully extended as this can damage the hydraulic system and void your warranty.

6.19 If split wood is stuck to the wedge, move the control handles to the reverse position until the wedge is fully retracted to allow the partially split wood to contact the log dislodger.

NEVER remove partially split wood from the wedge with your hands. Fingers may become trapped between the split wood.

8. MAINTENANCE

WARNING

If the control handles on your log splitter are not functioning properly, **STOP IMMEDIATELY** and consult your dealer.

CAUTION

DO NOT attempt to service, repair or replace the control valve. Contact an authorised service dealer.

CAUTION

DO NOT attempt to adjust or modify the control valve or the hydraulic system from its original settings in any way.

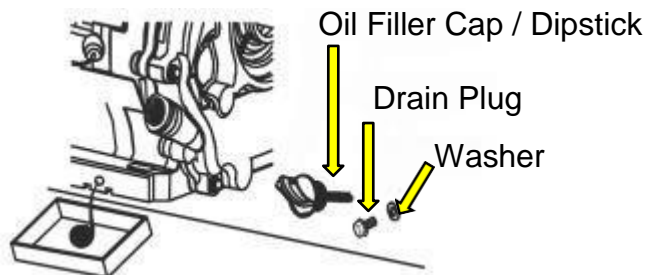
		Daily	First month or 20 hours	Each Session or 50 Hours	Every 6 months or 100 hours	Each year or 300 hours
Engine Oil	Check level	X				
	Replace		X		X	
Reduction Gear Oil	Check Level	X				
	Replace		X		X	
Hydraulic Oil	Check Level	X				
	Replace				X	
Beam & Splitting Wedge	Lubricate	X				
Air Filter	Check	X				
	Clean			X	X	
	Replace					X
Carburetor Bowl	Clean				X	
Spark Plug	Clean, Adjust				X	
	Replace					X
Idling	Check, Adjust					X
Fuel Tank & Filter	Clean					X
Fuel Lines	Check	X				



CAUTION

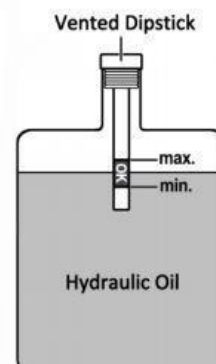
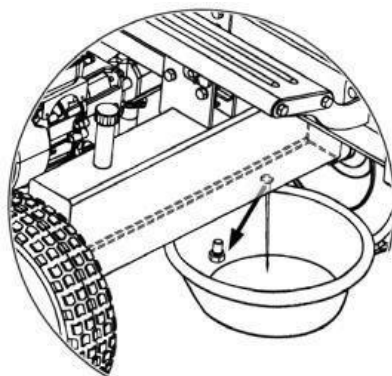
Stop the engine and allow to cool before carrying out any maintenance.
This machine uses a semi-synthetic 15W40 engine oil.

- 7.0 To replace the engine oil, remove the oil filler cap / dipstick.
- 7.1 Place a suitable container underneath the oil drain plug.
- 7.2 Unscrew the oil drain plug and allow all the oil to drain into the container.
- 7.3 Replace the oil drain plug and washer.
- 7.4 Slowly refill the oil through the oil filler cap until you reach the upper mark on the dipstick.
Stop filling occasionally to check the oil level.



HYDRAULIC OIL

- 7.5 Place a suitable container underneath the hydraulic oil tank.
- 7.6 Unscrew the hydraulic oil drain plug from the bottom of the reservoir.
- 7.7 Allow all the fluid to drain in to the container.
- 7.8 Replace the hydraulic oil drain plug and tighten securely.
- 7.9 Refill the hydraulic oil reservoir following the procedure in section 6.0.



AIR FILTER

CAUTION

Never let the engine run without the air filter being fitted. A dirty air filter element affects the engine performance, increases fuel consumption and makes it difficult to start.

If you notice a loss of engine power, check the air filter.

You **MUST** make sure that the air filter housing is free of dust and debris.

DO NOT allow any dust or debris to enter the carburetor.

- 7.10 Put the choke lever to the closed position to prevent dirt from entering the carburetor.
- 7.11 Remove the screw from the air filter housing (1) and remove the air filter box (2).
- 7.12 Remove the air filter cover (3).
- 7.13 Remove the air filter element (4).
- 7.14 Wash the air filter element in a lukewarm soap solution.
- 7.15 Allow the air filter element to dry naturally.
- 7.16 Once dry, soak the air filter element in fresh engine oil and then squeeze out the excess.
- 7.17 Re-install the air filter by reversing the procedure above.

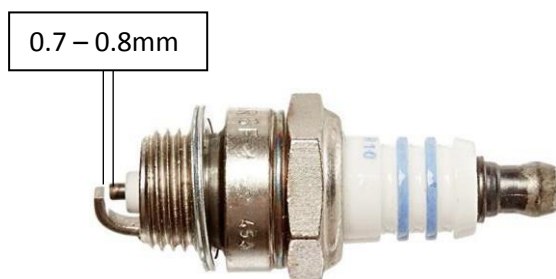
SPARK PLUG

WARNING

The spark plug **MUST** be tightened with a torque of 12 – 15Nm otherwise the engine will overheat causing damage.

Only complete the following steps after the engine has been turned off and allowed to cool.

- 7.18 Carefully remove the spark plug HT lead cap.
- 7.19 Unscrew the spark plug using the plug wrench provided.
- 7.20 Check the spark plug for visible damage and electrode erosion.
- 7.21 If damaged you **MUST** replace the spark plug.
- 7.22 Remove carbon deposits from the spark plug using a soft wire brush.
- 7.23 The spark plug gap should be 0.7 – 0.8mm.
Check the gap using a feeler gauge and adjust as necessary by carefully bending the side electrode to achieve the correct gap.



- 7.24 Check the spark plug washer for damage and replace if required.
- 7.25 Refit the spark plug by hand to make sure it does not cross thread.
- 7.26 Tighten the spark plug to a torque of 12 - 15 Nm.
- 7.27 Reattach the spark plug HT lead cap.

CARBURETOR

WARNING

Petrol is extremely flammable.

ALWAYS fuel and defuel in a well ventilated area with the engine turned off, allowed to cool and the HT spark Plug lead cap removed.

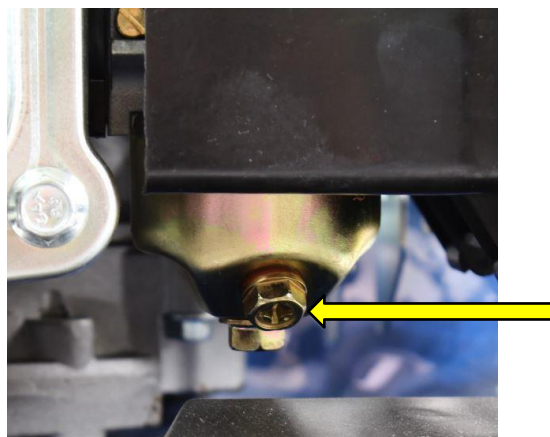
Keep clear of naked flames, fire or any other forms of ignition.

ALWAYS clear up any spills before use.

CAUTION

ALWAYS wear the correct Personal Protective Equipment (PPE) when carrying out any maintenance or repairs on the machine.

- 7.28 Ensure the area is dry and free from dust.
- 7.29 Turn the fuel tap to the OFF position and place a suitable container underneath the carburetor.
- 7.30 Loosen the carburetor float bowl drain plug to allow the fuel to drain from the float bowl.
- 7.31 Reinstall the fuel drain plug and tighten securely.



CLEANING



CAUTION

DO NOT use a pressure washer or hose pipe to clean the machine. Water could penetrate the engine and cause irreversible damage.

DO NOT use solvent based cleaning products on plastic parts.

- 7.32 Clean the machine and its accessories thoroughly after every use.
- 7.33 Clean moveable parts on a regular basis.
- 7.34 Keep the handles free of oil and grease.
- 7.35 Make sure that the ventilation slots for engine cooling are free from debris.
- 7.36 Keep the engine cooling fins free from dust and dirt.

TRANSPORTING

- 7.37 Ensure the machine is turned off and the spark plug HT lead cap has been removed.
- 7.38 Make sure no fuel is allowed to leak during transport.
- 7.39 Secure the machine so it will not move during transport.

STORAGE

- 7.40 If the log splitter is to be stored for more than 30 days, then prepare it for storage as follows.
- 7.41 Drain all the fuel from the fuel tank and carburetor float bowl.
- 7.42 Run the engine until it stops to clear all the fuel from the fuel lines.
- 7.43 Drain the engine oil and replace with fresh oil.
- 7.44 Remove the spark plug HT lead and then remove the spark plug.
- 7.45 Pour one teaspoon of fresh engine oil down the cylinder bore.
- 7.46 With the spark plug removed, crank the engine 3 or 4 times to distribute the oil along the cylinder bore.
- 7.47 Replace the spark plug.
- 7.48 Clean the machine as per the cleaning instructions in section 7.32

9. TROUBLESHOOTING

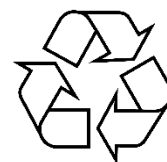
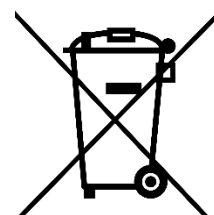
Problem	Cause	Remedy
Cylinder rod will not move	<ol style="list-style-type: none"> 1. Broken drive shaft. 2. Shipping plugs left in hydraulic hoses. 3. Set screws in coupling not adjusted properly. 4. Loose shaft coupling. 5. Gear sections damaged. 6. Damaged relief valve. 7. Hydraulic lines blocked. 8. Low oil level or air trapped in hydraulic system. 9. Damaged control valve. 10. Blocked control valve. 	<ol style="list-style-type: none"> 1. See authorized service dealer. 2. Disconnect hydraulic hoses, remove shipping plugs, and reconnect hoses. 3. See authorized service dealer. 4. Correct engine/pump alignment as necessary. 5. See authorized service dealer. 6. See authorized service dealer. 7. Flush and clean hydraulic system. 8. Fill oil or bleed air. 9. See authorized service dealer. 10. Flush and clean hydraulic system
Slow cylinder shaft speed while extending and retracting	<ol style="list-style-type: none"> 1. Gear sections damaged. 2. Excessive pump inlet vacuum. 3. Slow engine speed. 4. Damaged relief valve. 5. Low oil level or air trapped in hydraulic system. 6. Contaminated oil. 7. Control valve leaking internally. 8. Internally damaged cylinder. 	<ol style="list-style-type: none"> 1. See authorized service dealer. 2. Make certain pump inlet hoses are clear and unblocked. Use short, large diameter inlet hoses. 3. See authorized service dealer. 4. See authorized service dealer. 5. Fill oil or bleed air. 6. Drain oil, clean reservoir and refill. 7. See authorized service dealer. 8. See authorized service dealer
Leaking Cylinder	<ol style="list-style-type: none"> 1. Worn seals. 2. Scored cylinder. 	<ol style="list-style-type: none"> 1. See authorized service dealer. 2. See authorized service dealer.
Wood will not split or wood splits too slowly	<ol style="list-style-type: none"> 1. Small gear section damaged. 2. Pump check valve leaking. 3. Excessive pump inlet vacuum. 4. Low oil level or air trapped in hydraulic system. 5. Contaminated oil. 6. Control valve leaking internally. 7. Overloaded cylinder. 8. Internally damaged cylinder. 	<ol style="list-style-type: none"> 1. See authorized service dealer. 2. See authorized service dealer. 3. Make certain pump inlet hoses are clear and unblocked. 4. Fill oil or bleed air. 5. Drain oil, clean reservoir and refill. 6. See authorized service dealer. 7. Do not attempt to split wood against the grain. 8. See authorized service dealer.
Leaking pump shaft seal	<ol style="list-style-type: none"> 1. Broken drive shaft. 2. Engine/pump misalignment. 3. Gear sections damaged. 4. Damaged shaft seal. 5. Plugged oil breather. 	<ol style="list-style-type: none"> 1. See authorized service dealer. 2. Correct alignment as necessary. 3. See authorized service dealer. 4. See authorized service dealer. 5. Make certain reservoir is properly vented.
Wedge continues to move forward when control handle is released	<ol style="list-style-type: none"> 1. Damaged control valve 	<ol style="list-style-type: none"> 1. See authorized service dealer.
Control handle does not return to neutral when released from forward position	<ol style="list-style-type: none"> 1. Hydraulic fluid too cold. 2. Hydraulic fluid too thick. 3. Hydraulic fluid contaminated. 4. Damaged control valve. 	<ol style="list-style-type: none"> 1. Warm up engine. 2. Replace hydraulic fluid. 3. Replace hydraulic fluid. 4. See authorized service dealer.

10. SPECIFICATION

MODEL	HYLS25000T
Engine	IC210
Power	7 hp
Fuel Type	Unleaded Petrol
Starting Method	Recoil
Engine Oil	Semi-Synthetic 15W40
Pump	2 Stage 41 lpm
Hydraulic Oil	<p>Approved fluids include Shell Tellus® S2 M 32 Hydraulic Fluid, Dexron III® / Mercon® automatic transmission fluid, Pro-Select™ AW-32 Hydraulic Oil or 10WAW-ISO viscosity grade 32 hydraulic oil.</p> <p>It is NOT recommended that fluids be mixed, to top off the reservoir tank during initial set-up use Shell Tellus® S2 M 32 Hydraulic Fluid only.</p>
Max Splitting Force	25 Tonnes
Hydraulic Pressure	27 MPa
Maximum Log Length	520 mm
Maximum Log Diameter	400 mm
Wedge Height	178 mm
Hydraulic Capacity	18 liters
Dimensions (L x W x H)	2171 x 1016 x 1003 mm
Net Weight	200 Kgs

12. RECYCLING & PRODUCT DISPOSAL

- 8.0 We do not offer a takeback scheme for the recovery of Waste Electrical Electronic Equipment (WEEE) & Batteries.
Instead the responsibility to dispose of WEEE and or Batteries is passed onto you by us.
So when it becomes necessary to dispose of your machine you must take it to your local Civic Amenity Site.
For further information please contact your local Authority for disposal advice.
- 8.1 You **MUST** make sure that all unused oil and fuel is disposed of correctly either beforehand or at your local Civic Amenity Site.
Under NO circumstances must any fuel or oil be put down any drains.
- 8.2 Certain products contain WEEE waste which should not be disposed of in your domestic waste.
- 8.3 You **MUST** recycle WEEE in accordance with your local authority or recycling centre.
- 8.4 Certain products contain batteries which should not be disposed of in your domestic waste.
- 8.5 You **MUST** recycle batteries in accordance with your local authority or recycling centre.
- 8.6 Unwanted packaging and materials should be stored and taken to a recycling centre so it can be disposed of in a manner which is compatible with the environment.
- 8.7 The following symbol means that you should 'Reduce – Reuse – Recycle'.
- 8.8 We are a Member of the VALPAK National Compliance Scheme and our registration number is **RM08660**
- 8.9 For further information about disposal please contact your Local Authority.
- 8.10 You can also get more advice and guidance about recycling at the following website.
<http://www.recycle-more.co.uk>
- 8.11 Should you pass this product on to another user either sold or loaned, you **MUST** pass on this user manual.
This will make sure that all other users can use and maintain this machine safely.



13. DECLARATION OF CONFORMITY

Genpower Ltd confirms that these Hyundai products conform to the following CE directives;

2006/42/EC Machinery Directive
2004/108/EC EMC Directive
2000/14/EC, Amended by 2005/88/EC Noise Emissions Directive
97/68/EC_2010/26/EC NRMM Emissions Directive

Conforms to the Directive: -

2000/14/EC, Amended by 2005/88/EC (as amended)

of the European Parliament and of the council on the approximation of the laws of the Member States relating to the noise emission in the environment by equipment for use outdoors.

Equipment Category:	Garden Machinery
Product Name/Model:	HYLS2500T
Type/Serial No:	Log Splitter
The technical documentation is kept by:	Roland Llewellyn, Genpower Ltd, Isaac Way, Pembroke Dock, Pembrokeshire, SA72 4RW.

The conformity assessment procedure followed was in accordance with annex VI of the Directive.

Notified Body:	TÜV Rheinland LGA Products GmbH, Tilleystraße 2 D-90431, NÜRNBERG S50273644
Certificate Number	S50273644
Measured Sound Power Level:	<u>92dB(A)</u>
Guaranteed Sound Power Level:	<u>92dB(A)</u>

A copy of this certificate has been submitted to the European Commission and to EU Member State United Kingdom.

Place of Declaration:	Pembroke Dock, SA72 4RW
Date:	12/02/2017
Signed by:	Roland Llewellyn
Position in Company:	Managing Director
Name and address of manufacturer or <u>Authorised</u> representative:	Genpower Ltd, Isaac Way, Pembroke Dock, Pembrokeshire, SA72 4RW.

R J Llewellyn

13. MANUAL UPDATES

- 9.0 Our manuals are constantly being reviewed and updated.
- 9.1 Should you find an error, omission or something you find unclear please contact your dealer for assistance.
- 9.2 Our latest manuals are also placed online.
- 9.3 We reserve the right to make any modifications without prior notice wherever necessary.

14. WARRANTY

- 10.0 To register your machine for the manufacturer's warranty, please visit:
<http://www.hyundaipowerequipment.co.uk/warranty>

15. CONTACT DETAILS

- | | | |
|------|-----------------|--|
| 11.0 | POSTAL ADDRESS | Genpower Ltd, Isaac Way,
London Road, Pembroke Dock,
Pembrokeshire.
SA72 4RW. UK. |
| 11.1 | TELEPHONE | +44 (0) 1646 687880 |
| 11.2 | FAX | +44 (0) 0164 686198 |
| 11.3 | TECHNICAL EMAIL | aftersales@genpower.co.uk |
| 11.4 | WEBSITE | www.hyundaipowerequipment.co.uk |

HYUNDAI
POWER PRODUCTS

For Inquiries, Please Contact:

GENPOWER LTD
Isaac Way, London Road
Pembroke Dock, UNITED KINGDOM, SA72 4RW
T: +44 (0) 1646 687 880 F: +44 (0) 1646 686 198
E: info@hyundaipowerequipment.co.uk
www.hyundaipowerequipment.co.uk