

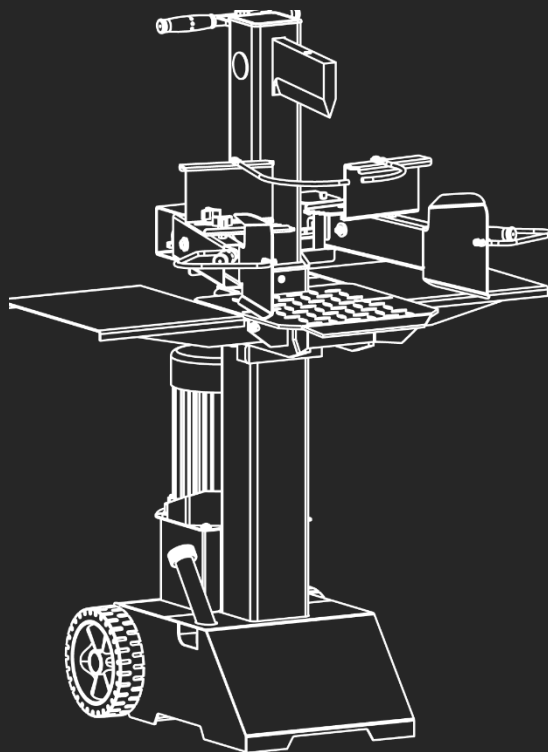
HYUNDAI
POWER PRODUCTS

VERTICAL LOGSPLITTER HYLS8000VE

Instruction Manual



GENUINE PRODUCT OF
HYUNDAI CORPORATION



WARNING: Read the instructions carefully before use.

Contents

Introduction.....	3	Recycling And Disposal.....	31
Safety Information.....	4-14	Declaration Of Conformity.....	32
Understand Your Machine.....	4	Notes.....	33
Personal Safety.....	4-5	Useful Information.....	34
Inspect Your Machine.....	5-6	Our YouTube Channel.....	34
Work Area.....	6	Warranty.....	34
During Use.....	7	Manual Updates.....	34
Batteries.....	8	Returning Your Product.....	34
Electricity.....	9	Leaving A Review.....	34
Double Insulated Devices.....	9	Ordering Spare Parts.....	34
Vibrations.....	10	Product Record.....	35
Noise.....	10	Contact Us.....	36
Residual Risks.....	10		
Intended Use.....	11		
Personal Protective Equipment.....	12		
Symbols On The Machine.....	13		
Unboxing.....	14		
In The Box.....	15		
Features.....	16		
Assembly.....	17-18		
Wheels.....	17		
Support Table.....	17		
Control Lever.....	18		
Adjustable Log Holder.....	18		
Operation.....	19-22		
Transport.....	19		
Delivery to Work Site.....	19		
Splitter Operation.....	20-22		
Maintenance & Care.....	23-28		
General Cleaning.....	23		
The Blade.....	23		
Replacing Hydraulic Oil.....	24		
Parts List.....	25-27		
Troubleshooting.....	28		
Specifications.....	29		
Wiring & Hydraulic Diagrams.....	30		

Introduction

Thank You For Purchasing Your HYUNDAI Product

We work very hard to give all of our customers the best possible service. If you have any problems, before leaving negative feedback, please contact us to give us a chance to resolve the issue. We would be delighted if you left us positive feedback! Thank you for purchasing this product.

Important!



WARNING: READ THE INSTRUCTION BOOKLET THOROUGHLY BEFORE USING THE MACHINE. Keep for future reference and pass it on if the machine is loaned or sold to another user.

This manual has been produced by Hyundai Power Products and should be kept with the product. Please read and understand these instructions before you use your product. Failure to do this may result in personal injury or damage to the product.

The safety precautions and warnings are to ensure your safety and protect you from harm or damage to the product.

The information contained in this manual was accurate at the time of production, however HYUNDAI Power Products may make modifications to the product without notification.

Safety Information

Understand Your Machine

- **WARNING!** You must read these instructions carefully before operating the machine. Make sure that you are familiar with the controls and properly operate the machine. You must learn how to stop the machine quickly. If you do not follow the warnings and instructions, it may result in fire and/or serious injury. Make sure to save all warnings and instructions for future reference.
- Read this manual and labels affixed to the machine to understand its limitations and potential hazards.
- Be thoroughly familiar with the controls and their proper operation. Know how to stop the machine and disengage the controls quickly.
- If the unit is to be used by someone other than original purchaser, or is to be loaned, rented, or sold, always provide this manual and any needed safety training before operation. The user can prevent and is responsible for accidents or injuries that may occur to themselves, to other people, or to property.
- Do not force the machine beyond its limits. Use the correct machine for your application.
- Know how to stop the machine quickly in case of emergency. Understand the use of all controls.
- ALL MAINTENANCE other than that listed in this manual, should be carried out by professionally trained and certified personnel.
- When using this machine for the first time and before actual work, you **MUST** learn how to handle the machine from an experienced or skilled person.

Personal Safety

- **WARNING!** Never allow children or people unfamiliar with these instructions to use the product. Local regulations can restrict the minimum age of the operator.
- Keep children, pets, and other people not using the unit away from the work area (at least 15m). Be alert and shut off the unit if anyone enters work area. Keep children under the watchful care of a responsible adult.
- Stay alert, watch what you are doing and use common sense when operating the machine. Never operate the machine when unwell or tired, or if you have taken alcohol, medicine, drugs or any substances which may slow your reflexes and compromise judgment. A moment of inattention while operating the machine may result in serious personal injury.
- Appropriate Personal Protective Equipment (PPE), **MUST** be worn at all times when operating or repairing the machine. Always wear anti-slip and resistant work footwear and long trousers while using the machine. Do not use the machine when barefoot, wearing sandals or similar lightweight footwear. Do not wear chains, bracelets or clothing that is loose fitting or hanging ties or cords. Tie long hair back. Always wear protective earplugs. Loose clothes, jewellery, or long hair can be caught in moving parts. Protect eyes, face, and head from objects that may be thrown from the unit. Always wear safety goggles or safety glasses with side shields when operating.
- Always keep hands and feet away from all moving parts during operation. Moving parts can cut or crush body parts. Always keep hands and feet away from all pinch points.

Safety Information

Personal Safety (Continued)

- Do not touch parts that might be hot from operation. Allow parts to cool before attempting to maintain, adjust, or service.
- Do not overreach. Keep proper footing and balance at all times. This enables better control of the machine in unexpected situations. Extending your body too far can result in a loss of balance and you may fall which will result in injury.
- Never place any part of your body where it would be in danger if movement should occur during assembly, installation, and operation, maintenance, repairing or moving.
- Keep in mind that the operator or user is responsible for accidents, hazards or unexpected events involving the machine that occur to other people or their property. It is the responsibility of the user to assess the potential risk of the area where work is being carried out. The operator or user must take all necessary precautions to ensure their own safety and that of others, especially on slopes or rough, slippery and unstable ground.

Inspect Your Machine

- Check your machine before starting it. Keep guards in place and in working order. Make sure all nuts, bolts, etc., are securely tightened.
- You must check the general condition of the machine before use.
- Never operate the machine when it is in need of repair or is in poor mechanical condition. Replace damaged, missing, or failed parts before using it. Check for fuel leaks. Keep the machine in safe working condition.
- Do not use the machine if the machine's switch does not turn off the machine when running. Any machine that can't be controlled with the switch is dangerous and must be replaced.
- Regularly check to see that keys and adjusting wrenches are removed from the machine area before starting it. A wrench or a key that is left attached to a rotating part of the machine may result in personal injury.
- If the machine should start to vibrate abnormally, stop the machine and check immediately for the cause. Vibration is generally a warning sign of trouble.
- Avoid accidental starting. Be sure the switch is off before transporting the machine or performing any maintenance or service on the unit. Transporting or performing maintenance or service on a machine with its switch on invites accidents.
- Do not tamper with or disable safety systems.
- Only use manufacturer-recommended attachments.
- Before using, always visually inspect to see that the tools are not worn out or damaged. Replace worn out or damaged elements and bolts in set to preserve balance.
- Keep the machine in good operating condition. Operating the machine in poor or questionable condition could result in serious injury.
- Be sure all safety devices are in working order and warning labels are in place. These items are installed for your safety.

Safety Information

Work Area

- You must only work in daylight or with good artificial light in good visibility conditions. Do not work at night, at times of heavy fog, or at any other times when your field of vision might be limited and it would be difficult to gain a clear view of the area.
- Keep people, children and animals away from the working area.
- Operate on flat, level ground.
- DO NOT work on wet ground. If there has been heavy rain on the working site, wait until the ground has dried up.
- Never park the machine in a place with unstable ground which could give way.
- You must be careful near ravines, ditches or embankments.
- Exercise extreme caution when operating on or crossing gravel drives, walks, or roads. Stay alert for hidden hazards or traffic.
- Do not work in the rain, when there is a thunderstorm or lightning risk, at times of strong or gale force winds, or at any other times when the weather conditions might make it unsafe to use this product. If there is bad weather conditions, do not use the machine.
- Make sure you thoroughly inspect the entire work area and remove all objects and anything that could be thrown by the machine or could damage the machine (branches, stones, wire, toys, etc). Attempting to clear the work area whilst using the machine will reduce your concentration and creates a trip hazard. Any liquid spilled on the floor may result in you slipping.
- Find and locate all fixed objects in the ground, such as sprinkler systems, poles, water valves, bases for washing lines etc. Make sure that you check for hidden electrical cables or similar on the surface of the lawn. ALWAYS run the machine around these objects. NEVER run the machine over foreign objects.
- DO NOT operate power tools in explosive atmospheres, such as in the presence of flammable liquids, gases or dust. Power tools may create sparks, which may ignite the dust or fumes.
- This machine is only for outdoor use.

Safety Information

During Use

- Do not operate the machine in confined areas where there may be a risk of crushing the operator between the machine and another object.
- Never attempt to make any adjustments, while the machine is running.
- You must switch off the machine:
 - Before checking or working on the machine.
 - When transporting the machine.
 - Whenever you leave the machine unattended.
 - If the machine starts to vibrate abnormally.
- **WARNING!** If something breaks or an accident happens whilst working, you must turn off the machine immediately and move the machine away to prevent further damage. If an accident happens with injuries or third parties are injured, carry out the first aid measures most suitable for the situation immediately and contact the medical authorities for any necessary health care. Carefully remove any debris that might cause damage or harm persons or animals should it not be seen.
- After striking a foreign object, stop the machine immediately and inspect the machine thoroughly for damage. Repair the damage before continuing.
- Keep extension cord away from cutting elements.
- Never operate the machine with damaged guards or without the guard in place.
- Keep hands and feet away from the cutting means at all times especially when switching on the motor.

Safety Information

Batteries (Where Present)

Batteries present a risk if they become damaged by the possible leaking of electrolyte. This electrolyte is an acid and can cause serious burn injuries. Care should be taken when working on or near them. **NOTE:** the electrolyte may be in a liquid or gel form.

Should you come in to contact with electrolyte you should;

- Remove all clothing contaminated with electrolyte. If you cannot remove then saturate them in water.
- Get medical assistance as soon as possible.

You must advise the medical staff of the type of acid.

- Lead/acid battery = dilute sulphuric acid.
- Nickel/cadmium = potassium hydroxide alkali electrolyte.
- Use fresh running water to wash off excess electrolyte, continue this until medical assistance arrives. Make sure that you do not wash the electrolyte to another part of your body or face.
- If electrolyte comes in to contact with Eyes the electrolyte needs to be immediately washed away with large amounts of water. Make sure that you do not wash the electrolyte to another part of your face or body.
- Gasses from charging batteries are highly flammable and great care should be taken to charge in well ventilated areas.



- There is an explosion risk if the battery terminals are short circuited, when connecting/disconnecting ALWAYS exercise great care so that the terminals or battery leads are NOT allowed to touch and cause a spark. ALWAYS use suitable insulated tools.

Electricity (Where Applicable)

DANGER : ELECTRICITY CAN KILL – NEVER WORK ON LIVE / ENERGISED EQUIPMENT.



- Prior to carrying out any maintenance work you MUST identify electrical isolation methods and isolate all electrical supplies.
- Prior to use and with all electrical supplies isolated, you MUST check all electrical cables, plugs and connectors for the following;
 - Are intact and have no signs of damage, to include but not limited to bare wires, chaffing, cuts and loose wiring.
 - If there are any signs of damage, the damaged item MUST be taken out of service until the damage has been repaired by an electrically competent person.
 - All trailing cables should be routed so as not to cause any kind of trip hazard.
 - NEVER work on or near electricity with wet hands, wet clothing and wet gloves.

Safety Information

Electricity (Continued)

- Power tools plug must match the outlet. Never modify the plug in any way. DO NOT use any adapter plugs with earthed (grounded) power tools. Unmodified plugs and matching outlets will reduce risk of electric shock.
- DO NOT expose this power tool to rain or wet conditions. Water entering a power tool will increase the risk of electric shock. DO NOT abuse the power cord. Never use the cord for carrying, pulling or unplugging the power tool. Keep the cord away from heat, oil and sharp edges or moving parts. Damaged or entangled cords increase the risk of electric shock. When operating a power tool, use an extension cord suitable for outdoor use. Use of a cord suitable for outdoor use reduces the risk of electric shock.
- **IMPORTANT:** Make sure that the electric circuit is fused, and that the power, voltage and frequency of the motor is supported by your mains supply. Also, make sure that your power supply is earthed. Connect your machine to earth. Never open the ON/OFF switchbox. However, if it should become necessary to do so, contact a qualified electrician. Make sure that you will never touch live contacts, specifically when you plug or unplug your machine. This machine and its power cord must never get into contact with water.
- Avoid body contact with earthed or grounded surfaces such as pipes, radiators, ranges and refrigerators. There is an increased risk of electric shock if your body is earthed or grounded.
- To prevent electric shock, use only with an extension cord suitable for outdoor use. For additional protection, the installation of a residual current device (RCD) having a rated residual operating current not exceeding 30mA is advisable.
- Before use, check that the extension cord is in good condition. When using an extension cord, make sure to use one heavy enough to carry the current your product will draw. An undersized cord will cause a drop in line voltage resulting in loss of power and overheating.
- Do not allow any part of the machine to make contact with water while it is in operation. If the appliance becomes wet while turned off, wipe dry before starting. Do not touch the appliance or its plug with wet hands or while standing in water. Wearing rubber boots offers some protection.
- Before use, check the supply and extension cord for signs of damage or aging. If the cord becomes damaged during use, disconnect the cord from the supply immediately. If the supply cord is damaged, it must be replaced by the manufacturer or a qualified person in order to avoid a hazard.

Double-Insulated Appliances

In a double-insulated appliance, two systems of insulation are provided instead of grounding. No grounding means that it is already provided on a double-insulated appliance. Servicing a double-insulated appliance requires extreme care and knowledge of the system, and should be performed only by qualified service personnel. Replacement parts for a double-insulated appliance must be identical to the parts they replace.

Safety Information

Vibrations (Where Applicable)

- Prolonged use of hand held (operated) machines will cause the user to feel the effects of/from vibrations. These vibrations can lead to white finger (Raynaud's phenomenon) or carpal tunnel syndrome. This condition reduces the ability of the hand to feel and regulate temperature, causing numbness and heat sensations and may cause nerve damage and circulatory tissue death.
- Not all factors that lead to white finger disease are known, but cold weather, smoking and other diseases that affect blood vessels and blood circulation as well as large and long-lasting impact of shocks are considered factors in the formation of white finger. Note the following to reduce the risk of white finger and carpal tunnel syndrome;
- Wear gloves and keep your hands warm.
- Take regular breaks.
- All of the above precautions may help reduce the risk of white finger disease but not rule out the carpal tunnel syndrome. Long-term and regular users are therefore recommended to observe the condition of your hands and fingers. Seek medical attention immediately if any of the above symptoms should occur.

Noise (Where Applicable)

- The operating noise of the machine can damage your hearing. When wearing protection such as earplugs or ear defenders to protect your hearing. Long-term and regular users are advised to have hearing checked regularly. Be especially vigilant and cautious when wearing ear protection because your ability to hear alarm warnings will be reduced.
- Noise emissions for this equipment is unavoidable. Carry out noisy work at approved times and for certain periods. Limit the working time to a minimum. For your personal protection and protection of people working nearby it is also advisable for them to wear hearing protection.



- See Certificate of Conformity section for Outdoor Noise declaration of conformity.

Residual Risks

Even when tool is used as prescribed it is not possible to eliminate all residual risk factors. The following hazards may arise in connection with the tool's construction and design:

1. Damage to lungs if an effective dust mask is not worn.
2. Damage to hearing if effective hearing protection is not worn.

Health defects resulting from vibration emission if the power tool is being used over longer period of time or not adequately managed and properly maintained.

▲ WARNING! This machine produces an electromagnetic field during operation. This field may under some circumstances interfere with active or passive medical implants. To reduce the risk of serious or fatal injury, we recommend persons with medical implants to consult their physician and the medical implant manufacturer before operating this machine.

Intended Use

The HYLS8000VE is a Log Splitter from Hyundai. The HYLS8000VE has a maximum working force of 8 Tons and is powered by a 3000W motor.

The operator is able to operate the machine and use the main controls, always staying behind the handle at a safe distance from the rotating blade. If the operator leaves the machine, the motor and cutting means will stop within a few seconds.

The Log Splitter is manufactured according to the latest safety requirements. Every precaution is only effective when it is followed exactly.

Intended Use

The basic version of the equipment is a log splitter intended for private use, i.e. for use in home and gardening environments.

The machine is suitable to be used outside with temperatures of a maximum of 32°C

User Types

This machine is intended for use by consumers, i.e. non professional operators. The machine is intended for “DIY” and domestic use only.

Improper Use

Any other usage not in keeping with the above mentioned ones may be hazardous and harm persons and/or damage things. Examples of improper use may include, but are not limited to:

- Use as work surface for anything other than splitting logs
- Use on normal lumber/timber to cut/trim
- Use of the machine by more than one person.

Safety Information

Personal Protective Equipment

Appropriate Personal Protective Equipment (PPE), MUST be worn at all times when operating or repairing the machine. No protective equipment can ensure 100% protection.

When selecting PPE, make sure it's CE marked and it suits the user in terms of size, fit, etc. If more than one item of PPE is worn at the same time, make sure they can be used together, e.g. wearing safety glasses may disturb the seal of a respirator, causing air leaks.



Hand Protection Must Be Worn

Protective electrically non-conductive gloves are highly recommended when working.



Foot Protection Must Be Worn

Non-skid heavy duty footwear are highly recommended when working.



Hearing Protection Must Be Worn

Suitable safety hearing protection is recommended.



Eye Protection Must Be Worn

Always wear safety glasses/goggles and/or face shields. Everyday eyeglasses have only impact resistant lenses; they are not safety glasses/goggles.



Protective Clothing Must Be Worn

Do not wear loose clothing, gloves, scarfs, neckties or jewellery (rings, wrist watches), which can be caught in moving parts.



Head Protection Must Be Worn

Wear a safety helmet with a safety visor.

















Face Shield Must Be Worn

Wear a face shield to protect your face.

Safety Information

⚠ Symbols On The Machine

We have provided safety messages in this manual and on the machine. This information alerts you to potential hazards that could hurt you or others. Please read these messages carefully. However, we may not have listed all of the possible hazards, you must also use your own judgement.

Symbol	Description	Symbol	Description
	Safety alert – Indicates a precaution, a warning or a danger.		Danger! Electric shock risk.
	Do not expose to rain.		Class II tools symbol.
	Read operator's manual.		Keep bystanders at a safe distance away from the work area.
	Dispose of the used oil in an environment-friendly way.		This product complies with the European directives and an evaluation method of conformity for these directives was done.
	Never Try to Attempt to remove jammed logs with your hands		DANGER! Moving Parts
	Keep bystanders at a safe distance away from the work area.		Switch off and unplug the device before cleaning or performing maintenance on it.
	This product should not be disposed of in domestic waste. Please contact your local recycling centre for disposal service.		Do not use the machine if the cable is damaged.

Unboxing

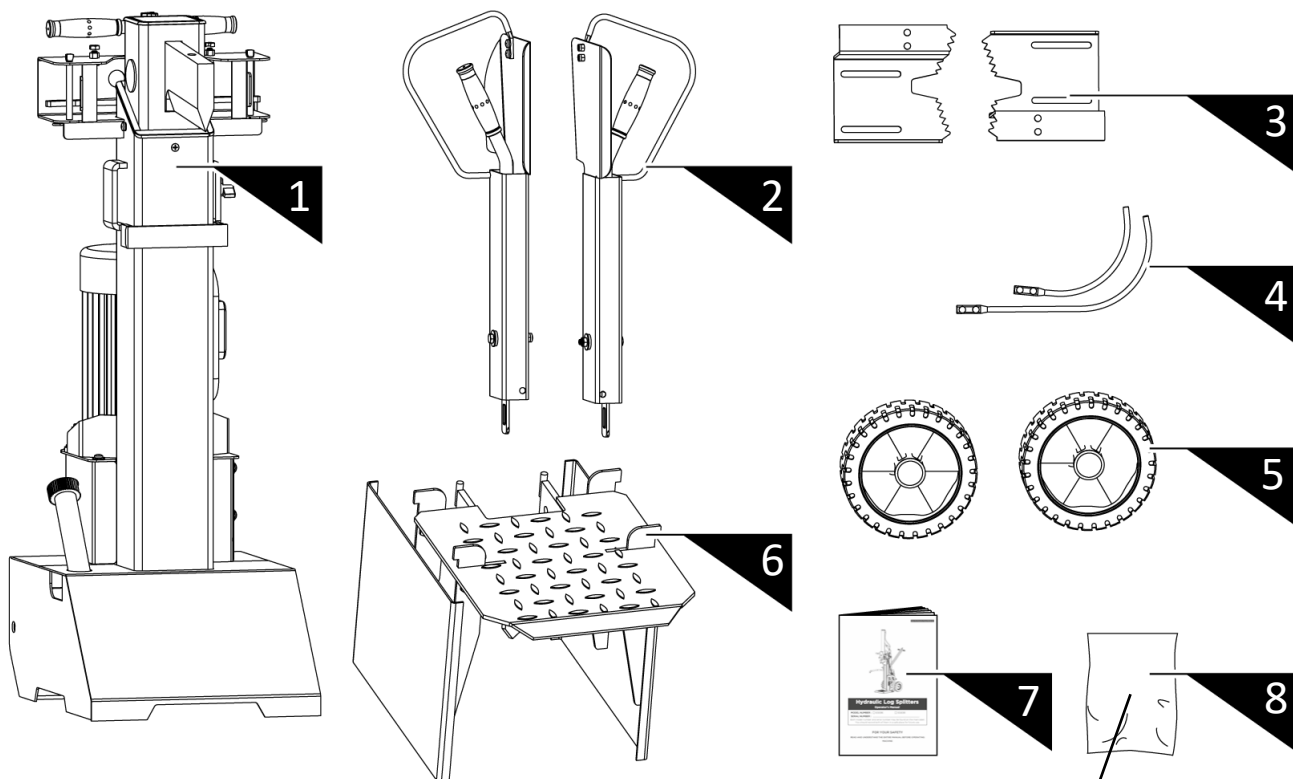
⚠ WARNING : Unboxing and assembling the machine should be done on a flat, surface with enough room. Disposal of the packaging should be done in accordance with the local regulations in force.

⚠ WARNING : Some of the packaging material may be harmful to children. Keep out of reach of children.

1. Carefully remove the product from the packaging and examine it for any sign of damage caused during shipping.
2. Lay the contents out and check them. If any part is damaged or missing, you must not use the machine. Contact HYUNDAI POWER PRODUCTS immediately.
3. You must keep the packaging material in case the machine needs to be returned or repaired.
4. Ensure that you have all the accessories and tools you need for assembly and operation including the suitable personal protective equipment.

In The Box

***Not To Scale**



1. Log Splitter Body
2. Control Lever and Guard Assembly
3. Adjustable Log Holder
4. Retainer
5. Wheels
6. Support Table
7. User Manual
8. Hardware bag

		× 2	A	
		× 2		
		× 6		
		× 2		
		M6 × 16	× 4	B
			× 4	

Features

Transport Handle

Split Wedge

Ram

Log Holder Adjusting Knob

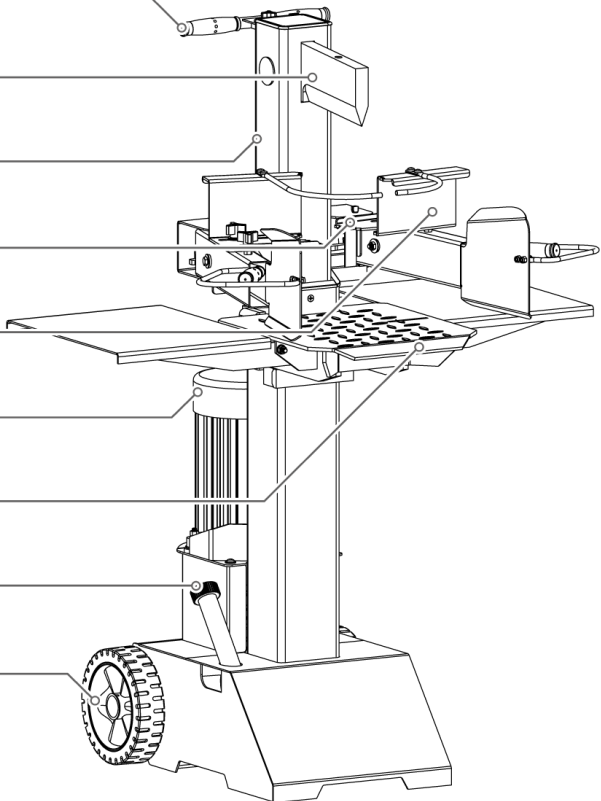
Adjustable Log Holder

Motor

Support Table

Oil Tank Cover / Air Bleeder

Wheels



Ram Travel Adjusting Rod

Control Lever

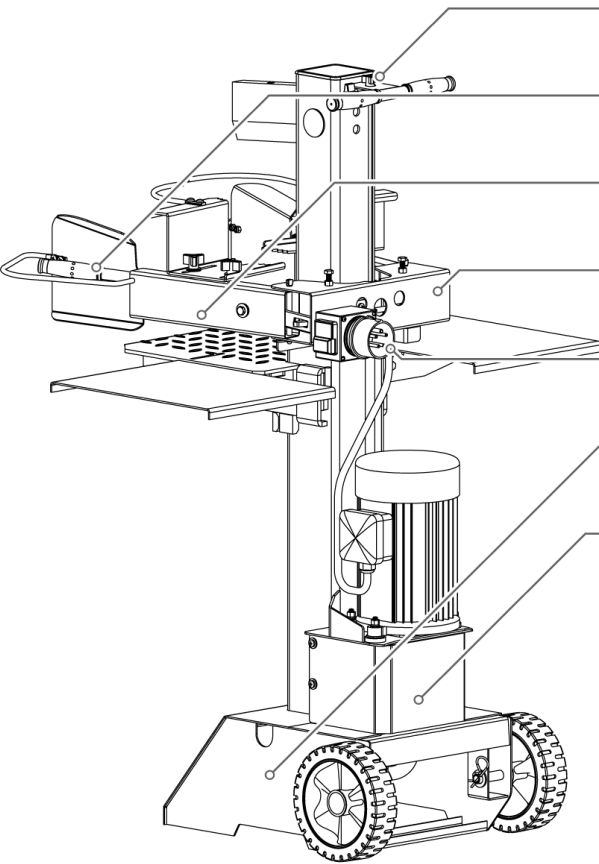
Control Lever Guard

Control Levers Connection Bracket

Plug & switch

Base

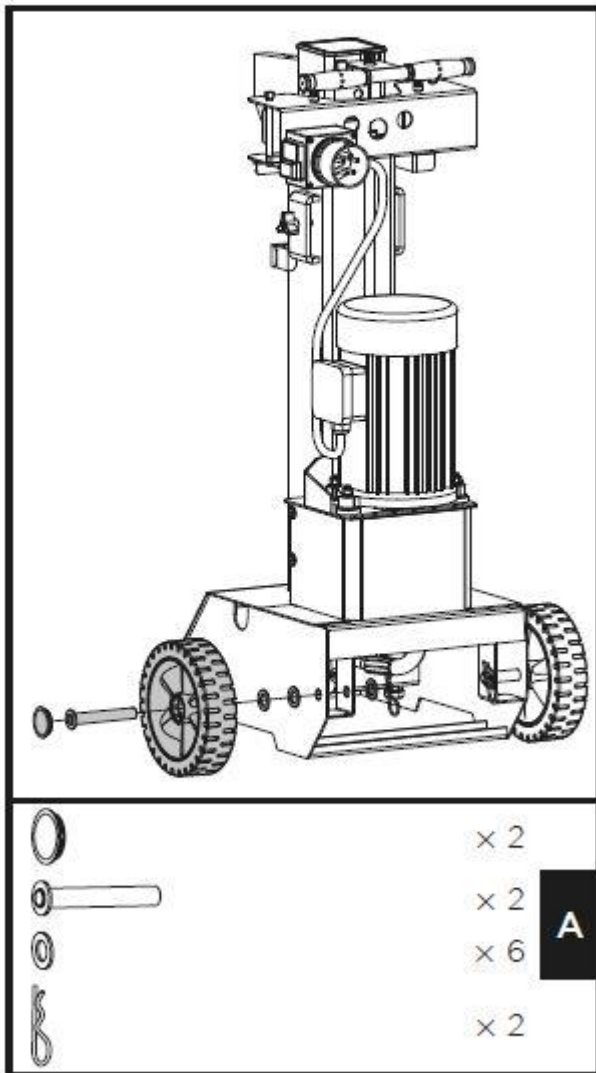
Base Cover



Assembly

Wheels

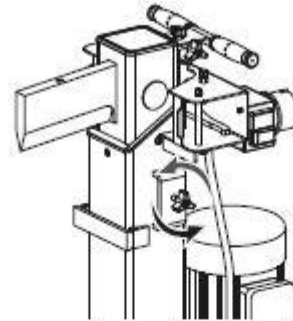
1. Pass the axle through the wheel from outside and put on two washers as shown in the following figure. Slide the axle into the two holes on the base of log splitter and secure it with another washer and R-pin from inside. Put on the wheel cap.



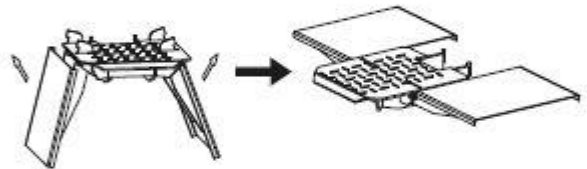
2. Repeat the same steps to mount the wheel on the other side.

Support Table

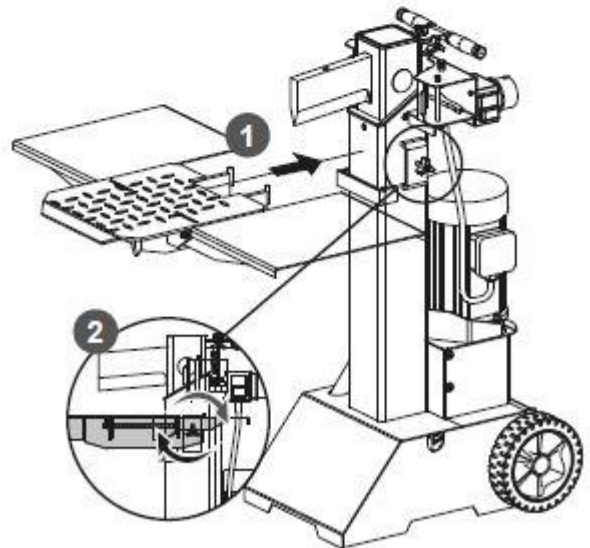
1. Before assembly, loosen the star knob by turning it counterclockwise.



2. Unfold the log support table, make sure the three parts of it at the same surface level.



3. Insert the hooks of the log support table into the mount brackets.

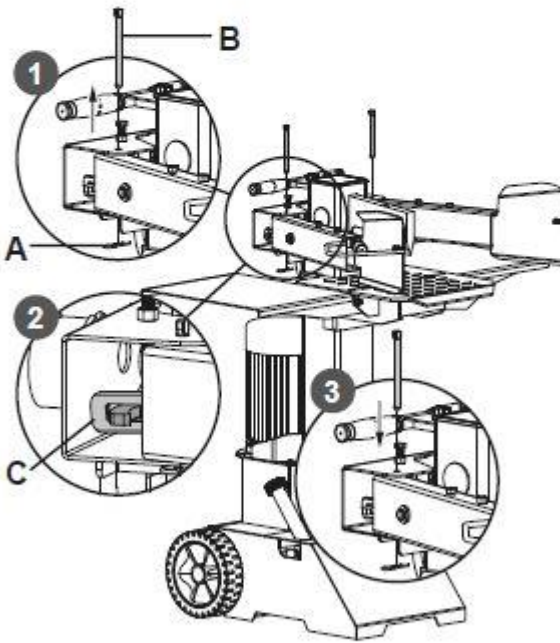


4. Tighten the star knob.

Assembly

Control Lever

Pull Spring Pin (A) to remove the Lock Pin (B). Apply a thin coat of grease to both surfaces of the Control Lever Guard as illustrated. Insert the Control Lever and Guard Assy and make sure the Control Lever End goes into the slot of Connection Bracket (C). Lock the Control Lever and Guard Assy down with the Lock Pin (B) and Spring Pin (A). Follow the same steps to install the other Control Lever and Guard Assy on the other side.

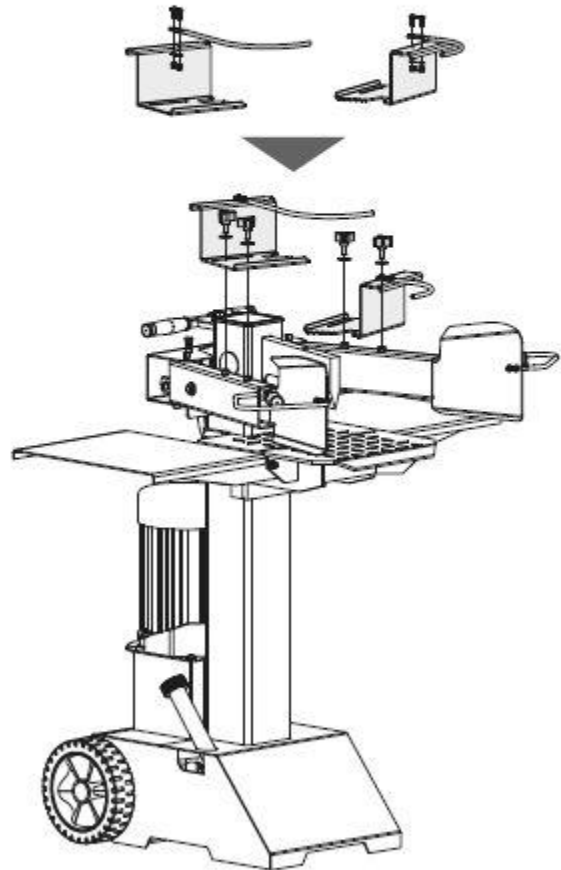


Check both sides after assembly. The control levers must be placed in the slots of connection brackets.

Adjustable Log Holder

Align the holes and assemble the retainer 1 and retainer 2 onto the clamps. Ensure the direction of the retainers as shown in the following picture. Secure the connection with M6x16 bolts, washers and nuts.

Secure the log clamps on the armguards with star knobs and flat washers.



M6 x 16

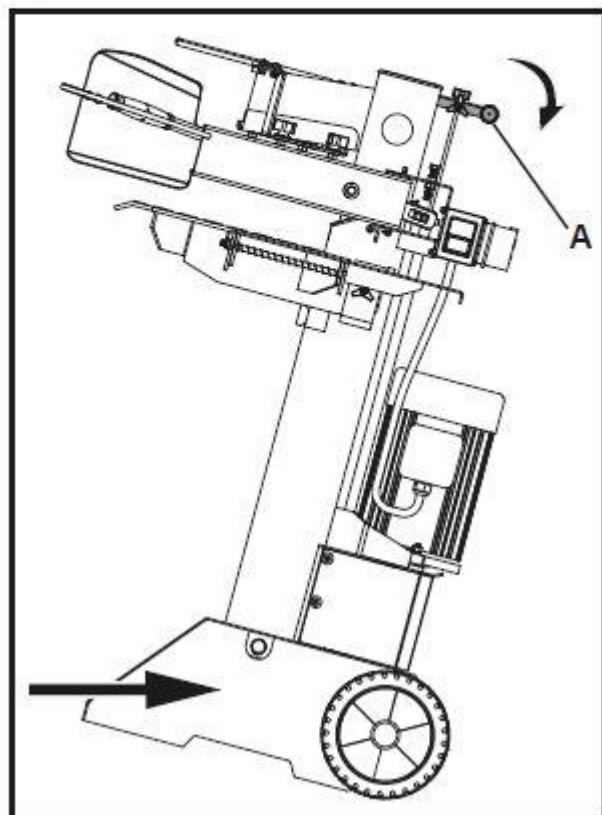
× 4

× 4

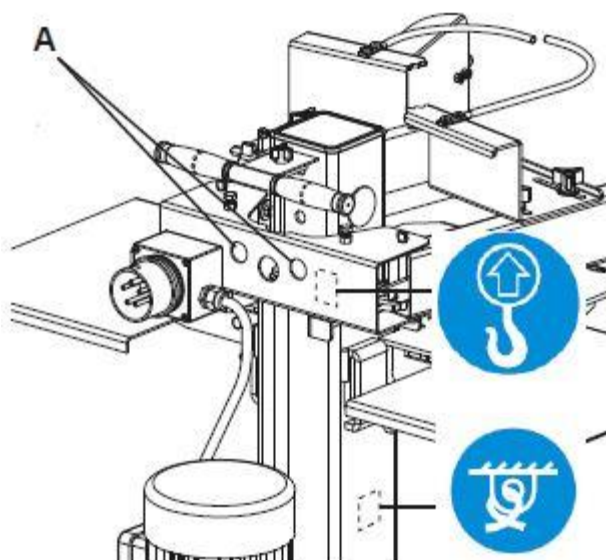
B

TRANSPORT

The log splitter is equipped with 2 wheels for minor moving. To move the log splitter to the work site. Grip the handle (A) to tilt the log splitter slightly after making sure the oil tank cover is tightened.



DELIVERING LOG SPLITTER TO WORK SITE



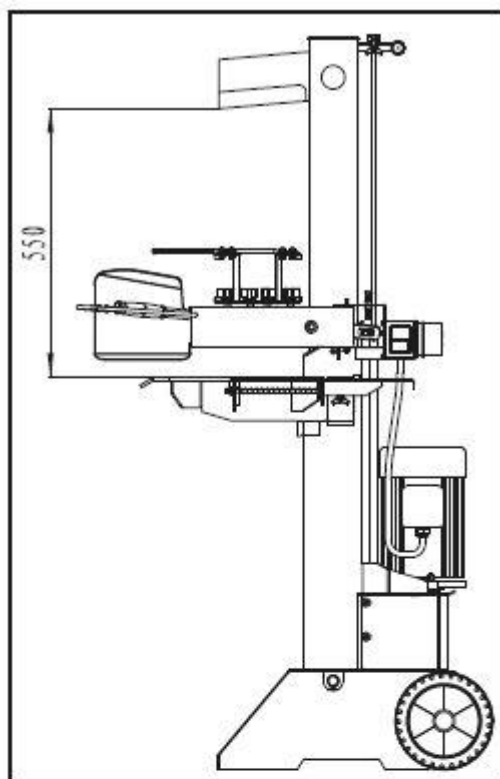
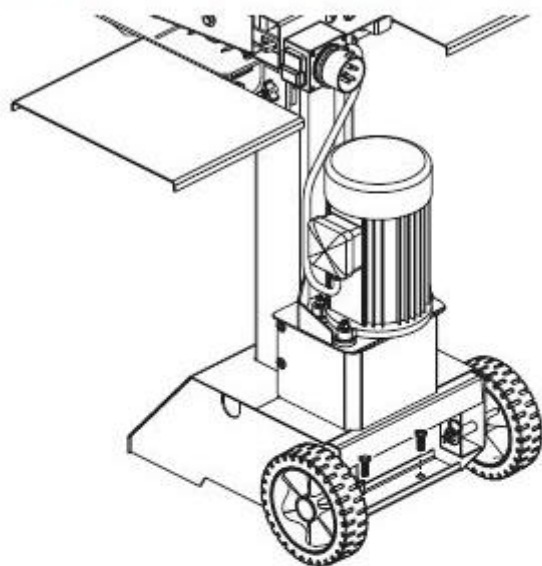
If using a crane, lay hoist sling at the lifting point (A).



For long distance transport, fasten the log splitter at the position with bundling sign after lifting it into the truck, to avoid free movement during transportation.

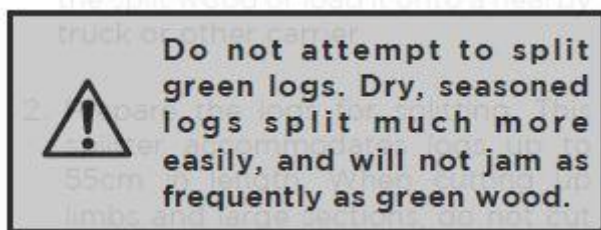
SPLITTER OPERATION

Before operation, fix the machine using Bolts M10X30 on level ground.

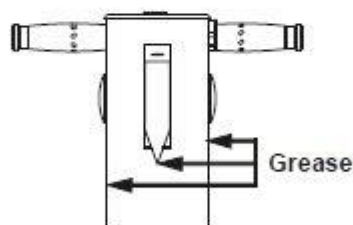


1. Plan your work site. Work safely and save effort by planning your work before hand. Have your logs positioned where they can be easily reached. Have a site located to stack the split wood or load it onto a nearby truck or other carrier.

2. Prepare the logs for splitting. This splitter accommodates logs up to 55cm in length. When cutting up limbs and large sections, do not cut sections any longer than 55cm.



3. Applying a thin coat of grease to the surfaces of the ram before operation will lengthen the durability of the ram.



4. Route the power cord. Route the cord from the power source to the splitter in a way that safeguards against tripping on the cord, or the cord becoming damaged during the work session. Protect the power cord from impacts, pulling or corrosive materials.

5. Open the Air Bleed. Loosen the oil tank cover a few turns whenever the splitter is being used. Retighten this cover when you have finished.

Operation



Never allow motor running at counter direction. This will damage the pump and will void the warranty.

7. While operating under extremely low temperature, keep the log splitter running under no load for 15 minutes to preheat the hydraulic oil.
8. Before initial operation, check to be sure the two-handed operation is properly functioning by following steps:
 - (1) Lower both control levers, the splitting wedge will lower to 5cm above the highest table position.
 - (2) Release either of the levers, splitting wedge should remain in the original position.

(3) Release both levers, the ram should rise to the highest position automatically.

9. To set wedge ram stroke, take the following steps:

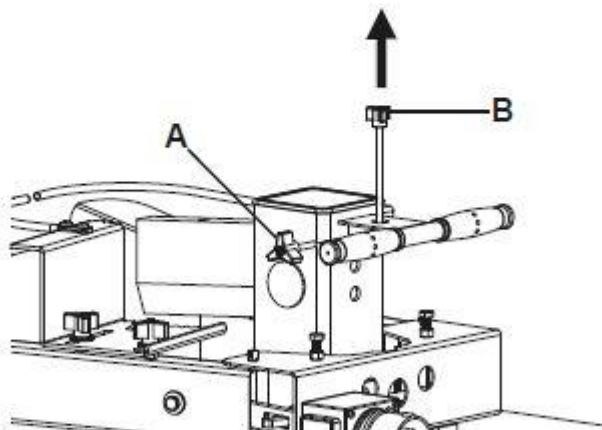
(1) Move splitting wedge to desired position. The upper position of the ram wedge travel should be about 3-5cm over the logs to be split.

(2) Release a control lever or switch off motor.

(3) Release the Setscrew (A) with L key. Raise Adjusting Rod (B) until Adjusting Rod (B) begins to be stopped by the spring inside. Tighten the Setscrew (A).

(4) Release both control levers or switch on motor.

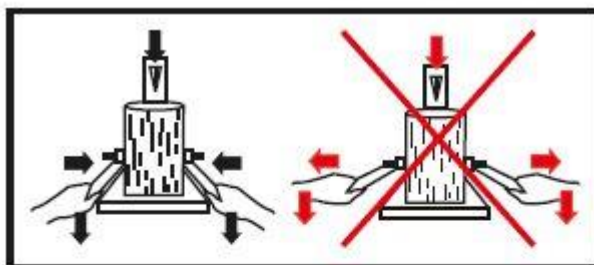
(5) Check upper position of splitting wedge.



10. Place log onto splitter. Place the log onto the support table vertically and sitting flat on the support table. Be sure the wedge and support table will contact the log squarely on the ends. Never attempt to split a log at an angle.

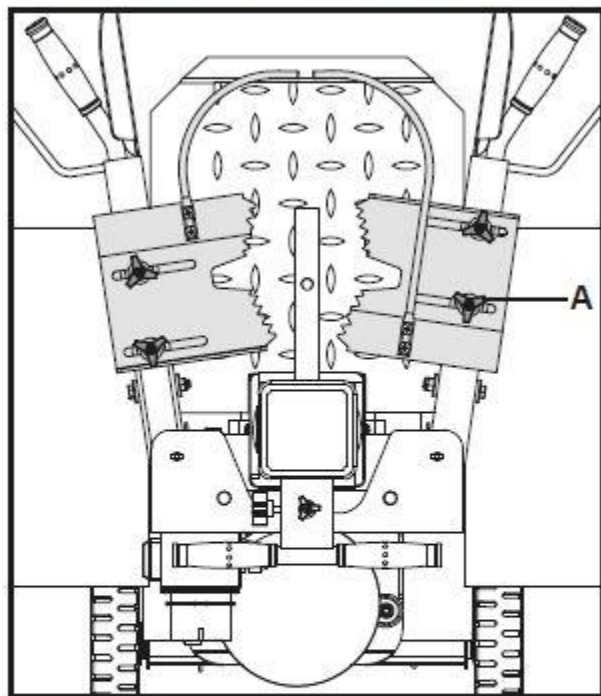
Operation

10. Place log onto splitter. Place the log onto the support table vertically and sitting flat on the support table. Be sure the wedge and support table will contact the log squarely on the ends. Never attempt to split a log at an angle.



Break log in the direction of its growing grain. Do not place log across the log splitter for splitting. It may be dangerous and may seriously damage the machine.

11. Adjust the Log Holders (A) according to the diameter of the log to obtain the most comfortable Control Levers angle.



12. Hold the log with clamping brackets closely in the control lever guards. lower levers to start the splitting. Releasing either lever stops the motion of the splitting wedge. Releasing both handles to return the splitting wedge to the upper position.

- 13 Stack as you work. This will provide a safer work area, by keeping it uncluttered, and avoid the danger of tripping, or damaging the power cord.



Accumulated split wood and wood chips can create a hazardous work environment. Never continue to work in a cluttered work area which may cause you to slip, trip or fall.

Maintenance & Care

Cleaning

⚠ Always remove the electric plug from the mains supply before any cleaning is undertaken.

- Remove any grass and mud after each use to prevent it from drying. Use a clean cloth to remove dirt, grease, etc.
- DO NOT use any water on any part of the main machine.
- Avoid using solvents when cleaning plastic parts. Most plastics are susceptible to damage from various types of commercial solvents and may be damaged by their use.
- Always ensure that ventilation openings are kept clear of debris.

The Blade

⚠ WARNING!

- Never touch a blade.
- The blade should always be sharp and well balanced. At regular intervals, check the tightness of all nuts, bolts and screws.
- If the blade hits an obstacle, check for damage and if the machine vibrates badly, stop the machine and take it to a service dealer.
- It is best if all interventions on the blade are done at a specialised centre that has the special tools and equipment.

REPLACING HYDRAULIC OIL

The hydraulic system is a closed system with oil tank, oil pump and control valve. Check oil level regularly with dipstick. Low oil levels can damage the oil pump. Oil Level should measure approx. 1 - 2 cm lower than the upper surface of the oil tank.

The oil should be completely changed once a year.

- Make sure moving parts stop and the log splitter is unplugged.
- Make sure that no dirt or debris finds its way into the oil tank.
- Collect used oil and responsibly recycle.
- Following an oil change, activate the log splitter a few times without actually splitting.

Following hydraulic oils or equivalent are recommended for the log splitter's hydraulic transmission system:

SHELL Tellus 22

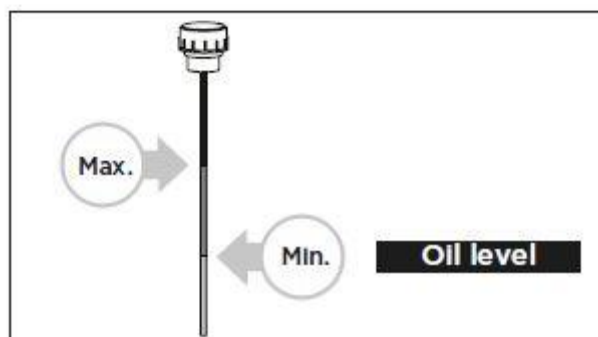
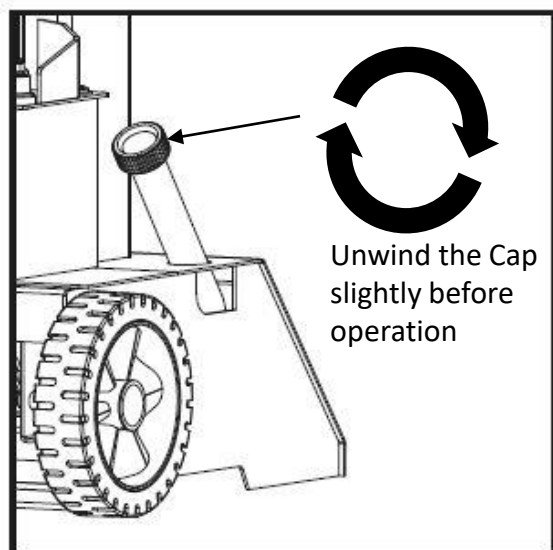
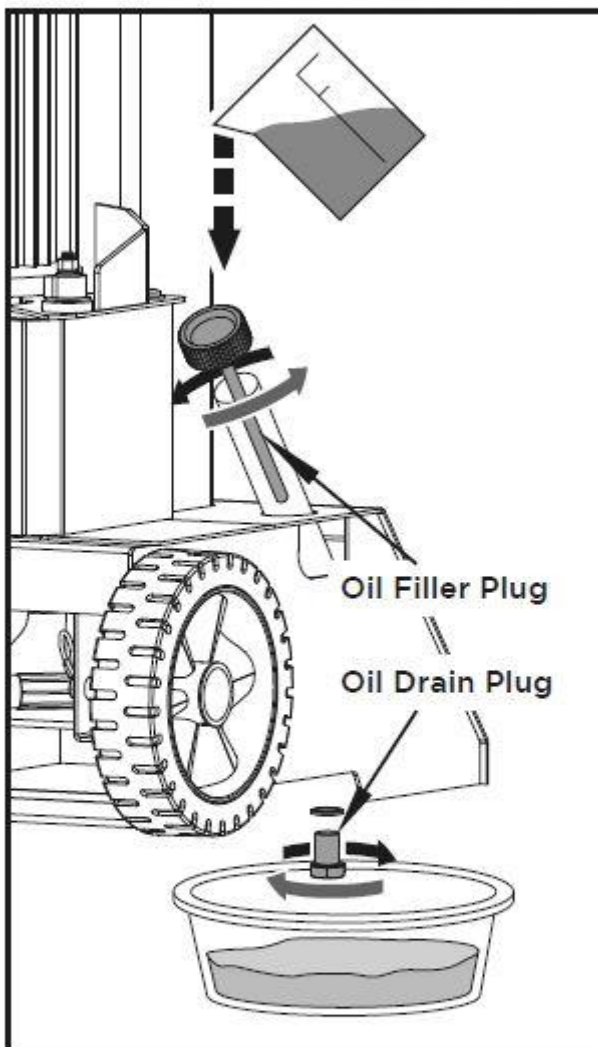
MOBIL DTE 11

ARAL Vitam GF 22

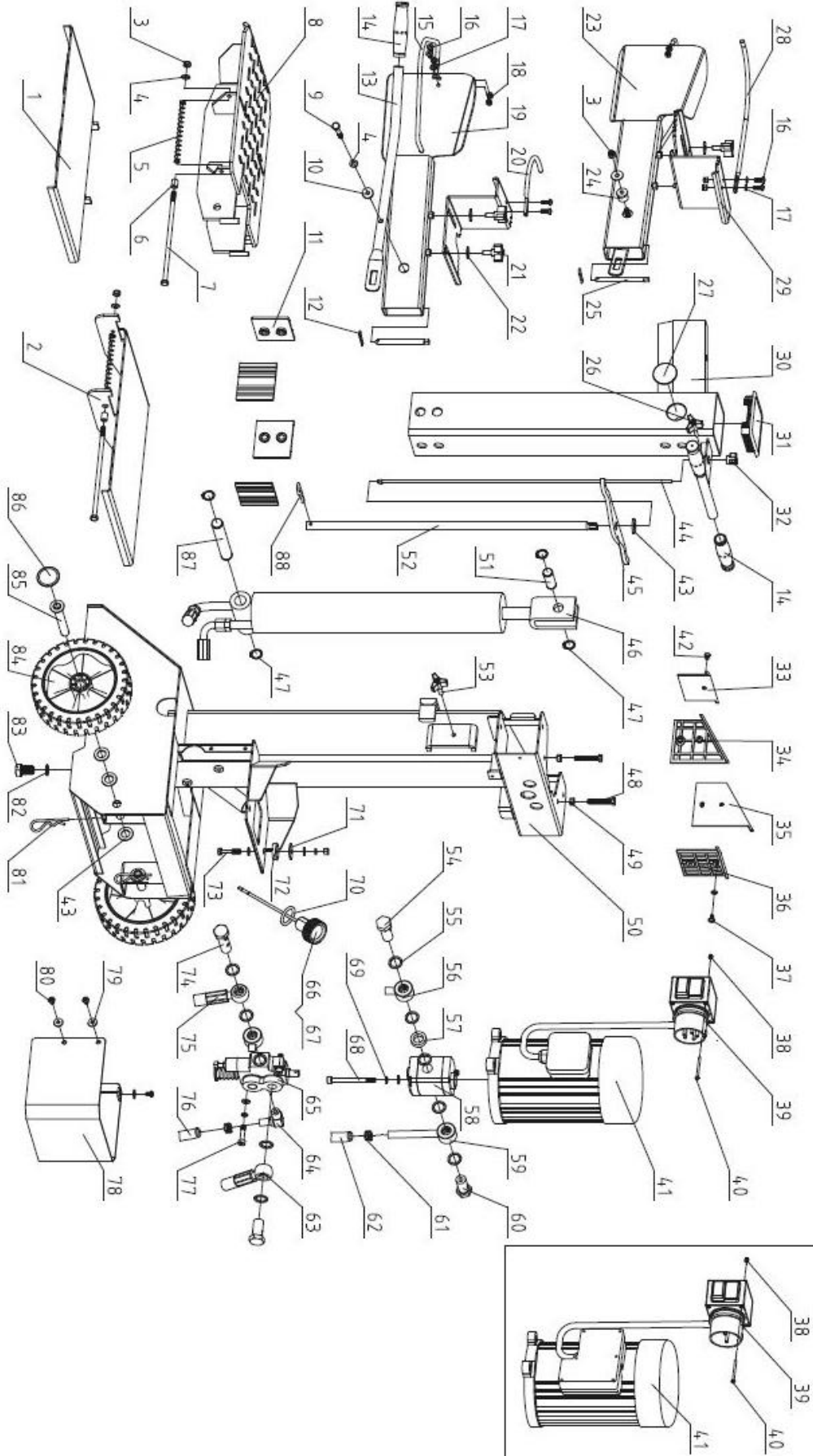
BP Energol HLP-HM 22

Use a drain pan to aid in the removal of all used oil and particles.

Remove oil drain plug to drain oil from the hydraulic tank. Examine oil for metal chips as a precaution to future problems.



Maintenance & Care



Maintenance & Care

No.	Description	Q'ty
1	Side Log Support 2	1
2	Side Log Support 1	1
3	Locknut M8	4
4	Washer 8	8
5	Spring	2
6	Bush	2
7	Bolt 8.8 M8x210	2
8	Log Support C1	1
9	Bolt 8.8 M8x60	2
10	Bush 2	2
11	Lining Plate	4
12	Clip 2.5	2
13	Handle C1	2
14	Handgrip	4
15	Guard Ring C1	2
16	Screw M6x16	8
17	Washer 6	6
18	Locknut M6	8
19	Right Armguard C1	1
20	Retainer 1	1
21	Star Knob	4
22	Big Washer 8	11
23	Left Armguard C1	1
24	Bush 1	2
25	Pin C1	2
26	Star Knob M6	1
27	Cap	2
28	Retainer 2	1
29	Clamp	2
30	Splitting Pipe G5	1
31	Square Cap	1
32	Star Knob M5(black)	1
33	Upper Lining Plate 2-C	1
34	Upper Lining Plate 4	1
35	Upper Lining Plate 3	1
36	Upper Lining Plate 1	1

No.	Description	Q'ty
37	Screw M6x8	1
38	Locknut M4	2
39	Switch	1
40	Screw M4x60	2
41	Motor	1
42	Screw M6x10	1
43	Washer 16	7
44	Pull Rod G5	1
45	Lever C1	1
46	Cylinder C1	1
47	Circlip 22	4
48	Bolt M8x50	2
49	Nut M8	5
50	Main Frame C1	1
51	Short Shaft D	1
52	Tube C1	1
53	Star Knob (black)	1
54	Oil Plug A1	1
55	Washer Groupware 20	10
56	Oil Hose C1	1
57	Collar	1
58	Gear Pump C1	1
59	Nozzle C1	1
60	Oil Plug A2	2
61	Hose Clamp 18-23(24)	4
62	Oil Hose 13	1
63	Oil Hose C1	1
64	Nozzle A	1
65	CCA Valve	1
66	Oil Cap K	1
67	Oil Dipstick KG	1
68	Screw M8x90	2
69	Spring Washer 8	7
70	O-Ring 25x2.65	1
71	Big Washer 10	3
72	Motor Support	3

Maintenance & Care

No.	Description	Q'ty
73	Bolt 8.8 M8x45	3
74	Oil Plug A6	1
75	Oil Hose C1	1
76	Oil Hose 13	1
77	Screw M8x35	2
78	Shield C1	1
79	Big Washer 6	3
80	Screw M6x10	5

No.	Description	Q'ty
81	Clip 3	2
82	Washer Groupware 16	1
83	Bolt M16x25	1
84	Wheel	2
85	Wheel Axle C1	2
86	Wheel Cap	2
87	Long Shaft A4	1
88	Clip 4	1

Maintenance & Care

Troubleshooting

PROBLEM	PROBABLE CAUSE	REMEDY SUGGESTED
Motor does not start	No current in the socket	Check mains fuse
	Electrical extension line defective	Unplug, Check and replace.
	Incorrect connection line 3-400V	5-line connection at 1.5mm ² diameter.
	Switch defective	Have checked by Electrician
Incorrect motor rotation direction	Incorrect connection	Change pole switching device in the plug with a screw driver
		Reverse polarity by electrician
Log Splitter does not work while motor running	Valve is not opened owing to the connection parts loosening	Check and tighten the parts.
	Control Levers or Connection parts bent	Repair the bent parts
	Lower hydraulic oil level	Check and refill hydraulic oil.
Log Splitter works with abnormal vibration and noise	Lower hydraulic oil level	Check and refill hydraulic oil.

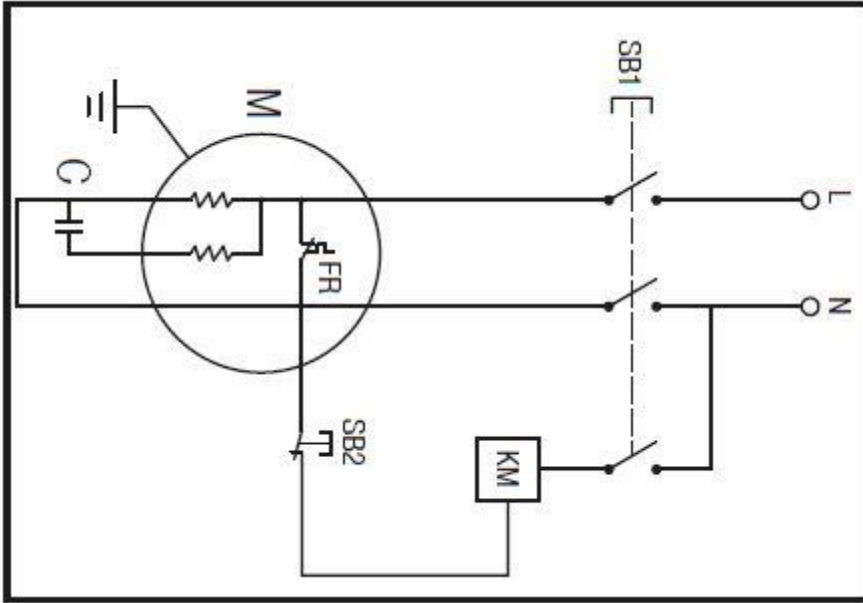
Technical Data

Specification

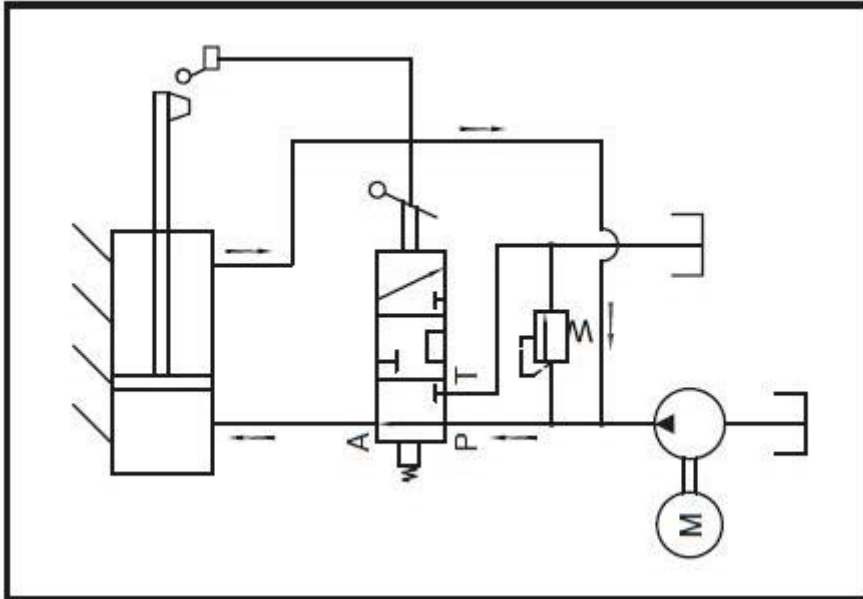
Model	HYLS8000VE
Voltage	230V
Frequency	50Hz
Rated Power	3000W
Log Diameter Capacity	8-30cm
Log Length Capacity	10-55cm
Maximum Force	8 Ton
Hydraulic Pressure	21.0 Mpa
Hydraulic Oil Capacity	4L
Ram Travel	48.5cm
Forward Speed	3.1 cm/sec
Retract Speed	17.3 cm/sec
Noise Pressure Level (LpA)	74.7 dbA under no load 77.8 dbA under Full load
Vibration	<2.5m/s ²
Dimensions LxWxH (cm)	84.5 x 93.5 x 150
Weight	109 kg

Technical Data

Wiring Diagram



Hydraulic Diagram



Recycling & Disposal

Recycling & Disposal

We do not offer a takeback scheme for the recovery of Waste Electrical Electronic Equipment (WEEE) & Batteries. Instead the responsibility to dispose of WEEE and/or Batteries is passed onto you by us.

So when it becomes necessary to dispose of your machine you must take it to your local Civic Amenity Site. For further information please contact your local Authority for disposal advice.

You **MUST** make sure that all unused oil and fuel is disposed of correctly either beforehand or at your local Civic Amenity Site.

- Under NO circumstances must any fuel or oil be put down any drains.
- Certain products contain WEEE waste which should not be disposed of in your domestic waste.
- You **MUST** recycle WEEE in accordance with your local authority or recycling centre.
- Certain products contain batteries which should not be disposed of in your domestic waste.
- You **MUST** recycle batteries in accordance with your local authority or recycling centre.
- Unwanted packaging and materials should be stored and taken to a recycling centre so it can be disposed of in a manner which is compatible with the environment.

We are a Member of the VALPAK National Compliance Scheme and our registration number is RM08660. For further information about disposal please contact your Local Authority.

You can also get more advice and guidance about recycling at the following website <http://www.recycle-more.co.uk>

Should you pass this product on to another user either sold or loaned, you **MUST** pass on this user manual. This will make sure that all other users can use and maintain this machine safely.

Environmental Protection

1. Environmental protection should be a priority of considerable importance when using the machine, for the benefit of both social coexistence and the environment in which we live. Try not to cause any disturbance to the surrounding area.
2. You must comply with local regulations and provisions for the disposal of packaging, oils, fuel, filters, damaged parts or any elements which have a strong impact on the environment. This waste must not be disposed of as normal waste. It needs to be separated and taken to specified waste disposal centres where the material will be recycled.
3. You must comply with local regulations for the disposal of waste materials after mowing.
4. When disposing, do not pollute the environment with the machine, but hand it over to a disposal centre, in accordance with the local laws in force.

EU Declaration Of Conformity

Importer and Authorised Representative

Genpower Ltd
Isaac Way, Pembroke Dock, SA72 4RW

Country of Origin: China

Description: Vertical Log Splitter

SKU Code: HYLS8000VE

Date of Issue: 01/07/2023

Regulations and Directives of Compliance

- 2006/42/EC The Machine Directive
- 2014/30/EU EMC Directive
- 2000/14/EC Noise Emissions
- 2011/65/EU RoHS

Statement of Declaration

We the importer and authorised representative of the product described confirm conformity within the provisions of applicable regulations and directives listed within this document.

Signed on Behalf of Genpower Ltd

Place of Issue: Genpower Ltd

Signatory Name: Roland Llewellyn

Position: Managing Director

R J Llewellyn
.....



Notes

Useful Information

Check Out Our YouTube Channel

Our videos on YouTube include:

- Unboxing
- Assembly of your machine
- How to service your machine
- Products in use
- 'How To' videos
- Product features

Go to YouTube and search '**Hyundai Power Products**'.

Warranty

Proof of purchase will be required before you make a warranty claim. Full warranty terms and conditions can be found on the HYUNDAI POWER PRODUCTS website:

www.hyundaipowerproducts.co.uk

Manual Updates

Our manuals are constantly being reviewed and updated. Should you find an error, omission or something unclear, please contact us for assistance. We reserve the right to make any modifications without prior notice whenever necessary.

Our latest manuals are also placed online. All our manuals can be downloaded at:
www.hyundaipowerproducts.co.uk

Returning Your Product

If you are returning your product, please contact the dealer for their returns policy.

Leaving A Review

We work very hard to give all of our customers the best possible service. If you have any problems, before leaving negative feedback, please contact us to give us a chance to resolve the issue. We would be delighted if you left us positive feedback! To leave a review, please go to:

uk.trustpilot.com/review/hyundaipowerequipment.co.uk

Ordering Spare Parts

You can find the spare part you are looking for at **power-spares.co.uk**

Product Record

Information

As soon as you have purchased the machine, we recommend that you fill out the following. If you need to contact an authorised dealer or customer service for information on servicing, you may need to provide the following information.

Date Of Purchase:.....

Dealer Name:.....

Dealer Phone:.....

Model Number:.....

Serial / Batch Number:.....

Contact Us

Need Help? Talk To Our Experts

Our friendly aftersales team will be more than happy to help you.



Phone

Call our team on 01646 687 880



Email

aftersales@hyundaipowerproducts.co.uk



Online Live Chat

Go to www.hyundaipowerproducts.co.uk



Post

Genpower Ltd, Isaac Way, Pembroke Dock, Pembrokeshire, SA72 4RW.



Hyundai Support Website

Go to hyundaisupport.co.uk

HYUNDAI

POWER PRODUCTS



GENUINE PRODUCT OF
HYUNDAI CORPORATION

For Inquiries, Please Contact:
GENPOWER LTD
Isaac Way, London Road,
Pembroke Dock, UK, SA72 4RW.
T: +44 (0) 1646 687 880
E: info@hyundaipowerproducts.co.uk
www.hyundaipowerproducts.co.uk