



Operator's Manual

user manual, maintenance instructions and spare parts

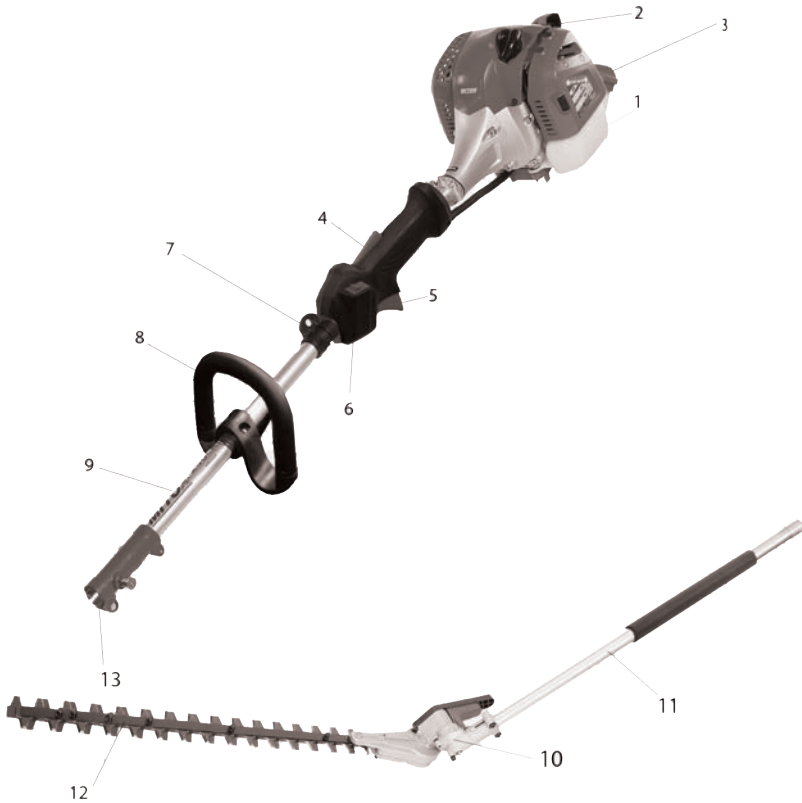
28LH-a SELECT Hedgetrimmer



Read this manual carefully before operating the machine

Original Instructions Version June 16

28LH-a_200616



PRODUCT DESCRIPTION

This Hedgetrimmer unit is a 2 stroke fast running power tool and is designed to be used in a domestic application with the attachment supplied. The Hedgetrimmer attachment is for trimming new growth on hedges.

Component Location

1. Fuel tank – 2 stroke mixture
2. Engine starter/Recoil
3. Carburettor / air filter
4. Safety lever
5. Throttle control lever
6. Ignition switch
7. Harness hanger
8. Loop handle
9. Transmission shaft
10. Gear box
11. Attachment shaft
12. Cutter Blades
13. Coupling

Warnings in the Manual



This mark indicates instructions which must be followed in order to prevent accidents which could lead to serious bodily injury or death.



This mark indicates instructions which must be followed or it leads to mechanical failure, breakdown, or damage.



This mark indicates hints or useful directions in the use of the product.

Safety Symbols

Warning: Danger, Caution	
Read the documentation and safety instructions which are provided in this user manual.	
When operating this machine, use protective equipment such as goggles, helmet and ear defenders.	
Wear security shoes and gloves.	
Check the condition of the working area to avoid any accidents from hitting hidden obstacles such as stumps, stones, cans, or broken glass.	
Hot surface: Risk of burn.	
Directive 2000-14/CE. Guaranteed noise levels	
Beware of objects being thrown from the operating zone	
Warning: Keep all people, animals and vulnerable objects at least 15 metres from the working area.	
Beware: Product conducts electricity. Keep the machine and operator at least 10 metres from electrical sources and overhead power cables.	
Beware: Keep hands and feet away from moving parts. Always keep a safe distance from the cutting parts.	
Beware of blade thrust.	

Taking Care of Warning Labels

Always keep warning labels clean and free of scratches, which might make them illegible or difficult to read. If the warning labels provided with your Hedgetrimmer become damaged, peel off, or otherwise become illegible or difficult to read, order new labels from the authorised servicing dealer and replace the damaged labels. When applying new labels, first wipe away any dirt and dry the surface before applying the new label in the same place as the original label.

Explanation of Symbols on the Machine

For safe operation and maintenance, symbols are carved in relief on the machine:



FUEL TANK

Fuel tank 2 stroke mix
Position: Fuel cap



CHOKE OPERATION

<RUN>

Starting mode when the engine is hot (choke off).
Position: Air cleaner cover.



<START>

Starting mode when the engine is cold (choke on).
Position: Air cleaner cover.

Safety Precautions

Introduction

Read this Owner/Operator Manual carefully. Be sure you understand how to operate this Hedgetrimmer properly before you use it. Failure to do so could result in serious injury.

Keep this manual handy so that you may refer to it later whenever any questions arise. Also note that you are able to contact the dealer from whom you purchased the product for assistance.

Always include this manual when selling, lending, or otherwise transferring the ownership of this product.

This product has been designed to be used as a Hedgetrimmer power tool as described previously and it should never be used for any other purpose; doing so could result in unforeseen accidents and injuries occurring. Only approved Mitox accessories should be used with this product.

This Hedgetrimmer is equipped with extremely sharp blades, always wear sturdy gloves when handling the blades and fit the safety guards when not in use.

When using this Hedgetrimmer for the first time, take it to a wide, clear, open space, start the engine, and practice handling the Hedgetrimmer until you are sure that you will be able to handle it properly in actual operation.

You should never use this Hedgetrimmer when under the influence of alcohol, suffering from exhaustion or lack of sleep, suffering from drowsiness as a result of having taken medicine, or at any other time when your judgement might be impaired or that you might not be able to operate the Hedgetrimmer properly and in a safe manner.

Never allow children or anyone unable to fully understand the directions given in this manual to use this Hedgetrimmer.

When planning your work schedule, allow plenty of time to perform the work and allow plenty of time for rest. Limit the amount of time you continuously use the Hedgetrimmer to 30~40 minutes per session and take 10~20 minutes of rest between work sessions. Also, try to keep the total amount of work performed in a single day to 2 hours.

Never run the engine indoors as the exhaust gases contain harmful carbon monoxide.

Never use the Hedgetrimmer in conditions as described below:

When the ground is slippery or when other conditions exist which might make it difficult to maintain a steady posture while using the Hedgetrimmer.

At night, at times of heavy fog, or at any other times when your field of vision is limited and it would be difficult to gain a clear view of the area where the Hedgetrimmer is to be used. In heavy rain, during lightning storms, at times of strong or gale-force winds, or at any other times when weather conditions might make it unsafe to use this product.

Lack of sleep, tiredness, or physical exhaustion results in lower attention spans, and this in turn can lead to accidents and injury.

Work Clothing and Safety Equipment

When using the product, you should wear proper clothing and protective equipment.

- Helmet
- Protection goggles or face protector
- Ear protectors
- Thick work gloves
- Non-slip sole work boots
- When using your Hedgetrimmer, always wear strong, durable, work clothing; shirts should be long-sleeved and trousers should be full-length.

Safety and Operation



This Hedgetrimmer is equipped with very sharp blades, and when used incorrectly the blades can be extremely dangerous.

Improper handling can cause accidents which may in turn lead to serious injury or death. For this reason, you should always be careful to adhere to the following instructions when using your Hedgetrimmer.

Never hold the Hedgetrimmer in a way in which the blades are pointing towards someone else.

Never allow the blades to come into contact with your body.

Always turn off the engine before adjusting the Hedgetrimmer, or at any time when coming into close proximity with the hedgetrimmer blades.

Always wear thick work gloves when adjusting the Hedgetrimmer.

Safe Handling of Fuel



The engine of the Hedgetrimmer is designed to run on a two stroke oil/fuel mixture.

This fuel is highly flammable; never store cans of fuel or refill the fuel tank in any place where there is a source of heat or fire, which might ignite the fuel.

Do not smoke whilst operating the Hedgetrimmer or refilling, keep lit cigarettes away from the Hedgetrimmer at all times.

When refilling the fuel tank always stop the engine first and carefully make sure that there are no sparks or naked flames anywhere nearby before refuelling.

If any fuel spillage occurs during refuelling, use a dry rag to wipe any fuel which has been spilled onto the Hedgetrimmer before starting the engine.

After refuelling, screw the fuel cap back tightly onto the fuel tank and carry the Hedgetrimmer to a spot 5 metres or more away from where it was refuelled before starting the engine.

Before Operating the Hedgetrimmer

Before beginning work, carefully check the work area and remove any obstacles. Within a perimeter of 15 metres of the work area should be considered a hazardous area into which no-one should enter while the Hedgetrimmer is being used, and when necessary this area should be marked with a warning rope, warning signs, or other forms of warning.

When work is to be performed simultaneously by two or more operators, care should also be taken to constantly look around to check the presence and locations of other operators within the work area to maintain a safe distance between each operator.

Before beginning work, each component of the Hedgetrimmer should be checked to make sure that it is in proper working order, make sure that there are no loose screws or bolts, fuel leaks, ruptures, dents, broken guards or any other problems which might interfere with safe operation.

Keep all parts of your body away from the cutting head when the engine is running.

Before Starting the Engine

Carefully check the work area to make sure that no obstacles exist within a perimeter of 15 metres around the Hedgetrimmer before starting the engine.

To start the engine, place the Hedgetrimmer onto the ground in a flat clear area and hold it firmly in place to ensure that neither the blades nor the throttle come into contact with any obstacles when the engine starts.

After starting the engine, make sure that the blades stop moving when the throttle trigger is released (idle). If the blades continue to move when the engine is at idle, adjust the idle screw on the carburettor to a point where the blades stop moving, if this cannot be achieved, take the hedgetrimmer to your authorised service dealer for adjustment.

Avoid Noise Problems

Check and follow the local regulations for sound levels and hours of operation for garden machinery.

In general, operate Hedgetrimmers between 8 am and 5 pm on week days and 9 am to 5 pm at weekends.

Avoid using the Hedgetrimmer late at night and/or early in the morning.

Safety when using the Hedgetrimmer

When using the Hedgetrimmer, grip the handles firmly with both hands, place your feet slightly apart so your weight is distributed evenly across both legs, and always maintain a steady even posture while working. Do not use on ladders or if the ground surface is slippery or uneven. Never attempt to cut directly overhead or with one hand.

- Maintain full engine speed when cutting.
- Never allow other persons to come within the work area as doing so might expose them to danger.
- Keep work area clear of all persons, particularly small children and pets. Injury may result from flying debris.
- If grass or other objects get caught in the Hedgetrimmer during operation, always stop the engine before removing the object.

- Never touch the spark plug or plug HT cable while the engine is in operation, doing so may result in an electrical shock.
- Never touch the exhaust, spark plug, or any metallic parts while the engine is in operation or immediately after shutting down the engine. These parts reach high temperatures during operation and doing so could result in serious burns.



- When you finish cutting in one location and wish to continue work in another area, stop the engine and fit the blade safety guards.
- Always remove fuel from the fuel tank before transportation to prevent fuel spillage.
- Never leave the Hedgetrimmer exposed to direct sunlight as this can heat the fuel tank and may cause a discharge of fuel, and flood the engine.
- Be careful not to hit the blades against stones or the ground.

Two-Stroke Fuel



Fuel is very flammable. Do not smoke or bring any flame or sparks near fuel.

Always stop the engine and allow it to cool before refuelling.

Refuel outdoors on bare ground, restart the engine at least 5m away from the refuelling area.

The engine is lubricated by oil mixed into petrol. Prepare a mixture of unleaded petrol and semi-synthetic two-stroke oil that meets the specifications of: API TC, ISO-L-EGC, JASO FC (Low Smoke) oil.

Recommended mixing ratio is 40:1.

FUEL WITH NO OIL (RAW PETROL) will cause severe damage to the engine which is not covered by manufacturer's warranty.

Use fresh, unleaded petrol (95 RON) and semi-synthetic oil specially made for high performance two-stroke engines. Mix in a ratio of 40 parts petrol to 1 part of oil.

By using two-stroke oil specially made for two-stroke engines you will reduce the formation of ash and carbon deposits on the spark plug, piston, exhaust muffler and cylinder as well as reducing emissions of harmful exhaust gases.

Oil FOR 4-CYCLE ENGINES should not be used as two-stroke lubrication oil as it can cause fouling of the spark plug, exhaust port blocking, piston ring sticking and other internal engine damage.

NOTE

Due to increased Ethanol content in petrol we recommend the use of B3C Ethanol Shield 2-Stroke Oil, or Ethanol Shield Fuel Stabiliser to protect your MITOX® engine against the harmful effects of Ethanol.

Visit www.b3cfuel.co.uk for more information.



Fuel Storage (Without Ethanol Shield)

Mixed two-stroke fuel which has been left unused for a period of one month or more may damage the carburettor and result in the engine failing to start or operate correctly.

When storing the Hedgetrimmer for a period of more than one month, empty the fuel tank, and run the engine to empty the carburettor of fuel.

Two stroke fuel can cause deterioration of rubber and/or plastic components during prolonged storage.

It is important to only use good quality, fresh fuel mix.

Fuelling

Shake the fuel container to thoroughly mix the two-stroke oil and petrol.

Clean dirt from around the fuel cap before removing.

Pour two-stroke fuel into the fuel tank with a filtered funnel, up to 80% of the fuel tank's capacity.

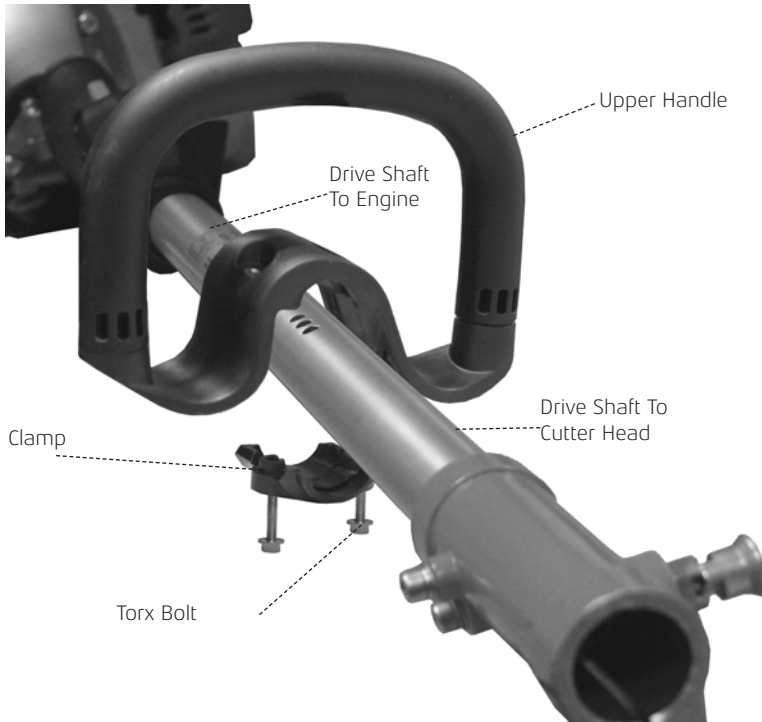
Replace the fuel cap and tighten securely. Spilled fuel must be wiped away from the Hedgetrimmer before starting the engine.

Move at least 5m away from the refuelling area before restarting the engine.



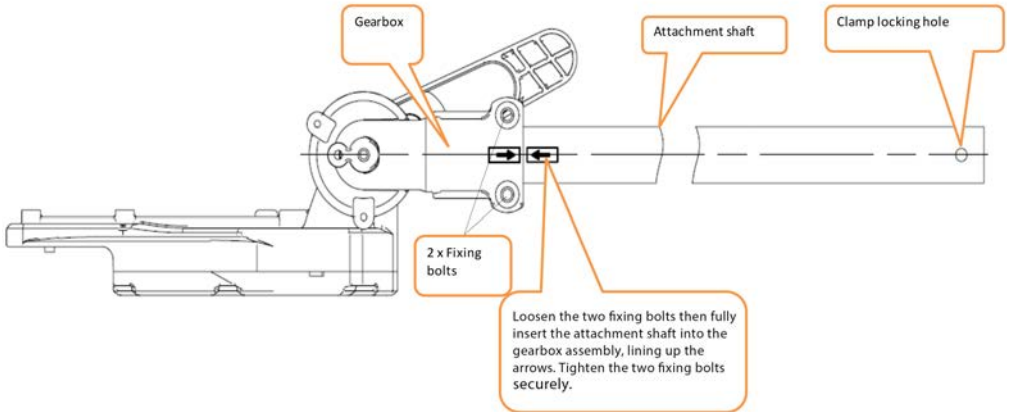
When refilling the tank, always turn off the engine and allow it to cool down. Take a careful look around to make sure that there are no sparks or open flames anywhere nearby before refuelling.

Installing the Loop Handle Assembly



- Fit the upper handle to the shaft using the fixing holes to locate the handle to the desired position (smooth side of the handle facing away from the engine).
- Fit the lower handle clamp and secure using the 2 Torx bolts.

Assembly of the Hedgetrimmer



NOTE

The thickness of fresh growth (green branches), which may be cut using this hedge trimmer, is limited to up to approximately 10mm. Never try to cut branches thicker than this, as doing so may result in damage to the hedgetrimmer.

Blade information

- Never cut hedges thicker than 10mm and only fresh growth.
- If wire is caught by the blades, damage can occur which is not covered by the warranty.
- When sharpening, removing, or reattaching the blades, be sure to wear thick, sturdy gloves and use only appropriate tools and equipment to prevent injury.
- After you have finished using the hedgetrimmer, clean the blades and apply clean light grade lubricating oil to the entire length of the blades, including the blade bolts.

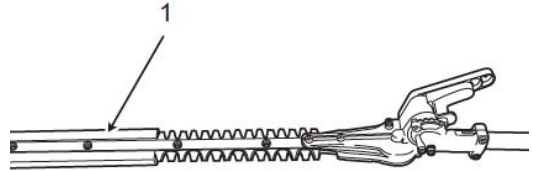
Operation

Adjusting the angle of the cutting blades

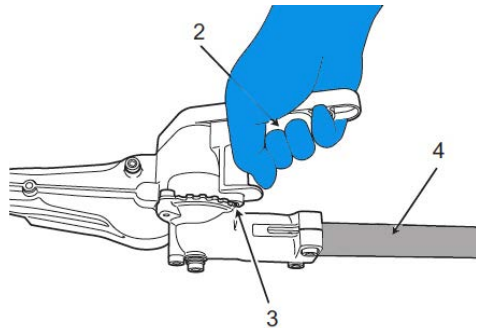
1. Stop the engine.

2. Always wear gloves when adjusting the blades.

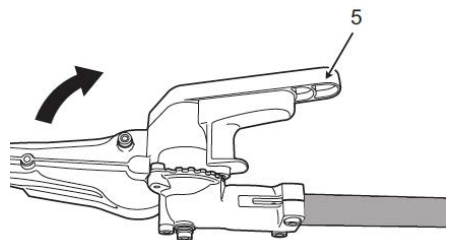
3. Lay the Hedgetrimmer flat on the ground and set the guard (1) to the trimmer blade .



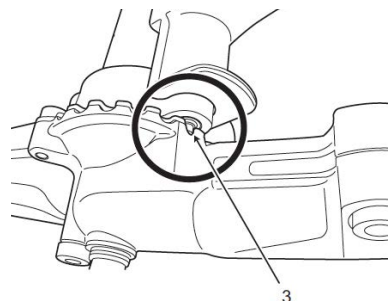
4. Squeeze the red locking lever (2) into the black handle (5) to release the locking pin (3).



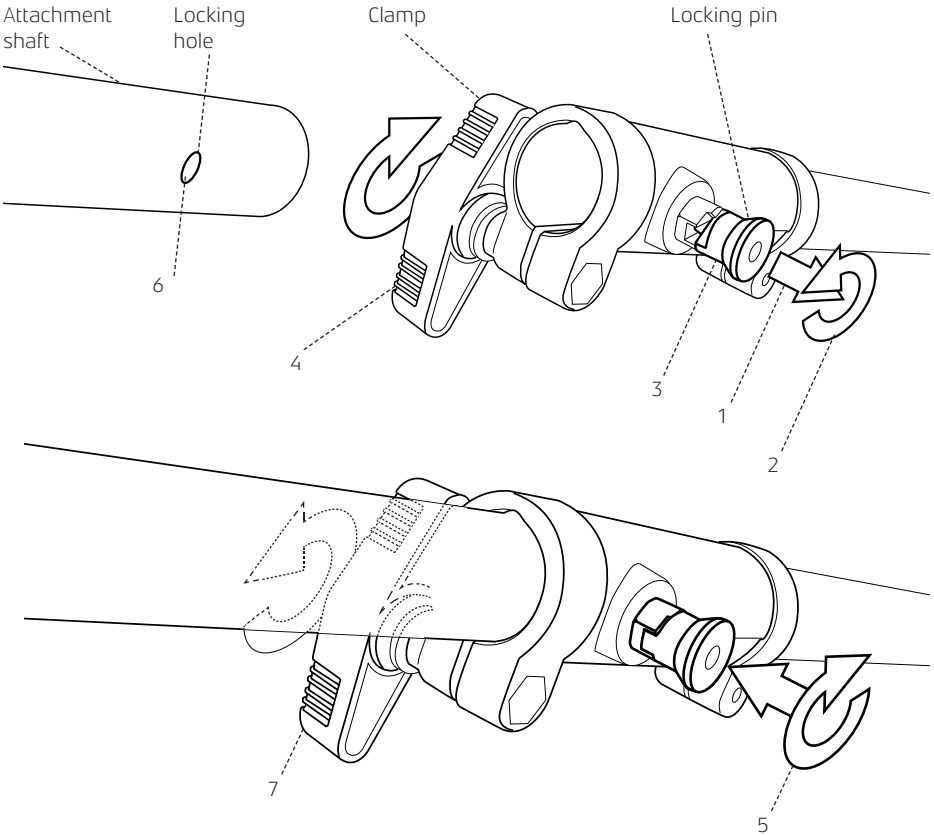
5. While holding the shaft (4), move the hedgetrimmer attachment/unit to the desired position.



6. Release the red locking lever and ensure the locking pin engages with the quadrant.



Installing the Hedgetrimmer to the Power Unit



- Pull out the locking pin (1) and twist (2) to lock in the outer position (3).
- Loosen the clamp by turning the handle (4).
- Insert the attachment shaft, lining up the locking hole with the locking pin .
- Twist the locking pin (5) to release it from the outer position. You may need to twist the attachment shaft to ensure that the locking pin engages with the locking hole (6).
- Tighten the clamp by turning the handle (7).

Operation  **WARNING**

Keep clear of the cutter head as it may start moving when the engine starts.

Starting the Engine

CAUTION do not pull the starter cord all the way out and do not let go of the starter handle when the cord is extended, this can damage the starter mechanism.

Cold Engine Starting

Rest the unit on a flat, firm surface. Keep the blades off the ground and clear of surrounding objects as they may start moving when starting the engine.

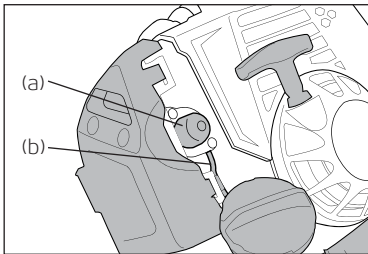


Fig 1 - Push the air purge bulb (a) until fuel is visible in the clear return fuel line (b)

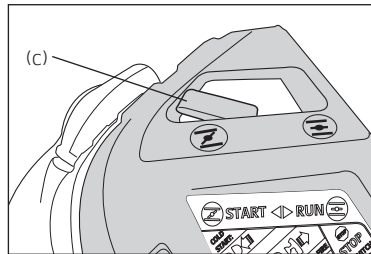


Fig 2 - Move the choke lever (c) to the START (N) position.

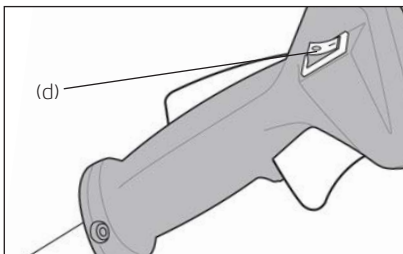


Fig 3 - Set the ignition switch (d) to the START (I) position.

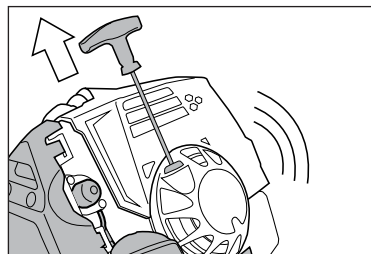


Fig 4 - While holding the unit, pull out the starter rope firmly until the engine fires (indicated by a 'cough' from the engine).

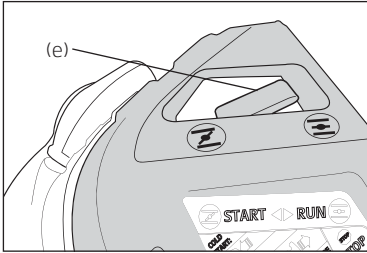



Fig 5 - Move the choke lever (e) to the RUN () position.

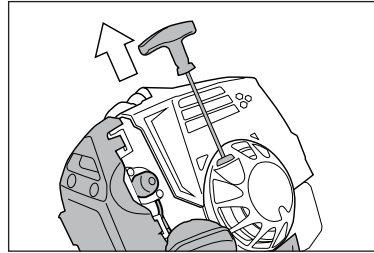




Fig 6 - Pull the starter rope until the engine starts, then squeeze the throttle briefly to release the fast idle control and return the engine to idle.

Allow the engine to warm up before use. When cutting, always use the Hedgetrimmer on full throttle.

Hot Engine Starting

- Set the ignition switch to the START (I) position (Fig 3 page 17).
- Check the clear return fuel line. If the line is empty, push the air purge bulb until fuel is visible in the clear return fuel line.
- Move the choke lever to the START () position, then back to the RUN () position. This will set the throttle to the hot start position.
- Pull the starter rope until the engine starts, then squeeze the throttle briefly to release the fast idle control and return the engine to idle.
- If the engine does not start after 5 pulls, use the Cold Start procedure.

Overchoking

Should the engine become flooded due to overchoking, turn the ignition switch off, unscrew the spark plug, wipe it dry or replace.

Stopping the Engine



Set the engine to idling by releasing the throttle lever.

Set the ignition switch to the off position "O" (STOP).

If the engine fails to stop, set the choke lever to the START position to stall the engine; do not use the machine until the ignition switch is repaired.

Running In

During the first ten hours of work, avoid running the engine at maximum speed for a prolonged period until all the components have bedded in, after the engine has been run in, it will reach its maximum power.

Transportation

Never transport the Hedgetrimmer with the engine running. An engine that is running could be accidentally accelerated causing the cutter head to engage.

Make sure the blade safety guards are in place when transporting the Hedgetrimmer.

When carrying by hand, the blades should be pointing backwards.

Ensure the Hedgetrimmer is secure when transporting in a vehicle and the tank is drained of fuel.

Maintenance

IMPORTANT

After every use, check that all nuts, bolts and screws are securely fastened and tighten if necessary.

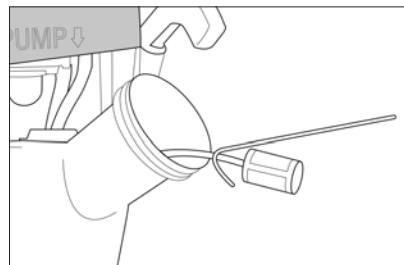
In the event of an accident, breakdown or blockage, ensure the engine is turned off before any work is carried out to rectify this.

Make sure the engine has stopped and is cool before performing any service to the machine.

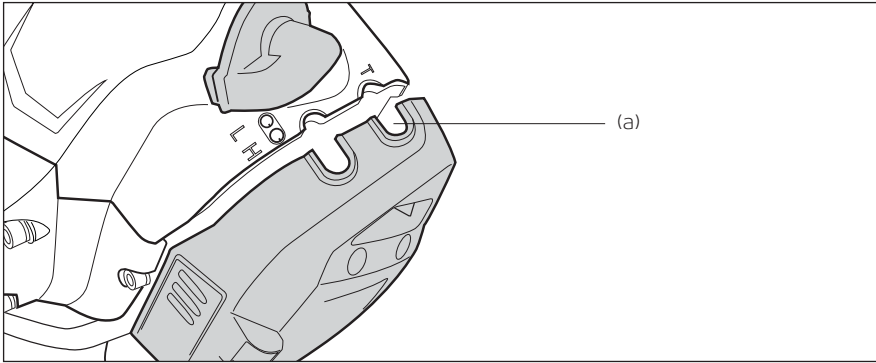
Contact with a moving cutting head or hot muffler may result in a personal injury.

Fuel Filter

Every 15 hours of operation, using a wire hook, take the fuel filter from the fuel tank and clean or replace with a new fuel filter.



Carburettor

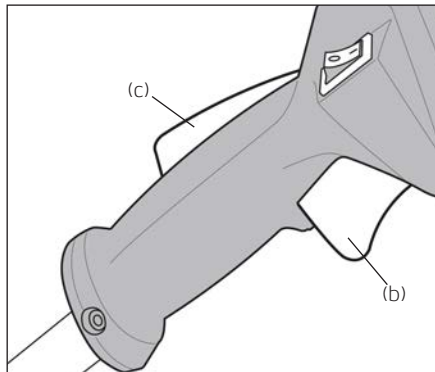


The carburettor mixture setting has been set at the factory and will not need adjusting.

Adjusting the idle speed: If adjustment is necessary turn the T screw (a) clockwise until the blades start to move, then turn the T screw anticlockwise until the blades stop.

If the idle speed cannot be adjusted to stop the blades moving at idle, contact your dealer for repair before use.

Safety Lock



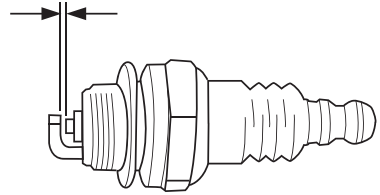
The safety lock is to prevent the throttle lever from accidentally being engaged. The throttle lever (b) can only be pressed in if the safety lock (c) is held down. Check if the safety lock and throttle lever returns to their original position and the engine returns to idling when you release your hand from the handle.

Any defects contact your nearest service agent for repairs before using the machine.

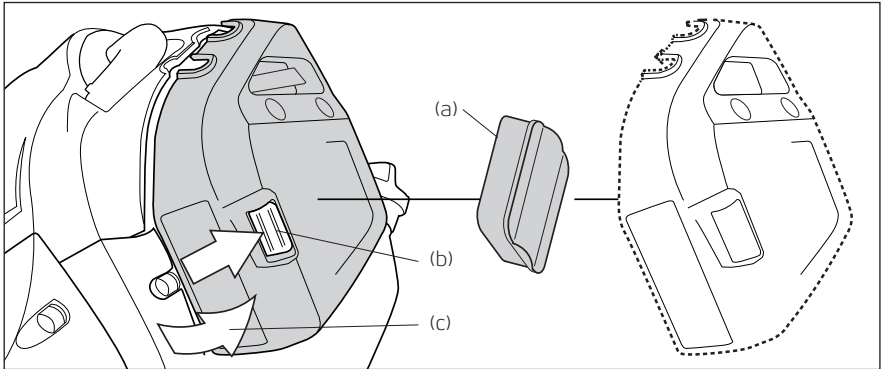
Spark Plug

Poor starting or misfiring is often caused by a fouled or defective spark plug, clean and reset the gap to 0.65 mm, or replace the spark plug with LD L8RTF; CHAMPION RCJ7Y; NGK BPMR7A as necessary.

0.6 - 0.7mm



Air Filter



Before using the Hedgetrimmer, check the air filter (a). Being clogged, will reduce the engine performance. Remove the air filter cover by pressing on the filter cover release (b) and opening the filter cover (c). Clean the filter element in warm, soapy water, dry completely before installing. If the element is broken or shrunk, replace with a new one.

Storage

- Remove the spark plug, pour a small amount of oil into the cylinder. Rotate the crankshaft several times using the starting rope in order to distribute the oil. Put the spark plug back in.
- Remove the fuel from the machine.
- Check the Hedgetrimmer for damage or problems at the intervals shown in the service schedule.

Hedgetrimmer Blades

- After each session of operation, oil the cutting blades with light oil.

Hedgetrimmer Gearbox Lubricant

- DO NOT force grease into the gear box, apply 2 or 3 pumps of lithium grease every 15 hours of operation by removing the access bolt on the gearbox (See illustration on page 15) Relocate and tighten this bolt before use.

Troubleshooting

Engine will not start, power loss:

- Check that the fuel tank is not empty. Fill with mixed fuel.
- The fuel does not reach the carburettor. Change the fuel filter in the fuel tank.
- There is water in the fuel. Drain and clean the fuel system.
- The air filter is dirty. Clean or replace the air filter.
- There are carbon deposits in the exhaust muffler restricting the engine. Clean or change the muffler.
- Spark plug is worn. Replace spark plug.

Service Schedule

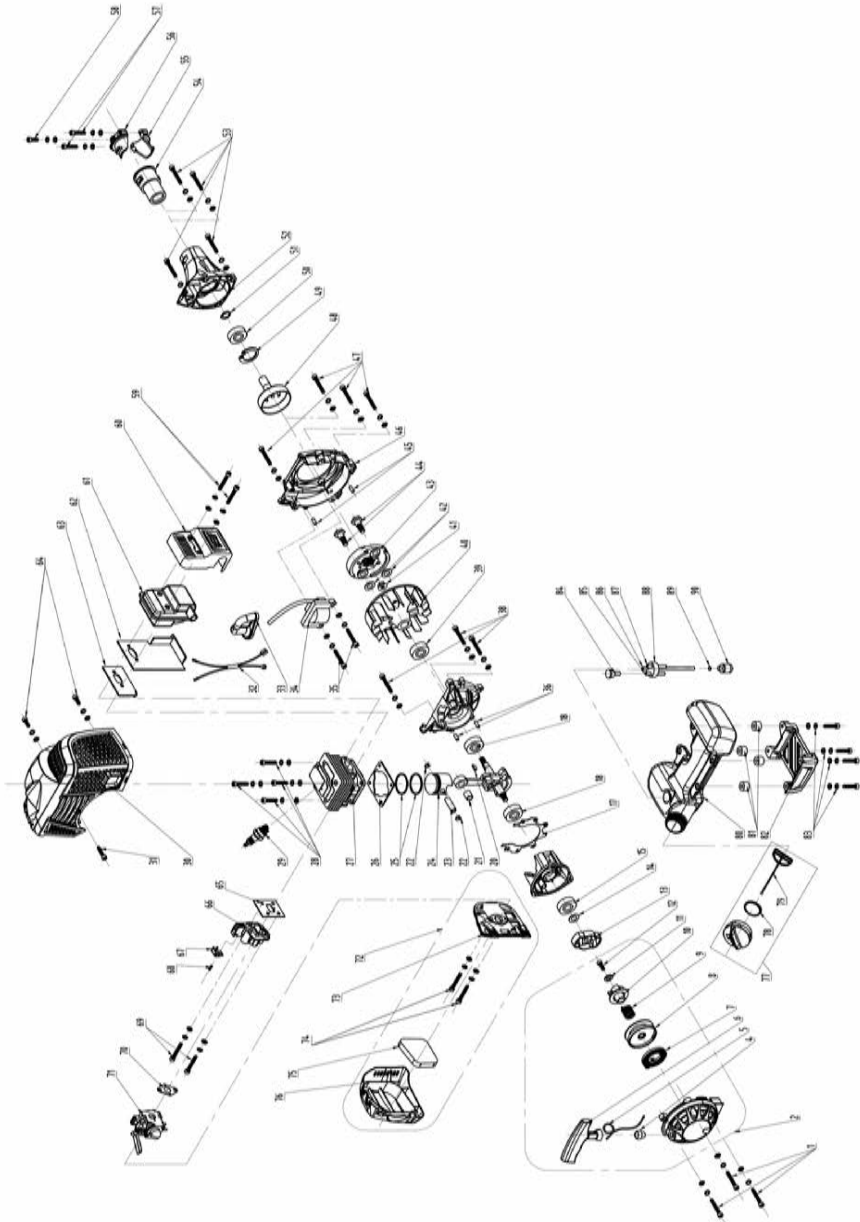
	Component	Procedure	Before use	Every 15 Hours	Every 25 Hours	Every 50 Hours	Note
Engine	Fuel leaks / spillage	Wipe up					
	Fuel tank / filter	Inspect / clean		X			Replace if necessary
	Idle adjust screw	See above	X		X		Adjust carburettor if necessary
	Spark plug LD L8RTF / CHAMPION RCJ7Y / NGK BPMR7A	Clean and readjust plug gap		X			GAP .025" (0.6-0.7mm) Replace, if necessary
	Cylinder fins / Intake air cooling vent	Clean		X			
	Air filter	Clean	X				
	Muffler / Spark arrestor / cylinder exhaust port	Clean				X	
Shaft	Throttle lever / ignition switch	Check operation	X				
	Screws / nuts / bolts	Tighten / replace	X				Not adjustment screws
	Gear Case	Check		X			
LH	Blade	Grease		X			
	Blade	Lubricate	X				

Specifications

MODEL MITOX 28LH SELECT		
Engine	Type	Air cooled 2-stroke gasoline engine
	Model	IE34F-4A
	Displacement : (cm ³)	25.4 cc
	Max. output	0.75 (kw) in accordance with ISO 8893
	Idle speed: rpm (min -1)	3100±400
	Max. rpm (min -1)	9000
	Fuel tank capacity	0.60L
	Fuel	Mixture (petrol 40 : Oil 1)
	Carburettor	Diaphragm type
Spark Plug	LD L8RTF; CHAMPION RCJ7Y; NGK BPMR7A	
Transmission		Centrifugal clutch
Weight (Power Unit Only)		4.63kg
Weight (Power Unit & Attachment)		7.31kg

EX-LH		
Weight (Attachment Only)		2.68kg
Tooth Spacing		27mm
Reduction ratio		4 : 1
Cutting head	Type	Reciprocating double blade
	Effective cut Length	510mm

Parts Diagram - Engine



Parts List - Engine

ID No.	Part Number	DESCRIPTION
1	MIGB/T2671.2 M5X12	SCREW M5X12
2	MITBC261D.01.12.00-00	STARTER ASSEMBLY
4	MIYD25.02.01-2	ROPE GUIDE
5	MIYD25.02.00-5	STARTER ROPE
6	MIYD62.02.00-3	STARTER HANDLE
7	MITBC261D.01.12.00-5	RECOIL SPRING
8	MITBC261D.01.12.00-4	RECOIL PULLEY
9	MITBC261D.01.12.00-6	STARTER SPRING
10	MITBC261D.01.12.00-7	RATCHET WHEEL
11	MIGB/T97.1 M5	WASHER M5
12	MIGB/T845 ST4.8X16	TAPPING SCREW ST4.8X16
13	MITBC260D.01.00.02-00	STARTER RATCHET ASSY
14	MIGB/T97.1 M8	FLAT WASHER M8
15	MIYD38-3.01.01.02-00	OIL SEAL 12X22X7
17	MITBC260D.01.01.00-3	GASKET - CRANKCASE
18	MIGB/T276 6001	BEARING 6001
20	MIGB/T1099 3X3.5X10	SEMI-CIRCULAR KEY 3X3.5X10
21	MITBC260D.01.03.03-00	BEARING 6001 8x11x11
22	MIYD38-3.01.03.00-4	PISTON PIN CIRCLIP
23	MIGJB25D.01.03.00-2	PISTON PIN
24	MIGJB25D.01.03.02-00	PISTON
25	MIGJB25D.01.03.00-1	PISTON RING
26	MITBC260D.01.00.00-4	GASKET - CYLINDER
27	MITBC261D.01.00.00-1	CYLINDER
28	MIGB/T2671.2 M5X20	SCREW M5X20
29	SPBPMR7A	SPARK PLUG (EQUIV BPMR7A)
30	MITBC261D.01.00.00-2	ENGINE COVER
31	MIGB/T845 ST4.8X16	TAPPING SCREW ST4.8X16
32	MITBC260D.01.11.02-00	WIRE
33	MITBC431D.01.11.00-1	SPARK PLUG COVER

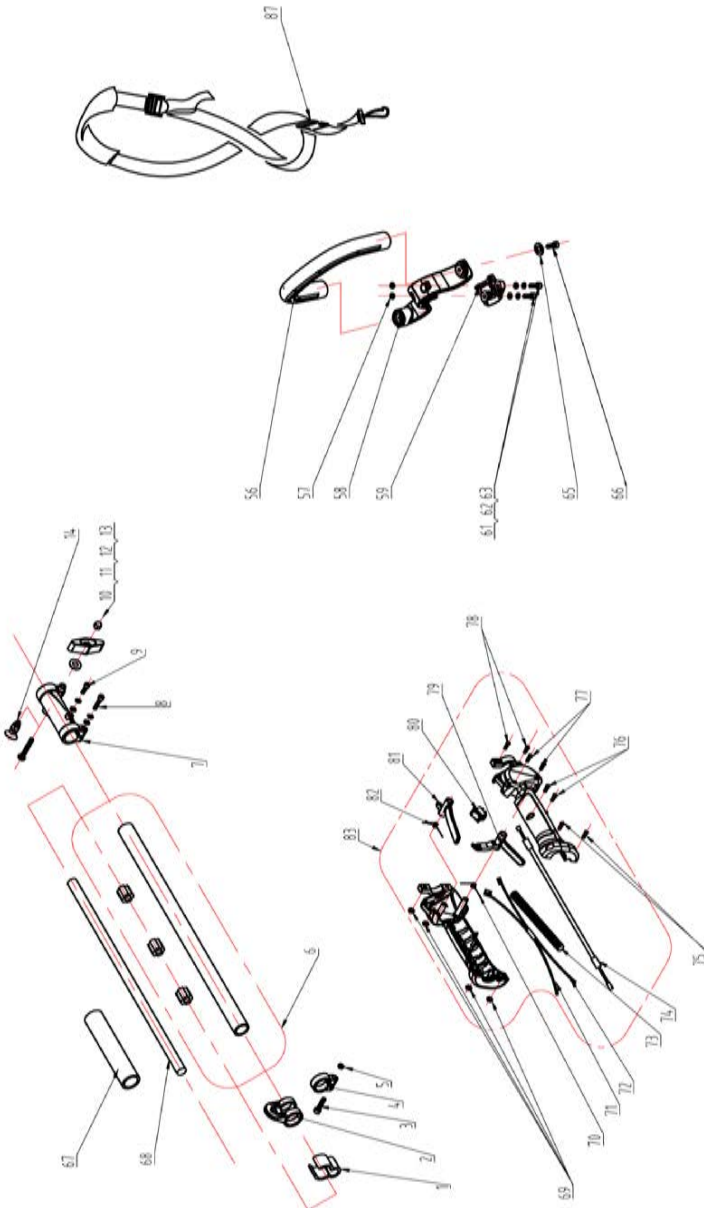
Parts List - Engine

ID No.	Part Number	DESCRIPTION
34	MITBC260D.01.11.01-00	IGNITION COIL
35	MIGB/T2671.2 M5X20	SCREW M5X20
36	MIGB/T119.2 5X10	PIN 5X10
38	MIGB/T2671.2 M5X25	SCREW M5X25
39	MIYD38-3.01.01.02-00	OIL SEAL 12X22X7
40	MITBC260D.01.10.00-00	FLYWHEEL
41	MIGB/T6177.2 M8X1	NUT M8X1
42	MIGJB25D.01.00.00-15	WAVE SPRING WASHER
43	MITBC260D.01.00.03-00	CLUTCH ASSEMBLY
44	MIGJB25D.01.00.00-14	BOLT FOR CLUTCH
45	MIGB/T119.2 4X10	PIN 4X10
46	MITBC261D.01.01.00-4	FAN COVER
47	MIGB/T2671.2 M5X20	SCREW M5X20
48	MITBC260D.01.14.01-00	CLUTCH DRUM ASSEMBLY
49	MIGB/T893.1 35	CIRCLIP (SIZE 35)
50	MIGB/T276 6202	BALL BEARING 6202-2Z
51	MIGB/T894.1 15	STOP RING (SIZE 15)
52	MITBC261D.01.14.00-1	CLUTCH DRUM HOUSING
53	MIGB/T2671.2 M6X20	SCREW M6X20
54	MITBC430D.01.14.00-2	ANTIVIBE RUBBER
55	MITBC430D.01.14.00-4	CLAMP RH
56	MITBC430D.01.14.00-3	CLAMP LH
57	MIGB/T2671.2 M5X25	SCREW M5X25
58	MIGB/T2671.2 M5X12	SCREW M5X12
59	MIGB/T2671.2 M5X52	SCREW M5X52
60	MITBC226D.1-2	MUFFLER COVER
61	MITBC261D.01.09.00-00	MUFFLER
62	MITBC261D.01.00.00-8	GASKET
63	MITBC260D.01.00.00-6	GASKET - MUFFLER
64	MIGB/T2671.2 M4X12	SCREW M4X12
65	MITBC260D.01.00.00-5	GASKET
66	MITBC261D.01.00.01-00	MANIFOLD

Parts List - Engine

ID No.	Part Number	DESCRIPTION
67	MITBC431D.01.00.00-12	STRAP
68	MIGB/T845 ST3.5X9.5	ST SCREW 3.5X9.5
69	MIGB/T2671.2 M5X20	SCREW M5X20
70	MITBC261D.01.00.00-4	GASKET / CARBURETTOR
71	MITBC261D.01.06.00-00	CARBURETTOR
72	MITBC261D.01.08.00-00	AIR FILTER ASSEMBLY
74	MIGB/T2671.2 M5X45	SCREW M5X45
75	MITBC261D.01.08.00-3	AIR BOX ASSEMBLY
77	MITBC431D.01.13.01	FUEL CAP ASSY
78	MITBC431D.01.13.01-3	PETROL CAP RUBBER
79	MITBC431D.01.13.01-2	STOPPER
80	MITBC261D.01.13.00-1	FUEL TANK
81	MITBC431D.01.13.00-2	FUEL TANK RUBBER
82	MITBC261D.01.00.00-7	FUEL TANK BRACKET
83	MIGB/T2671.2 M5X25	SCREW M5X25
84	MIYD45.03.04-00	BREATHER ASSY
85	MITBC431D.01.13.00-6	BREATHER PIPE
86	MITBC430D.01.13.00-4	FUEL PIPE
87	MITBC430D.01.13.00-5	RETURN PIPE
88	MITBC431D.01.13.00-3	GROMMET
89	MIYD45.01.01.01-3	CIRCLIP
90	MITD38-3.03.04-00	FUEL FILTER

Parts Diagram - Body



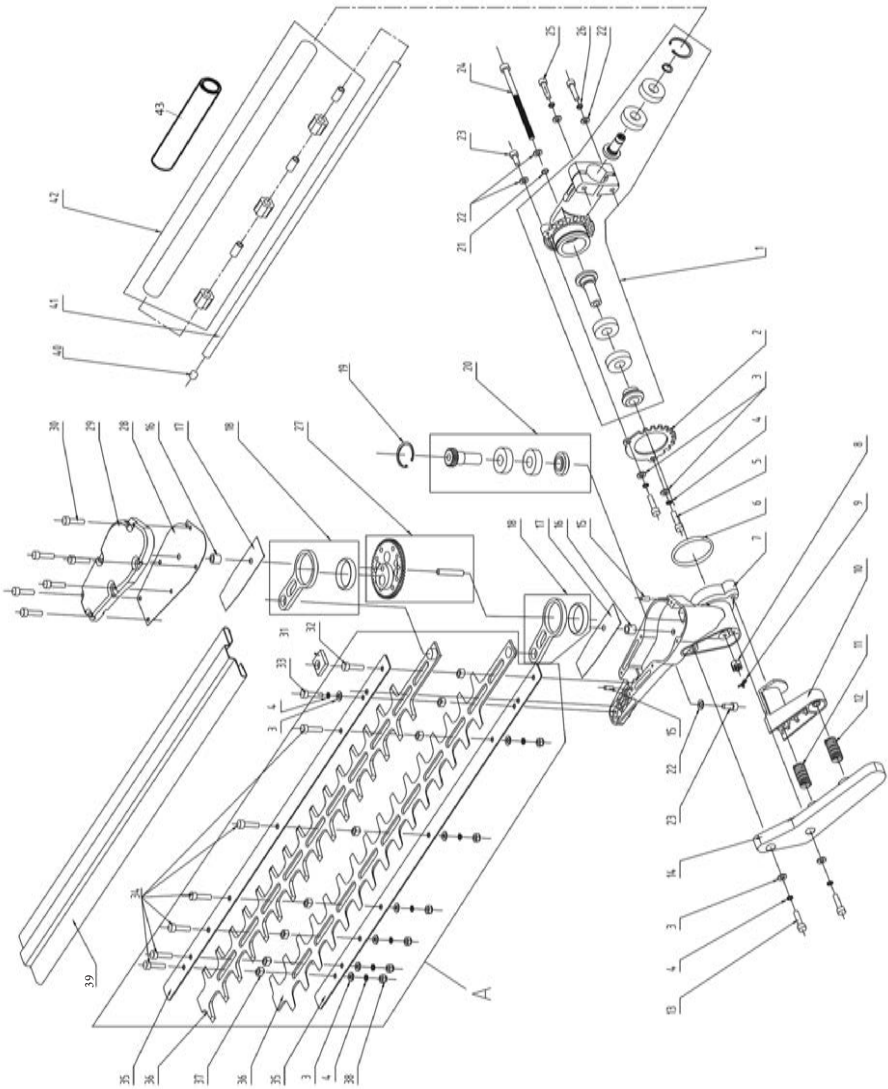
Parts List - Body

ID No.	Part Number	DESCRIPTION
1	MITBC431D.02.00-3	CLAMP
2	MITBC430D.03.02-00	HARNESS CLAMP LOOP
3	MIGB/T2671.2 M5X20	SCREW M5X20
4	MITBC430D.03.00-2	CLAMP
5	MIGB/T6170 M5	NUT M5
6	MITBC431SJ.03.02-00	OUTER SHAFT - UPPER
7	MITBC431DJ.03.03-00	COUPLING ASSEMBLY
8	MIGB/T2671.2 M5X25	SCREW M5X25
9	MIGB/T2671.2 M5X12	SCREW M5X12
10	MIGB/T5781 M6X50	BOLT M6X50
11	MIGB/T96 M6	WASHER M6
12	MITBC431DJ.03.03-7	LOCK KNOB
13	MIGB/T923 M6	NUT M6
14	MITBC431DJ.03.03-3	LOCK ASSY
56	MITBC431S.05.01-1	LOOP HANDLE UPPER
57	MIGB/T6170 M5	NUT M5
58	MITBC431S.05.01-2	HANDLE BASE
59	MITBC431S.05.01-3	HANDLE CLAMP
61	MIGB/T2671.2 M5X28	SCREW M5X28
62	MIGB/T93 M5	SPRING WASHER M5
63	MIGB/T97.1 5X12X1.5	WASHER 5X12X1.5
65	MIGB/T97.1 5X12X1.5	WASHER 5X12X1.5
66	MIGB/T845 ST4.8X19	TAPPING SCREW ST4.8X19
67	MI03.06.1.075	FOAM GRIP
68	MITBC430DJ.03.00-1	DRIVE SHAFT
69	MIGB/T6170 M5	NUT M5
70	MITBC431S.05.02-5	SPRING
71	MITBC431S.05.02-8	WIRE A
72	MITBC431S.05.02-9	WIRE B
73	MITBC431S.05.02-10	CONDUIT

Parts List - Body

ID No.	Part Number	DESCRIPTION
74	MITBC431S.05.02-7	THROTTLE CABLE
75	MIGB/T2671.2 M5X14	SCREW M5X14
76	MIGB/T845 ST3.5X9.5	ST SCREW 3.5X9.5
77	MIGB/T845 ST4.2X10	ST SCREW 4.2X10
78	MIGB/T2671.2 M5X14	SCREW M5X14
79	MITBC431S.05.02-4	THROTTLE TRIGGER
80	MIYD38-3.01.11.04-00	ON/OFF SWITCH
81	MITBC431S.05.02-3	LOCK TRIGGER
82	MITBC431S.05.02-6	LOCK SPRING
83	MITBC431S.05.02-00	THROTTLE ASSEMBLY
87	MITBC430D.07.01-00	HARNESS

Parts Diagram - Hedgetrimmer



Parts List - Hedgetrimmer

ID No.	Part Number	DESCRIPTION
1	MIC26.1615.0100	RIGHT GEAR BOX ASSEMBLY
2	MIC26.1615.0103	POSITIONAL PLATE
3	MIGB/T97 M5	FLAT WASHER M5
4	MIGB/T93 M5	SPRING WASHER M5
5	MIGB/T2671.2 M5X16	SCREW M5X16
6	MIGB/T3452.1 34.5X1.8	O-RING 34.5X1.8
7	MIC26.1615.0201	LEFT GEAR BOX
8	MIGB6178 M6	NUT M6
9	MIGB91 2X14	COTTER PIN 2X14
10	MIC26.1615.0002	LEFT HALF HANDLE
11	MIC26.1615.0012	SMALL SPRING
12	MIC26.1615.0013	LARGE SPRING
13	MIGB/T2671.2 M5X20	SCREW M5X20
14	MIC26.1615.0001	RIGHT HAND HANDLE
15	MIGB/T119 B4X10	PIN B4X10
16	MIGB/T290 6X10X9	NEEDLE BEARNING
17	MIC26.1615.0005	SUBPLATE
18	MIC26.1615.0006	CONNECTING ROD
19	MIGB893.1 28	28 CIRCLIP
20	MIC26.1615.0202	GEAR BOX ASSEMBLY 2
21	MIGB/T3452.1 6X1.8	O-RING 6X1.8
22	MIGB/T97 M6	FLAT WASHER 6
23	MIGB/T2671.2 M6X12	SCREW M6X12
24	MIC26.1615.0107	SCREW
25	MIGB/T2671.2 M6X30	SCREW M6X30
26	MIGB/T93 M6	SPRING WASHER M6
27	MIC26.1615.0008	GEAR BOX ASSEMBLY 3
28	MIC26.1615.0004	SEALING GASKET
29	MIC26.1615.0003	GEAR BOX COVER
30	MIGB/T2672 M4X16	SCREW M4X16
31	MIC26.1615.0011	FELT SEALING GASKET

Parts List - Hedgetrimmer

ID No.	Part Number	DESCRIPTION
32	MIGB/T2672 M5X25	SCREW M5X25
33	MIGB/T2671.2 M5X25	SCREW M5X25
34	MIGB/T2671.2 M5X18	SCREW M5X18
35	MIC26.1615.0302	MOUNTED PLATE
36	MIC26.1615.0301	BLADE
37	MIC26.1615.0303	BUSHING
38	MIGB/T889.1 M5	NUT M5
39	MIB25.0119.0002	BLADE STRIP
40	MIC43.1212.0001	LIMIT SLEEVE
41	MIC43.0212.0001	DRIVE SHAFT
42	MIC43.1212.0100	FRONT ALU PIPE ASSEMBLY
43	MI03.06.1.075	FOAM GRIP
A	MIC26.1615.0300	BLADE ASSEMBLY

EC Declaration of Conformity

We Mitox (Rochford Garden Machinery Ltd) - BA9 9RS (importer) declare that the product(s):

Designation: Petrol Powered Hedgetrimmer
Model(s): MITOX 28LH-a SELECT
Type/Serial No: As per rating label on machine

Complies with the following directive(s):

2006/42/EC Machinery Directive
2004/108/EC EMC Directive
97/68/EC Directive as last amended by 2012/46/EU NRMM
2000/14/EC and 2005/88/EC Noise Directive for outdoor equipment use

The conformity assessment procedure followed was in accordance with:

EN ISO 11806-1:2011 EN ISO 11680-1:2011
EN ISO 10517:2009+A1:2013 EN ISO 14982:2009 ISO 22868:2011

Notified Body:

Intertek Testing Services

Address:

Building No. 86, 1198 Qinzhou Road (North) Shanghai 200233, China

Measured Sound Power Level: 110.6 dB (A)
Guaranteed Sound Power Level: 113 dB (A)

Authorised Signatory and Technical File Holder

Date: 20/11/2015

Signature:



Name: Stewart Anderson
Position: Managing Director
Company: Mitox (Rochford Garden Machinery Ltd)
Address: Wincanton Business Park
Wincanton
Somerset
BA9 9RS





CONDITIONS OF WARRANTY

The manufacturer warrants the product against faulty materials and workmanship for a standard 1 year period and thereafter for the set period specific to each range from the date of purchase. Warranty does not extend to failure due to fair wear and tear.

- SP** - 1 Year
 - SELECT** - 3 Years (Subject to yearly servicing)
 - PREMIUM** - 5 Years (Subject to yearly servicing)
 - PRO** - 5 Years Domestic / 3 Years Commercial (Subject to yearly servicing)
- (Extended warranty is subject to online registration and yearly servicing)*

SP, SELECT and PREMIUM ranges used for commercial purposes have a warranty period of 3 months from the date of purchase.

The manufacturer undertakes to replace any spare parts that are classified as defective by an appointed Mitox service dealer. The manufacturer will not accept liability for the replacement of the machine, either partially or wholly, and /or consequential damages and /or interest charges either directly or indirectly.

Warranty does not cover failure due to:

- Insufficient maintenance.
- Incorrect fuel mixture and stale fuel.
- Abnormal use or accidental damage.
- Incorrect assembly, adjustment or operation of the product.
- Spare parts that are subject to wear e.g. bag, blades, bearings, cables, guards, deflectors, spark plugs, air filters etc.

Neither does warranty extend to:

- Freight and packing costs.
- Use of non-genuine spare parts i.e. those from another manufacturer.
- Use of the machine for any other purpose than that for which it was designed.
- Use and maintenance of the machine in a manner not described in the owner’s manual.

As part of our policy of continuous product improvement, we reserve the right to alter or amend this specification without notice. As a result, the product may differ from the information contained herein but any alteration will only be implemented without notice if it is classified as an improvement to the above specification.

READ THE MANUAL CAREFULLY BEFORE OPERATING THE MACHINE

When ordering spare parts, please quote the part number, this can be found in the parts list included in this manual.

Retain your proof of purchase, without which no warranty can be offered.

Mitox Garden Machinery, Wincanton Business Park, Wincanton, Somerset, BA9 9RS