



# **Poly Garden Cart**

**Model: QGPGC**

(150kg Max. Load Capacity)

**SAFETY AND OPERATING MANUAL**

**SAVE THESE INSTRUCTIONS**

**ASSEMBLY REQUIRED**

Please read & understand this manual, paying attention to the safety instructions before use.

We reserve the right to change the product specification & livery according to continued product improvements.

**1938148001 29-06-17**



## CONTENTS

SPECIFICATION  
IMPORTANT INFORMATION  
GENERAL SAFETY INSTRUCTIONS  
WHATS INCLUDED  
ASSEMBLY  
OPERATION  
TROUBLE SHOOTING  
MAINTENANCE & STORAGE  
PARTS DIAGRAM & LIST  
WARRANTY

## SPECIFICATION

Model	QGPGC
Product No.	1938148001
Max. Load Capacity	150kg (330lbs)
Max. Tipping Capacity	100kg (220lbs)
Product Dimensions	L 1150mm x W 515mm x H 970mm
Tub Dimensions	L 940mm x W 515mm x 210mm
Tyres	Pneumatic 10x3 (Not for Highway Use)
Max. Tyre Pressure	25PSI – 1.7BAR (Do Not Exceed)
Weight	G.W 17kg – N.W 15kg

Consistent with our policy of continuous improvement, QGARDEN reserves the right to change the design and configuration of any of its products without notice or obligation. Therefore, please treat the text and images in this manual as being for illustrative purposes only. They may in no case serve as a basis for any legal claim.

### **ASSEMBLY IS REQUIRED – TWO PEOPLE**

This product requires assembly before use. See the “Assembly” section for instructions. Please check that all parts required for the assembly of this spreader are included. If for any reason you believe a part for the assembly is missing or damaged, please contact us.

**If you require any assistance with regards to the contents or operation of your machine, please contact us:**

**TEL: 01793 333212**

**EMAIL: [customerservice@handydistribution.co.uk](mailto:customerservice@handydistribution.co.uk)  
(Monday to Friday 8.00AM TO 5.30PM Excl. Bank Holidays)**

## IMPORTANT INFORMATION

### INTENDED USE

The QGARDEN Poly Garden Cart is designed for use in private gardens and primarily used around **GRASS OR LAWN AREAS**, but not in public facilities, parks or sports grounds and not for agricultural or forestry use. This product is not intended for commercial use.

This is a garden trolley, therefore extended use over abrasive surfaces (e.g. concrete, tarmac etc.) could cause premature wear on the trolley tyres. Commercial or industrial environments are not recommended.

Compliance with this manual supplied by the manufacturer is a prerequisite for the proper usage of the machine. The operating manual contains servicing and maintenance instructions as well as directions for use.



### WARNING

**Read this instruction manual carefully before operating this machine. Make sure that you are familiar with the controls and properly operate the machine. Following these instructions can reduce the risk of personal injury.**

### IF NOT USED PROPERLY THIS MACHINE CAN BE DANGEROUS!

This machine can cause serious injury to the operator and others, the warning and safety instructions must be followed to ensure reasonable safety and efficiency in using this product. The operator is responsible for following the warning and safety instructions in this manual and on the machine. Never use the product unless the components are correctly positioned and operational.

### TRAINING

Read the instructions carefully: Be familiar with the controls and the proper use of the equipment.

Never allow children or people unfamiliar with these instructions to use the product.

Local regulations can restrict the age of the operator.

Keep in mind that the operator or user is responsible for accidents or hazards involving the machine that occur to other people or their property.

### SAFETY SYMBOLS



Safety alert symbol. Used to alert you to potential personal injury hazards. Obey all safety messages that follow this symbol to avoid possible injury.



### DANGER

Indicates an imminently hazardous situation which, if not avoided, will result in serious injury.



### WARNING

Indicates a potentially hazardous situation which, if not avoided, could result in serious injury



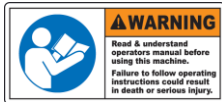
### CAUTION

Indicates a potentially hazardous situation which, if not avoided, may result in minor or moderate injury.

### CAUTION

Used without the safety alert symbol indicates a potentially hazardous situation which, if not avoided, may result in property damage.

# GENERAL SAFETY INSTRUCTIONS



**Read and understand the owner's manual and labels affixed to the product. Learn its application and limitations as well as the specific potential hazards. Retain these instructions for future reference. The operator is responsible for following the warnings & instructions in this manual and on the product.**

## DURING OPERATION

- This is a garden cart, therefore extended use over abrasive surfaces (e.g concrete, tarmac etc.) could cause premature wear on the trolley tyres.
- Always ensure that your load is evenly distributed over the front and rear axles & four wheels.
- Tyre inflation must be undertaken with a foot or hand manual inflation device. The tyre pressures must not exceed 25PSI or 1.7BAR. **(DO NOT USE ELECTRICAL OR MECHANICAL INFLATION DEVICES).**
- **Do not at any time allow anyone to sit or stand on the Trolley.**
- Do not allow children to play on, stand upon or climb in the Trolley.
- Always inspect the Cart before use to ensure it is in good working condition.
- Immediately replace or repair damaged or worn parts before using the Cart.
- Always check and tighten hardware and assembled parts before operation.
- Do not exceed the equipment maximum load capacity of 150kg (330lbs), tipping capacity 100kg (220lbs).
- Do not try to carry loads that make the Cart unstable.
- Avoid large holes and ditches when using the Cart.
- Be careful when operating on steep gradients (hills) the Cart may tip over.
- Always operate at a reduced speed in rough terrain, along creeks, ditches and on hillsides.
- Do not operate close to creeks, ditches and public roads.
- To avoid personal injury and/or equipment damage **DO NOT EXCEED 10 MPH.**
- Always use caution when loading and unloading the Cart.

## CRUSH AND CUT HAZARDS

- Always keep your hands and feet clear from moving parts while operating the equipment.
- Always keep the work area clean and clear when operating

## STAY ALERT

Do not operate the machine while under the influence of drugs, alcohol, or any medication that could affect your ability to use it properly. Do not use this machine when you are tired or distracted from the job at hand. Be aware of what you are doing at all times. Use common sense.

## AVOID DANGEROUS CONDITIONS

Make sure there is adequate surrounding workspace. Cluttered areas invite injuries. Keep your work area clean with sufficient light. Keep the area around the machine clear of obstructions, grease, oil, rubbish and other debris which could cause persons to fall onto moving parts.

## INSPECT YOUR MACHINE

Check all bolts, nuts, and screws for tightness before each use, especially those securing guards and drive mechanisms. Vibration during use, may cause these to loosen. Form a habit of checking to see that all other tools/equipment are removed from the working area before turning it on.

Replace damaged, missing or failed parts before using it. Warning labels carry important information. Replace any missing or damaged warning labels.

**DRESS PROPERLY**

Do not wear loose clothing, gloves, scarfs, neckties or jewellery (rings, wrist watches), which can be caught in moving parts. Protective electrically non-conductive gloves and non-skid heavy-duty footwear are highly recommended when working. Wear a face or dust mask if the operation is dusty. Always wear safety glasses/goggles and/or face shields. Everyday eyeglasses have only impact resistant lenses; they are not safety glasses/goggles. Wear protective hair covering to contain long hair, preventing it from getting caught in machinery.

**KEEP BYSTANDERS AND CHILDREN AWAY**

Keep unauthorised persons a minimum distance of 10 metres away from the machine. If approached, stop the machine immediately. Do not allow children to handle, climb on or in the machine. Do not at any time allow anyone to sit or stand on the Trolley. Do not allow children to play on, stand upon or climb in the Trolley.

**DO NOT OVERREACH**

Always keep proper footing and balance when using the machine. Never stand on the machine. Serious injury could occur if the machine is tipped or if the moving parts are unintentionally contacted. Do not store anything above or near the machine, where anyone might stand on the machine to reach them.

**AVOID INJURY FROM UNEXPECTED ACCIDENT**

Keep hands & feet out of the way of all moving parts. Do not place any part of your body or any tool e.g. in the machine during operation.

**DO NOT FORCE TOOL**

Do not exceed the equipment maximum load capacity of 150kg (330lbs)  
Always ensure that your load is evenly distributed over the front and rear axles & four wheels. Do not try to carry loads that make the Trolley unstable.

**NEVER LEAVE MACHINE RUNNING UNATTENDED**

Do not leave your machine unattended until it has come to a complete stop.

**MAINTAIN YOUR MACHINE WITH CARE**

Clean the machine immediately after use. Keep the machine clean to ensure it operates to its full & safest performance. When maintaining this machine, only the manufacturer's original replacement parts should be used. The use of non-original manufacturer parts may invalidate your warranty.

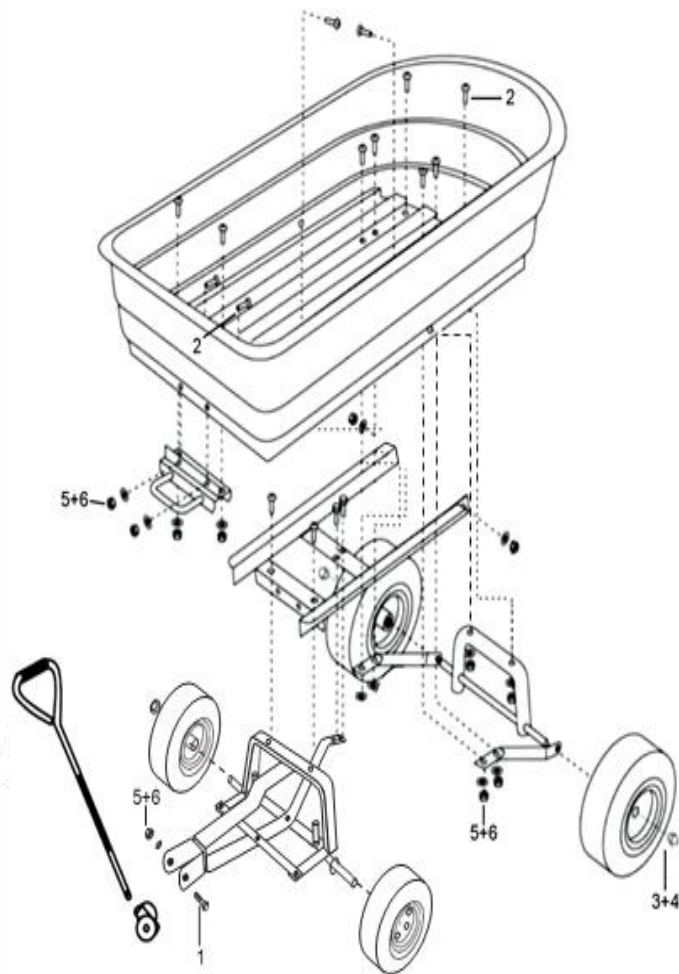
**PROTECT THE ENVIRONMENT**

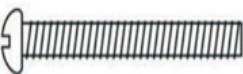
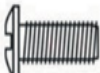




Take left over materials to an authorised collection point or follow the stipulations in the country where the machine is used. Do not discharge into drains, soil or water.

**STORE IDLE EQUIPMENT**

When not in use, the machine should be stored in a dry location. Keep the machine away from children and others not qualified to use it.

## WHAT IS INCLUDED



- |   |   |             |
|---|---|-------------|
| 1 |  | M8x60 (1x)  |
| 2 |  | M8x20 (16x) |
| 3 |  | M12 (4x)    |
| 4 |  | M12 (4x)    |
| 5 |  | M8 (17x)    |
| 6 |  | M8 (17x)    |

## ASSEMBLY

### STEP 1

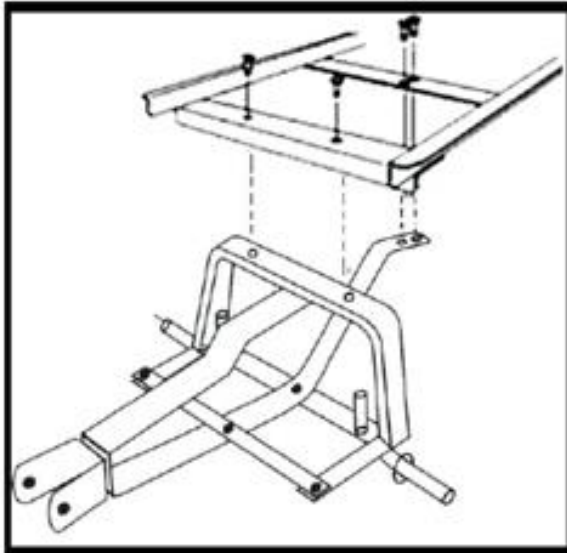
Turn the tub upside down.

1



### STEP 2

Assemble the Front Axle Bracket to the Front Frame, using 4x M8x20 bolts, 4x M8 nuts and 4x 8mm washers.



3

### STEP 3

Attached the Rear Axle Bracket to the Tub. Use 2x M8x20 bolts, 2x M8 nuts & 2x 8mm washers. Ensure the bolt and washers are fitted inside the tub.





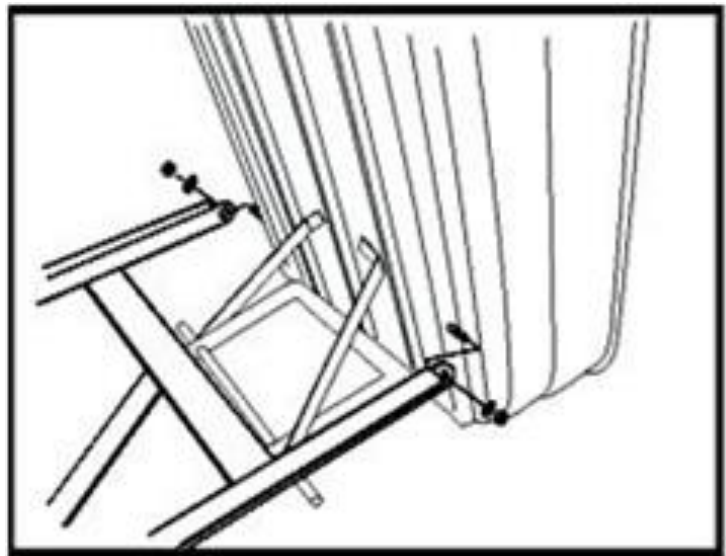
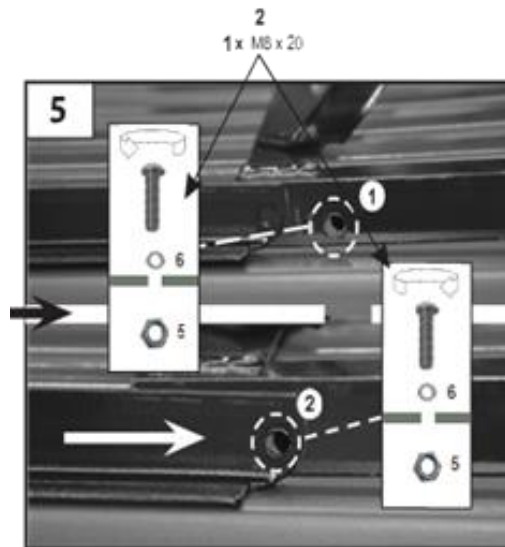
#### STEP 4

Place the Left & Right Rear Axle Braces over the axles of the Rear Axle Bracket and secure to the Tub, using 4x M8x20 bolts, 4x M8 nuts and 4x 8mm washers. Ensure the bolt and washers are fitted inside the tub.

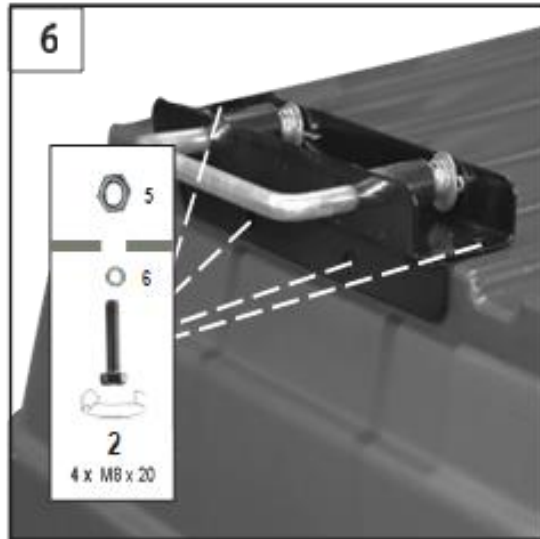


#### STEP 5

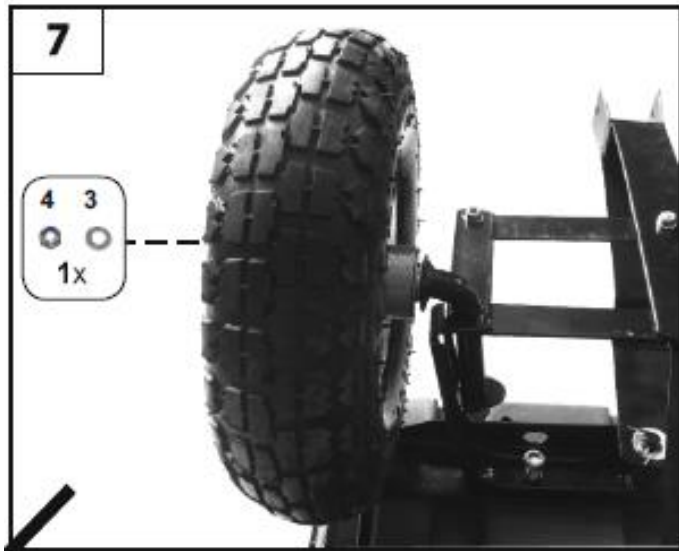
Place the Tub in the dump position. Remove the front screws from the rear frame. Place the Front Axle & Front Frame and slide it over the Rear Frame, where you have removed the bolts. Once aligned, refit the bolts, washers and nuts. The Rear Frame, Front Fram, Front Axle and Tub should now be connected.



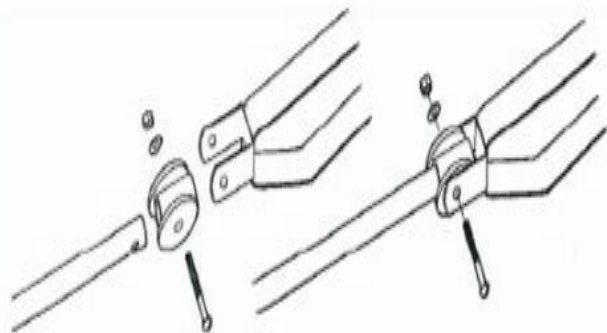
**STEP 6**  
Attach the Lock to the Tub,  
using 4x M8x20 bolts, 4x M8  
washer & 4x M8 nut.



**STEP 7**  
Attach the four wheels to the  
four axles. Please the large  
M12 washer after the wheel  
and secure using the M12 Lock  
Nuts



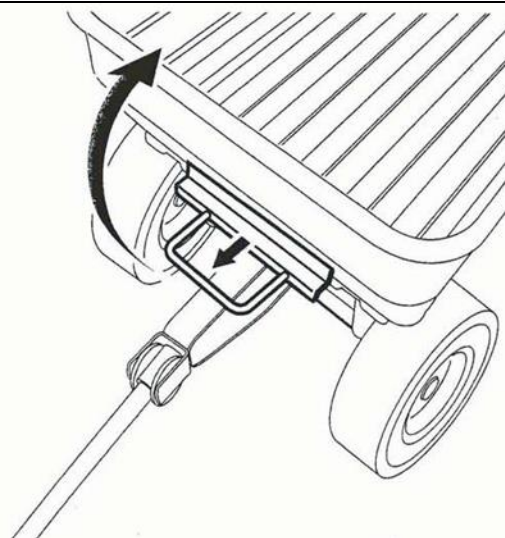
**STEP 8**  
Assemble the Handle to the  
Yoke, using the Coupling,  
M8x60 Bolt, M8 Lock Nut & M8  
washer.



## OPERATION

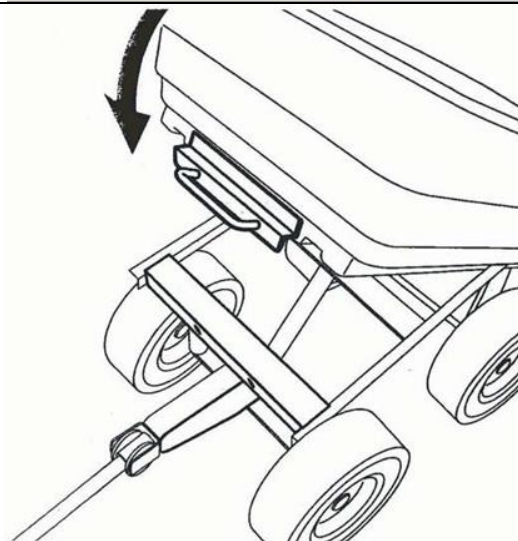
### RAISING THE TUB

To operate the dumping feature, pull the dumping release handle outward to release the tub from the locking mechanism. Lift up the release handle to raise the cart into the dumping position.



### RETURNING THE TUB TO THE BASE

Move the tub back down to the lowered position. Make sure the dumping release handle is locked into place when the tub is in the lowered position.



## TROUBLESHOOTING



### WARNING!

Only perform the steps described in these instructions! All further inspection, maintenance and repair work must be performed by an authorised service specialist! Contact your local authorised service dealer if the problem cannot be solved by yourself!



### WARNING!

If the product does not perform properly, makes unusual sounds, does not start or stop as described, or any other irregularity or malfunction occurs, do not attempt to repair the product by yourself. Please contact customer services or your local authorised service dealer.

### NEED ASSISTANCE

For Spares or Support of your Handy product, please contact us:

Tel: 01793 333212

Email: [customerservice@handydistribution.co.uk](mailto:customerservice@handydistribution.co.uk)

Monday to Friday 8.00am to 5.30pm (excl. Bank Holidays)

## MAINTENANCE & STORAGE



### WARNING

**Improper maintenance & storage of the Trolley may void your warranty.**

#### LUBRICATE

Maintenance spray or multi-purpose grease can be applied to the wheel axle prior to long-term storage. Oiling is not necessary.

#### CLEANING

After each use, thoroughly clean material out of the cart.

Rinse/dry inside and outside of the Trolley after each use.

#### STORING

Never allow material to stay in the hopper for extended periods of time.

Before storing, ensure that the spreader is clean and dry.

Store indoors or in a protected area during severe weather and in the winter months.

#### CHECK ALL NUTS, BOLTS AND FASTENING

Periodically check all fastenings are tight & secure.

#### NEVER EXCEED LOAD CAPACITY

To avoid damaging the spreader, never exceed the rated load capacity of 150kg (330lbs) or tipping capacity of 100kg (220lbs)

#### TYRES

Ensure the tyre pressures are checked regularly. Tyre inflation must be undertaken with a foot or hand manual inflation device. The tyre pressures must not exceed 25PSI or 1.7BAR. **(DO NOT USE ELECTRICAL OR MECHANICAL INFLATION DEVICES).**

Incorrect tyre pressures and constant use of the cart on abrasive surfaces can cause premature wear, which would not be covered under the terms of the manufacturer's warranty.

#### **IMPORTANT:**

Only use the manufacturer's original replacement parts. Non-original replacement parts will invalidate your warranty and may result in a safety hazard or poor operation. Parts are available by calling 01793 333212.

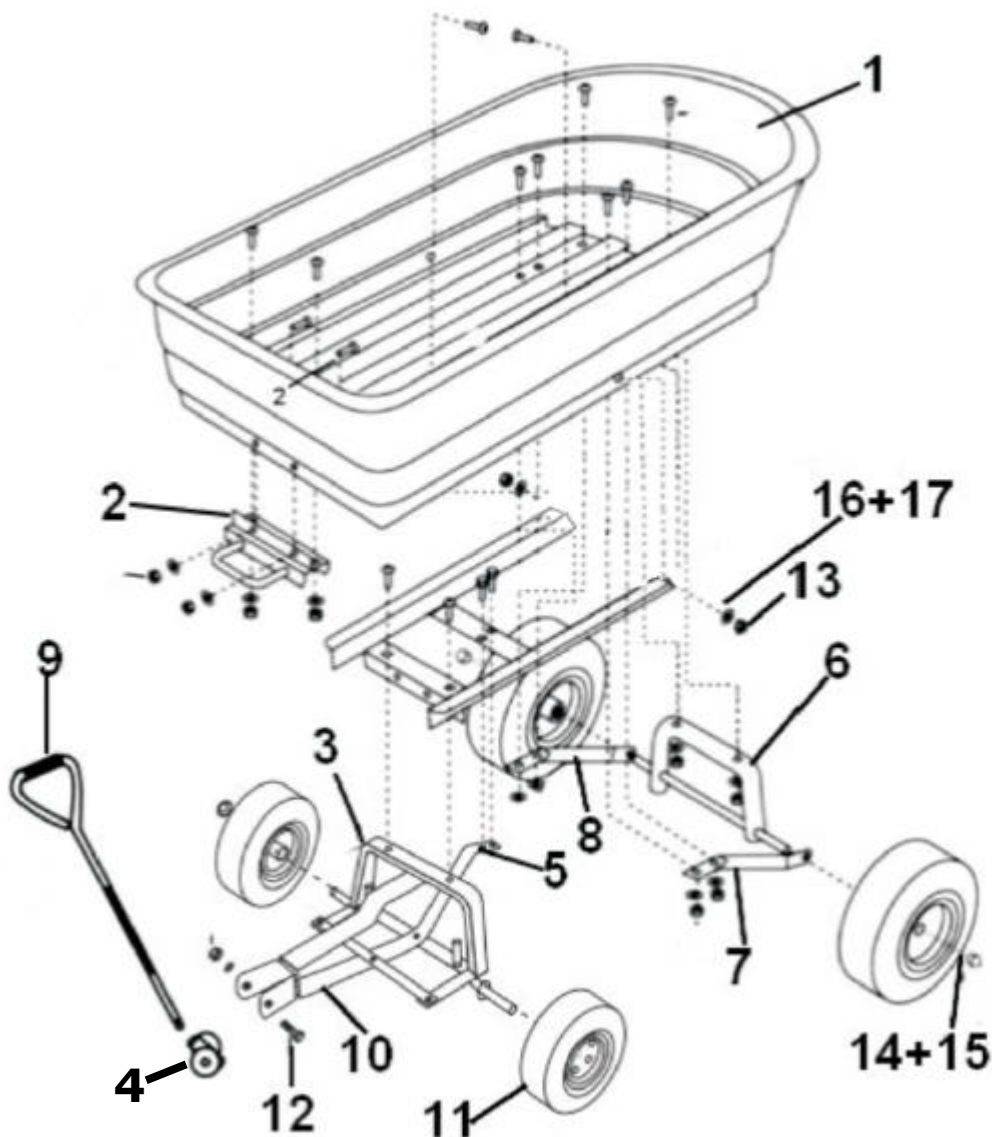
## REPAIRS & SERVICING

Users of this product should only undertake actions described in this manual, unless otherwise instructed by the manufacturer. All other repairs and servicing should only be undertaken by an approved service/repair dealer. Your nearest approved service/repair dealer can be found at [www.thehandy.co.uk](http://www.thehandy.co.uk).

When repairing the product, always use approved replacement parts or those which are technically identical. Using high quality replacement parts avoid the risk of accidents, damage to the product and invalidating the manufacturer's warranty.

Replacement parts lists are supplied in this manual.

## PARTS DIAGRAM – QGPGC (1938148001)



## PARTS LIST - QGPGC (1938148001)

ITEM NO	PART NO	DESCRIPTION	QTY
1	QG114-1	Tub	1
2	TH140-2	Lock	1
3	QG114-3	Front Axle	1
4	TH122-13	Coupling	1
5	QG114-5	Front Bracket	1
6	QG114-6	Rear Axle	1
7	QG114-7	L/R Axle Brace	1
8	QG114-8	R/R Axle Brace	1
9	QG114-9	Handle	1

ITEM NO	PART NO	DESCRIPTION	QTY
10	QG114-10	Yoke	1
11	QG114-11	Wheel & Tyre	4
12	TH215-E1-21	M8x60 Bolt	1
13	TH140-14	M8x20 Bolt	16
14	QG114-14	M12 Washer	4
15	TH215-B2-24	M12 Lock Nut	4
16	TH140-19	M8 Washer	17
17	TH140-16	M8 Lock Nut	17

# GJ HANDY & CO LTD USER WARRANTY POLICY

## **Users Statement of Warranty**

Each new machine is warranted against defective material or assembly of material under normal usage. The warranty applies to the original purchaser and covers faulty parts and the labour involved in replacing and repairing those parts, which are of original manufacture.

## **Period of Warranty**

### **All Webb & Webb Pro machines plus Sanli engines.**

- a) 2 years from the original date of sale to the first domestic user.
- b) 90 days from the original date of sale to the professional/commercial user.
- c) 90 days from the original date of sale when used for hire.
- d) A reduced warranty period of 90 days applies to those items which are subject to normal wear and tear (e.g. but not limited to wheels, tyres, cutter bars, cylinders, bottom blades, belts, cables, grass bags, spark plugs).
- e) Engines as per the manufacturer's warranty statement which will be supplied with the machine.
- f) 90 days from the original date of purchase for Replacement Spare Parts (unless normal wear & tear component, which are covered for 30 days).
- g) All machines' must be serviced within the first 12 months from the original date of purchase to comply with the warranty, failure to do so will invalidate the 2nd year of the warranty.

### **All Handy, Mowerland and Q-Garden products.**

- a) 1 year from the original date of sale to the first domestic user.
- b) 90 days from the original date of sale to the professional/commercial user.
- c) 90 days from the original date of sale when used for hire.
- d) A reduced warranty period of 90 days applies to those items which are subject to normal wear and tear (e.g. but not limited to wheels, tyres, cutter bars, cylinders, bottom blades, belts, cables, collection bags, spark plugs).
- e) Engines as per the manufacturer's warranty statement which will be supplied with the machine.
- f) 90 days from the original date of purchase for Replacement Spare Parts (unless normal wear & tear component, which are covered for 30 days).

All warranty repairs must be undertaken by an authorised service dealer. These dealers have been accredited by GJ Handy & Co Ltd and agree to only use genuine parts and follow our repair procedures.

# GJ HANDY & CO LTD USER WARRANTY POLICY

## **Not covered by this warranty**

- a) The warranty policy does not cover any depreciation or damages caused by ordinary wear, rusting or corrosion, lack of correct maintenance or operation, misuse, abuse, lack of transportation or accident.
- b) The warranty policy does not cover any costs necessary for the standard periodic maintenance services instructed by the operator's manual, or service parts replacement which would include oil, filters, tyres, belts, brake linings, fuses, blades, seals and other service parts unless it can be proven that the item has evidence of faulty manufacture.
- c) The warranty policy will not cover failure or damage caused as a result of parts or accessories being modified without the written approval of GJ Handy & Co Ltd.
- d) The warranty policy will not cover the unit if non-genuine parts have been fitted and as a result damage has occurred to the unit.
- e) The warranty policy is non-transferable and is only applicable to the original purchaser.

## **Disclaimer**

- a) This warranty is only a remedy for defect of products. GJ Handy & Co Ltd will never warranty in terms of the merchantability or the fitness for a particular purpose.
- b) No person is authorised to make any warranties, representations or promises, expressed or implied, on behalf of GJ Handy & Co Ltd, or to modify the terms conditions or limitation of this warranty policy in any way.
- c) Neither GJ Handy & Co Ltd nor any company affiliated with GJ Handy & Co Ltd shall be liable in any event or manner whatsoever for incidental or consequential damages or injuries, including, but not limited to, loss of crops, loss of profit, out of pocket expenses or profits, rental of substitute equipment or other commercial losses.

## **General**

- a) Most warrantable failures show up within the first few weeks of use. These failures are usually straightforward and warranty assessment is relatively easy.
- b) Failures relating to cutter decks and belts need careful investigation, as the cause may not always be straightforward. Look for damage to blades and pulleys especially when the cutter belt or blade boss have snapped or cracked as this could be due to impact damage.
- c) Customers should always refer to the operator/instruction manual when any disputed problem arises, you will find most areas covered within the manual.



**Customer Service Team**

**Tel: 01793 333212**

**(Mon – Fri 8.00am to 5.30pm excl. Bank Holidays)**

**Email: [customerservice@handydistribution.co.uk](mailto:customerservice@handydistribution.co.uk)**