

SCH

(SUPPLIES) LIMITED

Manufacturers & Suppliers of Estate & Garden Machinery
TELEPHONE 01473 328272 • FAX 01473 327177
www.schsupplies.co.uk

OPERATING INSTRUCTIONS

MUST BE READ PRIOR TO OPERATING THIS MACHINE



D' Turf Care System (1500mm)

SAFETY INSTRUCTIONS

- Never leave the system where someone could trip or walk into it.
- Always make sure that the system is firmly fixed to the towing vehicle when in use.
- Never allow people to ride on the frame.
- Be aware of your surroundings and do not use the system in close proximity to other people.
- Do not travel at speeds which would allow the unit to bounce.
- Never reverse the unit with the tines in contact with the ground.
- Always protect the unit from frost.
- Store safely in a secure position.
- The frame and attachments are of a heavy construction, care must be taken when moving the units manually.
- When dismantling the frame always leave it on level ground.
- Please note when the unit is in the 'up' position the tractor's steering may be 'light'.
- It is advisable to wear gloves when handling the attachments.
- Do not turn with the following units in the ground.
 - Aerator – DAM
 - Slitter – DSM
 - Slitter with replaceable tines – DSM2
 - Hollow Tine Corer - DHTC
 - Sorrel Roller – DSR
 - Dethatching Rake - DDTC

If in doubt, please call the SCH customer help line at **01473 32827**

MOUNTED FRAME – DMF

The Frame has category 1 three-point linkage tractor mounting as standard. A weight tray is incorporated in the design, which gives the facility to add top-weight to gain required penetration. This tray is also extremely useful for the transportation of tools etc. For safety purposes, a rear mesh guard cover is fitted.



The floating roller will push back any plucked divots without closing the penetrations; the roller can be lifted out of work if required. An adjustable scraper bar is fitted to the rear of the roller.

The system gives all the benefits of aeration and slitting, allowing air into roots, to assist drainage and slow down the build-up of thatch. Ideal for use on paddocks, golf courses, football pitches, race tracks etc.

Overall Width	1780mm (70")
Working Width	1500mm (63")
Weight c/w Attachment	218kg

MAINTENANCE

- Check periodically that the linkage pins on the frame are tight.
- Wash down the unit & attachments after use.

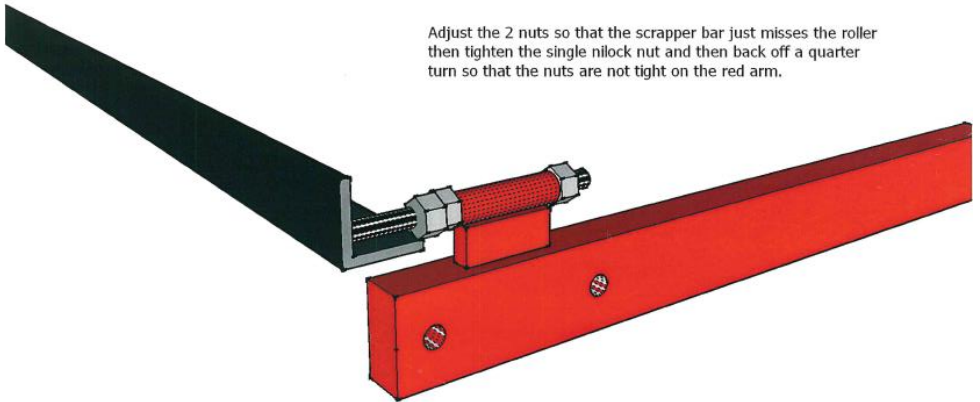
Twice a year service –

- The running bearing, these are 'sealed' and should only be greased twice a year.
- The roller bearings, are 'sealed' and should only be greased twice a year.
- Power grease guns should not be used.

TO FIT SCRAPER BAR

Important
How to fit scrapper bar to DMF roller

Adjust the 2 nuts so that the scrapper bar just misses the roller
then tighten the single nlock nut and then back off a quarter
turn so that the nuts are not tight on the red arm.



ASSEMBLY 1 – DAM, DSM, DSM2, DHTC & DSR

The correct orientation is for the turning curve to point towards the ground.

1. Lift the frame over the attachment.
2. Lower the frame over the attachment.
3. Manually manoeuvre the attachment to allow the bearing holding bolt to be fitted.
4. Secure the nuts and bolts.

When using the DHTC the rear roller must be removed, however the DHTC can be used in conjunction with the DDTC.

IMPORTANT

- Designed to operate on grassed surfaces only.
- The turf must be sufficiently moist to allow the tines to penetrate the ground.
- Do not attempt to slit or aerate when the ground conditions are too hard to allow penetration
- Weight can be added to aid depth penetration
- Always work in straight lines.
- Never reverse with the spikes in contact with the ground.
- Never attempt to turn corners with the spikes in contact with the ground.
- Take care not to over ballast.
- Never exceed a speed that allows the unit to bounce.
- A scraper bar is fitted to the rear roller to remove surplus mud which may become attached to the roller. An adjuster fitting allows the scraper bar to be adjusted to give a satisfactory scraping gap.

AERATOR ATTACHMENT – DAM

The Aerator is an ideal tool for Autumn use breaking down the surface pan of grassed areas, improving drainage and allowing air penetration to the roots. Nine heavy-duty aeration discs on 50mm stainless steel axle c/w bearings, easily bolts onto the carrying frame. The discs will penetrate up to 180mm (7") in suitable conditions.



SLITTER ATTACHMENT – DSM

The Slitter is an ideal tool to improve drainage and root growth to grassed areas, especially in late spring and wet summers. Well drained grassed areas will help towards the prevention of moss. Nine heavy duty slitter 'stars' on a 50mm stainless steel axle c/w bearing easily bolts to the carrying frame. Up to 125mm (5") can be achieved in suitable conditions; extra weight may be added if required.



SLITTER WITH REPLACEABLE TINES ATTACHMENT – DSM2

The fine turf slitter is equipped with slender hardened blades with knife edges. This gives a clean penetration into the soil leaving the surface free from any turf tearing or plucking.

The blades when requiring replacement can have new ones bolted on.



HOLLOW TINE CORER – DHTC

The revolving discs fitted with hollow spoon tines delve into the turf surface to remove, on average, a 75mm (3") core. Removing cores from turfed areas allows air and water to have direct access to the root system; if lawn sand is applied the core holes will fill with sand to give the maximum advantage to the root system.

The rear roller must be removed when using the DHTC.



SORREL ROLLER ATTACHMENT – DSR

The sorrel roller is an excellent tool for spiking the surface of fine turf prior to reseeding.



DETHATCHING RAKE ATTACHMENT – DDTC

The dethatcher attachment fits onto the rear of the multi-tool frame. The two rows of heavy-duty spring tines draw through the surface to remove all unwanted thatch and dead grass to promote new and healthy growth.



WARRANTY

Your 60" system is guaranteed for 12 months from the date of purchase. This guarantee covers faults which may occur from defective parts or manufacture.

SCH Supplies accept no responsibility for damage caused to property/land due to incorrect use of this product.

Damage caused by inability to follow instructions will void warranty.



If you are missing your free brochure contact us on **01473 328272**, email **sales@schsupplies.co.uk**, or visit our website **www.schsupplies.co.uk**

