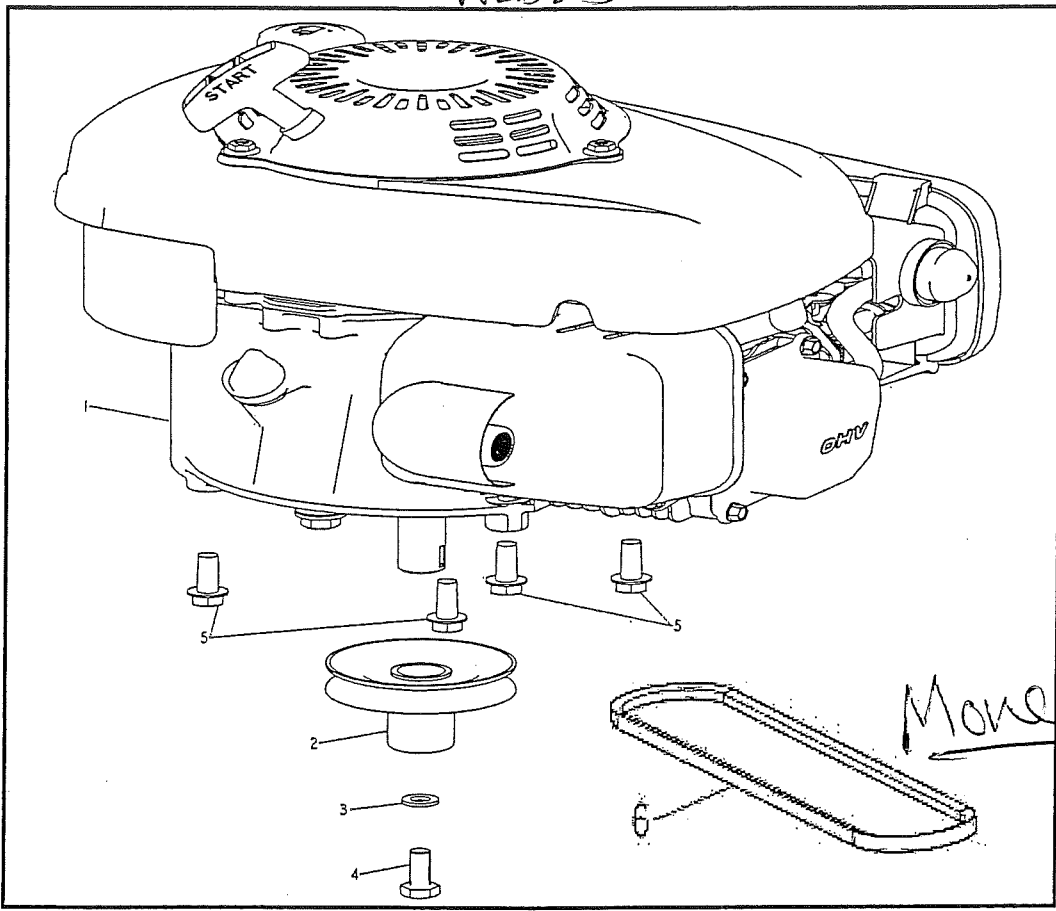


~~HWLT~~
HWTL

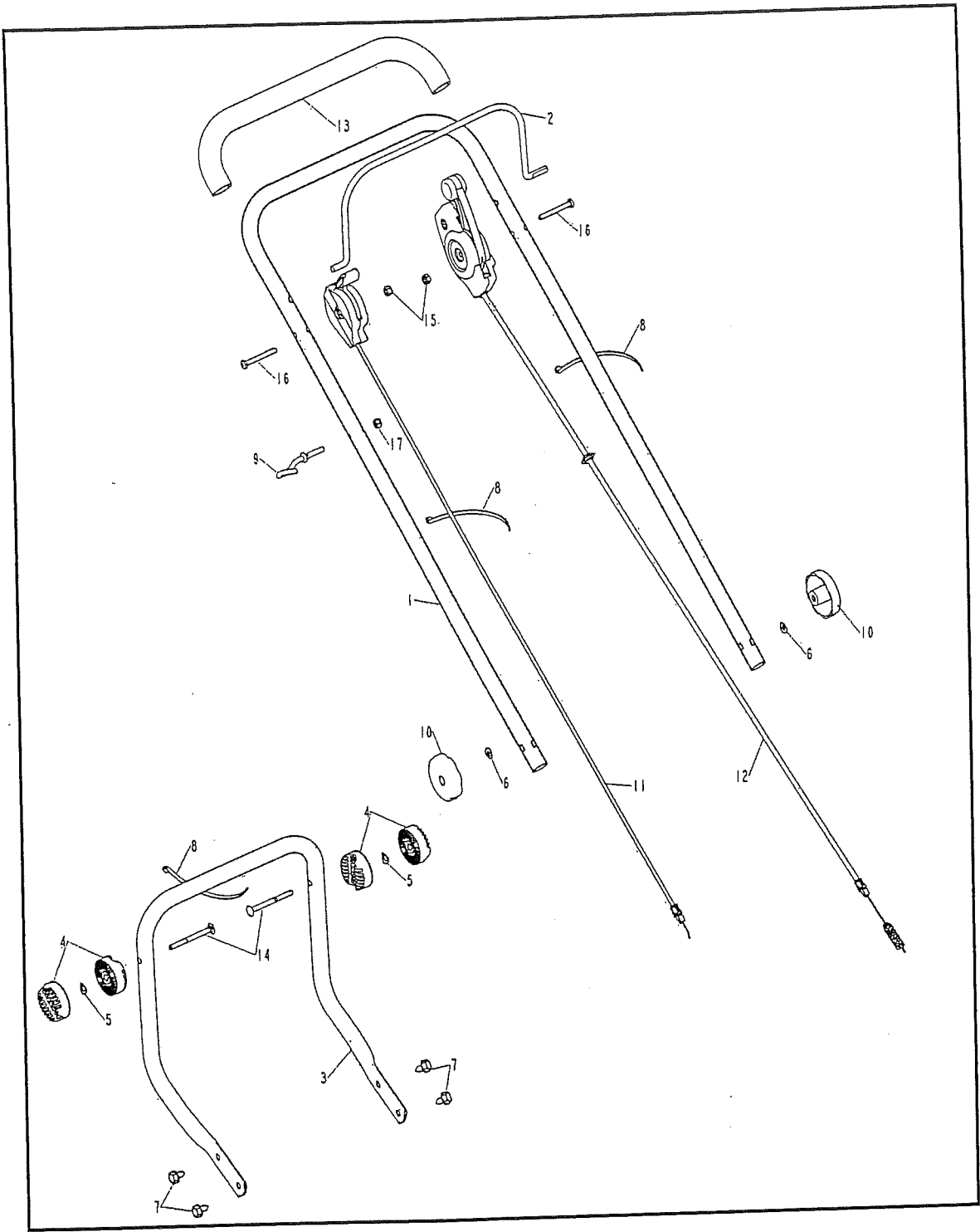
Tonder,
T32013010105679,
LC1P65FA

WE023

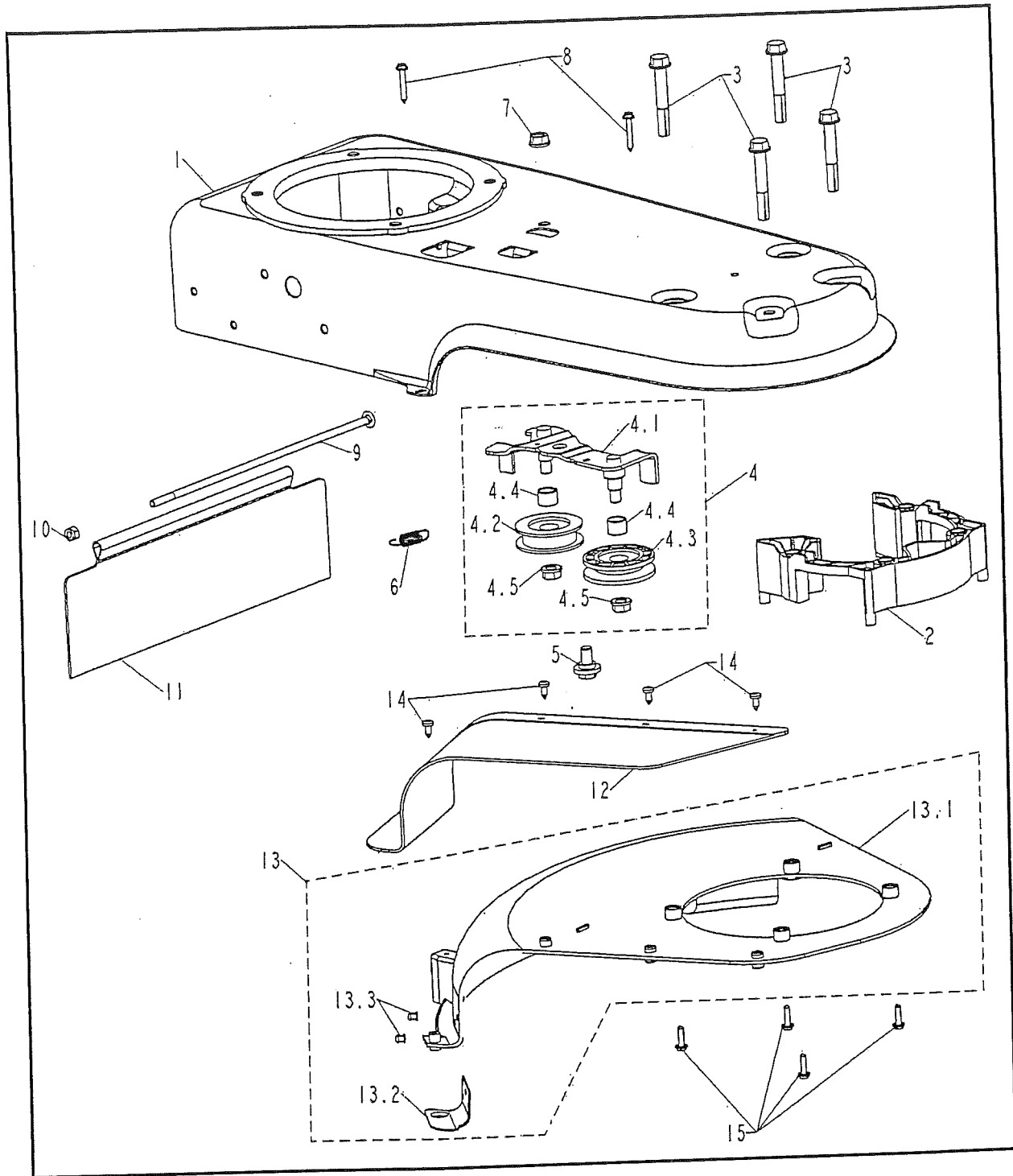


A

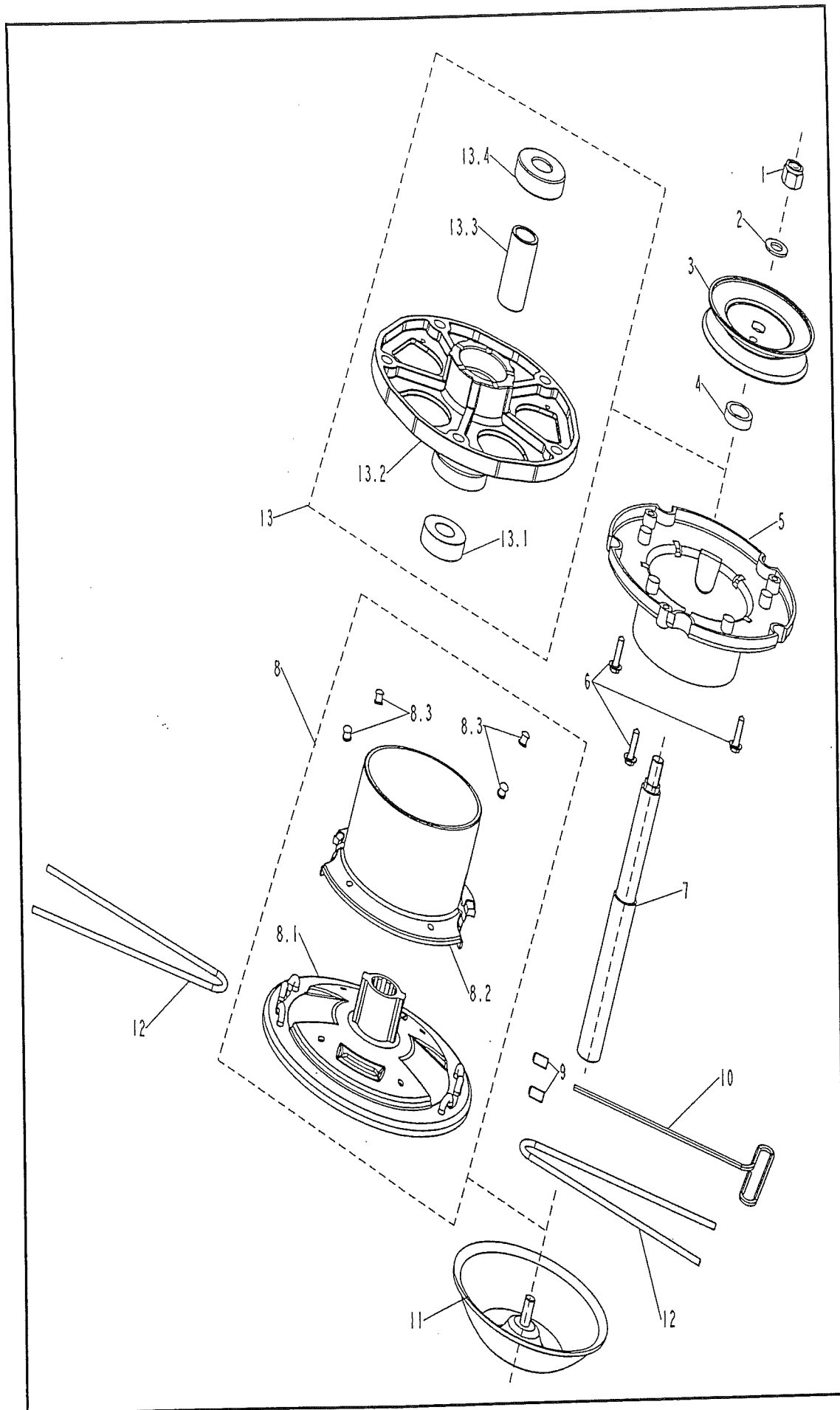
Engine Top-Level Ass'y	1	ZJ1P64FJV	EG64L201CA	Engine Sub-Level Ass'y	1	FOR REFERENCE ONLY
Engine Top-Level Ass'y	2	XB51Y.01.01	464040010802	Pulley, Engine	1	2.76
Engine Top-Level Ass'y	3	GB/T93	B07000010006	Lock Washer, $\Phi 10$	1	0.01
Engine Top-Level Ass'y	4	QJ1P64FJV-3.5-6	15000002K16F000	Bolt, Hex Head 3/8-24x1.0	1	0.08
Engine Top-Level Ass'y	5	QJ1P64FJV-3.17.5-6B	19500006K16F100	Screw, Engine, 3/8-16x1.0	4	0.15
Unit Top-Level Ass'y	6	XB51Y.01-01	464041270000	Belt, Trimmer	1	4.53



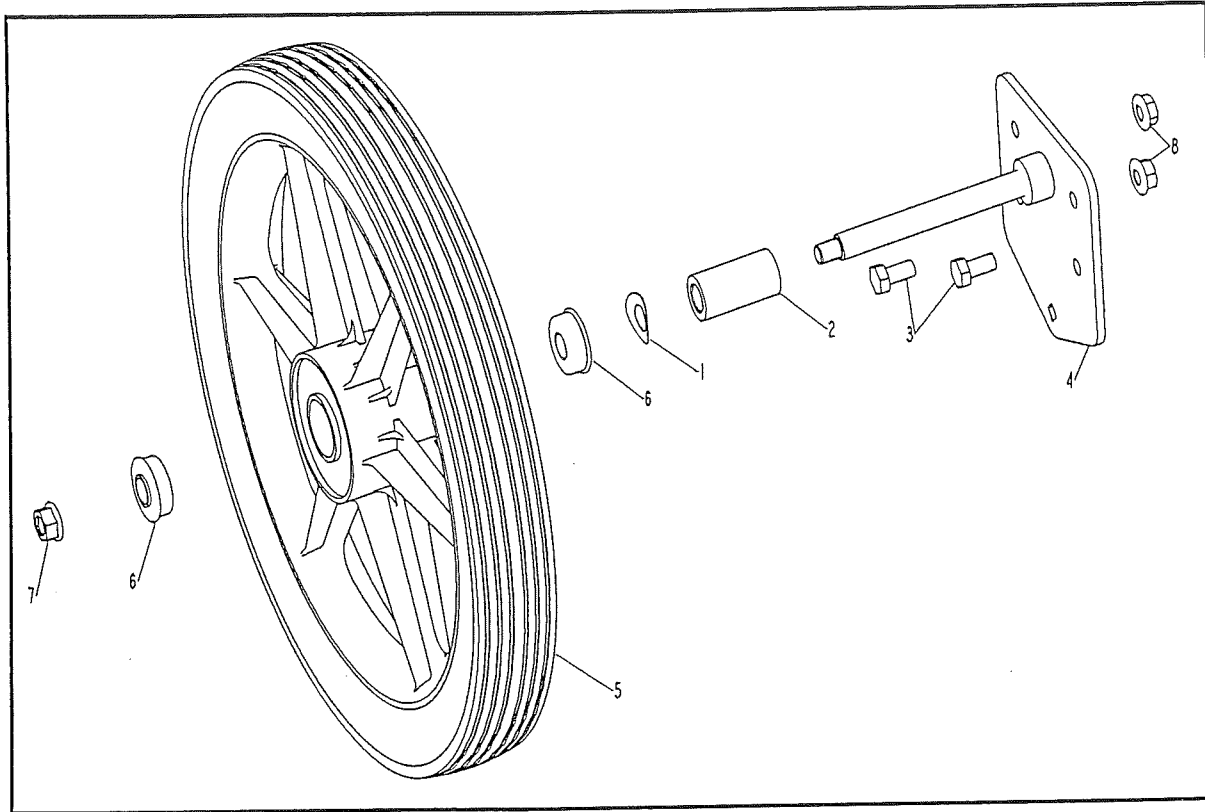
Handle Ass'y	1	XB51Y.02-01	464041170000	Upper Handle	1	3.52
Handle Ass'y	2	XB51Y.02-02	464042250000	Lever, Stop	1	0.51
Handle Ass'y	3	XB51Y.02-03	464041170100	Lower Handle	1	2.43
Handle Ass'y	4	XB51Y.02-04	464042190008	Pivot, Handle	4	0.65
Handle Ass'y	5	XB51Y.02-05	464040160006	Washer, Spring	2	0.01
Handle Ass'y	6	XB51Y.02-06	464040070006	Washer	2	0.06
Handle Ass'y	7	XB51Y.02-07	464040080106	Screw, 5/16-18x.62 HHWA TAP	4	0.06
Handle Ass'y	8	XB51Y.02-08	464040190000	Tie, Cable	3	0.02
Handle Ass'y	9	XB51Y.02-09	464042340005	Guide, Rope	1	0.28
Handle Ass'y	10	XB51Y.02.01	464040010900	Knob, Handle	2	0.26
Handle Ass'y	11	XB51Y.02.02	464040011000	Control, Throttle	1	1.54
Handle Ass'y	12	XB51Y.02.03	464040011200	Cable, Control Latching	1	3.08
Handle Ass'y	13	XSZ48B.2-8	454001220000	Tubing, Foam	1	0.26
Handle Ass'y	14	GB/T14	B01050808500	Bolt, Carriage M8x85	2	0.10
Handle Ass'y	15	GB/T6182	B04340600007	Nut, Nylon Lock M6	2	0.02
Handle Ass'y	16	GB/T818	B02210605007	Screw, PHPN M6x50	2	0.06
Handle Ass'y	17	XSSL46A-03-29	210020081400	Nut, 1/4-20	1	0.05



Frame Ass'y	1	XB51Y.04-01	464042350000	Frame, Trimmer	1	17.84
Frame Ass'y	2	XB51Y.04.01	464040011700	Spacer, Drive Belt	1	2.66
Frame Ass'y	3	XB51Y.04-02	464040080206	Screw, 3/8-16x2.5 HXWATAP	4	0.20
Frame Ass'y	4	XB51Y.04.02	464040011800	Bracket, Idler Ass'y	1	3.71
Frame Ass'y	4.1	XB51Y.04.02.01	464040011902	Bracket, Idler	1	1.40
Frame Ass'y	4.2	XB51Y.04.02.02	464040012000	Pulley, Idler	1	0.97
Frame Ass'y	4.3	XB51Y.04.02.03	464040012100	"V" Pulley	1	1.04
Frame Ass'y	4.4	XB51Y.04.02-01	464040280300	Spacer	2	0.05
Frame Ass'y	4.5	GB/T6187	B04411000006	Lock Nut, M10	2	0.10
Frame Ass'y	5	XB51Y.04-03	464040080402	Bolt, HHSH	1	0.19
Frame Ass'y	6	XB51Y.04-04	464040050100	Spring, Extension	1	0.10
Frame Ass'y	7	GB/T6187	B04411000006	Lock Nut, M10	1	0.10
Frame Ass'y	8	XB51Y.04-08	464040080502	Screw, #10-16x1.25	2	0.03
Frame Ass'y	9	GB/T14	B01050628300	Bolt, Carriage, M6x283	1	0.17
Frame Ass'y	10	GB/T6182	B04340600007	Nut, Nylon Lock M6	1	0.02
Frame Ass'y	11	XB51Y.04-05	464042380080	Shield, Trailing	1	1.07
Frame Ass'y	12	XB51Y.04-06	464042380100	Flap, Depris	1	1.32
Frame Ass'y	13	XB51Y.04.03	464040012200	Shield Ass'y	1	3.78
Frame Ass'y	13.1	XB51Y.04.03-01	464049980180	Shield, Trimmer	1	3.59
Frame Ass'y	13.2	XB51Y.04.03-02	464042080002	Blade	1	0.18
Frame Ass'y	13.3	GB/T12618-1990	B10270501100	Rivet	2	0.01
Frame Ass'y	14	GB/T16824.1	B05194801207	Screw, ST4.8x12	4	0.01
Frame Ass'y	15	XB51Y.04-09	464040080602	Screw, #10-16x.75	4	0.03



Cutting Head Ass'y	1	GB/T6182	B04341010006	Nut, M10x1.25	1	0.05
Cutting Head Ass'y	2	GB/T95	B07010010006	Washer, Flat Φ 10	1	0.01
Cutting Head Ass'y	3	XB51Y.05-02	464041280102	Pulley, Cutting Head	1	1.20
Cutting Head Ass'y	4	XB51Y.05-03	464049860000	Spacer	1	0.05
Cutting Head Ass'y	5	XB51Y.05-04	464049980200	Wrap Weed, Upper BLK	1	0.95
Cutting Head Ass'y	6	XB51Y.04-09	464040080602	Screw, #10-16x.75	3	0.03
Cutting Head Ass'y	7	XB51Y.05-01	464040830006	Shaft, Cutting Head	1	1.43
Cutting Head Ass'y	8	XB51Y.05.03A	464040012800	Cutter Head & Wrap Ass'y	1	3.52
Cutting Head Ass'y	8.1	XB51Y.05.03	464040012500	Cutter Head	1	2.50
Cutting Head Ass'y	8.2	XB51Y.05-06	464049980400	Wrap Weed, Lower BLK	1	1.02
Cutting Head Ass'y	8.3	GB/T12618-1990	B10270501100	Rivet	4	0.01
Cutting Head Ass'y	9	XB51Y.05-07	464040080806	Screw, M6x12	2	0.11
Cutting Head Ass'y	10	XB51Y.07.01-01	464049900100	Wrench, T-Handle	1	0.10
Cutting Head Ass'y	11	XB51Y.05.02	464040012400	Guide, Height	1	1.05
Cutting Head Ass'y	12	XB51Y.05-05	464049980300	Line, Trimmer	1	0.18
Cutting Head Ass'y	12	XB51Y.05-05-A	464049980300A	Line Roll (30m)	1	3.30
Cutting Head Ass'y	13	XB51Y.05.01	464040012300	Jackshaft Housing Ass'y	1	8.74
Cutting Head Ass'y	13.1	XB51Y.05-09	B12605021453	Bearing, 99502	1	0.71
Cutting Head Ass'y	13.2	XB51Y.05.01-01	464040370200	Housing, Jackshaft	1	7.02
Cutting Head Ass'y	13.3	XB51Y.05.01-02	464040280400	Spacer	1	0.24
Cutting Head Ass'y	13.4	XB51Y.05-08	464040140100	Bearing, 6203- 2DLRS-5/8	1	0.76



Wheel Ass'y	1	XB51Y.03-02	464040160106	Washer, Spring	1	0.03
Wheel Ass'y	2	XB51Y.03-01	464040280002	Spacer	1	0.25
Wheel Ass'y	3	GB/T5783	B01270801606	Bolt, Hex Head M8x16	2	0.04
Wheel Ass'y	4	XB51Y.03.01	464040011402	Axle & Bracket	1	1.83
Wheel Ass'y	5	XB51Y.03.02.01	464040011600	Wheel & Tire	1	6.09
Wheel Ass'y	6	XB51Y.03.02-01	464040140002	Bearing	2	0.73
Wheel Ass'y	7	GB/T6187	B04411000006	Lock Nut, M10	1	0.10
Wheel Ass'y	8	GB/T6177	B04280800006	Nut, M8	2	0.02