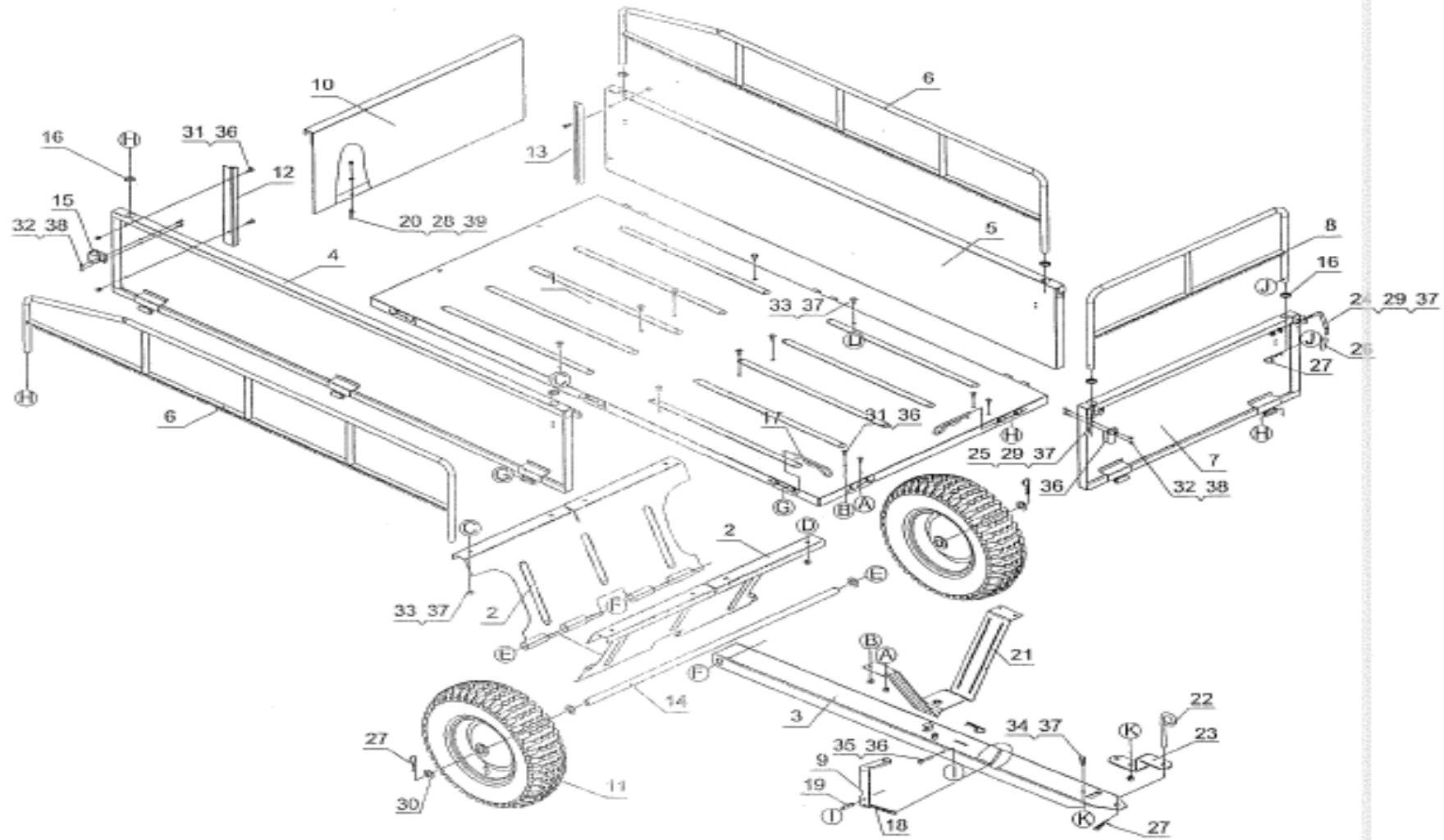


TONDU TSC1200 TRAILER PARTS LIST



| Item | Description | Pt.No Black | Pt.No New (Grey) | Qty | RRP (£ ex.VAT) |
|------|-------------------------------|-------------|------------------|-----|-------------------|
| 1 | BOTTOM PANEL | TSC12001BLK | TSC12001N | 1 | 115.50 |
| 2 | WHEEL AXLE SUPPORT | TSC12002BLK | TSC12002N | 2 | 6.60 |
| 3 | HITCH TONGUE | TSC12003BLK | TSC12003N | 1 | 26.40 |
| 4 | LEFT SIDE PANEL | TSC12004BLK | TSC12004N | 1 | 66.00 |
| 5 | RIGHT SIDE PANEL | TSC12005BLK | TSC12005N | 1 | 66.00 |
| 6 | SIDE RAIL | TSC12006BLK | TSC12006N | 2 | 13.16 |
| 7 | FRONT PANEL | TSC12007BLK | TSC12007N | 1 | 6.60 |
| 8 | FRONT RAIL | TSC12008BLK | TSC12008N | 1 | 6.60 |
| 9 | RELEASE PEDAL | TSC12009BLK | TSC12009N | 1 | 6.60 |
| 10 | REAR PANEL | TSC12010BLK | TSC12010N | 1 | 52.80 |
| 11 | WHEEL ASSY | TSC12011BLK | TSC12011N | 2 | 46.20 |
| 12 | LEFT CARD SLOT OF REAR PANEL | TSC12012BLK | TSC12012N | 2 | 6.60 |
| 13 | RIGHT CARD SLOT OF REAR PANEL | TSC12013BLK | TSC12013N | 2 | 6.60 |
| 14 | WHEEL AXLE | TSC12014BLK | TSC12014N | 1 | 33.00 |
| 15 | RAIL CLAMP | TSC12015BLK | TSC12015N | 6 | 3.30 |
| 16 | PROTECTION RING | TSC12016BLK | TSC12016N | 6 | 6.60 |
| 17 | HINGE PIN | TSC12017BLK | TSC12017N | 8 | 0.90 |
| 18 | LATCH SPRING | TSC12018BLK | TSC12018N | 1 | 0.90 |
| 19 | SPACER | TSC12019BLK | TSC12019N | 2 | POA |
| 20 | PIN | TSC12020BLK | TSC12020N | 2 | 1.66 |
| 21 | TONGUE SUPPORT | TSC12021BLK | TSC12021N | 1 | 6.60 |
| 22 | HITCH PIN | TSC12022BLK | TSC12022N | 1 | 0.90 |
| 23 | HITCH PIN BRACKET | TSC12023BLK | TSC12023N | 1 | 6.60 |
| 24 | HANDLE A | TSC12024BLK | TSC12024N | 1 | 33.00 |
| 25 | HANDLE B | TSC12025BLK | TSC12025N | 1 | 33.00 |
| 26 | HANDLE SLEEVE | TSC12026BLK | TSC12026N | 2 | POA |
| 27 | R PIN | TSC12027BLK | TSC12027N | 5 | POA |
| 28 | FLAT WASHER | TSC12028BLK | TSC12028N | 2 | POA |
| 29 | FLAT WASHER | TSC12029BLK | TSC12029N | 2 | POA |
| 30 | FLAT WASHER | TSC12030BLK | TSC12030N | 4 | POA |
| 31 | SCREW M6 X 16 | TSC12031BLK | TSC12031N | 8 | POA |
| 32 | SCREW M4 X 16 | TSC12032BLK | TSC12032N | 12 | POA |
| 33 | SCREW M8 X 16 | TSC12033BLK | TSC12033N | 8 | POA |
| 34 | HEX BOLT M8 X 20 | TSC12034BLK | TSC12034N | 1 | POA |
| 35 | HEX BOLT M6 X 95 | TSC12035BLK | TSC12035N | 1 | POA |
| 36 | NYLON LOCK NUT M6 | TSC12036BLK | TSC12036N | 9 | POA |
| 37 | NYLON LOCK NUT M8 | TSC12037BLK | TSC12037N | 11 | POA |
| 38 | NYLON LOCK NUT M4 | TSC12038BLK | TSC12038N | 12 | POA |
| 39 | HEX NUT M6 | TSC12039BLK | TSC12039N | 2 | POA |
| 40 | CONNECTING PLATE | TSC12040BLK | TSC12040N | 1 | 8.90 |