

**WEIBANG<sup>®</sup>**

# **iON 81 RC E-RIDER**

Rechargeable Ride on Lawnmower

WB81EC-B



# Owner's manual

Original Instructions

Dear Owner:

Thank you for purchasing this battery powered ride-on Lawnmower.

This environmentally friendly mower allows you to mow quietly and efficiently. The powerful 72v lithium battery and 32 inch cutting deck will make cutting your lawn a breeze.

Differential steering makes turning easy, while controllable motors allow precise mowing control. The wide turf tyres give excellent traction, and the cutting height can be adjusted.

Please carefully read this Owner's Manual which will explain how to operate and maintain your machine properly.

Be sure that you and any other user carefully follow the recommended safety practices at all times. Failure to do so could result in personal injury or property damage. If you have any questions regarding the operation or maintenance of this machine, or desire information not found in this Owner's Manual, please contact your local Weibang Dealer. If you need help locating a dealer, please contact Weibang Customer Service, or visit [www.weibang.co.uk](http://www.weibang.co.uk).



### Safety Alert Symbol

This is a safety alert symbol. It is used in this Owner's Manual to alert you to potential hazards. Whenever you see this symbol, read and obey the safety message that follows it. Failure to obey the safety message could result in personal injury or property damage.



**WARNING!** This machine is a 72V electric working unit which produces an electromagnetic field during operation. This field may under some circumstances interfere with active or passive medical implants. To reduce the risk of serious or fatal injury, we recommend persons with medical implants to consult their doctor and the medical implant manufacturer before operating this machine.

### Owner's Record

Please write the Model Number and Serial Number of your machine in the spaces provided. These numbers are printed on a name plate that is attached to the side of the mower deck.

MODEL NUMBER: \_\_\_\_\_

SERIAL NUMBER: \_\_\_\_\_

DEALER NAME: \_\_\_\_\_

DEALER ADDRESS: \_\_\_\_\_

DEALER PHONE: \_\_\_\_\_

DATE PURCHASED: \_\_\_\_\_

### Table of Contents

<b>SECTION 1: SAFETY REGULATIONS</b>	<b>4</b>
General Operation	7
Slope Operation	8
Children	8
General instructions for working	9
Customer responsibilities	10
<b>SECTION 2: FEATURES AND CONTROLS</b>	<b>12</b>
<b>SECTION 3: SET UP</b>	<b>13</b>
Recharging new machine	13
<b>SECTION 4: OPERATING CONTROLS</b>	<b>13</b>
Switches and Buttons	13
Central information screen	14
Using Parking Brake	14
Using Key Switch	14
Using CCS	15
Mowing in reverse	15
Recharging the mower	15
Adjusting cutting height	16
Adjusting seat	17
<b>SECTION 5: OPERATING RIDE-ON MOWER</b>	<b>17</b>
Operating	17
Mowing Tips	18
Discharging grass clippings	19
Mulching	19
<b>SECTION 6: MAINTENANCE AND SERVICING</b>	<b>20</b>
Tyres	20
Blade and Deck	20
Cleaning	21
Blade care	22
Battery Care	22
<b>SECTION 7: STORAGE</b>	<b>23</b>
Ride on Mower	23
Other	23
<b>SECTION 8: TROUBLESHOOTING</b>	<b>24</b>
<b>SECTION 9: WARRANTY</b>	<b>25</b>



**DO NOT** operate this equipment until you have read and understood all the enclosed Operator's Manual.

**READ ALL** the sections in this manual PRIOR to attempting to service, maintain or operate this equipment!



# **Important:**

## **Read and observe all safety instructions and warnings!**

It is very important to review the Owner's Manual prior to initial operation of this machine. Make sure to use extreme caution and always adhere to the safety instructions. If used incorrectly, all products can be a source of potential danger to the user, onlookers, animals, or nearby objects. Non-compliance could result in death or serious injury.

Always use original spare parts with the logo "WEIBANG" to ensure maximum performance, reliability and service life from your Weibang machine.

For spare parts - please contact:

**[www.weibang.co.uk](http://www.weibang.co.uk)**

### **Owner's Responsibilities**

To preserve your rights under this Limited Warranty, you must demonstrate reasonable care and use of the product, including following the preventative maintenance and storage as prescribed in this Owner's Manual. For example, the following items are the owner's responsibility and are **not** covered by this Limited Warranty:

- a. Set-up and pre-delivery service and any adjustments.
- b. Adjustments after the first thirty (30) days of purchase.
- c. Preventative maintenance as outlined in the Owner's Manual. In addition, you must cease using the product immediately upon any failure or damage. The product should be taken to an authorised Weibang® service provider prior to any further use.

# General battery mower safety warnings

**WARNING** Read all safety warnings, instructions, illustrations and specifications provided with this battery mower. Failure to follow all instructions listed below may result in electric shock, fire and/or serious injury.

**Save all warnings and instructions for future reference.**

The term “power tool” in the warnings refers to your mains-operated (corded) power tool or battery operated (cordless) power tool.

## 1) Work area safety

- a) **Keep work area clean and well lit.** Cluttered or dark areas invite accidents.
- b) **Do not operate power tools in explosive atmospheres, such as in the presence of flammable liquids, gases or dust.** Power tools create sparks which may ignite the dust or fumes.
- c) **Keep children and bystanders away while operating a power tool.** Distractions can cause you to lose control.

## 2) Electrical safety

- a) **Power tool plugs must match the outlet. Never modify the plug in any way. Do not use any adapter plugs with earthed (grounded) power tools.** Unmodified plugs and matching outlets will reduce the risk of electric shock.
- b) **Do not expose charger to rain or wet conditions.** Water entering a charger will increase the risk of electric shock.
- c) **It is recommended to operate a charger using a residual current device (RCD) protected supply.** Use of an RCD reduces the risk of electric shock.

## 3) Personal safety

- a) **Stay alert, watch what you are doing and use common sense when operating a power tool. Do not use a power tool while you are tired or under the influence of drugs, alcohol or medication.** A moment of inattention while operating power tools may result in serious personal injury.
- b) **Use personal protective equipment. Always wear eye protection.** Protective equipment such as a dust mask, non-skid safety shoes, hard hat or hearing protection used for appropriate conditions will reduce personal injuries.
- c) **Prevent unintentional starting. Ensure the switch is in the off-position before connecting to a power source and/or battery pack.** Energising power tools that have the switch on invites accidents.
- d) **Remove any adjusting key or wrench before turning the power tool on.** A wrench or a key left attached to a rotating part of the power tool may result in personal injury.
- e) **Do not overreach. Keep proper footing and balance at all times.** This enables better control of the power tool in unexpected situations.
- f) **Dress properly. Do not wear loose clothing or jewellery. Keep your hair and clothing away from moving parts.** Loose clothes, jewellery or long hair can be caught in moving parts.
- g) **If devices are provided for the connection of collection facilities, ensure these are connected and properly used.**
- h) **Do not let familiarity gained from frequent use of tools allow you to become complacent and ignore tool safety principles.** A careless action can cause severe injury within a fraction of a second.

## 4) Power tool use and care

- a) **Do not overload the power tool. Use the correct power tool for your application.** The correct power tool will do the job better and safer at the rate for which it was designed.

- b) **Do not use the power tool if the switch does not turn it on and off.** Any power tool that cannot be controlled with the switch is dangerous and must be repaired.
- c) **Disconnect the plug from the power source and remove the key from the power tool before making any adjustments, changing accessories, or storing power tools.** Such preventive safety measures reduce the risk of starting the power tool accidentally.
- d) **Store idle power tools out of the reach of children and do not allow persons unfamiliar with the power tool or these instructions to operate the power tool.** Power tools are dangerous in the hands of untrained users.
- e) **Maintain power tools and accessories. Check for misalignment or binding of moving parts, breakage of parts and any other condition that may affect the power tool's operation. If damaged, have the power tool repaired before use.** Many accidents are caused by poorly maintained power tools.
- f) **Keep cutting tools sharp and clean.** Properly maintained cutting tools with sharp cutting edges are less likely to bind and are easier to control.
- g) **Use the power tool accessories in accordance with these instructions, taking into account the working conditions and the work to be performed.** Use of the power tool for operations different from those intended could result in a hazardous situation.
- h) **Keep handles and grasping surfaces dry, clean and free from oil and grease.** Slippery handles and grasping surfaces do not allow for safe handling and control of the tool in unexpected situations.

#### 5) Battery tool use and care

- a) **Recharge only with the charger specified by the manufacturer.** A charger that is suitable for one type of battery pack may create a risk of fire when used with another battery pack.
- b) **Use power tools only with specifically designated battery packs.** Use of any other battery packs may create a risk of injury and fire.
- c) **When the battery pack is not in use, keep it away from other metal objects, like paperclips, coins, keys, nails, screws or other small metal objects, that can make a connection from one terminal to another.** Shorting the battery terminals together may cause burns or a fire.
- d) **Under abusive conditions, liquid may be ejected from the battery; avoid contact. If contact accidentally occurs, flush with water. If liquid contacts eyes, seek additional medical help.** Liquid ejected from the battery may cause irritation or burns.
- e) **Do not use a battery pack or tool that is damaged or modified.** Damaged or modified batteries may exhibit unpredictable behaviour resulting in fire, explosion or risk of injury.
- f) **Do not expose a battery pack or tool to fire or excessive temperature.** Exposure to fire or temperature above 130 °C may cause explosion.
- g) **Follow all charging instructions and do not charge the battery pack or tool outside the temperature range specified in the instructions.** Charging improperly or at temperatures outside the specified range may damage the battery and increase the risk of fire.

#### 6) Service

- a) **Have your power tool serviced by a qualified repair person using only identical replacement parts.** This will ensure that the safety of the power tool is maintained.
- b) **Never service damaged battery packs.** Service of battery packs should only be performed by the manufacturer or authorised service providers.

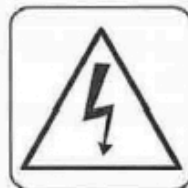
## Explanation of symbols on the lawn mower



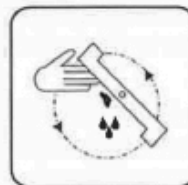
General hazard safety alert.



Read instruction manual.



Beware electric shock hazard.  
Keep supply flexible cord  
away from cutting means.



Wait until all machine components  
have completely stopped before  
touching them. The blades continue  
to rotate after the machine is  
switched off, a rotating blade can  
cause injury.



Never carry passengers.



Do not use this machine on slopes  
greater than 12°.



Do not apply water

Do not mow in the rain or leave the lawnmower  
outdoors whilst it is raining.



Never work around a lawnmower while the motor is  
running. Use extreme caution when reversing.



Beware of thrown or flying  
objects to bystanders.



Keep bystanders away from  
the machine.



Keep hands and feet away from the blades



Switch off and stop whole machine  
before maintenance.



Wear eye and ear protection.



Keep hands and feet away.



Waste electrical products should not  
be disposed of with household waste.  
Please recycle where facilities exist.  
Check with your local authority or  
retailer for recycling details



Charging interface



Do not clean the underside by  
using a garden hose.

# I. General Operation



**WARNING: This appliance is not intended for use by persons (including children) with reduced physical, sensory or mental capabilities, or lack of experience and knowledge, unless they have been given supervision or instruction concerning use of the appliance by a person responsible for their safety. Children should be supervised to ensure that they do not play with the appliance.**

- Before starting to use this machine, read, understand and follow all instructions that are provided in this manual. Be thoroughly familiar with the controls and the proper use of the machine before starting operations.



**WARNING: Do not put your hands or feet near or under rotating parts. Keep clear of the discharge opening at all times.**

- This machine may only be operated by responsible persons, who are familiar with the operating instructions. Never allow children or people unfamiliar with these instructions to use the lawnmower. Local regulations can restrict the age of the operator.
- To prevent injury, be sure that there are no persons in the immediate area where you are mowing. If any person enters this area, stop the machine by releasing the Accelerator Pedal. Never mow while people, especially children, or pets are nearby.
- Keep in mind that the operator or user is responsible for accidents or hazards occurring to other people or their property.
- Switch off and remove the key from the Control Panel before adjusting, cleaning or if the cable is entangled, and before leaving the lawnmower unattended for any period.
- Thoroughly inspect the area where the equipment is to be used and remove all objects such as rocks, toys, wire, bones, sticks and any other items, which can be thrown by the machine through the discharge opening.
- Always look down and behind you before and while driving backwards.
- Before operating the mower, make sure that all protective screens, and other protective devices are properly installed. Never operate the lawnmower with defective guards, or without safety devices, for example deflectors in place.
- Observe the instructions of the manufacturer, for proper operation and installation of accessories. Only those accessories that have been approved by the manufacturer may be used.
- Make sure that the blades of the mower are not rotating before crossing gravel drives, walkways or roads.
- Switch off the motor and wait until the blades come to a complete stop before removing the mulch plug, grass box or optional rear deflector.
- Mowing should only be done during daylight or under good artificial lighting.
- Do not operate the machine while under the influence of alcohol or drugs.
- Be careful when operating the mower on wet grass.
- Before switching on the motor, disengage all blade and self-propelling mechanisms or drive clutch.
- If the mower should start to vibrate abnormally, stop the motor and check immediately for the cause. Vibration is generally a warning of trouble.
- Keep hands and feet away from the mower deck.
- Worn parts should be referred to a Weibang dealer to be replaced. If necessary, contact the specified service address.
- Before using the machine, inspect the machine visually to determine whether the cutting blades, fastening bolts and the entire mower deck are worn or damaged. To avoid an imbalance, replace worn out or damaged cutting blades.



**WARNING!** This machine produces an electromagnetic field during operation. This field may under some circumstances interfere with active or passive medical implants. To reduce the risk of serious or fatal injury, we recommend persons with medical implants to consult their doctor and the medical implant manufacturer before operating this machine.



**Do not use this machine in lightning.**

Children should be supervised to ensure that they do not play with the appliance.



**CAUTION- do not touch rotating blades.**

## II. SLOPE OPERATION

### Mowing on banks can be dangerous:

• Slopes are a major factor related to slip and fall accidents, which can result in severe injury. All slopes require extra caution. If you feel uneasy on a slope, do not mow it.

#### DO:

- Drive up and down slopes, not across. Exercise extreme caution when changing direction on slopes.
- If the unit stops going uphill, stop the blades and back down slowly.
- Use extra care with attachments. They can change the stability of the machine.
- Keep all movement on the slopes slow and gradual.
- Remove obstacles such as rocks, tree limbs, etc.
- Watch for holes, ruts, or bumps. Tall grass can hide obstacles.
- Keep safety devices (guards, shields, and switches) in place and working.

#### DO NOT:

- Do not trim near drop-offs, ditches or embankments. The operator could lose footing or balance.
- Do not trim excessively steep slopes over 12 degrees (of approximately 1.6 feet for every 10 feet).
- Do not mow on wet slopes.
- Do not try to stabilize the machine by putting a foot on the ground.
- Do not make sudden changes in speed or direction.
- Avoid sudden turns.
- Avoid starting or stopping on a slope.



**WARNING!** Switch off the whole machine and remove the key before adjusting, cleaning or maintenance. The blades will continue to rotate for a few seconds after the machine is switched off.

## III. CHILDREN

- Tragic accidents can occur if the operator is not alert to the presence of children. Children are often attracted to the machine and the mowing activity. Never assume that children will remain where you last saw them.
- Young children must not be allowed to play in or be adjacent to areas where lawn mowers are being used. Children younger than 6 years should be kept indoors during mowing.
- Keep children out of the trimming area and under the watchful care of another responsible adult. Be alert and turn the machine off if children enter the area.
- Before and while moving backwards, look behind and down for small children.
- Children must not be allowed to ride as passengers on mowers or to be towed behind mowers in carts or trailers. They should not be permitted to play on or around the mower when it is in use or in storage.
- Never allow children to operate lawn mowers until they have displayed the necessary levels of judgment, strength, coordination, and maturity. They should also be educated in mower operation and safety and be supervised by an adult before they are allowed to operate a mower by themselves.

Most children will not be ready to operate a ride on mower until at least 12 years of age.

- Use extra care when approaching blind corners, shrubs, trees, or other objects that may obscure vision.



## IV. GENERAL INSTRUCTIONS FOR WORKING WITH YOUR LAWNMOWER

- Do not switch on the motor when standing in front of the discharge chute.
  - Do not put hands or feet near or under rotating parts. Keep clear of the discharge opening at all times.
  - Never make adjustments or repairs with the motor running. Switch off, remove key from Control Panel before any adjusting or maintenance.
  - Check regularly that nut and bolts, especially blade attachment bolts, are fastened tightly and keep the equipment in a good condition.
  - Never tamper with safety devices. Check their proper operation regularly.
  - Make sure that grass, leaves or other debris does not collect in the mower; check regularly and remove such residues to prevent blocking.
  - Stop and inspect your lawnmower if you strike any object. Repair, if necessary, before restarting.
  - Never attempt to make height adjustments while the motor is running.
  - Mower blades are sharp and can cause injuries. Wrap the blade(s) or wear gloves when handling them, and use extra caution during blade maintenance.
  - Be especially careful in case you select reverse when forward is desired.
  - Stop the blade(s) if the lawn mower has to be tilted for transportation, when crossing surfaces other than grass, and when transporting the mower to and from the area to be mown.
  - Switch on the motor carefully according to the instructions and with your feet well away from the blades.
  - Rotating blades can cut off legs and arms and are capable of throwing objects. Failure to observe safety instructions could result in serious injury or death.
  - Do not put hands or feet under or into the mower when the motors are running.
  - This machine will disengage from cutting when in reverse.
  - Shut off blades when not mowing. Park machine safely before leaving the operating station.
  - Never pick up or carry a lawn mower while the motor is running.
  - Switch off all motors and remove the key from the Control Panel:
    - Whenever you leave the machine.
    - Before clearing blockages or unclogging the chute.
    - Before checking, cleaning or working on the lawnmower.
    - After striking a foreign object. Inspect the lawnmower for damage and make repairs before restarting and operating the lawnmower.
    - If the lawnmower starts to vibrate abnormally (check immediately).
  - When not using the mower turn off the ignition key and REMOVE THE KEY for added safety.
- As a precaution, when the batteries are fully charged remove the battery charger.
- Loose fitting clothes and jewellery can be caught in movable parts. Never operate this machine in bare feet or sandals. Wear rough-soled work shoes and close fitting trousers and shirts.
  - This machine is not intended for use on any public roadway. Watch for traffic when operating near or crossing roadways.
  - Mow only in daylight and never carry passengers. Slow down before turning. Operate the machine smoothly. Avoid erratic operation.
  - Never leave a running machine unattended. Always turn off blades. Stop machine and remove key before dismounting.
  - This unit should not be driven up or down ramps as the unit could tip, causing serious personal injury. The unit must be pushed manually on ramps to load or unload properly.
  - Do not attempt to mow through unusually tall, dry or wet grass. This machine is designed to cut normal residential grass of a height no more than 6".
  - If situations occur which are not covered in this manual, use care and good judgement. Contact your local dealer or local authorised service department for assistance.

### PROPER USE

The electric riding mower may only be used for lawn maintenance. Any application that is not listed in this guide is prohibited.

## V. CUSTOMER RESPONSIBILITIES

- Read and observe the safety regulations contained in this Owner's Manual. This manual gives instructions on the correct assembly and safe use of your machine. It is important that you read these instructions carefully.
- Follow a regular schedule for maintaining, caring for and using your lawnmower.
- Follow the instructions in the Storage sections of this Owner's Manual.
- Remember that the operator is responsible for accidents with other persons or their property.
- When fully assembled the machine weighs approximately 382lbs. If necessary, obtain assistance to remove from packaging.



- **This riding mower is a HEAVY machine. The net weight is 173kgs/382Lbs. DO NOT ATTEMPT TO MANUALLY LIFT IT WITH ONLY ONE OR TWO PEOPLE!**



**CAUTION: The above use and safety instructions must be strictly adhered to. The manufacturer assumes no liability for any damage caused by improper operation, improper use, misuse, unauthorised repairs or alterations performed.**



### Residual risks

Even when the unit is used as prescribed it is not possible to eliminate all residual risk factors. The following hazard may arise in connection with the unit's construction and design:

- a. Damage to hearing if effective hearing protection is not worn.
- b. Damage to health resulting from vibration emission if the unit is being used over longer periods of time or not adequately managed and properly maintained.

## SPECIFICATIONS:

PRODUCT NAME	Rechargeable Ride-on Lawnmower
COMMERCIAL NAME	iON BATTERY RIDER
TYPE	BATTERY POWERED
MODEL	81RC ERIDER
Warranty	5 year domestic use, subject to annual service
Battery Warranty	2 year limited non commercial
Drive Motor	Forward-Neutral--Reverse
Drive system	Electric
Battery Capacity- Volts & Amp hour Rating	72V/31 Ah battery
Ground Speed (approx.)	Forward Max. 3.7 mph / 6 kmh
	Reverse Max. 3.1 mph / 5 kmh
DECK	
Deck Material	Steel
Deck Construction	Steel
Number of Spindles	2
Blade Tip Speed	2800 min-1
Spindle Material	Steel motor shaft
Deck Drive	Cutting motors: DC72V/800W Qty: 2
Deck Engagement	Electric-Blade mounted directly to motor shaft
Deck Lift System	Spring Assisted - Hand operated
Cutting width	32" (81 cm)

Cutting position and heights (1/2/3/4/5/6/7/8/9/10)	1 (1in/25mm). 2 (1.23in/31mm). 3 (1.55in/39mm).
	4 (1.94in/49mm). 5 (2.38 in/61mm).
	6 (2.87in/73mm). 7 (3.40in/86mm).
	8 (3.93in/100mm). 9 (4.47in/113mm).
	10 (5.0in/130mm).
Grass catcher volume	150 L
WHEELS	
Front / Rear	11" x 4.00-5NHS / 13" x 5.00-6NHS
Tyre Pressure (Front / Rear)	15psi / 20psi
Safety Certification	2006/42/EC, 2014/30/EU, 2000/14/EC, EN 62841 -1:2015, EN ISO 5395-1:2013+A1, EN ISO 5395-3: 2013+A2, UL60730, UL2753+ANSI B71.1, UL2595, EN ISO 12100:2010
Headlights	LED
Seat	High Back
Hour meter	Included
MACHINE DIMENSION	
Weight	Net weight: 382 lbs / 173 kg
Length	78.7in (2000mm)
Width	33.4in (848mm)
Height	40.9in (1040mm)
ATTACHMENTS	
Charger	72V/2.5A Certified Smart Charger
Grass catcher	Included
Mulch kit	Included
Grass deflector	Optional
Sound pressure level Lpa	76.2dB(A), Kpa=3dB(A)
Measured sound power level Lwa	89.69dB(A), Kwa=3dB(A)
Guaranteed sound power level	92dB(A)
Hand-arm vibration (left/right)	left : 1.80m/s <sup>2</sup> right : 1.49m/s <sup>2</sup> , (K=1.5m/s <sup>2</sup> )
Whole body vibration:	1.01m/s <sup>2</sup> (K=1.5m/s <sup>2</sup> )
Hardware Version	V 1.0
Software Version	V 1.0
Blade type	WG81EF13020/32(Front)
	WG81EF13021/32(Rear)

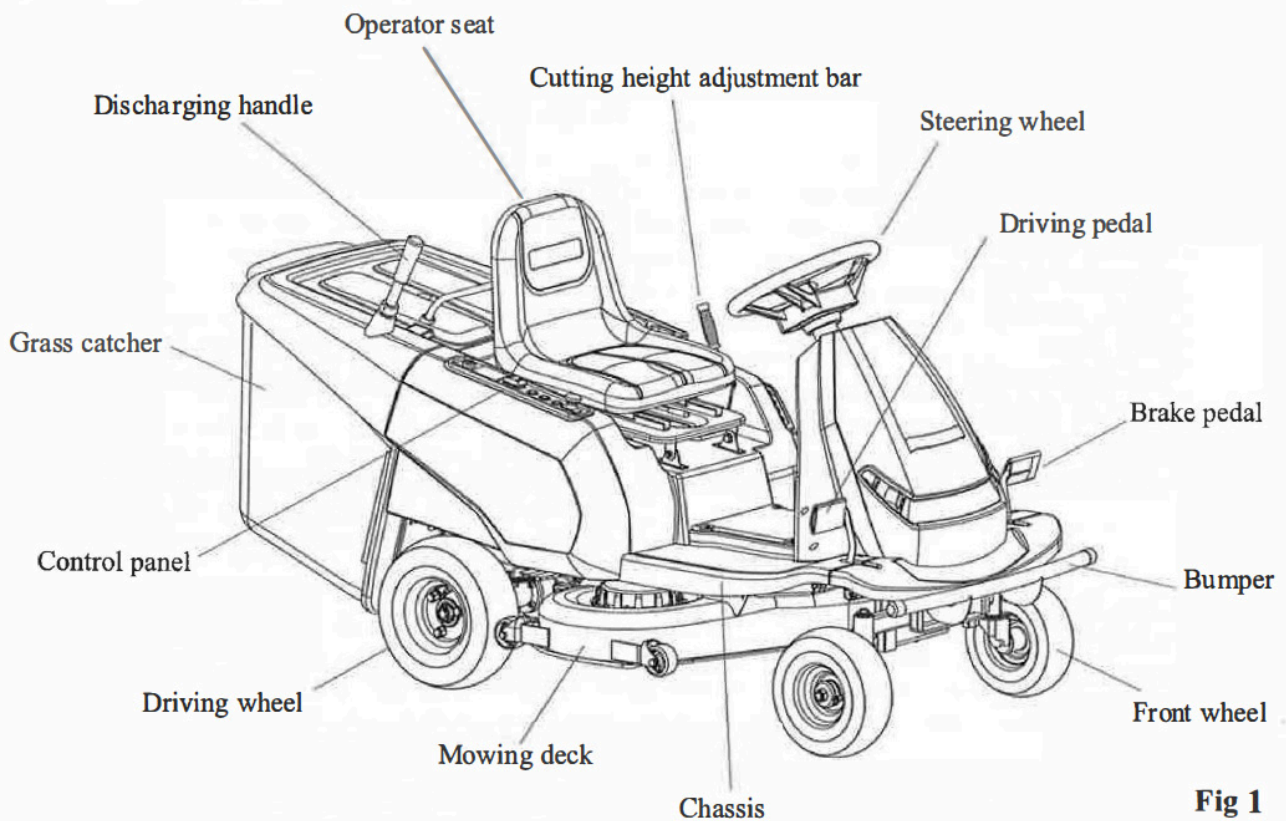
## Delivered Items

Carefully remove the machine from its packaging and check that you have all the following items:

- Ride on Lawnmower and grass catcher
- Mulching plug with handle
- Owner's Manual
- Guarantee card(s)

When parts are missing or damaged, please contact your dealer or Weibang Customer Service.  
Not all of the accessories illustrated or described are included as standard delivery.

## Features and control



**Cutting height adjustment bar**- used to adjust cutting height.

**Steering wheel**- used for turning the mower to the right or left.

**Control panel**- integrated driving and cutting control buttons.

**Brake pedal**- used to brake the mower.

**Driving pedal**- used to start the driving motor and drive the unit.

**Discharging handle**- used to open the grass catcher to discharge grass clippings.

## SET UP - Overview

### Charging your new machine

The charging socket is located under the steering wheel.  
Fig. 3

**NOTE:** Your new machine may have insufficient power after delivery. You need to plug in your machine to help ensure it is fully charged before starting. Charge the 72V lithium polymer battery for 12-15 hours to ensure a full charge. Carefully read the relevant sections in the Owner's Manual or ask your local Weibang dealer for details. Charging should be carried out in the ideal surrounding temperature of 32 to 104°F (0 to 40°C).

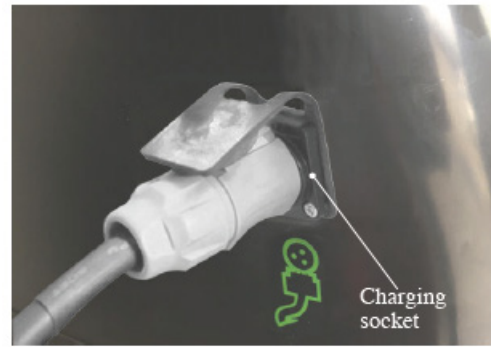


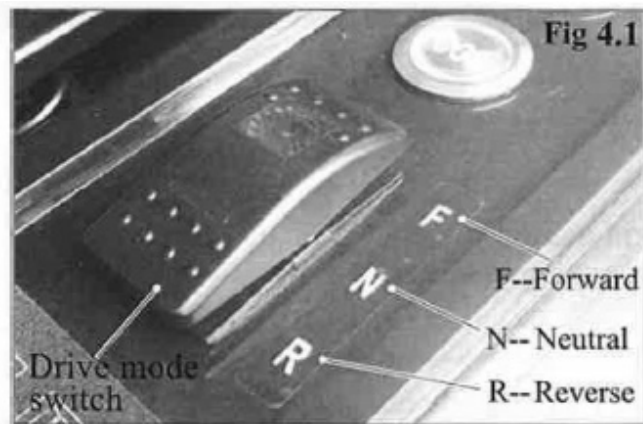
Fig 3

### WARNING

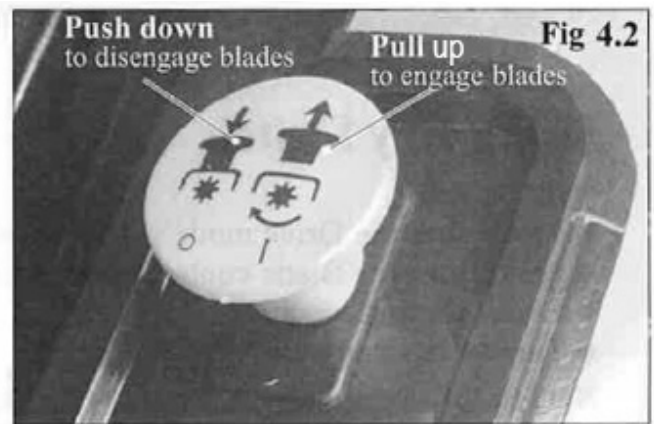
Do not short circuit the battery wires. Remove any jewellery before working on or near the battery or electric start system. Failure to follow these instructions could result in personal injury or property damage. Keep the charger out of reach of children.

## OPERATING CONTROLS

### Switches and Buttons



Drive mode switch



Blade control button

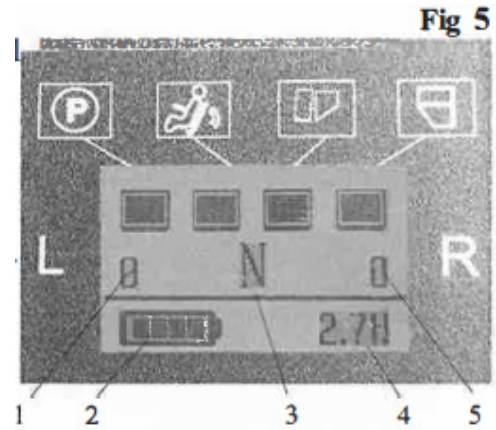
**NOTE:** The drive mode switch must be in the F (Forward) or N (Neutral) Position before starting the blade motors.

## Central Information Screen

Messages and unit status will be displayed on special LCD screen, which informs the operator of some basic parameters of the unit, such as driving speed, F/N/R, power level and operating hours.

**Note:** If the ignition key is turned to the “ON” position for a few seconds before starting the motor, the battery voltage will display in the area where the hours are normally displayed.

**Note:** The LCD indicators appear when each control meets the “safe to start” mode (e.g. the indicator turns on when the operator is in the seat).



	Brake status :	<input checked="" type="checkbox"/> Brake released	<input type="checkbox"/> Brake activated	1: Left motor speed r/min
	Operator position :	<input checked="" type="checkbox"/> Operator on seat	<input type="checkbox"/> Operator off seat	2: Power lever
	Catcher status :	<input checked="" type="checkbox"/> Grass catcher closed	<input type="checkbox"/> Grass catcher opened	3: F/N/R mode
	Clippings level :	<input checked="" type="checkbox"/> Grass catcher empty	<input type="checkbox"/> Grass catcher full	4: Working hours
				5: Right motor speed r/min

## Using the Parking Brake

- Press down the left pedal as far as it will go.
- Keep holding the pedal and lift the locking lever under the steering wheel. Then remove your foot from the pedal, so the parking brake is locked on.
- To unlock the parking brake, press down the left pedal with your foot to release the parking brake and the brake pedal.

**Result:** The parking brake prevents the machine from moving. If the machine moves, the parking brake needs to be adjusted. Contact your local Weibang dealer for details.



Fig 6



## Using the Key Switch

- Sit on the seat.
- Make sure the Drive Mode switch is in neutral.
- Make sure the Blade Control button is in the disengaged position.
- Check the starting conditions.
- Turn the key to the start position.

**NOTE:** When operating the unit, any operator MUST sit properly on the seat. The key switch must be turned to the start position before engaging any other controls.

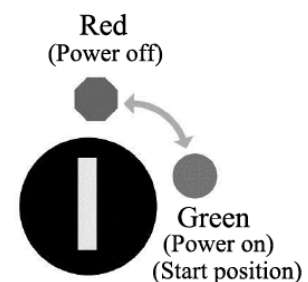


Fig 7

## Using CCS (Cruise Control System)

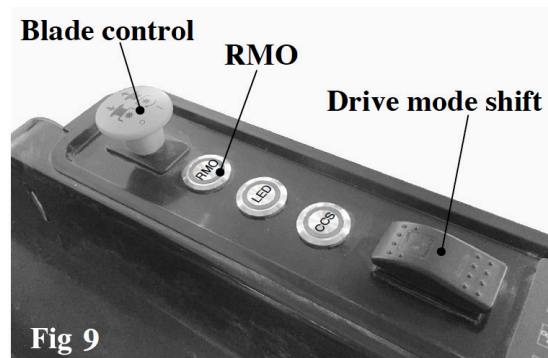
- Press the CCS button to shift to cruise mode.
- Press down the right pedal to accelerate the unit and hold the speed for about 3 seconds to activate the CCS, and then you can move your foot away from the pedal. Now the unit will keep to this cruising speed.
- Press down the right pedal or brake pedal to disengage cruise mode.



## Mowing in reverse

“RMO” means the unit can also work in reverse mowing mode. You can select the mode before mowing or when mowing forwards.

- Selecting RMO before mowing:
  - 1 Press the RMO button
  - 2 Pull up the Blade Control button to turn the blades on
  - 3 Change the Drive Mode switch to Ror
  - 1 Pull up the Blade Control button to turn the blades on
  - 2 Press the RMO button
  - 3 Change the Drive Mode switch to R



- Selecting RMO during forward mowing:

For safe reversing operation, the unit provides two shifting modes:

  - 1 Press the RMO button (blades keep turning)
  - 2 Change the Drive Mode switch to “R”or
  - 1 Change the Drive Mode switch to “R”
  - 2 Blades stop automatically
  - 3 Press RMO button
  - 4 Turn the blades on again
- Press down the right pedal to begin reverse-mowing.
- To stop reverse-mowing, press the RMO button again.

## RECHARGING THE MOWER

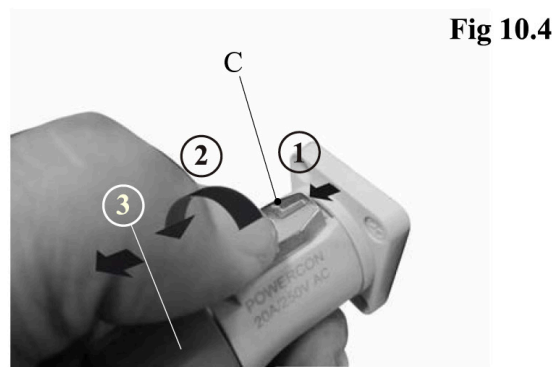
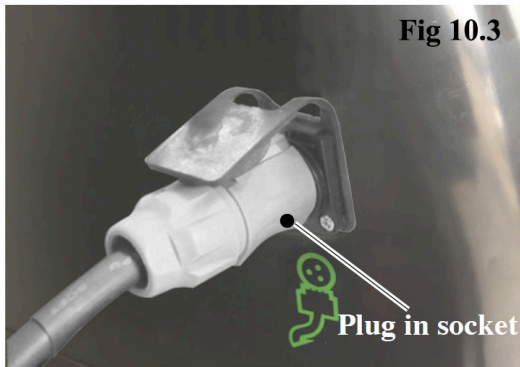
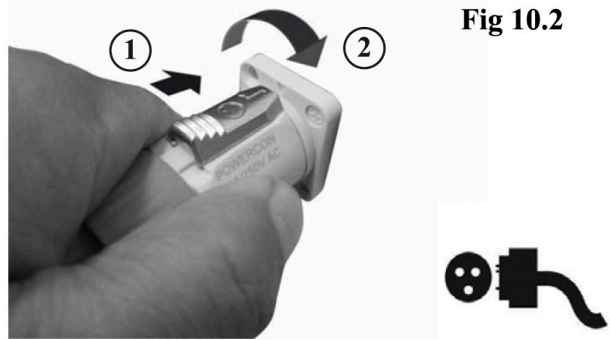
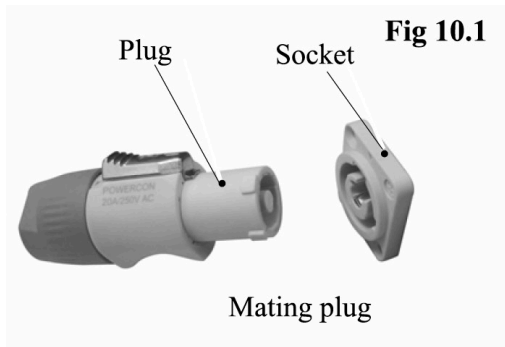
- When the battery power is poor, the power lever indicator will flash which means the unit needs charging.
- Charging should be carried out in temperatures from 32 to 104°F (0 to 40°C).
- Make sure the ignition key is in the off position.
- Plug the round charger plug into the socket on the machine as shown. (Fig 10.1-10.3)

NOTE: It will only fit ONE way.

- Plug the charger into a standard wall outlet. The RED light on the Battery Charger will light up indicating a connection between the Battery and Charger.

**NOTE:** A full charge takes approximately twelve (12) hours. When the battery is fully charged the RED light on the Charger will switch to GREEN.

Fully charge the Battery after draining it fully. This is important in order to maintain maximum mower performance and extend the useful life of the Battery. Each charge cycle is counted when the Battery is charged. To achieve optimal life, the Battery should be fully discharged before recharging.



#### Disconnecting the Charger (Fig 10.4)

Remember to disconnect the Charger from the machine using this sequence:

1. Pull the plug of the Charger out of the wall outlet.
2. Slide back the button C and turn the plug anti-clockwise and then pull the plug from the socket to disconnect the Charger from the machine.
3. Keep the Charger out of reach of children.

**Warning!** ALWAYS DISCONNECT THE CHARGER FROM THE ELECTRICAL (WALL) OUTLET FIRST, AND THEN DISCONNECT THE ROUND CHARGER PLUG FROM THE MACHINE. IF YOU REMOVE THE ROUND CHARGER PLUG FIRST, THE EXPOSED CONNECTOR COULD BE ACCIDENTALLY SHORT-CIRCUITED BY FOREIGN MATERIAL, WHICH MIGHT CAUSE A FIRE.

#### Adjusting the cutting height

- Make sure you are properly positioned on the seat attached to the unit.
- Take hold of the Height Adjustment Lever A and pull it to the right, away from the Graduator B.

NOTE: Keep a tight grip on the Height Adjustment Lever when adjusting.

- From here you may adjust the Lever to your desired cutting height, then locate securely into one of the teeth of the Graduator.

#### Cutting height adjustment

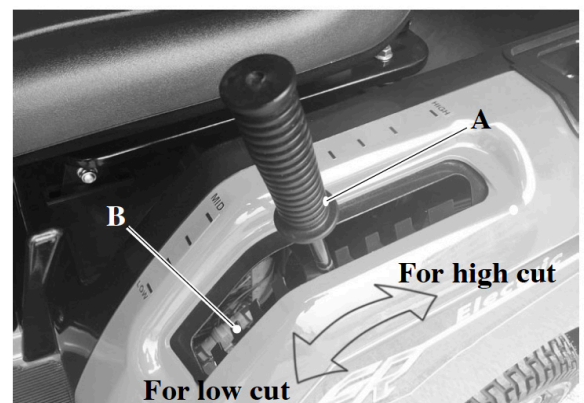


Fig 11



## Adjusting the seat

- To ensure comfort, you can use the seat lever to adjust the position of the seat.
- Push the lever C to the left, so the seat can be moved to the desired position.
- Release the lever C to re-lock the seat.

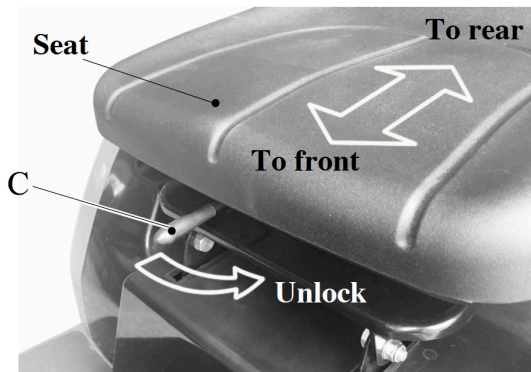


Fig 12

## OPERATING THE RIDE ON MOWER

### Operating

**REVIEW THIS CAREFULLY TO ENSURE SAFE AND LONG LASTING OPERATION**

**Please ensure that the mower has been fully charged before beginning. This involves connecting the Charger plug to the mating socket, if the battery is running low (Fig 10.3).**

**Then plug the other end of the Charger into a standard wall outlet. A full charge is usually achieved overnight. The Charger will automatically shut off and the indicator will turn GREEN when the unit is fully charged.**

1. Always follow the safety rules.
  2. Ensure that the parking brake is ON before operation. (Fig 6).
  3. Install the grass catcher.
  4. The mower is meant for its INTENDED USE ONLY! DO NOT USE IT FOR ANY OTHER PURPOSE.
  5. Position yourself comfortably in the seat.
  6. You MUST remain seated for the mower to operate. The unit includes an Operator Presence Switch that requires the operator to be seated properly. **If you are not seated properly, the unit will not operate.**
  7. Shift the Drive Mode switch to "N," and then turn the key to the right - you will see the indicating light change to GREEN.
  8. To begin you MUST release the parking brake first.
  9. To start the blades, pull up the Blade Control button to engage the blades (Fig 4.2).
- NOTE: Make sure the Drive Mode switch is set to the FORWARD position before engaging the blades. To properly disengage the blades, push down the Blade Control button (Fig 4.2).
10. The blades will automatically disengage when the following occurs:
    - The Blade Control button is pushed down (Fig 4.2).
    - The Drive Mode switch is positioned to neutral OR reverse (Fig 4.1).
    - The key is turned to the OFF position (Fig 5).
    - The Operator lifts off or leaves the seat.
  11. To proceed forward, press the Drive Mode switch to the forward position.
  12. When you press your right foot on the accelerator pedal, the unit will then begin to move in the direction set by shifting the Drive Mode switch (Fig 4.1).
  13. Release the accelerator pedal and the unit will come to a complete stop.

14. Before beginning to move, ALWAYS be aware of your surroundings. Always take precautions to ensure that the area you are mowing is clear of debris, obstructions, obstacles or any power wires.
15. If this is the FIRST TIME you are riding the unit we suggest you drive the unit around the area for a few minutes to allow you to become accustomed to the movement and speed of the unit.
16. When you are in position to begin cutting
  - a) Adjust the height of the mower.
  - b) Ensure that the area you are mowing is clear of debris, obstructions, obstacles or power wires.
  - c) Make sure that no people/animals are within 50ft of the mower.
  - d) Set the Drive Mode switch to FORWARD.
  - e) Engage and start the cutting motor.
  - f) Then engage the drive motor and begin cutting.
17. To stop, remove your foot from the Accelerator Pedal. NOTE: The mower will automatically brake once the pressure is released from the Accelerator Pedal.
18. If you reach an area that requires you to reverse, release the accelerator and come to a complete stop. Then push down the Blade Control button. (Fig 4.2).
19. You would then need to press the Drive Mode switch to the reverse position (rear facing arrow)(Fig 4.1). When the unit is switched into reverse, an audible alert is immediately activated.
20. BEFORE REVERSING - always check behind you to ensure safe movement and also ensure no persons, pets, or obstacles are present.
21. Engage the Accelerator Pedal - the unit will immediately begin to reverse.
22. NOTE: As a safety feature the unit is designed to disengage the cutting blades when switched into reverse directly. ALSO the speed of the unit in reverse is only half that of the forward speed. Safety in operating your lawnmower is a priority. All these features have been included to support the safe operation of the unit and the operator.
23. Release the Accelerator Pedal to come to a complete stop. Then move the Drive Mode switch to the forward arrow position ( Fig 4.1).
24. To re-engage the blades follow step 9. Use the accelerator pedal to begin the forward motion once again.
25. Disengage the blades and come to a complete stop when you are done. Safely park the unit. Engage the parking brake (Fig 6). When you leave the unit, turn the key to the off position and remove.

## **Mowing tips**

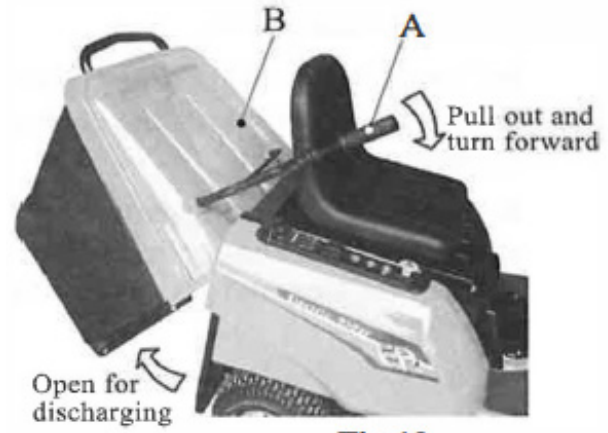
- Under certain conditions, such as very tall grass, it may be necessary to raise the height of cut to reduce the cutting effort and to keep from over loading the motor and leaving clumps of grass clippings. It may also be necessary to reduce ground speed and /or run the lawn mower over the area a second time.
- For extremely heavy cutting, reduce the width of cut by overlapping the previously cut path and mow slowly.

- Pores in cloth grass catchers can become filled with dirt and dust with use reducing efficiency. To prevent this, regularly hose the catcher off with water and let it dry before using.

**!** IMPORTANT: FOR BEST PERFORMANCE, KEEP MOWER HOUSING FREE OF BUILT-UP GRASS AND TRASH. SEE "CLEANING" IN THE MAINTENANCE AND SERVICING SECTION OF THIS MANUAL.

### Discharging grass clippings

- When the grass catcher is full of grass clippings, a special sensor will detect and alert the operator. A seated operator can open the grass catcher to discharge the grass clippings.
- Pull out the Discharging Handle A on the right side of catcher B, and then push Handle A to the front to open the catcher. The grass clippings will fall down automatically from catcher B.
- Keep the catcher B open and move the unit forward for about 1 metre to empty all the clippings.
- Move the Handle A backwards to close the catcher and re-insert the handle.

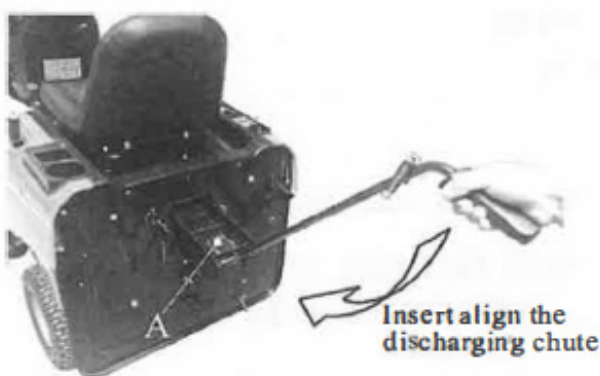


**Fig 13**

### Mulching

#### Mulching plug installation Fig. 14

- The unit can be changed to a mulching mower by installing a special mulching plug A.
- Open and remove the catcher using the two handles on the grass catcher.
- Insert the mulching plug A into the discharging opening until it stops on the bottom of discharging chute B.
- Stretch the free ends of the 2 springs C attached on the handle, until they catch the hooks D on the rear panel.
- Align the grass catcher to the rear panel and reinstall it to the unit.



**Fig 14**

### Mulching tips

- The special mulching blade will re-cut the grass clippings many times and reduce them in size so that as they fall onto the lawn they will disperse into the grass and not be noticed.

Also, the mulched grass will biodegrade quickly to provide nutrients for the lawn.

- Avoid cutting your lawn when it is wet. Wet grass tends to form clumps and interferes with the mulching action. The best time to mow your lawn is the early afternoon. At this time the grass has dried and the newly cut area will not be exposed to the direct sun.

- For best results, adjust the lawnmower cutting height so that the lawn mower cuts off only the top one-third of the grass blades. If the lawn is overgrown it will be necessary to raise the height of cut to reduce the cutting effort and to keep from overloading the motor and leaving clumps of mulched grass. For extremely heavy mulching reduce your width of cut by over-lapping the previously cut path and mow slowly.



- Certain types of grass and grass conditions may require that an area be mulched a second time to completely hide the clippings. When doing a second cut, mow across or perpendicular to the first cut path.

- Change your cutting pattern from week to week. Mow north to south one week then change to east to west the next week. This will help prevent matting and graining of the lawn.



## MAINTENANCE AND SERVICING

### Tyres

Tyre Sizes: Front (2) - 11x4.00-5 Rear (2) - 13x5.00-6

**WARNING: Never exceed the maximum inflation pressure shown on the sidewall of the tyre!**

- Keep tyres free of gasoline, oil, or insect control chemicals which can harm rubber.
- Avoid stumps, stones, deep ruts, sharp objects and other hazards that may cause tyre damage.

1. Always check tyres for damage.
2. Check tyre pressure with a proper tool.

**The recommended operating tyre pressure is:**

**Front 15psi / Rear 20psi.**

### Blade and Deck

The mower is designed to be self-standing on its rear bumper cover.

**Important: Before attempting to stand the unit, you MUST be on a solid horizontal surface!**

**The Parking Brake Must be ON.**

- You MUST apply the parking brake to stop the rear wheels!
- Two adults should stand on both sides of the unit and hold the front bumper by hand, and then lift and tilt the unit backwards until the unit stands on the horizontal surface.

**Note: Two people are required to tilt the unit upwards. Always have two people for any maintenance.**

- **IMPORTANT: ALWAYS** check stability before starting any maintenance service.

## Cleaning

1. Clean the underside of your riding-mower by scraping away any build-up of grass and debris.
2. Clean the motor often to keep debris from accumulating. A clogged motor runs hotter and shortens the motor life.
3. Keep finished surfaces and wheels free of grass and trash, etc.
4. We do not recommend using a garden hose to clean the riding mower, especially the underside of the unit. Moisture in a motor can result in a shortened motor life.



**WARNING! Do not clean the underside of the equipment by using a garden hose or water jet with high pressure.**

By following these procedures, you should have many years of safe operation of your mower.



**Make sure that four people lifting the machine are capable of lifting at least 100 lbs/45.36kgs individually!! NEVER ATTEMPT TO LIFT THE MACHINE WITH ONLY ONE or TWO PEOPLE!**

## Blade care

For best results, mower blades must be kept sharp. Replace bent or damaged blades.

## Blade Replacement

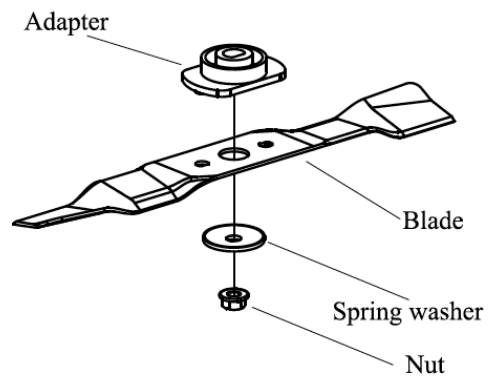
**Before making an attempt to replace the blades, order genuine replacement parts for your mower.**

### TO REMOVE A BLADE

1. Make sure the unit is switched off and the key removed.
2. Use a wooden block between the blade and the mower housing to prevent the blade from turning when removing the blade nut.

NOTE: Protect your hands with gloves and or wrap the blade with heavy cloth.

4. Remove the blade nut by turning it anti-clockwise.
5. Remove the blade and attaching hardware.



**Fig 15**

**CAUTION:** Avoid injury! Rotating blades are dangerous. Before replacing blades:

- Turn the unit off and remove the key.
- Always wear gloves when handling mower blades.

## TO REPLACE A BLADE

1. Position the blade adapter on the motor spindle.
2. Be sure the trailing edge of the blade (opposite sharp edge) is facing up toward the motor.
3. Install the blade nut with the spring washer onto the blade adapter and motor spindle.
4. Use a block of wood between the blade and the mowing deck and then tighten the blade nut, turning clockwise.

## TO SHARPEN A BLADE

NOTE: We do not recommend sharpening of blades by users for safety reasons, please contact your local Weibang dealer for replacement blades.

## TO INSTALL BLADES

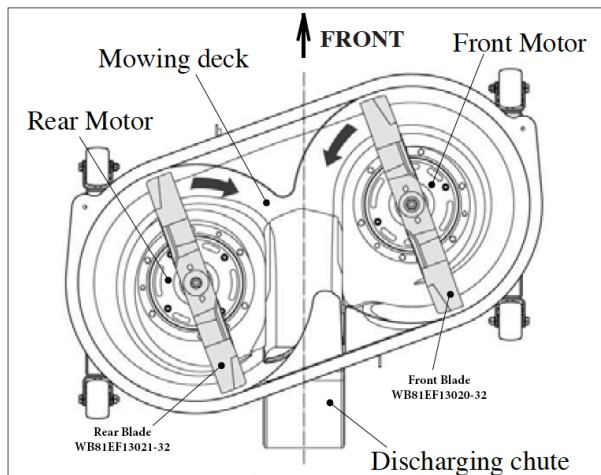
Reinstall mower blades to motor spindles in Figure 16 with flat side down.

The 2 blades have different turning directions. The blade marked “F”(Front blade) should be installed on the front motor, and the blade marked “R” (Rear blade) should be installed on the rear motor.

Install the washers and the lock nuts on the spindles one by one.

**Tighten nuts to a torque value of 26ft.lbs (35Nm).**

NOTE: If the top bolt of the spindle is removed, reinstall using LOCTITE#242 thread sealant.



**Fig 16**

## Battery Care

Power System: 72V 31 Ah (batteries in Series)

Charge Time: approximately twelve (12) hours (overnight during off peak hours is suggested).

Charging and using temperature: 32 to 104°F (0-40 °C)

## For Best Results:

Once you have depleted a substantial amount of power from the batteries the horn will beep and the battery indicator on the Central Information Screen will display in white, we suggest you connect to the Charger immediately. To avoid damaging the batteries, DO NOT allow highly depleted batteries to be stored without a charge.

## Safety Precautions:

- Never use these batteries for any other purpose than for use in your electric mower.
- DO NOT allow your batteries to freeze. Take precautions to prevent freezing.
- Never store your batteries when power is depleted. Ensure your batteries are charged before storing.
- Do NOT leave your Charger connected to the unit. Only connect the Charger to the unit to charge the Battery and disconnect the Charger when complete.

**IMPORTANT:** Ensure the following:

1. DO NOT try to: disassemble, uninstall or revise this product.
2. Keep any chemicals away from the batteries (water, glue, oil, etc.).
3. Battery power should be checked after each use to ensure that there is sufficient power in the battery.
4. When storing, keep the mower away from excessive moisture.

**Storage:**

- The battery MUST be stored in a dry area.
- The optimal temperatures for storing MUST be between -10 to 50°C - 14 to 122°F.

**Battery replacement**

When the battery pack is at the end of its life, please contact your local Weibang dealer to replace the battery pack.

## STORAGE

Immediately prepare your lawn mower for storage at the end of the season or if the unit will not be used for 30 days or more.

**RIDE ON MOWER**

When the lawn mower is to be stored for a period of time, clean it thoroughly, remove all dirt, grease, leaves, etc.

Store in a clean, dry area.

1. Clean entire lawnmower (See “CLEANING” in the Customer Responsibilities section).
2. Be sure that all nuts, bolts, screws, and pins are securely fastened. Inspect moving parts for damage, breakage and wear. Replace if necessary.
3. Touch up all rusted or chipped paint surfaces; sand lightly before painting.

**OTHER**

- If possible, store your unit indoors and cover it to give protection from dust and dirt.
- Cover your unit with a suitable protective cover that does not retain moisture. Do not use plastic. Plastic cannot breathe which allows condensation to form and will cause your unit to rust.

**Disposal**

Power tools, accessories and packaging should be sorted for environmentally friendly recycling.

# TROUBLESHOOTING

SYMPTOM	POSSIBLE CAUSE	TREATMENT
No power	Seat OPC switch “off” or damaged	Sit down on seat or check and change switch.
	Drive mode switch or key switch damaged	Check and change.
	Drive controller damaged	Check and change.
	Poor contact of wire bundle plugs	Check and change.
	Grass catcher not installed or in right position	Check the installation of grass catcher.
Drive-motor can not start	Drive-mode shifting switch at “Neutral”	Shift to “FORWARD”or “REVERSE”.
	Parking brake lever engaged	Release the Parking brake lever.
	Foot on Brake pedal	Remove foot from Brake Pedal.
	Foot on Driving pedal	Remove foot from Accelerator Pedal.
	Blade-motor is blocked	Turn off the unit and clean the debris or wait until the controller automatically unlocks after 5s.
	Drive-motor is blocked	Remove debris or obstacles.
	Low power	Charge batteries.
	Brake switch or accelerator switch damaged	Check and change.
	Drive mode switch damaged	Check and change.
	Drive controller damaged	Check and change.
	Poor contact of wire bundle plugs	Check and change.
Blade-motor can not start	Drive-mode shifting switch at “Neutral”	Shift to “FORWARD”or “REVERSE”.
	Parking brake lever locked	Release Parking brake lever.
	Blade-motor is blocked	Turn off the unit and clean debris.
	Low power	Charge batteries.
	Drive controller damaged	Check and change.
	Poor contact of wire bundle plugs	Check and change.
	Blade motor damaged	Check and change.
Unit doesn't work	Controller damage or motor damage	Turn off the unit, and restart after 5 seconds or repeat this cycle several times. If this doesn't work, replace the controller.
	Battery damage	Replace the battery pack.
Over vibration	Blades loose or unbalanced	Re-tighten or re-balance.
	Blade bracket distortion	Replace.
Discharge poor or can not discharge	Grass heavy or tall	First mow on highest height, then mow at desired height.
	Lawn too wet	Wait until lawn dry.
Lawn not flat	Blades cut over a high point	Replace or regrind.
Unit parts are not functional	<p>Switch failure. To find damaged parts, activate the self-checking function by following these steps: Keep operator sitting on seat, shift button to neutral, and then turn the key to “ON”. Press button “CCS”-“RMO”-“CCS”-“RMO” within 2 minutes after the key is turned to “ON” to begin the self-checking process:</p> <p>Unit parts are not functional</p> <ol style="list-style-type: none"> <li>1 Press drive brake pedal, horn beeps, so switch is ok.</li> <li>2 Press accelerator pedal, horn beeps, so switch is ok.</li> <li>3 Pull park brake lever, horn beeps, so switch is ok.</li> <li>4 Press button “RMO”, button lights and horn beeps, so “RMO” is ok.</li> <li>5 Press button “LED”, front light works, so “LED” is ok.</li> <li>6 Press button “CCS”, button lights and horn beeps, so “CCS” is ok.</li> <li>7 Shift “drive mode switch” to “F”, press accelerator pedal, unit moves forward, so “Forward” is ok.</li> <li>8 Shift “drive mode switch” to “R”, press accelerator pedal, unit moves backward, so “Reverse” is ok.</li> <li>9 Shift “drive mode switch” to “F”, press “blade control button”, blades turn, so “blade control button” is ok.</li> </ol>	



# Warranty Terms and Conditions

This Warranty contains obligations and exclusions solely on the part of Weibang UK and not on the part of any authorised Weibang Dealer.

Nothing in this document should be construed as an agency between Weibang UK and any of its authorised Dealers or their staff.

This warranty does not affect the statutory rights of the purchaser.

## Warranty Period

“Domestic Use” is defined as a person solely acting for a purpose not related to their business or profession.

“PRO Use” is defined as a person acting for a purpose relating to their business or profession.

## Warranty Terms

Weibang UK (“Weibang”) warrants this product to be free from manufacturing defects during the periods specified above, from the original date of sale from an authorised Weibang Dealer or via the official Weibang Webshop.

If within the warranty period a failure occurs, which is determined by Weibang to be caused by a manufacturing defect, Weibang will, at its discretion, authorise for repair or replacement of the necessary parts free of charge. This may only be undertaken by an authorised Weibang Dealer. It is recommended that you have your service and repairs carried out by the original selling Dealer who will have a full history and knowledge of your product.

## Warranty Exclusions

Weibang will not accept responsibility if, in its sole opinion, the part or parts require repair or replacement as a direct result of:

- a) Alteration from standard specification in a manner which affects the performance, durability or safety of the product, any of its component parts, or genuine Weibang accessories, e.g the fitting of non genuine Weibang parts or accessories, unless these are recommended or approved in writing by Weibang. Modifications or adjustments not recommended or approved in writing by Weibang.
- b) The use of lubricating oils, fuel or other fluids (including cleaning materials) which are not in accordance with the recommendations contained in the Owner’s Manual.
- c) Improper use, improper repair (this includes fitting of non-genuine or ‘pattern’ Parts), accidental or fire damage and contamination by or submergence in water.
- d) Deterioration due to normal wear and tear in use. The warranty does not cover routine service adjustment or normal replacement of service items (such as recoil ropes, cables, oils, BBC clutch, fluids, spark plugs and filters), or wear and tear items (such as belts and cutting blades). However, such items are covered if replacement is required as a result of a manufacturing or material defect.
- f) Any damage or consequential damage caused by accident or by operator neglect or abuse.

The warranty does not cover the engine of the product. The engine is warranted separately by the engine manufacturer.

The warranty may not apply if:

- a) The periodic maintenance and servicing is not carried out by an authorised Weibang Dealer at the appropriate intervals specified in accordance to the relevant Owner’s Manual. Evidence of this servicing must be produced, if requested, at the time of any warranty claim.
- b) The product is not inspected and serviced by an authorised Weibang Dealer at least once per calendar year.
- c) The owner fails to keep copies of any service or repair invoices for confirmation of the service history. Failure to return the warranty registration or service cards within this book will invalidate the warranty.
- d) Any problem experienced is not reported to an authorised Weibang Dealer within a reasonable time, or the product is not properly inspected by that Dealer. The owner should take all possible steps to prevent further damage as soon as any problem is apparent. Any consequential damage caused by the continued use of the product after a problem has been identified may not be covered by this warranty.

## Warranty Procedure

In the unlikely case of trouble, in the first instance contact your selling Dealer for advice. To obtain a warranty repair, present the product together with this warranty document and purchase invoice to any authorised Weibang Dealer.

For advice or to obtain details of your nearest authorised Weibang Dealer, visit [www.weibang.co.uk](http://www.weibang.co.uk)

# MAINTENANCE SCHEDULE

## **WARNING! Dangers during maintenance!**

During all maintenance work:

- Switch off the motor and remove the key.
- Protective devices removed for maintenance must be reinstalled afterwards.
- DANGER OF BURNS: Do not work on the ride-on mower until it has cooled down. The motor and transmission get very hot!
- DANGER OF LACERATIONS: When working on the cutters, pay attention to the sharp blades. Moving one cutter can cause the other to move as well.
- Parts must be replaced with genuine spare parts.
- If in doubt, always visit a specialist workshop or contact the manufacturer.

## **Maintenance schedule**

The following jobs are allowed to be carried out by the user independently. All other maintenance, service and repair work must be carried out in an authorised service workshop.

In addition, please also comply with the recommended annual lubrication tasks as indicated in the lubrication plan.

Activity	Before each use	After each use	After the first 5 hours	Every 25 operating hours	Every 50 operating hours	Each time before putting into storage
Check the tyre pressure	X					
Check the mowing blades	X					
Checking for loose parts	X					X
Cleaning the ride-on mower		X				
Remove any build up of debris from the transmission area		X				
Remove any build up of debris from the top of the mower deck		X				

NOTE: It may be necessary to shorten the maintenance intervals compared to those stated in the table above in case of severe loading and at high temperatures.

## **Lubricating plan**

To ensure that moving parts can move freely, we recommend lubricating the following points at least once a year.

Use a cloth to clean all points to be lubricated before greasing or spraying. Do not use water, so as to avoid possible corrosion.

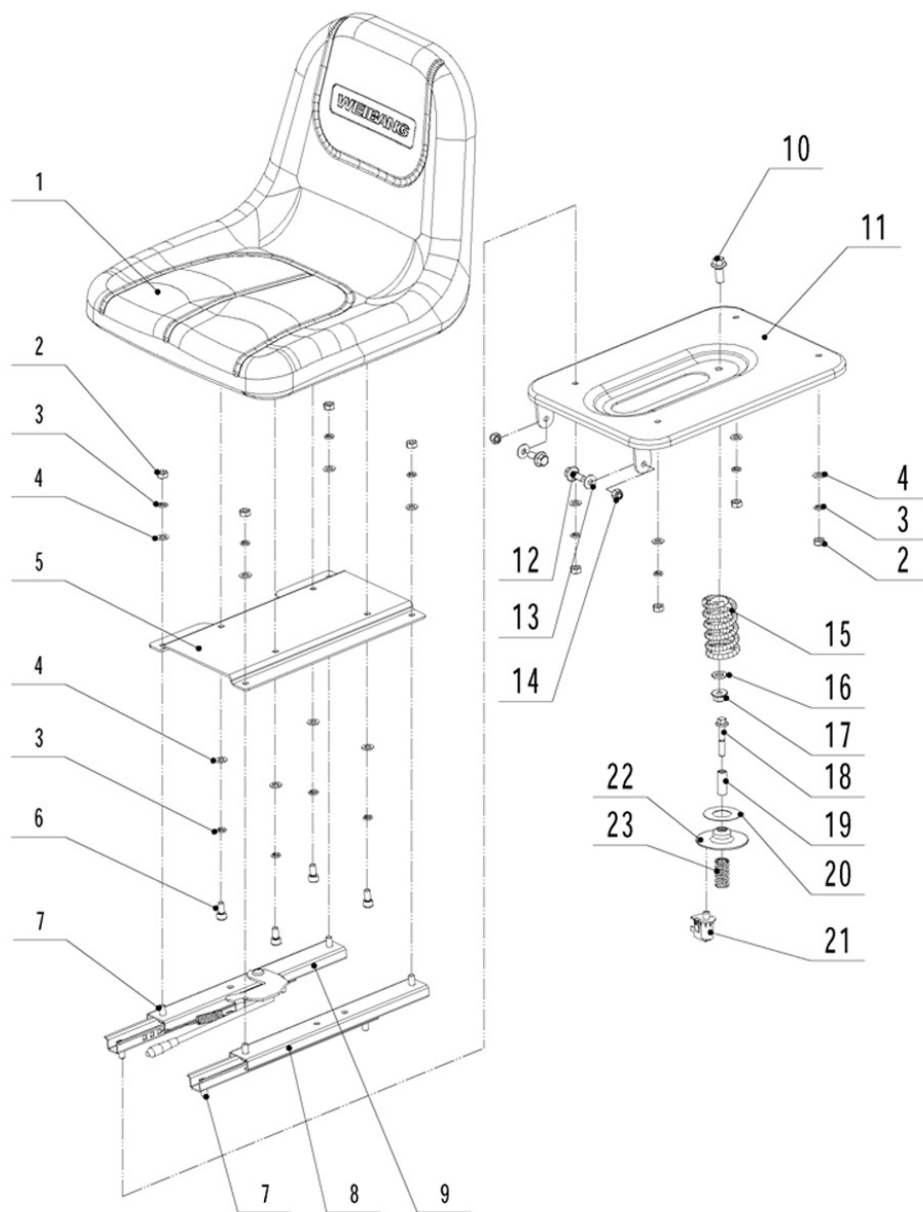
Lubrication points:

- Spray oil onto the bearings of the front axle on the frame.
- Pivoting and bearing points: Lubricate all movable pivoting and bearing points.

## **Servicing**

We recommend that the electric ride-on lawnmower is serviced annually by your local Weibang service dealer to keep the mower from operating at its maximum performance and to maintain the 5 year warranty.

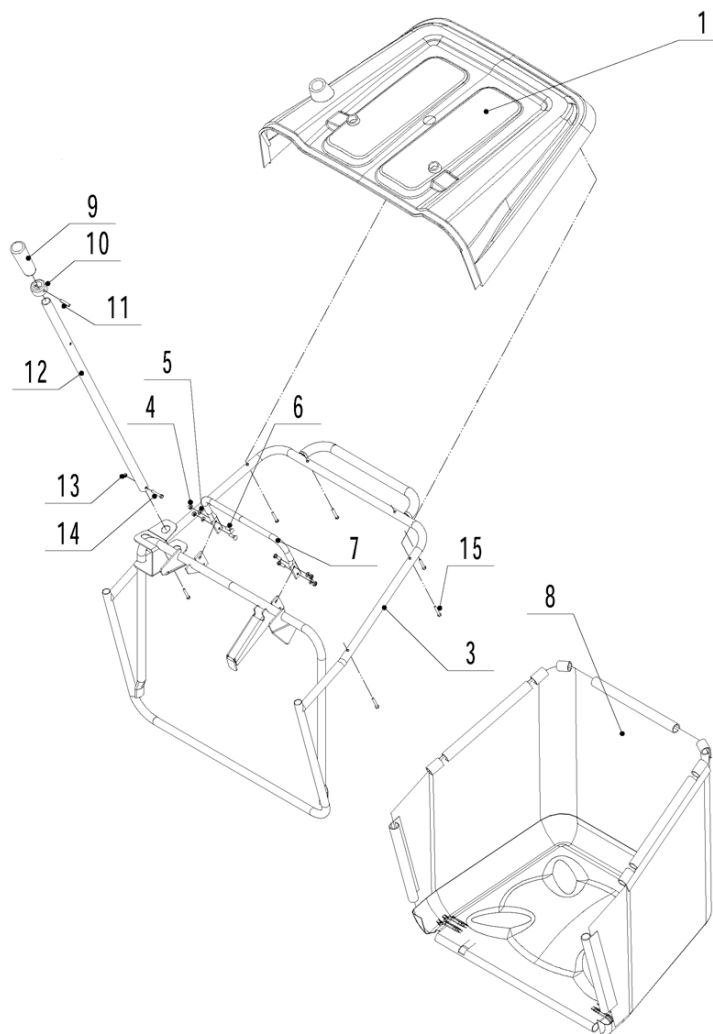
# SEAT ASSEMBLY



No.	Part number	Description
1	WG76EB01010	Seat
2	WG0201008000	Nut - M8
3	WG0401008000	Spring Washer - M8
4	WG0301008000	Washer - M8
5	WG76EN03030/22	Connecting Plate
6	WG0103008020	Screw - M8x20
7	WG0103008016	Screw - M8x16
8	WG76EN03050	Right Rail
9	WG76EN03040	Left Rail

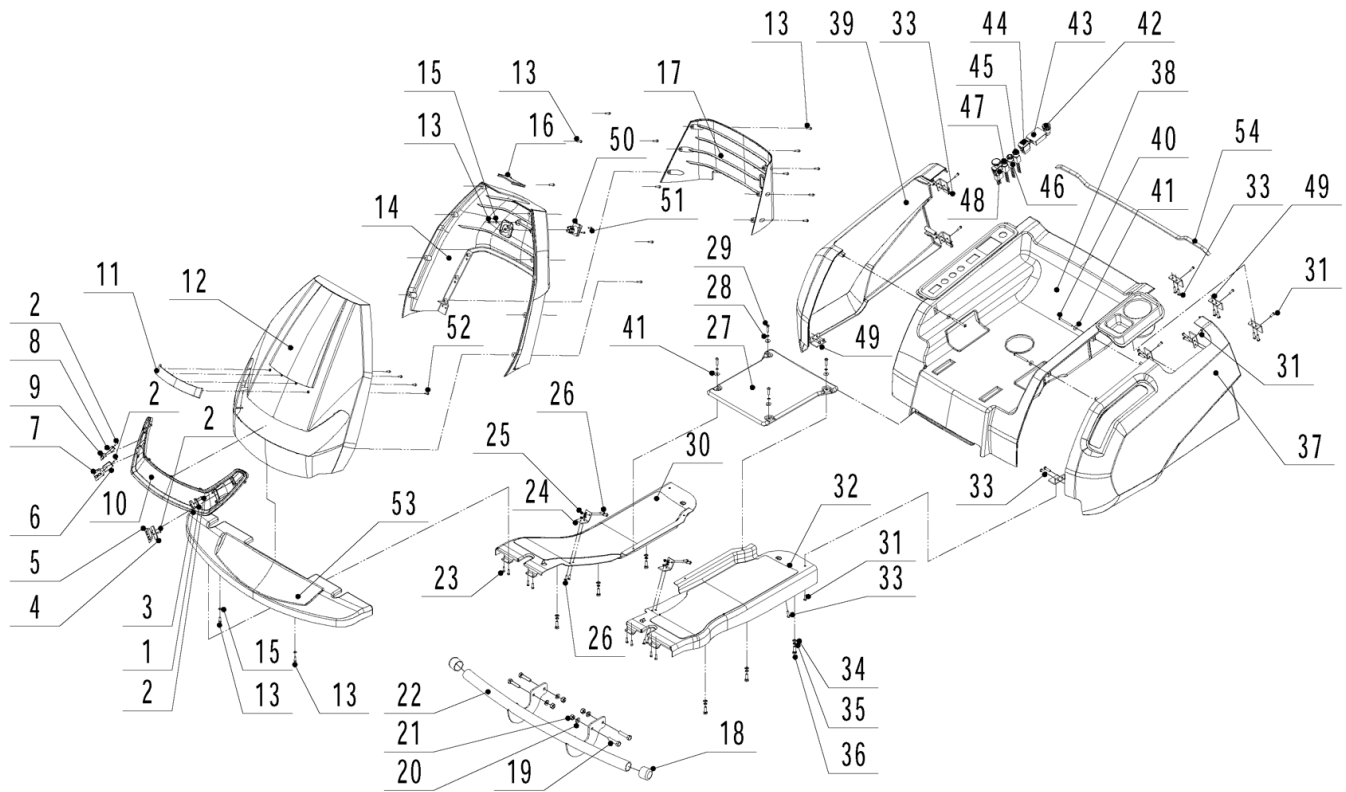
No.	Part number	Description
18	WG0102008045	Bolt - M8x45
19	WG76EB07010/02	Bush
20	WG76EB06020	Cushion
21	WG81QZY001	Switch
22	WG76EB08010/02	Cap
23	WG76EB09010B1/04	Pressing Spring

# GRASS COLLECTOR



No.	Part number	Description
1	WG81EB01010	Grass Catcher Cover
3	WG81EB02010/22	Grass Catcher Frame
4	WG0202006000	Nut - M6
5	WG0301006000	Washer - M6
6	WG0107006020	Bolt - M6x20
7	WG81EB02020/22	Lifting Handle
8	WG81EB02030	Grass Bag Fabric
9	WGDSZ0000480	Grip
10	WG81EB02040	Lever Block
11	WG0701006035	Pin - 6x35
12	WG81EB02050/22	Discharging Handle
13	WG0202005000	Nut - M5
14	WG0101005030	Bolt - M5x30
15	WG0113050035	Screw - M5x35

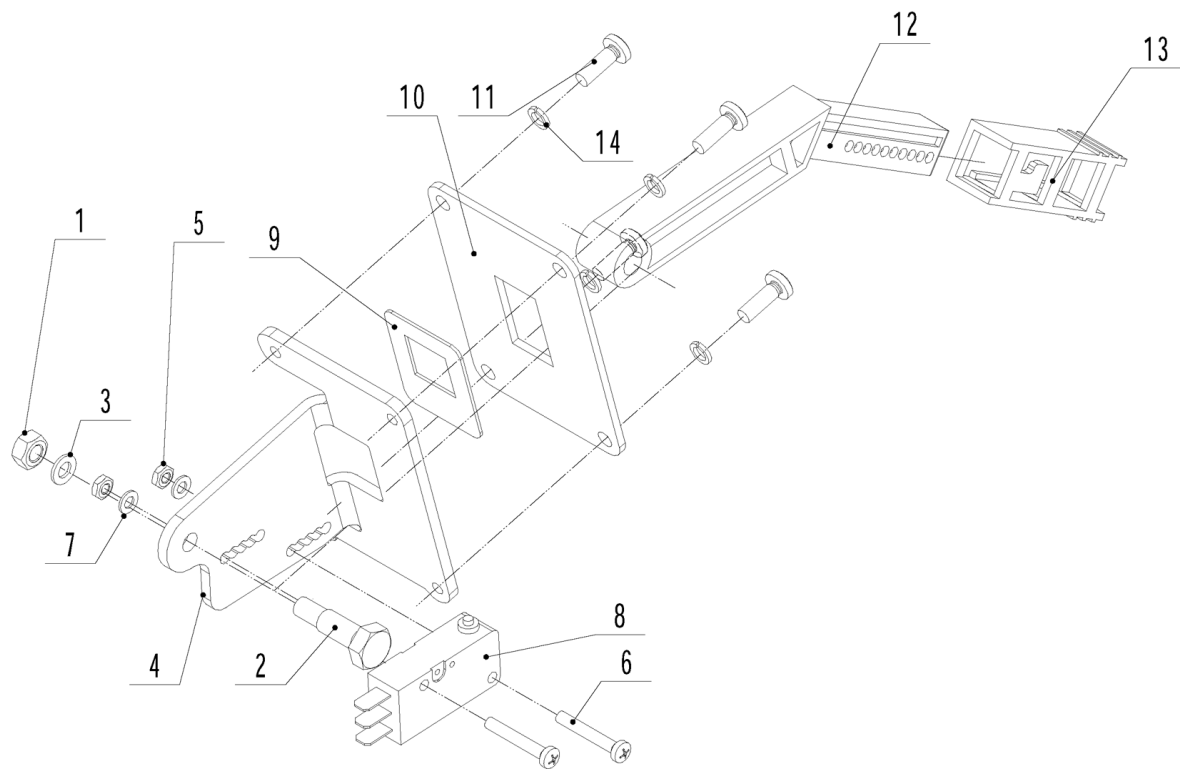
# BODY PANELS



No.	Part number	Description
1	WG81EC01000	Left Light Plate A
2	WG0113022005	Screw - K22x5
3	WG81EC02000	Left Light Cover A
4	WG81EC03000	Left Light Plate B
5	WG81EC04000	Left Light Cover B
6	WG81EC05000	Right Light Plate B
7	WG81EC06000	Right Light Cover B
8	WG81EC07000	Right Light Plate A
9	WG81EC08000	Right Light Cover A
10	WG81EC09000	Light Base
11	WG81EC10000	Cover
12	WG81EC11000	Pedestal Cover Front
13	WG0113040016	Screw - K4x16
14	WG81EC12000	Pedestal Cover Centre
15	WG0301004000	Washer - M4
16	WG81EC13000	Cover
17	WG81EC14000	Pedestal Cover Rear
18	WG76EC11010	Cap
19	WG0101008035	Bolt - M8x35
20	WG0301008000	Washer - M8
21	WG0202008000	Nut - M8
22	WG81EC15000/22	Bumper
23	WG0113040012	Screw - M4x12
24	WG81EC16000/02	Bracket B
25	WG0202004000	Nut - M4
26	WG0104004012	Screw - M4x12
27	WG81EC17000/22	Centre Cover
28	WG0401005000	Spring Washer - M5

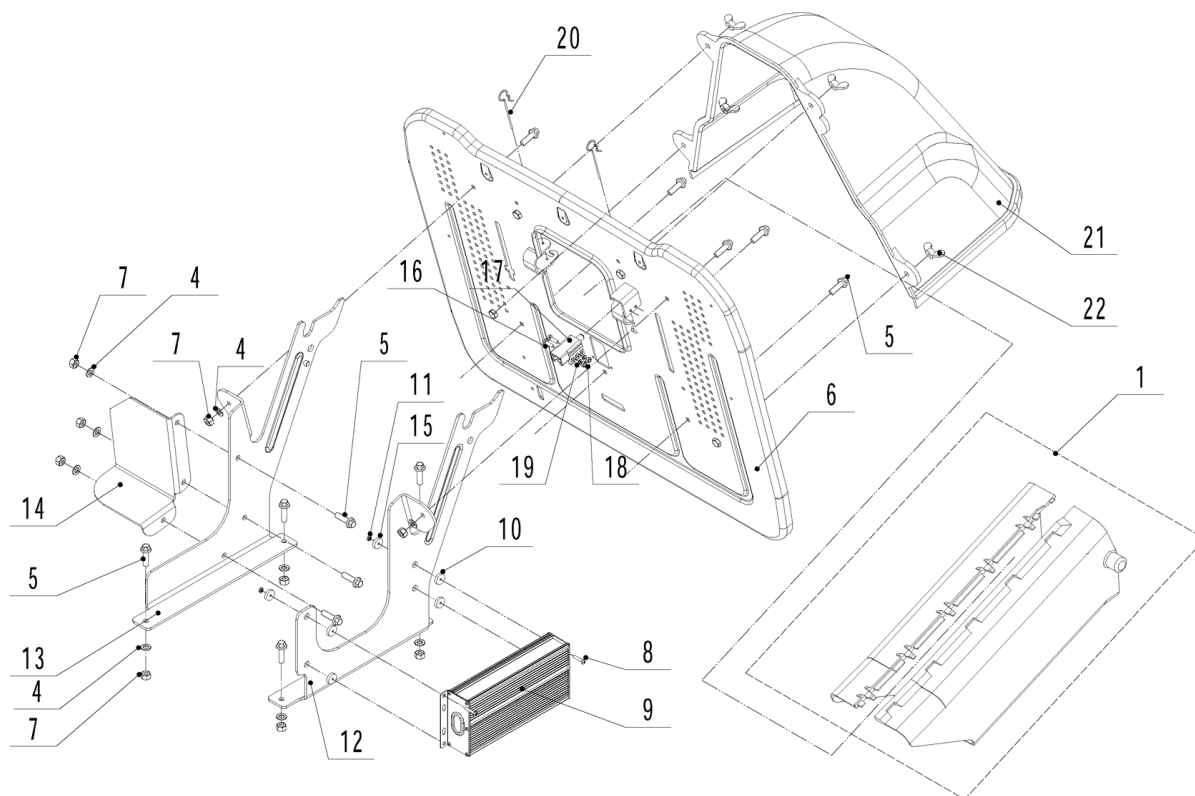
No.	Part number	Description
29	WG0104005020	Screw - M5x20
30	WG81EC18000	Footplate RH
31	WG0106004015	Screw - ST4.2x15
32	WG81EC19000	Footplate LH
33	WG0113050016	Screw - M5x16
34	WG0301006000	Washer - M6
35	WG0401006000	Spring Washer - M6
36	WG0101006020	Bolt - M6x20
37	WG81EC20000	Fender LH
38	WG81EC21000	Middle Body Panel
39	WG81EC22000	Fender RH
40	WG0113050050	Screw - M5x50
41	WG0302005000	Penny Washer - M5
42	WG76LDH002	On Off Switch
43	WG81EC23000	Monitor
44	WG76LFNR001	Drive Mode Switch
45	WG76LCCS001	Cruise Control Button
46	WG76LDK001	Light Switch
47	WG76LRM001	Reverse Cutting Switch
48	WG76LDP001	PTO Switch
49	WG81EC24000/02	Bracket A
50	WG16003631-02	Charging Connector
51	WG0113030016	Screw - M3x16
52	WG0113035010	Screw - ST3.5x10
53	WG81EC25000	Front Fender
54	WG81EC26000	Sealing Strip

# BOX FILL INDICATOR



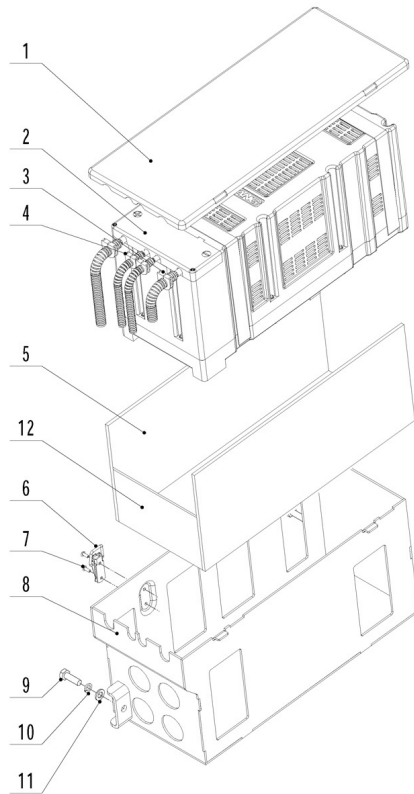
No.	Part number	Description
1	WG0202005000	Nut - M5
2	WG81ED01000/02	Shoulder Bolt
3	WG0301005000	Washer
4	WG81ED02000/02	Bracket
5	WG0202003000	Nut - M3
6	WG0104003020	Screw - M3x20
7	WG0301003000	Washer - M3
8	WG81QJC001	Microswitch
9	WG81ED03000	Spacer
10	WG81ED04000/02	Cover
11	WG0106004015	Screw - ST4.2x16
12	WG81ED05000	Connector
13	WG81ED06000	Cap
14	WG0401004000	Spring Washer - M4

# REAR PANEL & OPTIONAL DEFLECTOR



No.	Part number	Description
1	WG81EE01000	Grass Chute Assembly (accessory)
4	WG0301008000	Washer - M8
5	WG0102008025	Bolt - M8x25
6	WG81EE02000/22	Rear Panel
7	WG0202008000	Nut - M8
8	WG0104004020	Screw - M4x20
9	WG81EE03000B1	Control Unit
10	WG76ED05010	Spacer
11	WG0202004000	Nut - M4
12	WG81EE04000/22	Bracket LH
13	WG81EE05000/22	Bracket RH
14	WG81EE06000/22	Battery Support
15	WG76ED06010	Anti Vibration Mount
16	WG0104005016	Screw - M5x16
17	WGZ61C0300	Switch
18	WG0202005000	Nut - M5
19	WG0301005000	Washer - M5
20	WG81EE07000/02	Pin
21	WG81EE08000	Deflector Chute - Optional
22	WG0211008000	Wing Nut - M8

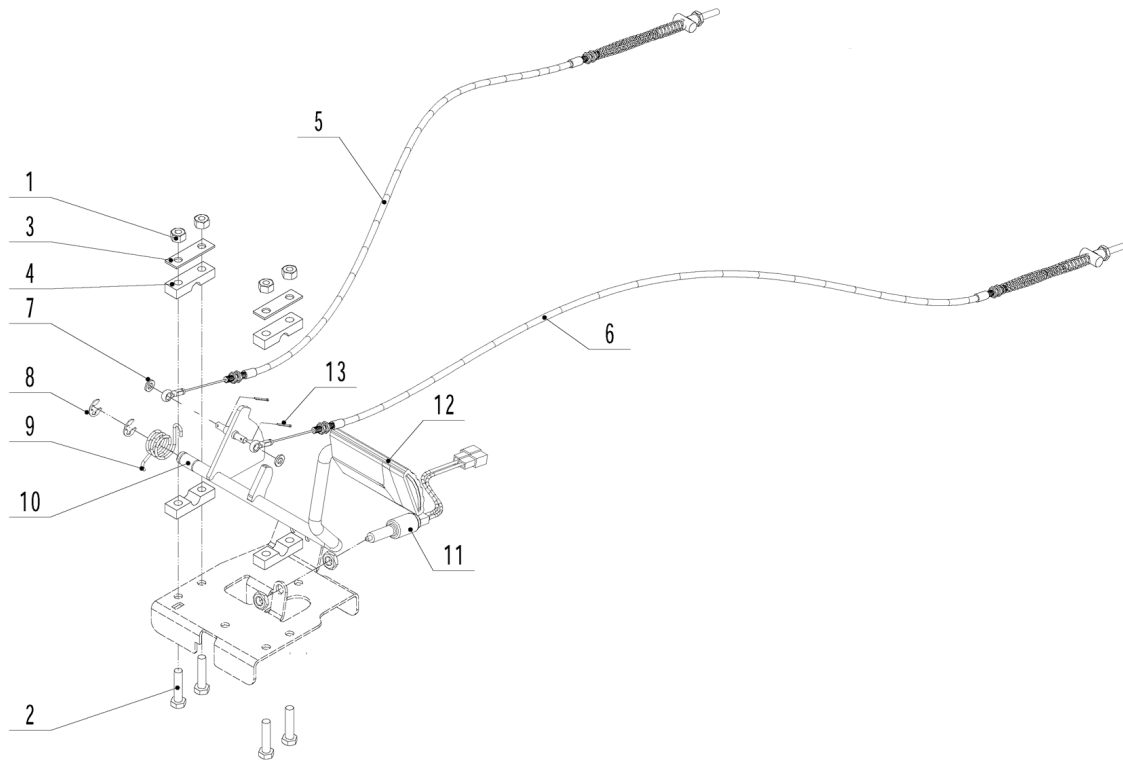
# BATTERY



No.	Part number	Description
1	WG81EF01000/22	Battery Cover
2	WG76ED20000	Lithium Battery
3	WG76ED16000	Seal A
4	WG76ED15000	Seal B
5	WG76ED01150B1	Sponge
6	WG76ED17000	Hasp
7	WG1202004008	Rivet
8	WG81EF02000/22	Battery Box
9	WG0101008020	Bolt - M8x20
10	WG0401008000	Spring washer - M8
11	WG0301008000	Washer - M8
12	WG81EF03000	Sponge

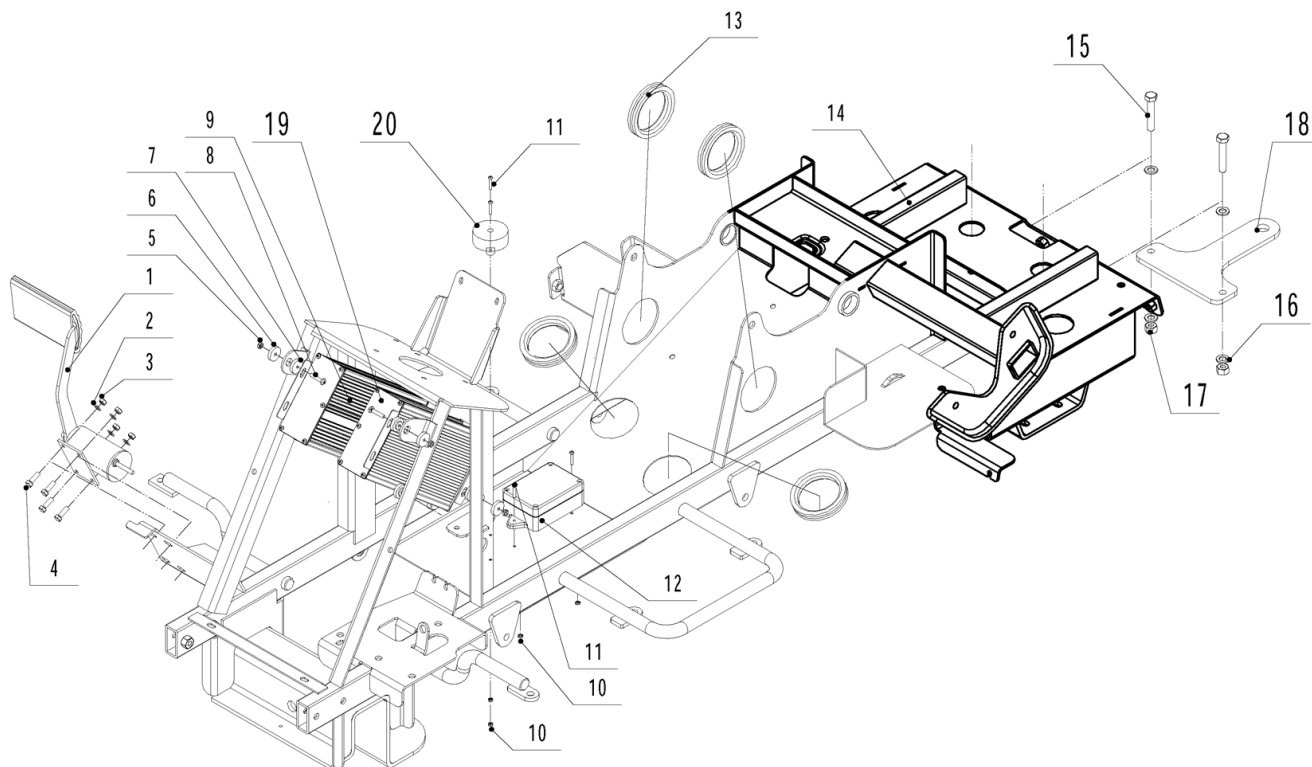


# BRAKE COMPONENTS



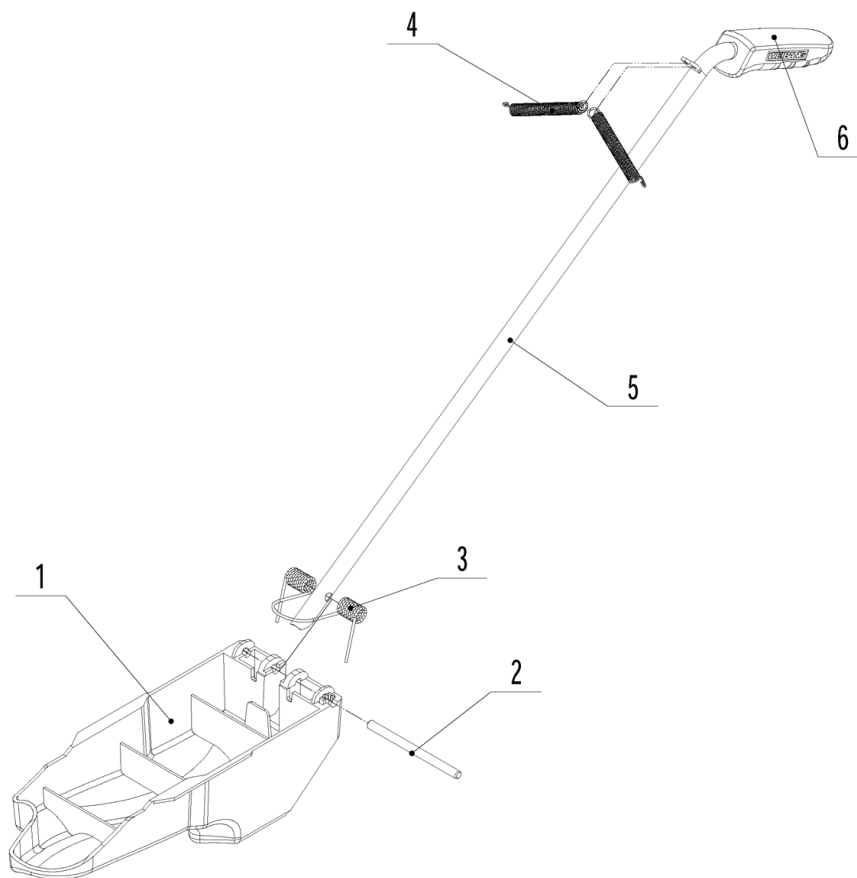
No.	Part number	Description
1	WG0202008000	Nut - M8
2	WG0101008035	Bolt - M8x35
3	WG76EH01010/02	Plate
4	WG76EH02010	Bearing Half
5	WG81EG01000	Brake Cable RH
6	WG81EG02000	Brake Cable LH
7	WG0301006000	Washer - M6
8	WG1301009000	Check Ring 9
9	WG76EH05010/02	Torsion Spring
10	WG81EG03000/01	Brake Pedal
11	WG76EH06010	Switch
12	WG76EH04010	Pedal Rubber
13	WG0501P60010	Split Pin - 1.6x10

# CHASSIS & CONTROL UNITS



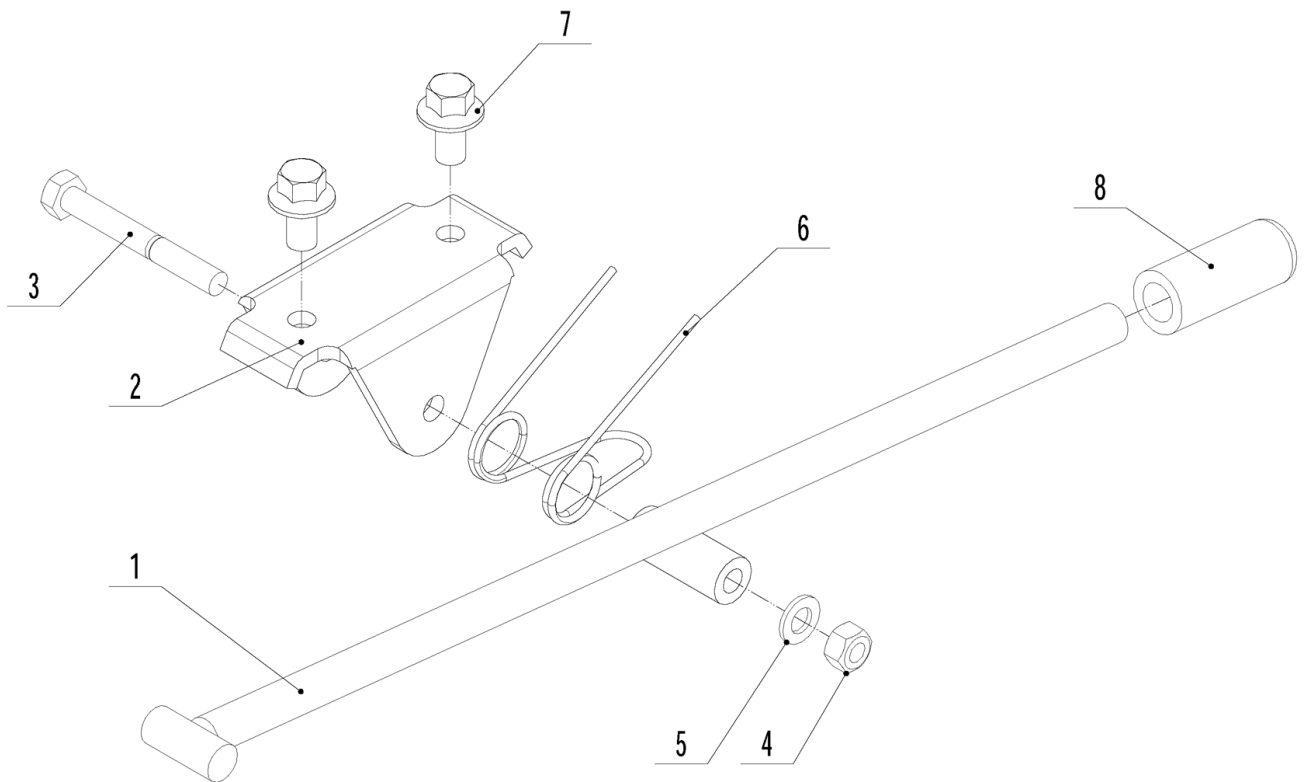
No.	Part number	Description
1	WG76ED01170	Accelerator Pedal
2	WG0301005000	Washer - M5
3	WG0202005000	Nut - M5
4	WG0101005016	Bolt - M5x16
5	WG0202004000	Nut - M4
6	WG76ED06010	Anti Vibration Mount
7	WG76ED05010	Spacer
8	WG0104004020	Screw - M4x20
9	WG81EH01000B1	Control Unit RH
10	WG0202003000	Nut - M3
11	WG0104003016	Screw - M3x16
12	WG76ED14000	Lighting Controller
13	WG76ED09010	Rubber Ring 60
14	WG81EH02000/22	Chassis
15	WG0101008040	Bolt - M8x40
16	WG0301008000	Washer - M8
17	WG0202008000	Nut - M8
18	WG81EH03030/02	Towing Bracket
19	WG81EH03040B1	Control Unit LH
20	WG76ED18000	Buzzer

# MULCH PLUG



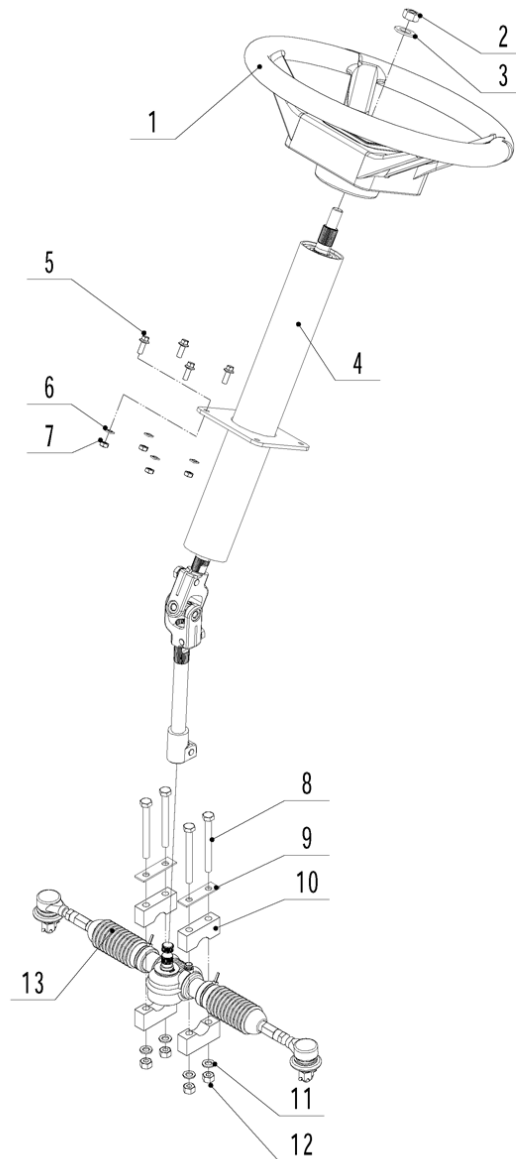
No.	Part number	Description
1	WG81EI06000	Mulch Plug
2	WG81EI05000/02	Pivot Pin
3	WG81EI04000/02	Spring
4	WG81EI03000/02	Tension Spring
5	WG81EI01000/22	Bar
6	WG81EI07000	Grip

# PARKING BRAKE



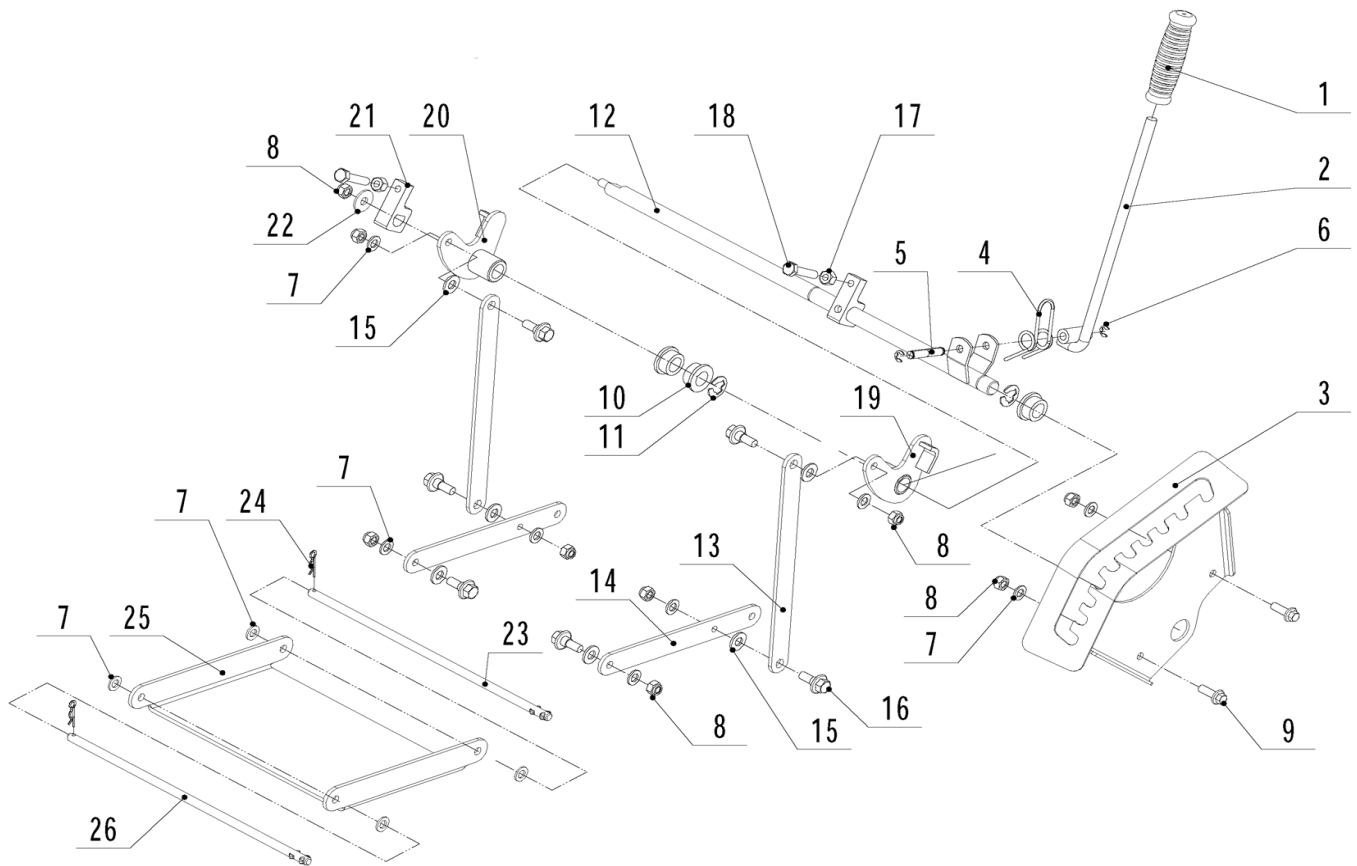
No.	Part number	Description
1	WG81EJ01000/02	Brake Lever
2	WG81EJ02000/02	Bracket
3	WG0101005040	Bolt - M5x40
4	WG0202005000	Nut - M5
5	WG0301005000	Washer - M5
6	WG81EJ03000/02	Spring
7	WG0102006008	Bolt - M6x8
8	WG81EJ04000	Knob

# STEERING COMPONENTS



No.	Part number	Description
1	WG76EA01000B1	Steering Wheel
2	WG0202012000	Nut - M12
3	WG0301012000	Washer - M12
4	WG81EK01000	Steering Shaft Assembly
5	WG0102006020	Bolt - M6x20
6	WG0301006000	Washer - M6
7	WG0202006000	Nut - M6
8	WG0101008080	Bolt - M8x80
9	WG76EA06010/02	Plate
10	WG76EA07010	Bearing Half
11	WG0301008000	Washer - M8
12	WG0202008000	Nut - M8
13	WG76EL08000	Steering Rack

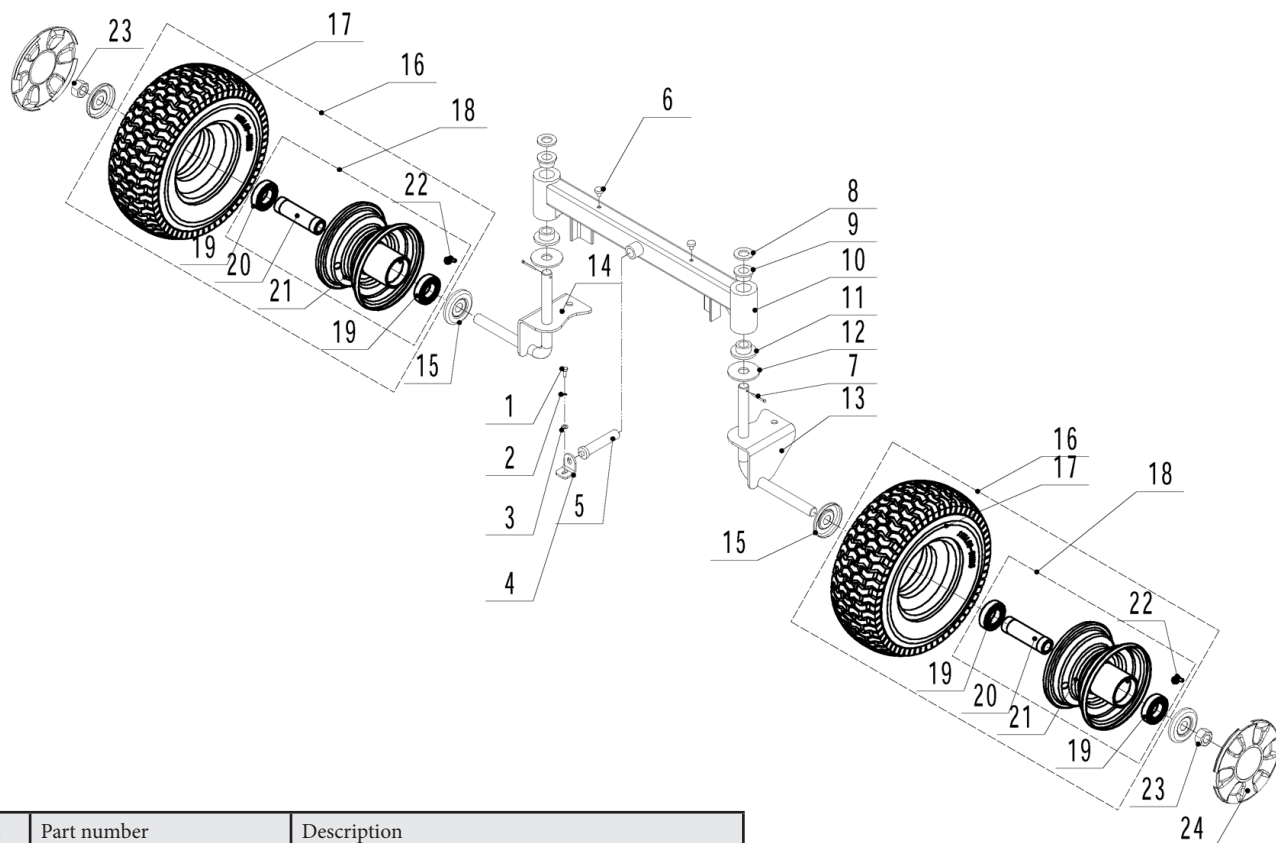
# HEIGHT ADJUSTMENT



No.	Part number	Description
1	WG76EG11010	Grip
2	WG81EL01000/01	Height Lever
3	WG81EL02000/01	Graduator
4	WG76EG13010/02	Lever Spring
5	WG76EG14010/02	Pivot Pin
6	WG1301006000	Check Ring - 6
7	WG0301008000	Washer - M8
8	WG0202008000	Nut - M8
9	WG0102008020	Bolt - M8x20
10	WG76EG01010	Bush
11	WG1301012000	Check Ring - 12
12	WG81EL03000/02	Height Shaft
13	WG81EL04000/02	Drop Link
14	WG81EL05000/02	Deck Link
15	WG76EC04010	Nylon Washer
16	WG76EC03010/02	Shoulder Bolt
17	WG0201008000	Nut - M8
18	WG0101008035	Bolt - M8x35
19	WG81EL06000/02	Arm LH
20	WG81EL07000/02	Arm RH

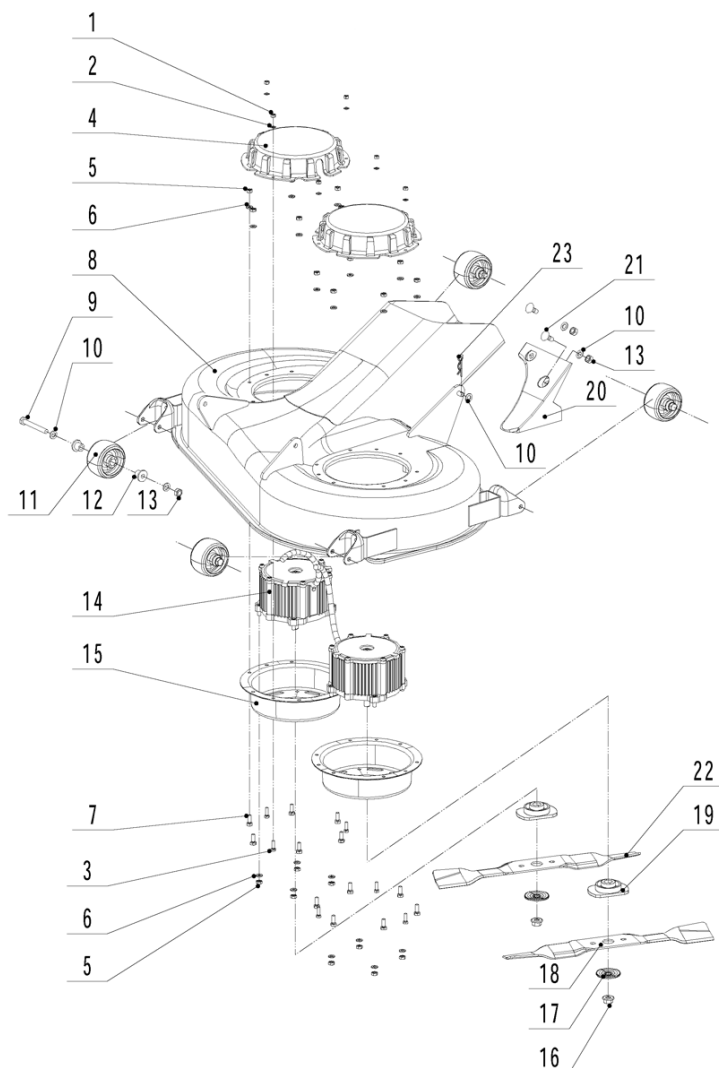
No.	Part number	Description
21	WG76EG08010/02	Limit Block
22	WG0302008000	Plain Washer - M8
23	WG81EL08000/02	Pivot Pin B
24	WG5320333010	Spring Clip
25	WG81EL09000/22	Front Plate
26	WG81EL10000/02	Rod A

# FRONT AXLE



No.	Part number	Description
1	WG0101005012	Bolt - M5x12
2	WG0401005000	Spring Washer - M5
3	WG0301005000	Washer - M5
4	WG76EJ10010/02	Plate
5	WG76EJ01010/02	Axle Pivot
6	WG76EJ11010	Cushion
7	WG0501003022	Cotter Pin 2.5x22
8	WG0301016000	Washer - M16
9	WG76EG01010	Top Bush
10	WG76EJ03000B1/22	Axle Beam
11	WG76EJ04010	Lower Bush
12	WG0302016000	Large Washer
13	WG76EJ05000B1/01	Stub Axle LH
14	WG76EJ06000B1/01	Stub Axle RH
15	WG76EJ09040/02	Dust Cover
16	WG76ELZ011	Wheel Assembly
17	WGERLT011	Tyre
18	WG76EJ20010	Rim Assembly
19	WG6005/2RS	Bearing
20	WG76EJ08010/02	Spacer
21	WG76EJ09000/22	Wheel Rim
22	WG2501006000	Grease Nipple
23	WG0202016000	Lock Nut - M16
24	WG81EM01000	Front Wheel Cover

# DECK ASSEMBLY

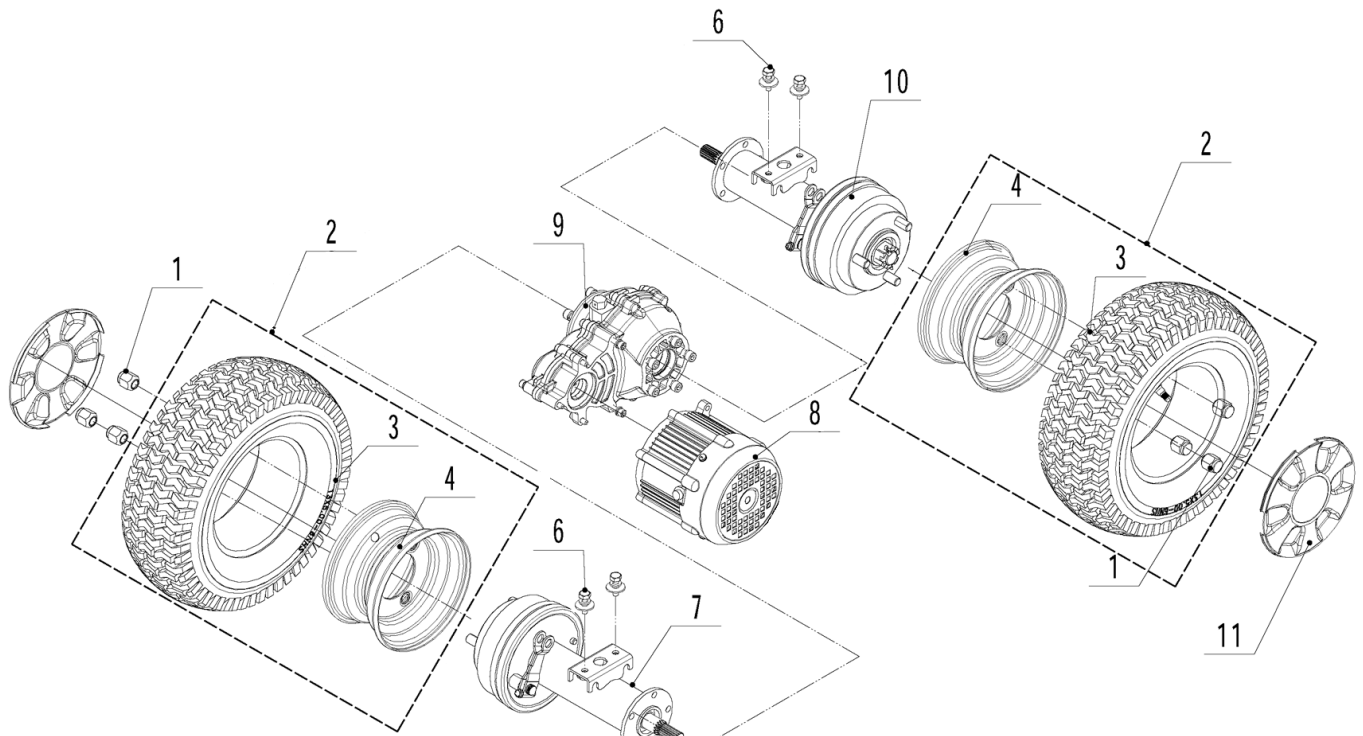


No.	Part number	Description
1	WG0202005000	Nut - M5
2	WG0301005000	Washer - M5
3	WG0101005016	Bolt - M5x16
4	WG76EF01010	Motor Cover
5	WG0202006000	Nut - M6
6	WG0301006000	Washer - M6
7	WG0101006016	Bolt - M6x16
8	WG81EN01000/34	Deck Shell
9	WG0101008065	Bolt - M8x65
10	WG0301008000	Washer - M8
11	WGEM02000003	Anti-Scalp Wheel
12	WGEM02000002	Bush
13	WG0202008000	Nut - M8
14	WG76EN10010B1	Blade Motor
15	WG76EF11010/34	Base Plate
16	WG0204010000	Nut - M10
17	WG5310406010/04	Dome Washer

No.	Part number	Description
18	WG81EF13020/32	Blade LH
19	WG76EF12010	Blade Boss
20	WG81EN02000	Grass Deflector
21	WG0107008020	Bolt - M8x20
22	WG81EF13021/32	Blade RH
23	WG5320333010	Spring Clip

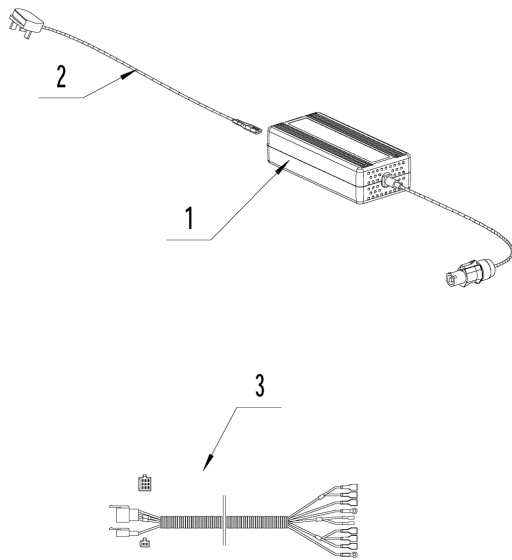


# TRANSMISSION



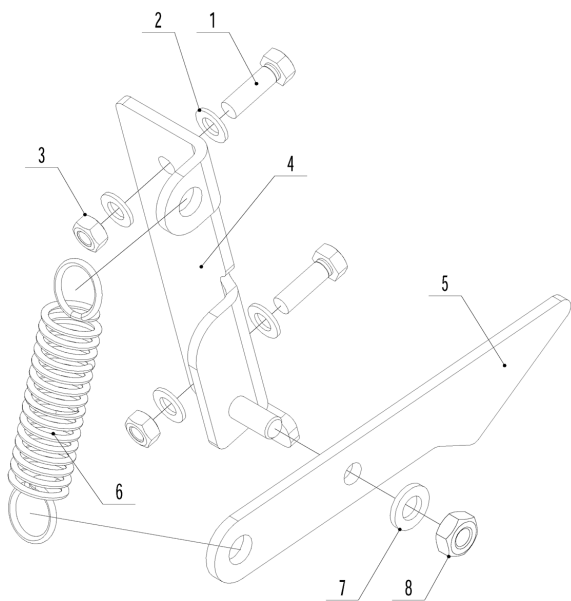
No.	Part number	Description
1	WG0215012000	Wheel Nut
2	WG76ELZ013	Wheel Assembly
3	WGERLT013	Tyre
4	WG76EI01000/22	Wheel Rim
6	WG0118008025	Bolt Assembly - M8x25
7	WG76EI14000	Drive Shaft Assembly RH
8	WG76EN07020B1	Drive Motor
9	WG76EI05010	Gearbox
10	WG76EI15000	Drive Shaft Assembly LH
11	WG81ER01000	Rear Wheel Cover

## CHARGER & WIRING LOOM



No.	Part number	Description
1	WG81EP02000	Charger
2	WG76EK06010	Mains Cable UK
3	WG81EP01000	Wiring Loom

## GRASS COLLECTOR CATCH



No.	Part number	Description
1	WG0101005016	Bolt - M5x16
2	WG0301005000	Washer - M5
3	WG0202005000	Lock Nut - M5
4	WG81EQ01000/02	Hook Bracket
5	WG81EQ02000/02	Frame Hook
6	WG4820114010	Spring for Tensional Arm
7	WG0301006000	Washer - M6
8	WG0202006000	Nut - M6



**WEIBANG**®

Weibang UK  
Murray Way  
Wincanton Business Park  
Wincanton  
Somerset  
BA9 9RS

T: 01963 828066  
W: [www.weibang.co.uk](http://www.weibang.co.uk)