

# WEIBANG®

GARDEN MACHINES

Yangzhou Weibang Garden Machine Company Limited  
Hanjiang Industrial Park, Yangzhou City, Jiangsu  
Province 225127, P. R. China

## Brush Cutter/Field mower

Model Numbers:  
**WBBC7623LC**  
**WBBC8623LC**



### Operator's Manual

(Original instruction)



**DO NOT** operate this equipment until you have read and understood all the enclosed Operator's Manual.  
**READ ALL** the sections in this manual PRIOR to attempting to service, maintain or operate this equipment. !

Fold along dotted line

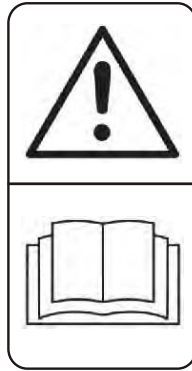
Place  
Stamp  
Here

ATTN: SERVICE DEPARTMENT

Fold along dotted line



M2501010



General hazard safety alert



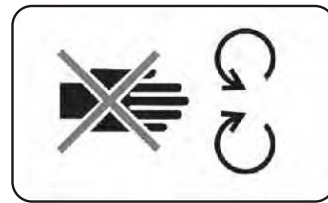
Beware of thrown or flying objects to bystanders.



Beware of sharp blades



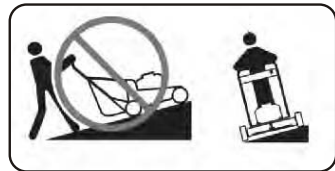
Remove spark plug before maintenance



Caution - Do not touch rotating cutting means



Never operate the lawn mower with discharge chute open



Do not mow excessively steep slopes, mow across the face of slopes, never up and down



Never pick up or carry a lawnmower while the engine is running, Use extreme caution when reversing or pulling the lawnmower towards you.

### Important information



Choke



Engine Start



Engine Stop



Fuel



Oil



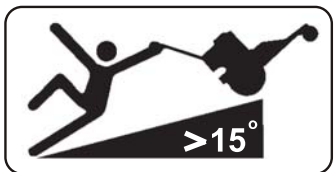
Slow



Fast



Keep hands and feet away.



Do not use this machine on slopes greater than 15°



The guaranteed value is: LWA=105dB(A) WBBC7623LC



The guaranteed value is: LWA=108dB(A) WBBC8623LC



Wear tight-fitting clothing



Wear Safety footwear



Wear Heavy-duty gloves



Wear helmet, eye and ear protection



Wear dust masks

Dear Owner:


Thank you for purchasing the Brush cutter/Field mower. This Velocity machine is built to withstand the toughest conditions when clear large overgrown paths, fields and woodland, which allows you to cut much faster than the usual walk-behind field mower because of its heavy duty steel blade offers a 76 or 86cm cutting. The unit is fitted with a peerless MST manual 4-speed transmission to cope with the demands required when working in tough overgrown uneven terrain.

Please carefully read this Owner's Manual which tells you how to safely and easily assemble, operate and maintain your machine.

Be sure that you and any other user carefully follow the recommended safety practices at all times. Failure to do so could result in personal injury or property damage.

If you have any questions regarding the operation or maintenance of this machine, or desire information not found in this Owner's Manual, contact your local WEIBANG Dealer. If you need help locating a dealer, please contact the WEIBANG Customer Support Department.

Safety Alert Symbol

 This is a safety alert symbol. It is used in this Owner's manual to alert you to potential hazards. Whenever you see this symbol, read and obey the safety message that follows it. Failure to obey the safety message could result in personal injury or property damage.

 **WARNING**

The engine exhaust from this product contains chemicals known to cause cancer, birth defects, or other reproductive harm.

Owner's Record

Please write the Model Number and Serial Number of your machine in the user manual spaces provided. Numbers are printed on a name plate that is attached to the side of the mower deck.

YOU SHOULD RECORD BOTH SERIAL NUMBER AND DATE OF PURCHASE AND KEEP IN A SAFE PLACE FOR FUTURE REFERENCE.

MODEL NUMBER: \_\_\_\_\_

SERIAL NUMBER: \_\_\_\_\_

DEALER NAME: \_\_\_\_\_

DEALER ADDRESS: \_\_\_\_\_

DEALER PHONE: \_\_\_\_\_

DATE PURCHASED: \_\_\_\_\_

## CONTENT

- SAFETY REGULATIONS..... 01**
- I. GENERAL OPERATION.....01**
- II. SLOPE OPERATION.....01**
- III. CHILDREN.....02**
- IV. GENERAL INSTRUCTIONS FOR WORKING WITH YOUR BRUSH CUTTER.....02**
- V. PRODUCT SPECIFICATIONS.....03**
- ASSEMBLY.....04**
- INTRODUCTION.....04**
- ASSEMBLY STEPS.....04**
- OPERATION.....06**
- HOW TO USE YOUR BRUSH CUTTER..... 06**
- MOWING TIPS.....10**
- CUSTOMER RESPONSIBILITIES.....11**
- MAINTENANCE SCHEDULE.....11**
- GENERAL RECOMMENDATIONS.....11**
- UNIT LUBRICATION.....13**
- BLADE CARE.....13**
- WHEEL CARE.....14**
- CLEANING.....14**
- SERVICE AND ADJUSTMENTS.....14**
- BRUSH CUTTER.....14**
- ENGINE.....15**
- STORAGE.....16**
- BRUSH CUTTER.....16**
- ENGINE.....16**
- BATTERY CARE.....17**
- TROUBLESHOOTING POINTS.....18**
- WARRANTY..... 20**

# SAFETY REGULATIONS

## I. GENERAL OPERATION

**⚠ WARNING: This appliance is not intended for use by untrained persons or persons (including children) with reduced physical, sensory or mental capabilities, or lack of experience and knowledge, unless they have been given supervision or instruction concerning use of the appliance by a person responsible for their safety. Children should be supervised to ensure that they do not play with the appliance.**

- Users need adequate training.
- Before starting to use this machine, read, understand and follow all instructions that are provided in this manual. Be thoroughly familiar with the controls and the proper use of the machine before starting operations.

**⚠ WARNING: Do not put your hands or feet near or under rotating parts. Keep clear of the discharge opening at all times.**

- This machine may only be operated by responsible persons, who are familiar with the operating instructions. Never allow children or people unfamiliar with these instructions to use the Brush cutter. Local regulations can restrict the age of the operator.
- To prevent injury, be sure that there are no persons in the immediate area where you are mowing. If any person enters this area, stop the machine by releasing the Traction Drive lever. Never mow while people, especially children, or pets are nearby.
- Keep in mind that the operator or user is responsible for accidents or hazards occurring to other people or their property.

**⚠ CAUTION: Do not operate the cutter when barefoot or while wearing open sandals. Always wear robust footwear when cutting.**

- While cutting, always wear substantial footwear and long trousers. Do not operate the equipment when barefoot or wearing open sandals.
- Do not pull the cutter backwards, unless this is absolutely necessary. Always look down and behind you, before and while cutting backwards. Use extreme caution when reversing or pulling the unit towards you.
- Before operating the cutter, make sure that all protective screens and other protective devices are properly installed. Never operate the cutter with defective guards, or without safety devices.
- Observe the instructions of the manufacturer, for proper operation and installation of accessories. Only those accessories that have been approved by the manufacturer may be used.
- Make sure that the blade(s) of the cutter is (are) not rotating, before crossing gravel drives, walk-

ways or roads.

- Cutting should only be done during daylight or under good artificial lighting.
- Do not operate the machine while under the influence of alcohol or drugs.
- Never operate the cutter in wet grass, where feasible. Always be sure of your footing: Keep a firm hold on the handle and walk; never run.
- Before starting the engine (motor), disengage all blade and self-propelling mechanism or drive clutch on cutters so equipped.
- If the cutter should start to vibrate abnormally, stop the engine (motor) and check immediately for the cause. Vibration is generally a warning of trouble.
- Keep hands and feet away from the enclosure.
- Worn parts should be referred to our repair shop to be replaced. If necessary, contact the service specified address.
- Before using the machine, inspect the machine by visual to determine whether the cutting, fastening bolts and the entire cutter deck worn or damaged. To avoid an imbalance may be, replace worn out or damaged cutting attachment bolts sets.

## II. SLOPE OPERATION

- Slopes are a major factor related to slip and fall accidents, which can result in severe injury. All slopes require extra caution. If you feel uneasy on a slope, do not mow it.
- When operating the Brush cutter over uneven terrain or slopes, use extreme caution not to tip the machine over.

### DO:

- Mow across the face of slopes: never up and down. Exercise extreme caution when changing direction on slopes.
- Remove obstacles such as rocks, tree limbs, etc.
- Watch for holes, ruts, or bumps. Take care of obstacles which hide behind tall grass especially.
- Be very careful of your footing when operating the machine in reverse. Take care what's behind you.
- Disengage the Blade before shifting into reverse. Mow in the Forward gears only, using Reverse for maneuvering.

### DO NOT:

- Do not trim near drop-offs, ditches or embankments. The operator could lose footing or balance.
- Do not trim excessively steep slopes.
- Do not use the Brush cutter on slopes greater than 15 degrees. Doing so could result in serious injury or damage to your machine.
- Do not shift while on a slope, doing so could result in a "free-wheel" condition.
- Never operate on wet or slippery slopes. Reduced footing could cause slipping.

## III. CHILDREN

Tragic accidents can occur if the operator is not alert to the presence of children. Children are often attracted to the machine and the mowing activity. Never assume that children will remain where you last saw them.

- Keep children out of the cutting area and under the watchful care of another responsible adult.
- Be alert and turn machine off if children enter the area.
- Before and while walking backwards, look behind and down for small children.
- Never allow children to operate the machine.
- Use extra care when approaching blind corners, shrubs, trees, or other objects that may obscure vision.

## IV. GENERAL INSTRUCTIONS FOR WORKING WITH YOUR BRUSH CUTTER

- **WARNING-petrol is highly flammable.** Use extra care in handling gasoline and other fuels.

They are flammable and vapors are explosive.

- Store fuel in containers specially designed for this purpose; Use only an approved fuel container.
- Refuel outdoors only and do not smoke while refueling; Never refuel the machine indoors.
- Never store the machine or fuel container near an open flame, such as a water heater
- Add fuel before starting the engine. Never remove the cap of the fuel tank or add petrol while the engine is running or when the engine is hot; Allow the engine to cool before refuelling.
- If petrol is spilled, do not attempt to start the engine but move the machine away from the area of spillage and avoid creating any source of ignition until petrol vapors have dissipated.
- Replace all fuel tanks and container caps securely;
- Do not smoke in the neighbourhood of the mower.
- Replace faulty silencers.
- Clean up any oil or fuel spills.
- Do not start the engine when standing in front of the discharge chute.
- Do not put hands or feet near or under rotating parts. Keep clear of the discharge opening at all times.
- Do not operate the engine in a confined space where dangerous carbon monoxide fumes can collect; Walk never run.
- Always be sure of your footing on slopes.
- Do not change the engine governor settings or over-speed the engine;
- Never make adjustments or repairs with the engine (motor) running. Disconnect the sparkplug wire, and keep the wire away from the plug to prevent accidental starting.
- Check regularly that nuts and bolts, especially blade attachment bolts, are fastened tightly and keep the equipment in a good condition.
- Never tamper with safety devices. Check their proper operation regularly.
- Make sure that grass, leaves or other debris does not collect in the cutter; check regularly and remove

such residues to blocking.

- Stop and inspect your cutter if you strike any object. Repair, if necessary, before restarting.
- Never attempt to make wheel height adjustments while the engine (motor) is running.
- Machine's blades are sharp and can cause injuries. Wrap the blade(s) or wear gloves when handling them, and use extra caution during blade maintenance.
- Be especially careful in case you reverse the cutter or going to use the machine.
- Stop the blade(s) if the cutter has to be tilted for transportation when crossing surfaces other than grass, and when transporting the cutter to and from the area to be mowed.
- Start the engine or switch on the motor carefully according to instructions and with feet well away from the blades.
- Do not tilt the cutter when starting the engine or switching on the motor, except if the Brush cutter has to be tilted for starting. In this case, do not tilt it more than absolutely necessary and lift only the part which is away from the operator.
- Never pick up or carry a cutter while the engine is running.
- Stop the engine and disconnect the spark plug wire.
  - before clearing blockages or unclogging chute.
  - before checking, cleaning or working on the Brush cutter.
  - after striking a foreign object. Inspect the cutter for damage and make repairs before re-starting and operating the cutter;
- If cutter starts to vibrate abnormally (check immediately).
- Stop the engine:
  - whenever you leave the Brush cutter.
  - before re-fuelling.
- Reduce the throttle setting during engine shut down and, if the engine is provided with a shut-off valve, turn the fuel off at the conclusion of mowing;
- Allow the engine to cool before storing in any enclosure.
- Never store the equipment with petrol in the tank inside a building where fumes can reach an open flame or spark. To reduce the fire hazard, keep the engine, silencer, battery compartment and petrol storage area free of grass, leaves, or excessive grease.
- If the fuel tank has to be drained, this should be done outdoors.

**⚠ WARNING: Engine exhaust gases and some of its constituents, as well as certain other vehicle components contain or emit chemicals, which are known to cause cancer, possible birth defects or harm to the reproductive organs.**

## V. PRODUCT SPECIFICATIONS

Model	WBBC7623LC	WBBC8623LC
Engine model	LONCIN 2P80F	LONCIN 2P80F
Nominal power	17kW/3600min-1	17kW/3600min-1
Cutting width	762mm	864mm
Blade speed	2100min <sup>-1</sup>	2100min <sup>-1</sup>
Chassis	Steel sheet	Steel sheet
Moving type	Self-propelled	Self-propelled
Driving speed	F1: 0.48m/S, F2: 0.932m/S, F3: 1.392m/S, Revers: 0.609m/S	F1: 0.48m/S, F2: 0.932m/S, F3: 1.392m/S, Revers: 0.609m/S
Cutting Height	91.6-126.8-162.2-197.1 mm	87-114.3-144.6-176.4 mm
Fuel tank capacity	15 L	15 L
Wheel size	18"( Vacuum tyre )	18"( Vacuum tyre )
Discharge	Rear	Side
Net Weight	189 kg	194.5kg
Sound pressure level (L <sub>PA</sub> ) K=3dB(A)	89.0 dB(A)	91.5 dB(A)
Sound power level (L <sub>WA</sub> ) K=3dB(A)	103.87 dB(A)	106.84 dB(A)
Vibration K=1.5m/s <sup>2</sup>	4.475 / 3.689 m/S <sup>2</sup>	1.884 / 2.202 m/S <sup>2</sup>
Blade type	1392000132	1402000132

**Note:** The Brush cutter's net weight is depending on the different model of engine.

These specifications are provided as a reference, these are familiarized with the cutter. We reserve the right to make technical changes and other without advance notification. It is possible that some details in this manual does not coincide completely with your machine.

We recommend that you write down the serial number and purchase date in your user manual, so that you will always have it at hand.

SERIAL NUMBER \_\_\_\_\_  
DATE OF PURCHASE \_\_\_\_\_  
THE MODEL AND SERIAL NUMBERS WILL BE FOUND ON A DECAL ATTACHED TO THE REAR OF THE BRUSH CUTTER HOUSING.  
YOU SHOULD RECORD BOTH SERIAL NUMBER AND DATE OF PURCHASE AND KEEP IN A SAFE PLACE FOR FUTURE REFERENCE.

**CONGRATULATIONS** on your purchase of a new Brush cutter. It has been designed, engineered and manufactured to give you the best possible dependability and performance.


Should you experience any problem you cannot easily remedy, please contact the nearest authorized service center/department. We have competent, well-trained technicians and the proper tools to service or repair this Brush cutter.

Please read and retain this manual. The instructions will enable you to assemble and maintain your grassland mower properly. Always observe the "SAFETY REGULATIONS "

### PROPER USE

The gasoline Brush cutter is designed for agricultural, forestry and landscaping to cut and /or mulch grass such as high-stemmed weeds or similar plants or scrub and woody vegetation. Any application that is not listed in this guide is prohibited.

The above use and safety instructions must be strictly adhered to. The manufacturer assumes no liability for any damage caused by improper operation, improper use, misuse, unauthorized repairs or alterations performed.

 **Residual risks**  
Even when the power tool is used as prescribed it is not possible to eliminate all residual risk factors. The following hazards may arise in connection with the power tool's construction and design:  
1. Damage to lungs if an effective dust mask is not worn.  
2. Damage to hearing if effective hearing protection is not worn.  
3. Damages to health resulting from vibration emission if the power tool is being used over longer period of time or not adequately managed and properly maintained.

## CUSTOMER RESPONSIBILITIES

- Read and observe the safety regulations contained in this manual.
- Follow a regular schedule for maintaining, caring for and using your grassland mower.
- Follow the instructions in the "Customer responsibilities" and "Storage" sections of this owner's manual.
- Remember that the operator is responsible for accidents with other persons or their property.

## SERIAL NUMBER AND ORDER NUMBER

A Serial Number is used to identify your machine and is located on the Serial Number Label on your machine. An Order Number is used to check and maintain your order history and is located on your packing slip, For your convenience and ready reference, enter the Serial Number and Order Number in the space provided on the front cover of this manual.

## ASSEMBLY

### WARNING

To prevent personal injury or property damage, do not attempt to start the engine until all assembly steps are complete and you have read and understand the safety, controls and operating instructions in this manual.

### INTRODUCTION

Please carefully follow these assembly steps to properly prepare your machine for use. We recommend that you read this Section in its entirety before beginning assembly.

Your new Brush cutter has been assembled at the factory with the exception of those parts left un-assembled for shipping purposes. All parts such as nuts, washers, bolts, etc., necessary to complete the assembly have been placed in the parts bag.

To ensure safe and proper operation of your Brush cutter, all parts and hardware you assemble must be tightened securely. Use the correct tools as necessary to ensure proper tightness.


**NOTE: All references to left, right, front and rear of the machine are determined by standing behind the handlebars and facing the direction of forward travel.**

### INSPECTION AFTER DELIVERY

When unpacking the machine, inspect for shipping damage or missing parts. If you find any damage, or if parts are missing, notify the Weibang Dealer who sold you the machine.

### TOOLS/MATERIALS NEEDED:

Wire Cutter  
Standard Wrench Sets  
Scissors or Pen Knife  
Needle-nose Pliers  
Motor Oil  
Tire Gauge

 **WARNING: The safety position of starting engine is at the back of upper handle. It is danger to starting engine away from the safety position, which will lead to the risk of feet hurting.**

 **CAUTION: Wear protective gloves during operation of setting up your Brush cutter.**

### ASSEMBLY STEPS

**IMPORTANT:** THIS BRUSH CUTTER IS SHIPPED WITHOUT OIL OR GASOLINE IN THE ENGINE. MOTOR OIL MUST BE ADDED TO THE ENGINE BEFORE IT IS STARTED. FOLLOW INSTRUCTIONS IN THIS "ASSEMBLY" SECTION.

**CAUTION: Wear protective gloves during operation of setting up your Brush cutter**

#### STEP1: Unpacking brush cutter

**NOTE: LEFT and RIGHT sides of the unit are as viewed from the operator's position behind the handlebars.**

1. Cut plastic banding, open box flaps and remove cardboard liners. Remove any staples securing carton to wood pallet and lift off carton. Cut metal straps securing unit to pallet. Leave unit on pallet during assembly (to safely remove unit from pallet, wait until you have completed assembly steps 1-4).
2. Remove hardware bag and check contents against illustrated parts list on next page.
3. Remove any protective packaging from around the handlebars.
4. Check for any small parts before discarding the carton or cardboard liners.

#### STEP2: Attach cutting means deck to the power unit

1. Cut harness and remove Detent Pin and Collar from Power Unit (Figure 1).
2. Slide the Power Unit's pivot axle into the pivot Bracket, install the lock Collar and Detent Pin.
3. Remove the Belt from the Product Package.
4. Insert the belt over the Tensioner Spring and through the inside of the Deck Pivot Bracket.
5. Wrap the Belt around the Clutch Pulley under the Power Unit.
6. Start the Belt into the groove of the Deck Pulley and turn the Pulley as you guide the Belt around and into the Pulley groove.
7. Install the Belt cover that was shipped with the machine and secure with the tool from the product package.

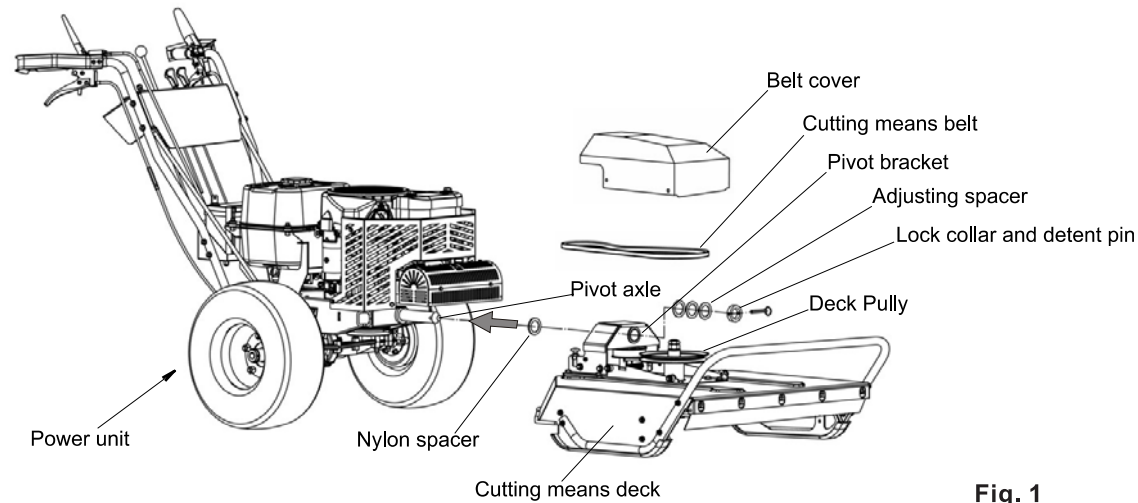


Fig. 1

**CAUTION:** Your hands could get pinched when installing the Belt onto the Deck Pulley. Wear Gloves to prevent injury.

**STEP3: Electric Start System**

**A. Attach Wire Leads to Battery**

1. The battery is located at the rear of engine.
2. At the lower end of the electrical wiring harness, locate a red wire lead and a black wire lead.
  - Plug terminal on red (positive) wire into red terminal (U, Figure 2) on battery.
  - Plug terminal on black (negative) wire into black terminal (V)
  - Fasten all fastener of both terminals with 10mm wrench.

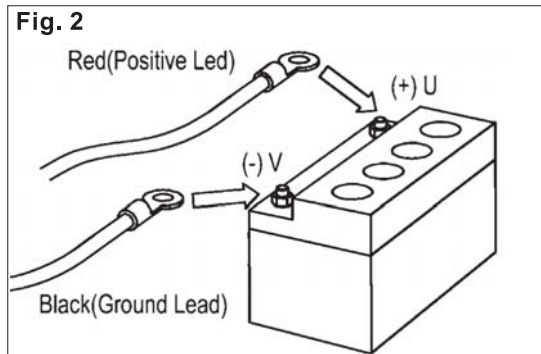


Fig. 2

**B. Charge the Battery**

Charge a new battery for 24-48 hours to ensure a full charge. If the cutter must be used immediately, the battery may have enough of a charge to start the engine.

**NOTE:** Charge the battery after the initial use of the cutter to help ensure it is fully charged.

**CAUTION**

If battery is removed, do not operate engine without insulating positive(+) battery cable terminal with electrical tape or sparking from battery cells can result.

**WARNING**

Charge battery only with charger supplied with machine. Do not short circuit battery wires. Remove any jewelry before working on or near the battery or electric start system. Failure to follow these instructions could result in personal injury or property damage.

**OPERATION**

These symbols may appear on your brush cutter or in literature supplied with the product. Learn and understand their meaning.



Fig.3

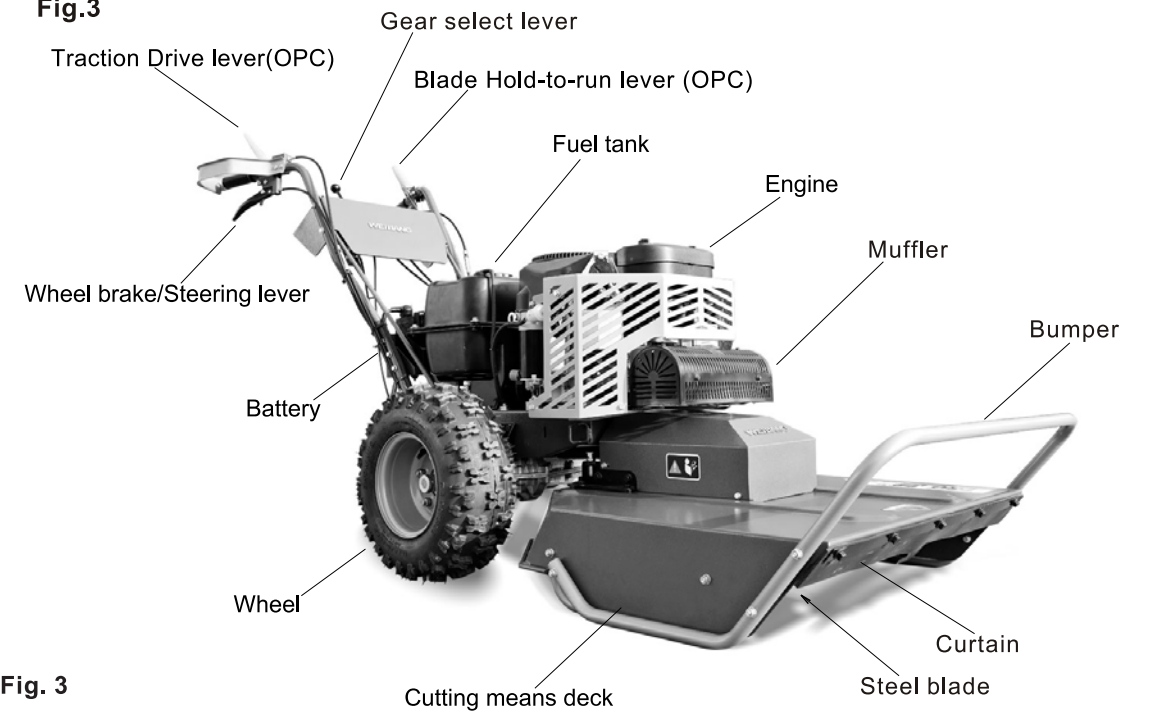


Fig. 3

**TRACTION DRIVE LEVER-**Used to engage power-propelled forward motion of Brush cutter.

**GEAR SELECT LEVER-** Shift to neutral position for starting the engine.

**BLADE HOLD-TO-RUN LEVER-** must be hold down to the handle before engage the blade. Release for cutting means stopping and meanwhile brake the blade.

**WARNING:** The operation of brush cutter may result in foreign objects thrown into the eyes, which can result in severe eye damage. Always wear safety glasses or eye shields while operating your Brush cutter or performing any adjustments or repairs. We recommend wide vision safety mask over spectacles or standard safety glasses.

**HOW TO USE YOUR BRUSH CUTTER ENGINE CONTROL ZONE**

● Your Brush cutter is equipped with two operator presence control levers which requires the operator to be positioned behind the mower handle bar to engage the blade and operate the unit cutting brush.

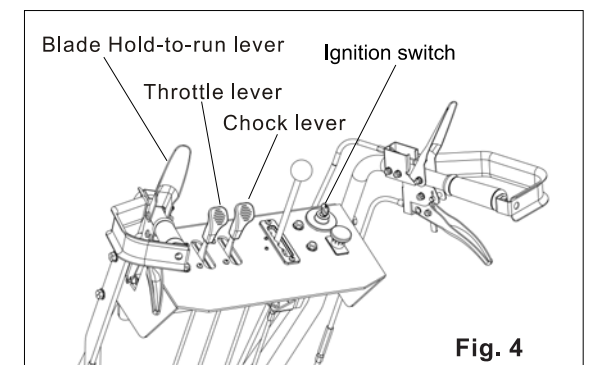


Fig. 4

**TO OPERATE DRIVE SYSTEM(See Fig.5)**

● To start forward motion, press Traction Drive lever down to handlebar grip.

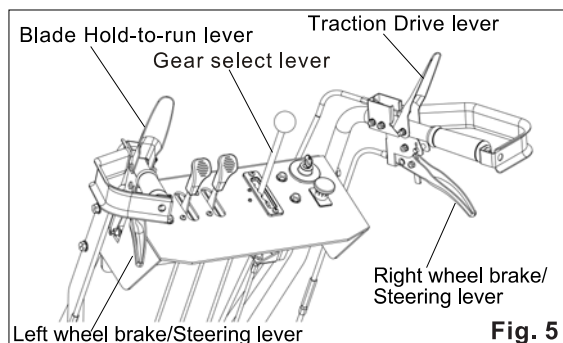
● To stop forward motion, release the traction lever.

**IMPORTANT :** ALWAYS KEEP TRACTION DRIVE LEVER FULLY ENGAGED AGAINST HANDLEBAR GRIP WHEN IN USE.

## ADJUSTING THE DRIVE SPEED (See Fig.5)

**NOTE: The speed may only be adjusted when the engine is running in order to avoid damage!**

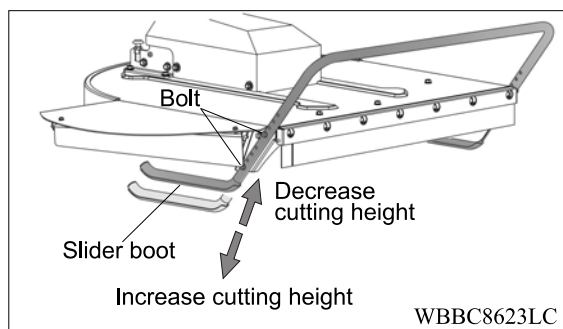
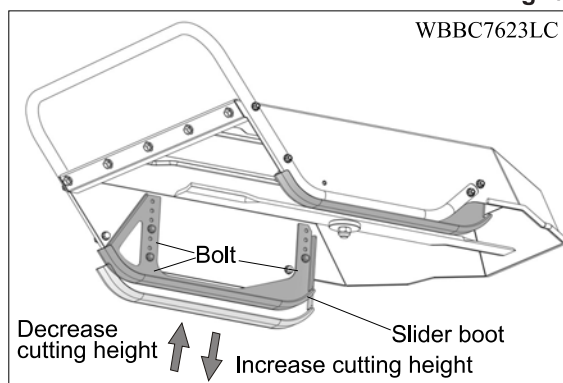
- The driving speed can be easily shift by using the adjustment lever mounted on the operation console.
- First shift the Gear Select Lever slightly to the desired speed. The lever automatically clicks back into the nearest new position.
- Position "rabbit" =fast(max.speed)
- Position "tortoise" =slow (min.speed)



## ADJUSTING THE CUTTING HEIGHT (See Fig. 6)

- Never adjust the cutting height with the motor still running.
- The brush cutter is adjusted to one cutting height upon delivery.
- You can change the installing position of slider boot to get desired cutting height to fit different terrain.
- For WBBC7623LC, Unscrew 3 bolts and nuts of each slider boot, reinstall the slider boots on both sides to desired position. Fasten all bolts and nuts.
- For WBBC8623LC, Unscrew all 4 bolts and nuts of whole slider boot and bumper, reinstall the bumper to desired position. Fasten all bolts and nuts.

Fig. 6



**WARNING: The brush cutter can only be used on level grassland if the lowest cutting height is being used.**

## ADD OIL

Your brush cutter is shipped without oil in the engine. Engine holds approximately 2.4L refer to engine manufacturers specifications in engine hand book. For type and grade of oil to use, see "ENGINE" in Customer Responsibilities section of this manual.

1. Be sure brush cutter is level and area around oil fill is clean.

2. Remove engine oil cap and fill to the full line on the dipstick. Pour oil slowly. Do not over fill.

**NOTE:** Allow oil to settle down into engine for accurate reading. To read proper level, tighten engine oil cap, then remove it to read the dipstick.

3. Reinstall engine oil cap and tighten.

- Check oil level before each use. Add oil if needed. Fill to full line on dipstick.
- Change the oil after every 25 hours of operation or each season. You may need to change the oil more often under dusty, dirty conditions.

## ADD GASOLINE

**NOTE:** Before filling fuel tank, remove and discard the debris plug that is inside the tank.

Fill fuel tank. Use fresh, clean, regular unleaded gasoline with a minimum of 87 octants. Do not mix oil with gasoline. Purchase fuel in quantities that can be used within 30 days to assure fuel freshness.



**WARNING: Experience indicates that alcohol blended fuels (called gasohol or using ethanol or methanol) can attract moisture which leads to separation and formation of acids during storage. Acidic gas can damage the fuel system of an engine while in storage. To avoid engine problems, the fuel system should be emptied before storage of 30 days or longer. Drain the gas tank, start the engine and let it run until the fuel lines and carburetor are empty. Use fresh fuel next season. See storage instructions for additional information. Never use engine or carburetor cleaner products in the fuel tank or permanent damage may occur.**



**CAUTION: Fill to bottom of gas tank filler neck. Do not overfill. Wipe off any spilled oil or fuel. Do not store, spill or use gasoline near an open flame.**

## CHECK THE TIRE PRESSURE

1. Remove the Valve Stem Protective Cap (Figure 7) and check the tire pressure with a Tire Pressure Gauge.
2. Compare the tire pressure reading from step 1 with

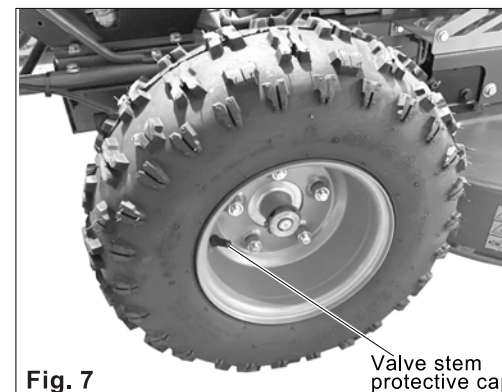
the manufacturer's recommended tire pressure stamped on the side of the tire.

3. If the pressure is too low, add air through the Valve Stem with an air hose.

## WARNING

Do not over inflate the tires. Inflate to the manufacturers recommended pressure found on the tires.

4. Replace the Valve Stem Protective Cap when finished.

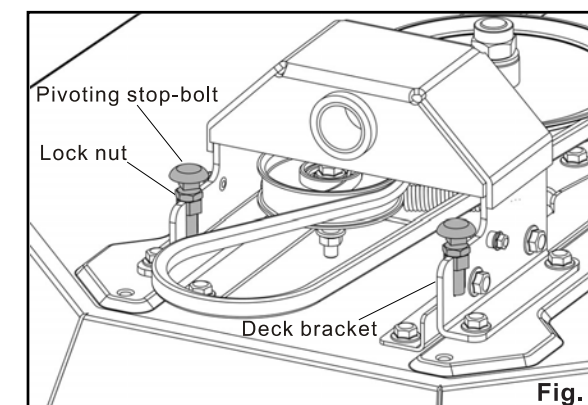


## DECK PIVOT STOP- BOLT ADJUSTMENT

There are two Deck Pivot stop-Bolts on your Brush cutter Deck. The machine should have been shipped with both Bolts in the lowest position (Figure 14). If they are not both in the lowest position, perform the following procedures.

Note: The Stop-Bolts should be adjusted all the way down for easy to moderate mowing, For aggressive mowing see "Cutting Brush and Saplings".

1. Loosen both Locknuts using a 18mm Wench as you hold the square portion of the stop-bolts using a 12mm Wrench(Figure 8). Turn the Locknut up against the Bolt Head.
2. Turn the stop-bolts down using a 12mm Wrench until the threaded end is contacting the Deck Bracket.
3. Turn the Locknut down against Deck Bracket and hold the stop-bolt as you tighten the Locknut.



## WHEEL BRAKE BREAK IN

The Brake Pads and drum need to be broken in (burnished) during the first use to ensure the best performance. Please complete the following steps before using your machine and after you have read through Chapter 3:

## CAUTION

Avoid contact with the Brake drum during and after this procedure because the Brake drums will become very hot and may burn you.

1. Refer to Article "STARTING AND STOPPING THE ENGINE " to start the machine and shift into second gear.
2. Engage the Traction Drive lever to drive the machine forward.
3. Apply both brakes equally with moderate force and hold the brakes on for 30m(100 feet).
4. Release the brakes for 8m(25 feet).
5. Re-Apply both brakes equally with moderate force and hold the brakes on for another 30m(100 feet).

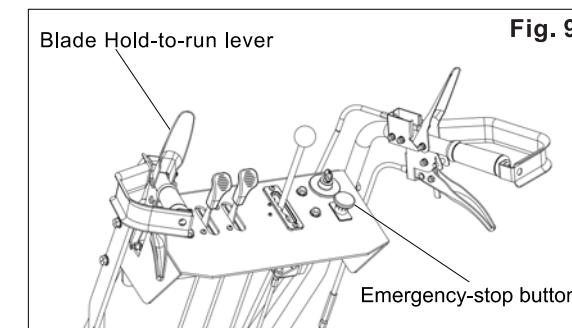
## BALDE CLUTCH BREAK IN

### NOTICE

This machine must have the blade Clutch "Burnished" before initial use to ensure the blade Clutch performs at its full potential. The longevity and efficiency of the Clutch will be compromised without this procedure.

Burnishing the blade clutch before using a new machine will ensure that the optimum engaging and braking action achieved. This procedure should be performed when the Clutch is new and before you use the machine for the first time,

1. The machine must be fully assembled and set up as detailed in this manual before performing the following burnishing procedures. Use these instructions along with the "Starting" and "Operating" sections of your manual.
2. Make sure the Emergency Stop button pulled out, then start the Engine and set the machine to half Throttle.
3. Unlock and Depress the "Blade Hold-to-run lever" to left handle grip to engage the Blade for 2 seconds, disengage and let clutch cool down for 10 seconds.
4. Repeat step 3 for 50 cycles to fully burnish the Clutch.



## STARTING AND STOPPING THE ENGINE

**DANGER: Do not operate the engine in an enclosed area. Engine exhaust contains carbon monoxide, a deadly gas that is odorless, colorless and tasteless. Always run engine outdoors and make sure there is adequate ventilation.**




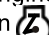

### BEFORE STARTING ENGINE

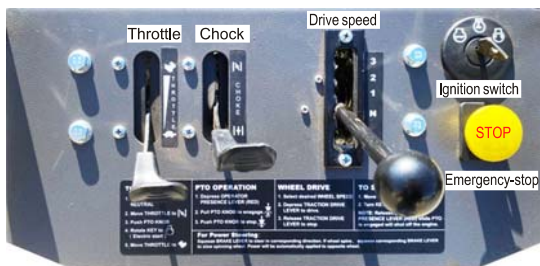
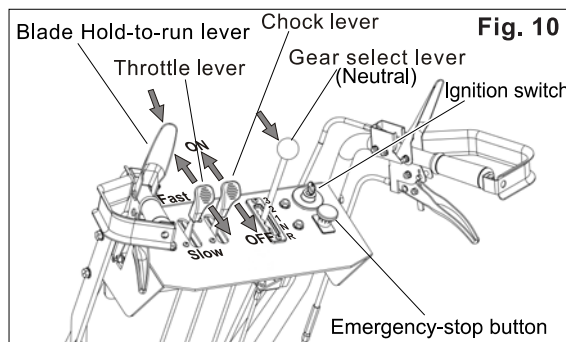
1. Check the Engine Oil level every time before you use the machine.
2. Check the gas level.
3. Ensure that the Fuel Shut-Off Valve located under the Fuel Tank is open.

### ELECTRIC STARTING

1. Stand behind handlebar of machine.
2. Move the gear select Lever to Neutral N (Figure 10).

Note: The gear select Lever must be in Neutral and the red Emergency-stop button pulled out(ON), or the Engine will not start.

3. Make sure the emergency stop button pulled out.
4. Move the CHOKE Lever to  (to  if the Engine is already warm) (Figure 10).
5. Rotate Key to the Start position  until the Engine starts, then release. The Key will return to the Run  position and the Engine will continue to run.
6. Move the CHOKE Lever to .
7. Move the Throttle Lever to the Fast position slowly.




**NOTE:** Due to protective coatings on the engine, a small amount of smoke may be present during the initial use of the product and should be considered normal.

**CAUTION:** If the engine fails to start in 30 second after repeated starting operation by pulling the starter knob, please stop your operation and check the causes. See trouble shooting.

### To stop the engine

#### Stopping the engine during mowing

1. Disengage the Blade by releasing the left Blade Hold-to-run lever (Figure 10)
2. Move the Throttle Control to the IDLE position.
3. Turn the Key to the Stop position  and remove it for safety.

Note: If your machine is equipped with a Fuel Shut-Off Valve, close it when transportinor storing the Mower.

#### Emergency Stopping

Press down the RED mushroom button (Emergency-stop) directly will Stop the engine quickly and then stop blade and all movement of whole unit.

**Tip: Turn The RED mushroom head clockwise to unlock the button and then pull out the button before re-start the engine.**

See the brush cutter instruction manual for starting, procedure and additional safety instructions before using the machine.

### Engaging the Wheel Drive

The BRUSH CUTTER has a three-speed Forward, single speed Reverse Transmission. Speeds are generally used as follows:

- Gear 1: Thick, woody vegetation
- Gear 2: Stalky material or Field Mowing
- Gear 3: Lighter Mowing or Transport mode

Reverse Gear is ideal for maneuvering in tight spots. While transporting the machine in 3rd Gear the Throttle can be used to adjust speed.

When mowing the throttle should always be in the Fast Position

Mowing Speed may impact cutting performance. Mowing in a slower gear will improve cut quality.

For best operator control of the Brush cutter, always select a drive speed that matches the conditions. For example, use a slower speed when operating in wet, heavy growth, slippery, and/or steeply sloped areas.

#### NOTICE

Always release the Traction Drive lever before shifting gears to prevent damage to the Transmission.

1. Move the Gear select lever to the desired gear (Fig. 10).
2. Gently push down the Traction Drive lever to engage the Wheels.
3. Release the Traction Drive lever if you need to slow down or stop.

#### CAUTION

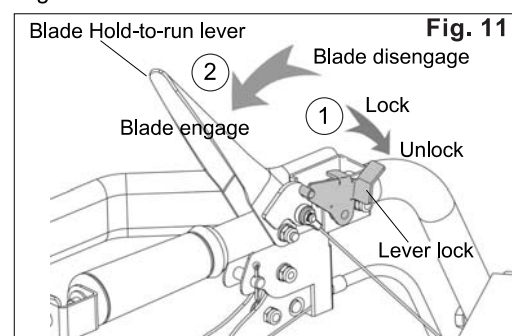
The steering brakes WILL NOT STOP the machine if the machine is in gear and Traction Drive lever is engaged. Note: If you have trouble shifting while on a hill or against an obstacle; Lifting one tire off the ground will release the stress in the drivetrain and ease shifting.

### Engaging and stopping the Blade

1. Push the Lever lock to release the red Blade Hold-to-run Lever and meanwhile depress the Hold-to-run lever to engage the blade. Keep holding the lever against hand-lebar Grip to run the blade continually (Figure 11).
2. Releasing the Blade Hold-to-run lever to disengage the Blade.

#### CAUTION

Always disengage the blade of the Brush cutter before shifting into reverse.



### Operating the Steering Brakes:

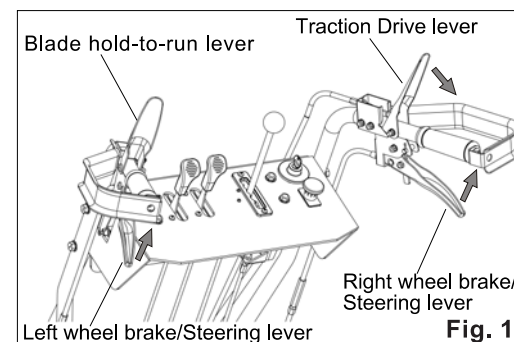
Steering brakes can assist the operator in:

1. Shifting the drive power from one wheel to the other to improve traction.
- The brakes apply a stopping force to the wheel on the same side of the brake lever. For example, when the left lever is squeezed the brake slows or stops the left wheel and transfers transaxle power over to right wheel.
2. Keeping the mower driving straight on side slopes.
3. Turning the machine left or right.

Note: the machine must be driving for the brakes to assist with steering.

Squeezing the Left Brake Lever to Turn the machine to the left. Squeezing the right Brake Lever to Turn the machine to the right.

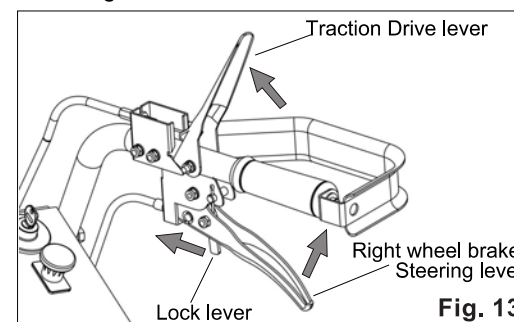
**Note: Try alternating the brakes left and right to maneuver the machine through the obstacle if either of wheels or both are spinning.**



### Braking and Park braking:

- Release the Traction Drive lever and then lift both wheel brake levers to brake the unit (Figure 13)
- Operating Park break as follows:

1. Shift the Wheel Speed Lever to Neutral N (Figure 10)
2. Keep squeezing one of the Brake levers and push the Brake Lock lever forward to set the brake, and then release the brake lever slowly. Now the Brake Lever will stay up when locked properly.
3. Repeat step 2 for the other Brake.
4. Lift brake levers further more and release to undo park braking.



### Obstacle Tips

Dealing with obstacles in the terrain is easy with your new Brush cutter, The following section explains how to approach most common obstacles.

#### WARNING

The cutter's blade can easily throw stones, sticks, and other debris at great velocity, which could cause personal injury or property damage. Do not run the machine over gravel driveways or over loose stones or mulch with the cutter blade spinning.

Always check your work area before mowing and remove any debris that might tangle or damage the machine.

If you do run into debris and the machine becomes tangled, turn off the Engine, allow the engine to cool for 5 minutes and disconnect the Spark Plug wire(s) before attempting to untangle the machine.

### MOWING TIPS

#### Mowing on Slopes

- While cutting on sloped terrain, mow across the face of the slope. Do not cut up and down.
- To avoid excessive speed, shift into a lower gear before going down a slope.

Tip: When mowing on sidehills, feather the uphill brake to get the machine to steep up the hill slightly. This should keep the machine moving in a straighter line without additional operator effort.

If the machine gets hung up

1. Disengage the Blade. Do not try to free the machine from stumps or debris with the Blade engaged
2. Push down on the Handiebars to lift the Mowing Deck over the obstacle
3. Shift the machine in reverse and try backing away from the obstacle

### Cutting

- Under certain conditions, such as very tall weeds, or similar plants or scrub and woody vegetation, it may be necessary to raise the height of cutting to reduce pushing effort and to keep from overloading the engine and leaving clumps of grass clippings. It may also be necessary to reduce ground speed and /or run the mower over the area a second time.
- For extremely heavy cutting, reduce the width of cut by overlapping previously cut path and mow slowly.
- For most high grass cutting conditions, the engine speed should be set in the fast position.

### Cutting Brush and Saplings

#### WARNING

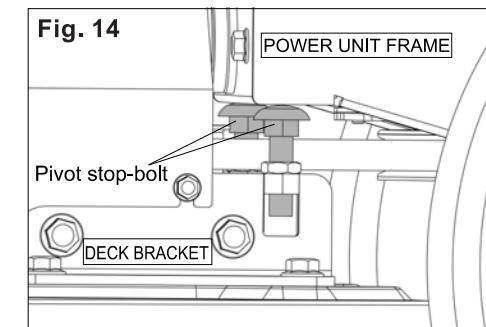
If you need to leave the operating position to clear debris from the deck, stop the engine, wait five minutes to allow all parts to cool. Disconnect the spark plug wire(s), keeping it away from the spark plug(s).

For aggressive cutting (Brush and Saplings) the Deck can be adjusted to held stationary so the Blade cuts with more stability

Note: The Pivoting stop-bolts should be adjusted all the way up for aggressive mowing. The entire machine must be on a flat surface for the following procedures.

#### Adjusting pivot stop-bolt as follows:

1. Loosen both Locknuts using a 18mm Wench as you hold the square portion of the Pivoting stop-bolts using a 12mm Wrench (Figure 14)
2. Turn the Pivoting stop-bolts up using a 12mm Wrench until the round heads are contacting the Deck Bracket.
3. Turn the Locknut down against Deck Bracket and hold the Stop-Bolt as you tighten the Locknut.



- When cutting woody material, smal saplings, etc., allow the machine to ride up and over material slowly. Adjust your forward speed to varying conditions

- After cutting brush, etc., you may want to cut over it again to remove any remaining branches. It works best to cut from the trunk end toward the top as brush lies on the ground.

# CUSTOMER RESPONSIBILITIES

## MAINTENANCE SCHEDULE

FILL IN DATES AS YOU COMPLETE REGULAR SERVICE		BEFORE EACH USE	AFTER EACH USE	EVERY 10 HOURS	EVERY 25 HOURS OR EVERY SEASON	BEFORE STORAGE	SERVICE DATES
B R U S H C T T E R	Check for left OPC switch	✓				✓	
	Check for loose fasteners	✓				✓	
	Check for belt tension	✓				✓	
	Check for wheel brakes	✓				✓	
	Check for tire pressure	✓				✓	
	Check for cable connection				✓	✓	
	Check for blade clutch	✓				✓	
	Replace belt				✓		
	Lubricate cables				✓	✓	
	Lubricate grease fittings				✓	✓	
	Clean Under Drive Cover		✓	✓		✓	
	Clean brush cutter		✓			✓	
	Check/Sharpen/Replace Blade	✓			✓3		
	E N G I N E	Lubrication Chart				✓	✓
Change Engine Oil and filter		First 5 hours			✓		
Check Engine Oil Level		✓1, 2					
Clean engine cooling fins		✓					
Clean Air Filter				✓2			
Inspect Muffler					✓		
Clean or replace Spark Plug					✓ 100 hours		
Replace Air Filter Paper Cartridge					✓		
Replace fuel filter				✓ 100 hours			

1. Change more often when operating under a heavy load or in high ambient temperatures.
2. Service more often when operating in dirty or dusty conditions.
3. Replace blades more often when cutting in sandy soil.

## GENERAL RECOMMENDATIONS

The warranty on this Brush cutter does not cover items that have been subjected to operate or abuse or negligence. To receive full value from the warranty, operator must maintain mower as instructed in this manual. Some adjustments will need to be made periodically to properly maintain your unit. All adjustments in the

Service and Adjustments section of this manual should be checked at least once each season.

- Once a year, replace the spark plug, clean or replace air filter element and check blade for wear. A new spark plug and clean/new air filter element assures proper air-fuel mixture and helps your engine run better and last longer.

- Follow the maintenance schedule in this manual.

**WARNING: MAKE SURE DOING ALL OPERATIONS WHEN THE ENGINE STOPPED.**

## BEFORE EACH USE

1. Check engine oil level.
2. Check for loose fasteners.

## ENGINE

### Replacing Engine Oil and Filter

Note: Drain the oil when the Engine is warm. Warm oil drains quickly and completely

1. Disconnect all wire from spark plug and place wire where it cannot come in contact with spark plug.
2. Position an approved oil container near the Oil Drain Hose.
3. Turn the Oil Drain Cap a quarter turn counterclockwise and open the end of the Drain Hose Assembly.
4. Remove the Oil Drain Hose Assembly from its stowed position and lower the drain end over the Oil Container to drain.
5. If the engine has an oil filter, remove the old Oil Filter with an Oil Filter Wrench and replace with a new Oil Filter as described in the Engine Operator Manual.
6. Replace the Oil Drain Hose Assembly onto the Storage Hook and close the Oil Drain Cap. Replace the Oil as described in Engine Operator Manual.

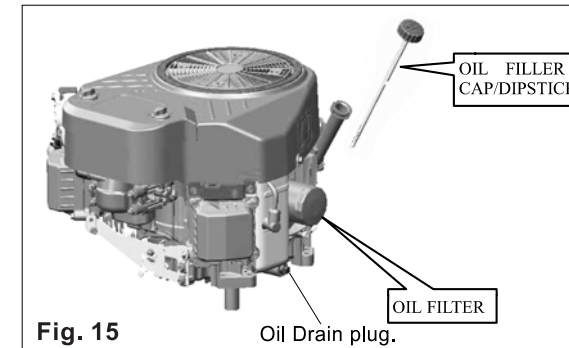


Fig. 15

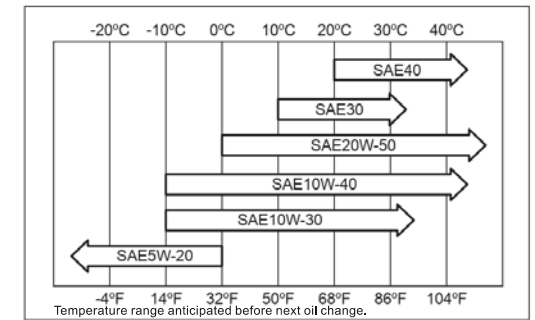
**NOTE:** Although multi-viscosity oils (5W30, 10W30 etc) improve starting in cold weather, these multi-viscosity oils will result in increased oil consumption when used above 32° F. Check your engine oil level more frequently to avoid possible engine damage from running low on oil. Change the oil after every 25 hours of operation or at least once a year if grassland mower is not used for 25 hours in one year. Check the crankcase oil level before starting the engine and after each five (5) hours of continuous use. Tighten oil plug securely each time you check the oil level.

**CAUTION: Disconnect spark plug wire from spark plug and place wire where it cannot come in contact with spark plug.**

## LUBRICATION

Use a high-detergent, premium quality 4-stroke engine oil certified to meet or exceed US. Automobile manufacturers' requirements for API Service Classification: SJ or SL or above. SAE 15W-40 is recommended for general, all temperature use. Other viscosities shown in the chart may be used when the average temperature in your area is within the indicated range.

## LUBRICATION CHART



## MUFFLER

Inspect and replace corroded muffler as it could create a fire hazard and/or damage.

## SPARK PLUG

- After 50 operating hours, clean the spark plug and re-adjust the electrode gap to 0.7–0.8 mm. Only clean the spark plug using a wire brush and wash it out with a commercial cleaning agent.

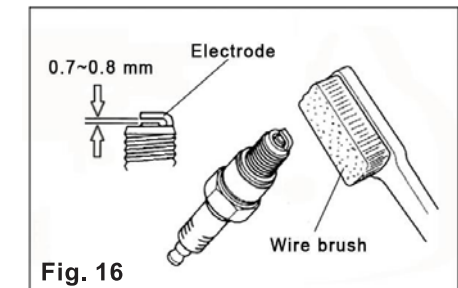


Fig. 16

- Change your spark plug each year to make your engine start easier and run better. Replace the spark plug at 100-hour intervals or when it shows significant wear or if the insulator is damaged.

### Correct spark plug assembly:

Screw the spark plug into the cylinder head by hand. Then continue with a spark plug wrench. Turn wrench by 90° or at a torque of 20–30 Nm.

**IMPORTANT: FOR BEST PERFORMANCE, KEEP BRUSH CUTTER HOUSING FREE OF BUILT-UP GRASS & TRASH. CLEAN THE UNDERSIDE OF YOUR BRUSH CUTTER AFTER EACH USE.**

## AIR FILTER

Your engine will not run properly and may be damaged by using a dirty air filter. Clean the element after every 25 hours of operation, more often if the brush cutter is used in very dusty, dirty conditions.

See the maintenance section of your engine manual.

## AIR CLEANER SERVICE

Improper air cleaner maintenance can cause engine damage. Refer to the Engine Owner's Manual for more complete air cleaner service information.

## SERVICE SCHEDULE:

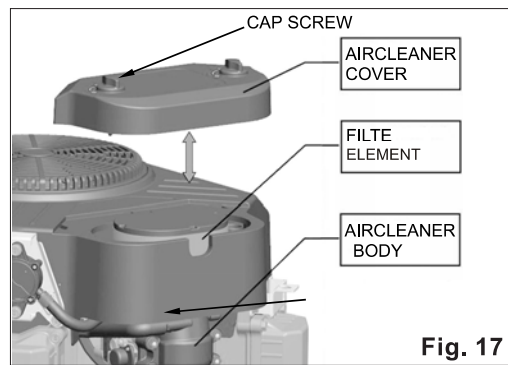
Outer foam pre-cleaner-wash every 25 operating hours or every season, whichever occurs first.



Inner paper cartridge-clean or replace every 100 operating hours or every season, whichever occurs first.

To Service Air Cleaner (Figure 17):

1. Stop engine and wait for parts to stop moving, and disconnect spark plug wire.
2. Turn the cap screws anti-clockwise to unlock, then pull up the Air cleaner cover from cleaner body.
3. Carefully lift paper cartridge and foam pre-cleaner assembly from blower housing. Separate foam pre-cleaner from paper cartridge.
4. Wash foam pre-cleaner in soapy water. Squeeze dry in a clean cloth.
5. Clean base of air cleaner cartridge area carefully to prevent debris from entering engine. Replace paper cartridge, if necessary.
6. Reassemble paper cartridge and foam pre-cleaner into blower housing. Cartridge must fit securely in base.
7. Replace cover to cleaner body, and insure both cap screws inserted the holes of blower housing,
8. Re-lock both cap screws.



## UNIT LUBRICATION

Keep unit well lubricated.

### Cable lubrication

Lubricate the Traction Drive Cable, Drive Speed Shift Cables, Throttle Cable and Brake Cables where the Cable goes into the cable sheath with a Multi-purpose Teflon Aerosol Lubricant

1. Spray the lubricant into the Cable sheath while working the Cable back and forth a few times. Perform this lubrication more often in dry and dusty environments.

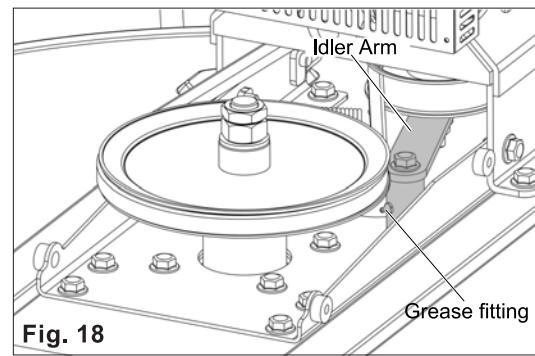
### Idler Arm Lubrication

There is one Grease Fitting below the black Belt Guard to lubricate (Figure 18). With the Blade Belt removed, turn the idler arm to make sure it rotates freely. If resistance is felt when pivoting the arm, lubricate as follows:

1. Remove the bolts and then belt guard from the deck.
2. Locate the Grease Fitting on the idler arm.
3. Using the grease gun add a small amount of grease (1-2 pumps or until slight resistance).

Note: Over greasing may cause grease to leak onto the Drive Belt.

4. Reinstall the Belt (if removed) and Belt Guard.



## REPLACING THE TRACTION DRIVE BELT AND BALDE BELT

If the belt must be replaced, please contact your local dealer or service agent for details and assistant.

Note: Before using your machine for the first time or after you have installed a new Belt, engage the cutting means clutch and Traction drive engage lever 10 times and hold it for 3 seconds each time. This is required to wear in the Belt to ensure the best grip for cutting.

### BLADE CARE

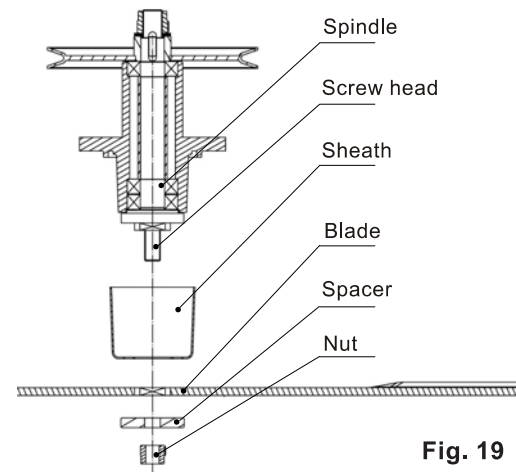
For best results, cutter's blade must be kept sharp. Replace bent or damaged blades.

### REMOVING AND REPLACING BLADE

Replace the Blade when worn or damaged, but do not use it for over five years.

1. Release left Hold-To-Run(OPC) lever on left side and then rotate the switch Key to the OFF position.
  2. Block the Blade with a piece of wood between the Blade and the Skid on the side of the Deck (Figure 19)
  3. Remove the Blade Lock Nut (standard, right-hand thread) and Washer via a 24mm wrench.
  4. Remove blade and attaching hardware.
  5. Mount the new Blade, Washer, and Lock Nut. Block the Blade with the wood between the Blade and the side of the Deck. Tighten the nut clockwise securely (Torque to 100 ft-lbs.). If the Locknut is removed and installed more than once, it should be replaced with a new one.
- NOTE: Be sure to seat the Blade completely over the small ridge in the Spindle Hub before tightening the Lock Nut.

NOTE: Protect your hands with gloves and/or wrap blade with heavy cloth.



**IMPORTANT: BLADE BOLT IS GRADE 10.9 HEAT TREATED.**

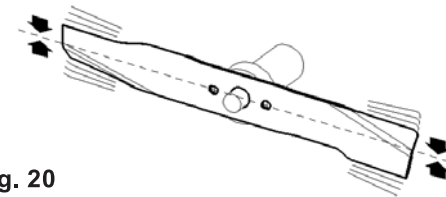
### TO SHARPEN BLADE

NOTE: We do not recommend sharpening blade but if you do, be sure the blade is balanced.

Care should be taken to keep the blade balanced. An unbalanced blade will cause eventual damage to grass-land mower or engine.

- The blade can be sharpened with a file or on a grinding wheel. Do not attempt to sharpen blade while on the mower.

- To check blade balance, drive a nail into a beam or wall. Leave about one inch of the straight nail exposed. Place center hole of blade over the head of the nail. If blade is balanced, it should remain in a horizontal position. If either ends of the blade moves downward, sharpen the heavy end until the blade is balanced.



## WHEEL CARE

### Removing the Wheels

Check rear drive wheels each time you mow to be sure they move freely. If necessary to clean the drive

wheels, check both rear wheels.

1. Loosen the Wheel Nuts a couple of turns with a 19mm socket wrench with the Wheel on the ground.
2. Block the machine so the Wheel you are removing is off the ground.
3. Remove the Five Nuts and slide the Wheel off for maintenance.
4. Reinstall Wheels and finger-tighten the Wheel Nuts before unblocking the machine.
5. Tighten the Wheel Nuts with the Wheel resting on the ground.

### TIRE

- Keep tires free of gasoline, oil, or insect control chemicals which can harm rubber.
- Avoid stumps, stones, deep ruts, sharp objects and other hazards that may cause tire damage.

### CLEANING

1. Clean the underside of brushcutter by scraping to remove build-up of grass and trash.
2. Clean engine often to keep trash from accumulating. A clogged engine runs hotter and shortens engine life.
3. Keep finished surfaces and wheels free of all gasoline, oil, etc.
4. We do not recommend using a garden hose to clean the mower unless the electrical system, muffler, air filter and carburetor are covered to keep water out. Water in engine can result in shortened engine life.

## SERVICE AND ADJUSTMENTS

CAUTION: BEFORE YOU CHANGE SETTINGS OR MAINTENANCE TASKS:

1. Release all OPC Lvers and switch off the engine to stop the brush cutter.
2. Make sure the blade and all moving parts have stopped completely.
3. Disconnect cable from the sparkplug and place where it cannot come in contact with plug.
4. Make sure that all the nuts, bolts and screws are tightened and the device in a safe condition.
5. Let the Brush cutter to cool before using it in a closed area off.
6. In order to avoid the risk of fire, keep motor housing and ventilation openings free of grass, leaves and oil or fat.
7. Replace worn out or damaged parts for security reasons.

## BRUSH CUTTER

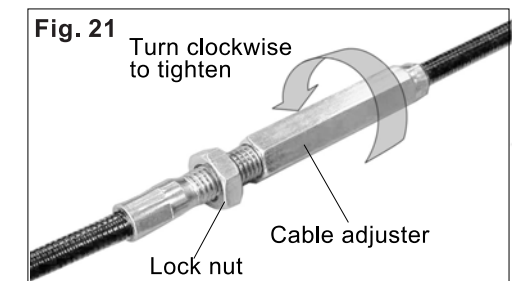
### TO ADJUST CUTTING HEIGHT

See "TO ADJUST CUTTING HEIGHT" in the Operation section of this manual.

### Adjusting the Brake Cables

On each wheel brake cable there is a tool free co-axle Cable adjuster(Figure 21). For most maintenance this adjuster can be unscrewed and turn clockwise to tension the cable. Once the Cable adjuster is close to the end of its thread travel, it is recommended to do a full adjustment. Note: Although not mandatory, it is recommended that the wheel be removed before completing a full adjustment. Contact your local dealer for more details.

1. Loosen the lock nut with a 10mm wrench, then rotating the body of the co-axle Adjuster in the clockwise direction as you lock down on the cable. Retight the lock nut to lock the adjuster body. If the Cable is too tight, you can loosen it by rotating the adjuster in the opposite direction.

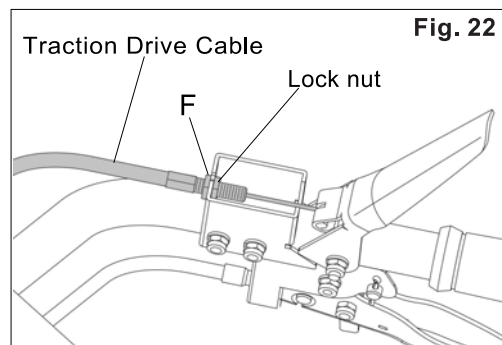


2.If the cable Adjuster is adjusted all the way out and more adjustment is needed, it means Brake shoes need to be replaced.

### Adjusting the Traction Drive Cable

Note: When properly adjusted, tension on the Traction Drive Cable should increase when the Lever is about parallel to (almost touching) the Handlebar Grip.

1. Locate the end of the Traction Drive Cable along the right Handlebar. There are Lock Nuts threaded onto the Cable Threads.
2. Adjust the Lock Nuts F towards the end of the cable to remove slack or towards the cable sheath to loosen the tension of belt clutch in transmission system.
3. Unlock the Lock nut with two 13mm wrenches to adjust the cable and relock cable sheath via the lock nut.

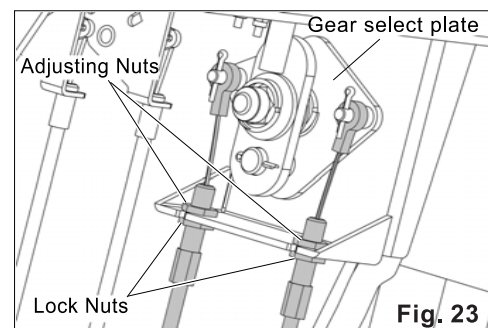


### Adjusting the Drive speed shift Cables

If there is a lot of "play" in the Wheel Speed Lever or if the lever is no longer aligned with the Wheel Speed Label, you may need to adjust the drive speed Cables

1. Locate the drive speed Cable Adjustment Nuts on the drive speed plate end of the cable (Figure 23)
2. Loosen one of the Cable Lock Nuts on the cable with two 13mm Wrenches.
3. Pull down slightly on the cable just enough to pull out the slack and then tighten the Cable Adjustment Nut and lock nut to hold the cable sheath in tension. You may need to tension one cable while loosening the other to realign the Lever.

Note: Do not over tighten the cable. It will create a spongy feel in the Gear select lever.



## ENGINE

### ENGINE SPEED

Your engine speed has been factory set.

If you believe that the engine is running too fast or too slow, take Brush cutter to an authorized service center for repair and adjustment.

### THROTTLE CONTROL

If it becomes necessary to adjust or replace the throttle control, see the adjustment section of your engine manual.

### CARBURETOR

The carburetor is adjusted at the factory. It should not need to be reset. If black exhaust is noted, check the air cleaner first. An over-rich mixture is usually caused by a poorly serviced or clogged air cleaner element, not an improperly adjusted carburetor.

However, minor adjustment may be required to compensate for differences in fuel, temperature, altitude or load. If readjustment is necessary, refer to Engine Owner's Manual for further instruction or contact your local authorized dealer.

- The air filter must be assembled to the carburetor when running engine.

- Best carburetor adjustment is obtained when fuel tank is 1/4 full.

### Recommended Jump Starting Procedure Service Interval: As required

1. Check the weak battery for terminal corrosion (white, green, or blue "snow"), it must be cleaned off prior to jump starting. Clean and tighten connections as necessary.

### CAUTION

**Corrosion or loose connections can cause unwanted electrical voltage spikes at anytime during the jump starting procedure.**

**Do Not attempt to jump start with loose or corroded battery terminals or damage to the engine.**

### DANGER

**Jump starting a weak battery that is cracked, frozen, has low electrolyte level, or an open/shorted battery cell, can cause an explosion resulting in serious personal injury.**

**Do Not jump start a weak battery if these conditions exist.**

2. Make sure the booster is a good and fully charged lead acid battery at 12.6 volts or greater. Use properly sized jumper cables (4 to 6 AWG) with short lengths to reduce voltage drop between systems. Make sure the cables are color coded or labeled for the correct polarity.

### CAUTION

**Connecting the jumper cables incorrectly (wrong polarity) can immediately damage the electrical system.**

**Be certain of battery terminal polarity and jumper cable polarity when hooking up batterie.**

**Note:** The following instructions are adapted from the SAE J1494 Rev. Dec. 2001– Battery Booster Cables – Surface Vehicle Recommended Practice (SAE– Society of Automotive Engineers).

### WARNING

Batterie contain acid and produce explosive gases.

- Shield eyes and face from the batterie at all times.
- Do Not lean over the batterie.

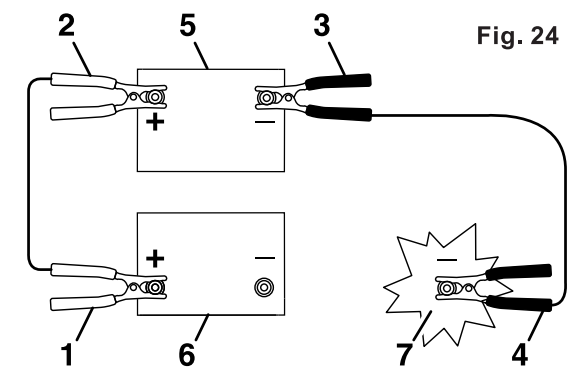
**Note:** Be sure the vent caps are tight and level. Place a damp cloth, if available, over any vent caps on both batteries. Be sure the vehicles do not touch and that both electrical systems are off and at the same rated system voltage. These instructions are for negative ground systems only.

3. Connect the positive (+) cable to the positive (+) terminal of the discharged battery that is wired to the starter or solenoid as shown in Figure 24.

4. Connect the other end of the positive cable to the positive terminal of the booster battery.

5. Connect the black negative (–) cable to the other terminal (negative) of the booster battery.

6. MAKE THE FINAL CONNECTION ON THE ENGINE BLOCK OF THE STALLED VEHICLE (NOT TO THE NEGATIVE POST)AWAY FROM THE BATTERY. STAND BACK (see Figure 24).



1. Positive (+) cable on discharged battery
2. Positive (+) cable on booster battery
3. Negative (–) cable on the booster battery
4. Negative (–) cable on the engine block
5. Booster battery
6. Discharged battery
7. Engine block

7. Start the vehicle and remove the cables in the reverse order of connection (the engine block (black) connection is the first to disconnect).

## STORAGE

Immediately prepare Brush cutter for storage at the end of the season or if the unit will not be used for 30 days or more.

### WARNING

Before performing any maintenance procedure or inspection, stop the engine, wait five (5) minutes to allow all parts to cool and disconnect the spark plug wire, keeping it way from the spark plug.

### BRUSH CUTTER

When brush cutter is to be stored for a period of time, clean it thoroughly, remove all dirt, grease, leaves, etc. Store in a clean, dry area.

1. Clean entire brush cutter (See "CLEANING" in the Customer Responsibilities section of this manual)
2. Lubricate as shown in the Customer Responsibilities section of this manual.
3. Be sure that all nuts, bolts, screws, and pins are securely fastened. Inspect moving parts for damage, breakage and wear. Replace if necessary.
4. Touch up all rusted or chipped paint surfaces; sand lightly before painting.

## ENGINE

### FUEL SYSTEM

**IMPORTANT:** IT IS IMPORTANT TO PREVENT GUM DEPOSITS FROM FORMING IN ESSENTIAL SYSTEM PARTS SUCH AS CARBURETOR, FUEL FILTER, FUEL HOSE, OR TANK DURING STORAGE. ALSO, EXPERIENCE INDICATES THAT ALCOHOL BLENDED

FUELS(CALLED GASOHOL OR USING ETHANOL OR METHANOL) CAN ATTRACT MOISTURE WHICH LEADS TO SEPARATION AND FORMATION OF ACIDS DURING STORAGE. ACIDIC GAS CAN DAMAGE THE FUEL SYSTEM OF AN ENGINE WHILE IN STORAGE.

### End of Season and Storage

Note: Please refer to the Engine Owner's Manual for engine-specific procedures.

- Change the oil(and oil filter, if applicable), For winter use, use SAE 5W-30 HD.
- Remove the Spark plugs and pour about 1 ounce (29ml) of motor oil into the Cylinder hole. Replace the Plug and crank the Engine a couple of times. This will coat the piston(s) and seat the valves to prevent moisture buildup
- Clean/replace the Air Filters.
- Clean dirt and debris from the cylinder head cooling fins, Blow housing, Debris screen, and Muffler area of the engine.
- If your Engine has a Fuel Filter, replace it.
- If your brush cutter will be idle for more than 30 days, we recommend using a gas stabilizer. This will prevent sediment from gumming up the Carburetor. if there is dirt moisture in the gas or Tank, remove it by draining the Tank. Completely fill the Tan with fresh, unleaded gas and add the appropriate amount of stabilizer or gaso-



**IMPROTANT:** NEVER COVER BRUSH CUTTER WHILE ENGINE AND EXHAUST AREAS ARE STILL WARM.

**CAUTION:** Never store the brush cutter with gasoline in the tank inside a building where fumes may reach an open flame or spark. Allow the engine to cool before storing in any enclosure.

line additive. Run the Engine for a short time to allow the additive to circulate. Close the Fuel Shut-Off Valve, if your machine equipped with one, to prevent Carburetor overflow and leakage

**NOTE: Fuel stabilizer is an acceptable alternative in minimizing the formation of fuel gum deposits during storage. Add stabilizer to gasoline in fuel tank or storage container. Always follow the mix ratio found on stabilizer container. Run engine at least 10 minutes after adding stabilizer to allow the stabilizer to reach the carburetor. Do not drain the gas tank and carburetor if using fuel stabilizer.**

● Drain oil (with engine warm) and replace with clean engine oil. (See “ENGINE” in the CUSTOMER RESPONSIBILITIES section of this manual).

● Store the battery in a dry area that will not freeze, if you will not use the machine over a long period, charge the battery every four to six weeks.

● Remove any wrapped weeds from the blade Bearing Housing. Clean grass and debris from the top and underneath the Mower Deck with a stiff brush.

● Check the blade for nicks and wear, Remove the Blade and sharpen, or have it professional sharpened if needed.

● Perform the lubrication at outlined starting on page 19  
Note: For winter use, refer to the attachment instructions.

**OTHER**

● Do not store gasoline from one season to another.

● Replace your gasoline can if your can starts to rust. Rust and /or dirt in your gasoline will cause problems.

● If possible, store your unit indoors and cover it to give protection from dust and dirt.

● Cover your unit with a suitable protective cover that does not retain moisture. Do not use plastic. Plastic cannot breathe which allows condensation to form and will cause your unit to rust.

**BATTERY CARE**

Proper care can extend the life of a Battery. Follow these recommendations to ensure your battery's best performance and long life.

Do not allow the Battery charge to get to low. If the machine is not used, charge the Battery every 4- weeks. Operate the Engine for at least 45 minutes to maintain proper Battery charge.

Store an unused Battery in a dry area that does not freeze. Do not charge an already charged Battery. In theory you can not overcharge the battery with a trickle charger; However when a Battery is fully charged and the charger is still on, it generates heat that could be harmful to the battery. A fully charged battery will read 12V-13.2V with a voltmeter.

Do not continue to crank the Engine when the Battery charge is low

Charging the Battery

Operate the Cutter's Engine for at least 45 minutes to maintain proper Battery charge. If the Battery loses its charge, you will need to use a trickle Charger to recharge

it. The Charger should have an output of 12 volts at no more than 2 amps.

Note: The charging system of a running engine is designed to maintain a battery's present charge. Starting a machine that has a significantly discharged or dead Battery using the Jumper Cables will not recharge the Battery.

To connect a Battery Charger to your brush cutter, follow the steps listed below

1. Detach the two Battery wires going to the Battery on your brush cutter.
2. Attach the black (-) Battery Charger wire to the Battery negative (-) terminal, and attach the red (+) Battery Charger wire to the Battery positive (+) terminal.
3. Plug the Battery Charger into an outlet.
4. Charge until Battery Charger indicates that it is charged or Battery measures to 12-14V

At 1 amp, you may have to charge the Battery for as long as 24 hour and At 2 amps, you may have to charge the Battery for as long as 12 hours.

5. Once Charged, disconnect Charger from outlet
6. Disconnect Battery from the Charger

**Disposing of the Battery Responsibly**

The Battery is a sealed lead-acid Battery. Recycle or dispose of it in an environmentally sound way

● Do not dispose of a lead-acid Battery in a fire; the Battery may explode or leak.

● Do not dispose of a lead-acid Battery in your regular, household trash. Laws in most areas prohibit incinerating, disposing in landfill, or mixing a sealed lead-acid Battery with household trash.

**NOTICE**

Please dispose of used batteries responsibly, according to your local hazardous materials regulations. Never throw away used batteries in your household trash.

**Recycling a Used Battery**

Please dispose of your used Batteries responsibly by recycling them. Call your local Solid Waste Management District or your local waste handler to locate the collection site nearest you.

**TROUBLESHOOTING POINTS**

PROBLEM	CAUSE	CORRECTION
<b>Electric starter can not crank</b>	Fuse broken	Check the fuse located under the console
	Gear select lever is not in (N) position	Shift the lever in (N) position
	Emergency stop button pushed in	Unlock and pull out Emergency stop button
	Battery's voltage too low	Check the battery is more than 12V- Refer to Battery Care Section
<b>Engine Starter Cranks but Engine won't start</b>	Some wire connection is poor contacted	Check to be sure that all of the connections are clean and tight
	1.Dirty air filter	1.Clean/replace air filter
	2.Out of fuel or fuel shut off	2.Fill fuel tank to at least half full and make sure the fuel valve is in the ON position
	3.Stale fuel	3.Drain tank and refill with fresh clean fuel.
	4.Water in fuel	4.Drain fuel tank and carburetor and refill tank with fresh gasoline
	5.Spark plug wire is disconnected.	5.Connect wire to plug
	6.Bad spark plug	6.Replace spark plug
	7.Ambient temperature too low	7.Try starting with the Choke lever in OFF position; if this doesn't work, try the ON position
8.Fuel solenoid switch or fuel pump damage	8.Contact your local dealer for assistant	
<b>The Engine lacks power,vibration or is not running smoothly</b>	1.Throttle Lever in low speed position	1.Check the Throttle Lever travel and adjustment. Make sure the Throttle Lever is in the Run position
	2.Dirty air filter	2.Check that the Air Filter. Clean or change it following the procedure in the Engine Owner's Manual
	3.The Spark Plug(s) may be dirty or cracked	3.Change spark plug. If it's oily, leave it out, hold a rag over the Plug Hole(s) and crank the Engine several times to blow out any oil in the Cylinder(s), then wipe off the Plug(s) and reinsert it
	4.Fuel may be old	4.Change with fresh fuel. Use a fuel stabilizer if fuel stored over one month.
	5.Fuel Filter clogged.	5.Replace with new filter if necessary
	6.Insufficient or too dirty Engine oil	6.Refill or replace with fresh engine oil
	7.Buildup of grass, leaves, and trash under brush cutter	7.Clean underside of brush cutter's housing.
	8.Walking speed too fast.	8.Cut at slower walking speed
<b>Engine smokes</b>	1.Too much oil in engine.	1.Check the oil level and adjust as needed
	2.Unit working on too great incline slope.	2.See "Mowing on Slopes" on Page10
	3.Engine oil in Air Filter	3.Check and clean it or replace if needed
	4.Using wrong engine oil-which does not suit the ambient temperature	4.Refer to your Engine Owner's Manual for detailed information
	5.Cooling Fins too dirty	5.Clean the Cooling Fins if they are dirty or contact your local dealer for assistant.
	6.Insufficient or too dirty Engine oil	6.Refill or replace with fresh engine oil.
	7.Buildup of grass, leaves, and trash under mower	7.Clean underside of brush cutter's housing
	8.Walking speed too fast	8.Cut at slower walking speed
<b>Traction Drive can't Engage</b>	1.The Drive Belt is broken or out of adjustment.	1.Replace with new belt and re-adjust relative cables, contact local dealer
	2.Traction Drive Cable need adjusting	2.Adjust traction drive cable, see Page15

PROBLEM	CAUSE	CORRECTION
<b>Machine is difficult to shift</b>	1.Working on a slope or while pressing against an obstacle.	1.Lifting one tire will relieve any residual load in the driveline
	2.Shift cables may be overly tight.	2.Loosen the cable slightly
<b>Belt frays or rolls over the Pulley</b>	1.Belt over wear or have hard spots.	1.Check and replace the Belt
	2.Belt over stretched	2.Replace with new belt
	3.A Pulley groove may be rusty or have a nick in it	3.Clean the pulley with steel wool or file off any nicks
<b>Excessive vibration when engaging the Blade. Poor cut-uneven</b>	1.Blade over wear, bent or has nicks	1.Check and replace or sharpen and balance the Blade if they become dull or have them professionally sharpened if needed.
	2.Blade have debris wrapped around Blade (wire, etc.)	2.Remove debris from Blade.
	3.The Blade un-properly seated on the adapter's hub	3.Loosen the Blade Nut, reseal the Blade, and tighten the Nut. Be sure to turn OFF the Engine and remove the Spark Plug wire(s) before performing this operation.
	4.Blade fasteners loosen	4.Check and retighten all of the fasteners
	5.Bent engine crankshaft	5.Contact qualified service center
<b>The Blade will not Engage and/or Disengage</b>	1.Blade Hold-To-Run lever switch or clutch relay damage	1.Replace with new one, please contact your local dealer for assistant
	2.Electrical plugs disconnected or poor contacted	2.Check and make sure that all electrical plugs are connected (Both plugs at the control panel and plug to electric clutch)
<b>Wheels pulling left or right</b>	Insufficient tire pressure	Check the Wheel Tire pressures on manufacturer's recommendation marked on the side of the Tires
<b>Bad Brake Performance</b>	1.Cables adjusted improperly or kinked	1.Check and readjust all cables and keep cable not kinked
	2.Wheel brake burnished unproperty	2.Reburnished brakes properly Refer to Page 8 for burnishing procedure
	3.Brake shoes have oil contamination.	3.Clean brakes and reburnish the brake shoes. Replace with new brake shoes in case problem persists
<b>Levers are hard to moved during cold weather operation</b>	Moisture is getting into the Cable housing(s) and freezing.	Push the unit to outdoors and warm up the machine under the sunshine After the ice blockage has thawed, inject SAE 30 oil into the Cable-Housing opening to lubricate the cable(s)

※ 1)Ensure the engine and blades are stopped and the spark plug disconnected before performing any maintenance, do not touch the engine muffler after use at very high temperature.

**ATTENTION:** Before the cutter is stored, make sure the engine cool.

**TRANSPORTATION:**

Turn off the engine. Make sure the blade are not bent or damaged when you are pushing the cutter over obstacles.

## WEIBANG Warranty Statement

WEIBANG GARDEN MACHINE COMPANY LIMITED guarantees all WEIBANG Brush Cutter/Field mower to be free from any manufacturer's defects in material and workmanship for a period of 1 year from the date of purchase. This warranty is exclusive of the engine (please consult the accompanying engine manual with your unit for details), and any normal wear and tear and/or consumable parts, such as, but not limited to blade, spacers, clutch, clutch lining, drive belt, and throttle cable. All normal wear and tear and/or consumable parts are protected from manufacturer's defects in material and workmanship for a period of thirty (30) days from the date of purchase.

**Weibang Warranty Summary**

1. WEIBANG Professional Brush Cutter/Field mower Unit
2. Belt and tire
3. WEIBANG normal wear and tear parts or consumable parts
4. Engine

**Protection**

- 1year parts and labour  
90 days parts and labour  
30 days parts and labour  
Consult with engine manufacturer

To make a warranty claim within this time period, please contact WEIBANG'S local dealer or WEIBANG's exclusive national distributor, who will advise the validity and claim procedure. Once the claim has been accepted, if it is needed, the unit and/or parts should be shipped to the specified Authorized Service Centre at the customer's expense. Be sure to securely pack the unit and parts in a strong container. Damage in transit is not covered by this warranty.

Warranties expressed in this document are void if repairs are attempted by anyone other than an Authorized Service Centre or WEIBANG's exclusive national distributor, or if the unit has been modified from original factory design in any way. This warranty is expressly conditional upon the customer's compliance with all precautions and instructions contained in this manual and excludes any claims made as a result of abuse, neglect, accident, normal wear and tear and misuse. This warranty is nontransferable.

Yangzhou Weibang Garden Machine Company Limited  
Hanjiang Industrial Park  
Yangzhou, Jiangsu, P.R. CHINA

Tel: +86-514-87849959, +86-514-87849975 Fax: +86-514-87849938

Email questions and comments to:

Sale@weibang.com

Visit our website:

www.weibang.com

## EC DECLARATION OF CONFORMITY

Business name of the manufacturer: **Yangzhou Weibang Garden Machine Company Limited**

full address of the manufacturer: **Hanjiang Industrial Park, Yangzhou City,  
Jiangsu Province 225127, P. R. China**

name and address of the person (established in the Community) compiled the technical file:  
**Cristoph Meyer, Bochstraße 1, D23569 Lubeck ,Germany**

We declaring that the machinery

product name: **Motor mower**

commercial name: **Brush Cutter/Field mower**

function: **Service for agriculture and forestry**

model:

WBBC7623LC WBBC8623LC

type: **gasoline powered**

serial no.:

fulfils all the relevant provisions of Directives:

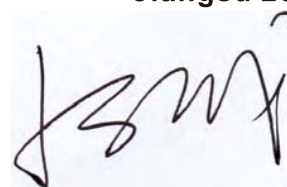
**2006/42/EC, 2014/30/EU**

and tested in accordance with below standards:

**EN 12733**

place and date of the declaration: **Jiangsu 2022-10-18**

signature of the person:



Sucheng Ju (General Manager)

### Packing List

NAME	QTY.	REMARK
Brush Cutter/Field mower	1	
ENGINE OPERATOR'S MANUAL	1	
Brush Cutter/Field mower OPERATOR'S MANUAL	1	

### Record of maintenance/service works

Date	Content	Maintenance Man	Remark

## WEIBANG WARRANTY REGISTRATION

### Dealer keep

Congratulations for choosing an WEIBANG product to meet all your tough jobsite needs! Please file your original bill of purchase for this unit in a safe place. For warranty service of your WEIBANG product, you will need to provide a copy of this document to confirm your warranty status.

Product registration is a key step toward enjoying your new WEIBANG product! While registration is not necessary to enjoy our manufacturer's warranty, there are many benefits to participating in this program. Registration helps to facilitate warranty service, and notify you of any updates, changes, and service advisories on your product. Complete this Warranty Registration Card and fax it to \_\_\_\_\_ or mail it to the address on the back of this card within 14 days.

Data Protection: your data will be held and used by WEIBANG and their authorized dealers for warranty administration and marketing purposes only. WEIBANG will not forward this data to third parties.

If you do not wish to receive marketing information please tick box.

### Warranty Registration Information

#### A. Ownership Information

Owner's Name:			
Owner's Address:			
Post code:		Country:	

#### B. Machine Information

Date of purchased:			
Machine Model:			
Machine Serial No:			

#### C. Product Information Update

Can we contact you with any product-related news?	
Who should we contact?	
Contact Telephone:	
Contact Fax:	
Contact E-Mail:	
What is the preferred contact method?	

#### D. Signature

Dealer name/address	Signature
Customers: My signature hereby confirms that I have received the operating instruction intended for the device, instructions and the device free of obvious defects.	Signature