

WEIBANG[®]

GARDEN MACHINES

Yangzhou Weibang Garden Machine Company Limited
Hanjiang Industrial Park, Yangzhou City, Jiangsu
Province 225127, P. R. China

Power Rake

WB384RB WB384RC

WB486CRB

WB486CRH WB487CRB



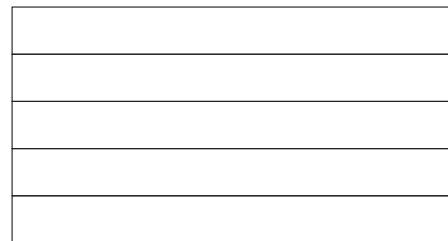
Operator's Manual

(Original instruction)



DO NOT operate this equipment until you have read and understood all the enclosed Operator's Manual.
READ ALL the sections in this manual PRIOR to attempting to service, maintain or operate this equipment. !

Vouw langs de stippellijn



stempel
hier

Tav: service-afdeling

Vouw langs de stippellijn

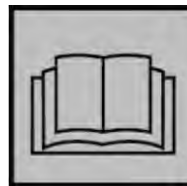
Explanation of symbols on the power rake



General hazard safety alert.



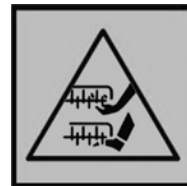
Beware of thrown or flying objects to bystanders.



Read instruction manual.



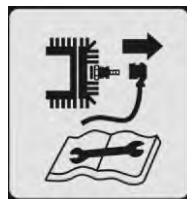
Keep bystanders away from the machine.



Beware of sharp blade(s).
Keep hands and feet out of openings while machine is running.



Wear eye and ear protection.



Remove spark plug before maintenance.



The guaranteed value is : $L_{WA}=99\text{dB(A)}$
WB486CRB WB487CRB WB486CRH



The guaranteed value is : $L_{WA}=98\text{dB(A)}$
WB384RB WB384RC

WEIBANG Power Rake Operator's Manual

Contents

PRE-OPERATION NOTE.....	01
SAFETY PRECAUTIONS.....	02
GUIDE TO PARTS BREAKDOWN.....	05
WB384RB MACHINE PARTS BREAKDOWN.....	06
WB384RBPARTS LIST.....	07
WB487CRB/WB486CRH MACHINE PARTS BREAKDOWN.....	10
WB487CRB/WB486CRH PARTS LIST.....	14
INFORMATION ON SAFETY DECALS.....	16
CONTENTS LIST.....	17
SETTING UP THE POWER RAKE.....	18
PRE-OPERATION PROCEDURES.....	18
OPERATION PROCEDURES.....	19
A. Transporting the Power rake.....	19
B. Preparing to dethatch.....	19
C. Dethatching on Flat Surfaces.....	21
D. Dethatching on Inclined Surfaces.....	22
STORING THE POWER RAKE.....	23
MAINTENANCE PROCEDURES.....	23
A. Inspection Schedule.....	23
B. Preventative Maintenance Procedures.....	24
1. Cleaning the POWER RAKE.....	24
2. Lubrication Schedule.....	24
C. General Service Procedures.....	25
1. Maintaining Flail Blades.....	25
A. Rotating Rotor End to End.....	25
B. Replacing Blade Sets.....	25
2. Replacing Drive V-Belt and Pulley.....	25
TROUBLESHOOTING.....	26
CE DECLARATION.....	27
WARRANTY STATEMENT.....	28
WRARANTY REGISTRATION.....	29



DO NOT operate this equipment until you have read and understood all the enclosed Operator's Manual.
READ ALL the sections in this manual PRIOR to attempting to service, maintain or operate this equipment. !

PRE-OPERATION NOTE

Thank you for your purchase of the WEIBANG Professional POWER RAKE. This power rake has been designed and manufactured to our highest quality demands for durability and performance.

WEIBANG Garden Machine Company limited is committed to offering durable products and quality after-market service. The Professional Power rake is warranted to be free from manufacturer's defects in material and workmanship for a period of one (1) year from the date of purchase. This warranty will be void if the machine has not been operated and maintained in the manner prescribed in this Operator's Manual. Any machine malfunctions, and/or warranty claims that arise from the misinterpretation or the misunderstanding of the instructions and cautions discussed in this booklet will not be eligible for warranty protection.

In order for the power rake to perform at its optimum capabilities, the operator must read this manual thoroughly before using this unit. This Operator's Manual contains important product operation procedures, safety precautions, maintenance and troubleshooting tips as well as other advisories. Please keep this manual nearby when operating the lift as a reference should any questions arise.

The WEIBANG POWER RAKE is a self-propelled power rake designed for dethatching established lawns and large grass covered areas. **DO NOT USE POWER RAKE ON ANY OTHER SURFACE EXCEPT REAL GRASS LAWNS.** The machine should not be used for any other purpose than that stated above. The inappropriate use of any machine can cause serious damage and/or bodily harm to the environment and operator. It is imperative that the operator of this equipment be responsible for the operational environment of the power rake. Please be prepared and well-informed for all specific requirements precautions and work hazards that may and/or do exist at the jobsite.

Powered by a Briggs & Stratton or Honda engine, the POWER RAKE is a powerful unit driving replaceable spring steel flails on a reel for thorough dethatching. For optimum results, ensure that the lawn is mowed to its normal cut height, and allowed to dry before commencing work. Power raking can damage wet grass, particularly young growth. Inspect your jobsite for any debris such as rocks, wiring, string or any other items that can become hazardous during work. Identify and mark all fixed objects to be avoided during work, such as sprinkler heads, water valves, buried cables, or clothes line anchors etc. The jobsite environment, soil conditions, job specifications and operator experience will all be factors that must be considered to select the proper tool for the job. Failure to maintain the power rake in a proper manner will lead to decreased productivity of the tool and hazards to the operator and bystanders. Do not use the machine if it has been modified or improperly maintained.

All jobsites are different. Please ensure that when using the WEIBANG Power rake, all local bylaws and codes are followed. All operators and mechanics of this machine should be trained in general machine use and safety.

Every care and effort has been made to ascertain the accuracy and completeness of procedures described in this document to ensure your enjoyment and satisfaction. If you have any questions or concerns, please contact your local weibang authorized dealer.

PRODUCT SPECIFICATIONS

Model name	WB384RB	WB384RC	WB486CRB	WB486CRH	WB487CRB
Engine model	Briggs&Stratton 750Series	LONCIN G160F	Briggs&Stratton 750Series	HONDA GX160	Briggs&Stratton VANGUARD 6.5
Rake width (mm)	380	380	467	467	467
Rake clearance (mm)	33	33	33	33	33
Height adjustment (mm)	40	40	40	40	40
Max.blade rotation speed (r/m)	1900	1900	1250	1250	1250
Grasscatcher capacity	40L	40L	/	/	/
Dimensions (mm)	1120×570×1070	1120×570×1070	1120×690×1080	1120×690×1080	1120×690×1080
Sound power level (dB)	98dB(A)	98dB(A)	99dB(A)	99dB(A)	99dB(A)
Sound pressure at operator's ear(dB) (K=3dB(A))	88.3	85.9	88.3	88.3	88.3
Vibration (m/s ²): (K=1.5m/s ²)	6.77	6.55	6.77	6.77	6.77
Net weight (kgs)	46	46	55.3	58	58.3

PRE-OPERATION NOTE CONT'D...



Residual risks

Even when the power tool is used as prescribed it is not possible to eliminate all residual risk factors. The following hazards may arise in connection with the power tool's construction and design:

1. Damage to lungs if an effective dust mask is not worn.
2. Damage to hearing if effective hearing protection is not worn.
3. Damages to health resulting from vibration emission if the power tool is being used over longer period of time or not adequately managed and properly maintained.

SAFETY PRECAUTIONS



WARNING: This appliance is not intended for use by persons (including children) with reduced physical, sensory or mental capabilities, or lack of experience and knowledge, unless they have been given supervision or instruction concerning use of the appliance by a person responsible for their safety. Children should be supervised to ensure that they do not play with the appliance.

1. Before starting to use this machine, **READ AND UNDERSTAND OPERATOR'S MANUAL PRIOR TO USE OF POWER RAKE.** Be thoroughly familiar with the controls and the proper use of the machine before starting operations.



WARNING: Do not put your hands or feet near or under rotating parts. Keep clear of the discharge opening at all times.

2. Before operating power rake, ensure that it is structurally and mechanically safe by checking the following:
 - a. Are all engine controls and the clutch action functioning within acceptable tolerances?
 - b. Is the drive belt in good condition?
 - c. Is the protective rubber skirt in place?



If any of the above checks fail, please take necessary steps to maintain or repair the unit before operating it in any environment.

3. Before using the power rake on proposed jobsite, perform the following environmental checks:
 - a. Inspect the entire work area for unexpected buried hazards, such as boulders, foundations, and fencing.
 - b. Clean work area of any litter or debris, such as wire, boards, rocks, or any other potential hazards.
 - c. Know and mark the location of any and all buried utility lines or sprinkler systems. If in doubt, always check with your local utilities provider for survey information and assistance.



Call your local utility company so that they can locate and mark these lines for you. Any cut electrical cable or gas line can result in injury or fatality.

- d. Check for ventilation in area. Do not operate the power rake or run the engine in unventilated areas.

SAFETY PRECAUTIONS CONT'D...

ALWAYS OPERATE POWER RAKE OUTDOORS!!

4. When operating the power rake, follow these guidelines for operator's personal safety:
 - a. Always wear proper safety clothing and equipment for the job. These can and should include eye and ear protection, gloves, dust mask and any other items that are appropriate for the job and jobsite requirements.
 - b. Never wear any jewelry, neck ties, or other loose or hanging items that can be caught on any part of the machine.
 - c. Tie back or remove any loose hair, clothing and any other potential hazards and obstructions.
 - d. Keep all hands, loose clothing, hair, jewelry and all other personal parts and belongings away from moving parts of the machine.
 - e. Avoid coming in contact with the muffler and other engine parts after the engine is started and the time immediately after the machine is turned off. Machine and engine temperatures may exceed 150° or 66°C. Machine must be allowed to cool before touching it or attempting to perform any maintenance!
5. For the safety of others and that of the operator, observe the following precautions:
 - a. Keep observers and bystanders away from the power rake and its immediate working environment (i.e.: the turf that is being dethatched etc.) while the machine is in use.
 - b. Stop operations or if anyone or anything (i.e.: humans, animals, debris etc.) approaches from the front or the sides while the machine is in operation.
 - c. Stop work and turn off the power rake if it hits any debris that jams the machine or causes it to labour unnecessarily. Inspect the power rake and surrounding environment for any possible causes.
 - d. If the machine is jammed, stop the engine and remove the sparkplug wire before attempting to clear any jams in the unit.
 - e. Never leave machine unattended
 - f. DO NOT, under any circumstances, operate machine if any of the following conditions are applicable:
 - i. Any impairment (i.e.: medical conditions, medicinal side-effects, alcohol, drugs etc.) Of the operator.
 - ii. The operator has not read or understood the operator's manual for this machine.
 - iii. The operator does not clearly understand the operations of the machine.
 - iv. The machine is in need of repair
 - v. The operator is inappropriately attired to operate the machine.
6. Due to the nature of the machine and the tasks that it is designed to perform, the power rake may behave in the following manner:
 - a. Always start dethatching a safe distance away from any object such as a fence, foundation or any other structural obstructions. The flails could possibly catch and climb on the object.
 - b. Use extreme caution when operating power rake on uneven terrain. Do not risk the possibility of tipping over the machine or causing it to rollover.

SAVE THESE INSTRUCTIONS!!!

GENERAL INSTRUCTIONS FOR WORKING WITH YOUR POWER RAKE



WARNING

-petrol is highly flammable. Use extra care in handling gasoline and other fuels. They are flammable and vapors are explosive.

- Store fuel in containers specially designed for this purpose; Use only an approved fuel container.
- Refuel outdoors only and do not smoke while refu-eling; Never refuel the machine indoors.
- Never store the machine or fuel container near an open flame, such as a water heater
- Add fuel before starting the engine. Never remove the cap of the fuel tank or add petrol while the engine is running or when the engine is hot; Allow the engine to cool before refuelling.
- If petrol is spilled, do not attempt to start the engine but move the machine away from the area of spillage and avoid creating any source of ignition until petrol vapors have dissipated.
- Replace all fuel tanks and container caps securely;
- Do not smoke in the neighborhood of the mower.

SAFETY PRECAUTIONS CONT'D...

- Replace faulty silencers
- Clean up any oil or fuel spills.
- Do not put hands or feet near or under rotating parts. Keep clear of the discharge opening at all times.
- Do not operate the engine in a confined space where dangerous carbon monoxide fumes can collect; Walk and never run.
- Always be sure of your footing on slopes.
- Do not change the engine governor settings or over-speed the engine;
- Never make adjustments or repairs with the engine (motor) running. Disconnect the sparkplug wire, and keep the wire away from the plug to prevent accidental starting.
- Check regularly that nuts and bolts, especially blade attachment bolts, are fastened tightly and keep the equipment in a good condition.
- Never tamper with safety devices. Check their proper operation regularly.
- Make sure that grass, leaves or other debris does not collect in the rake; check regularly and remove such residues to blocking.
- Stop and inspect your rake if you strike any object. Repair, if necessary, before restarting.
- Never attempt to make wheel height adjustments while the engine (motor) is running.
- Grass catcher components (if equipped) are subject to wear, damage and deterioration, which could expose moving parts or allow objects to be ejected. Frequently check these components and, if necessary, replace damaged components with parts recommended by the manufacturer.
- Stop the blade(s) if the rake has to be tilted for transportation when crossing surfaces other than grass, and when transporting the lawnmower to and from the area to be raked.
- Start the engine or switch on the motor carefully according to instructions and with feet well away from the blades.
- Do not tilt the rake when starting the engine or switching on the motor, except if the rake has to be tilted for starting. In this case, do not tilt it more than absolutely necessary and lift only the part which is away from the operator.
- Never pick up or carry a power rake while the engine is running.
- Stop the engine and disconnect the spark plug wire.
 - Before clearing blockages or unclogging chute.
 - before checking, cleaning or working on the rake.
 - after striking a foreign object, inspect the lawnmower for damage and make repairs before restarting and operating the rake;
 - if rake starts to vibrate abnormally (check immediately).
- Stop the engine:
 - whenever you leave the rake.
 - before refuelling.
- Reduce the throttle setting during engine shut down and, if the engine is provided with a shut-off valve, turn the fuel off at the conclusion of raking;
- Allow the engine to cool before storing in any enclosure
- Never store the equipment with petrol in the tank inside a building where fumes can reach an open flame or spark. To reduce the fire hazard, keep the engine, silencer, battery compartment and petrol storage area free of grass, leaves, or excessive grease.
- Check the grass catcher (is equipped) frequently for wear or deterioration
- If the fuel tank has to be drained, this should be done outdoors.

GUIDE TO PARTS BREAKDOWN

Regular maintenance and parts replacement are important steps to extending the life of your equipment and enjoying its optimum performance. When performing or conducting any maintenance or repairs, always check that your working surroundings are safe and well-ventilated and that the technician is familiar and comfortable with all aspects of the machine and required procedures.

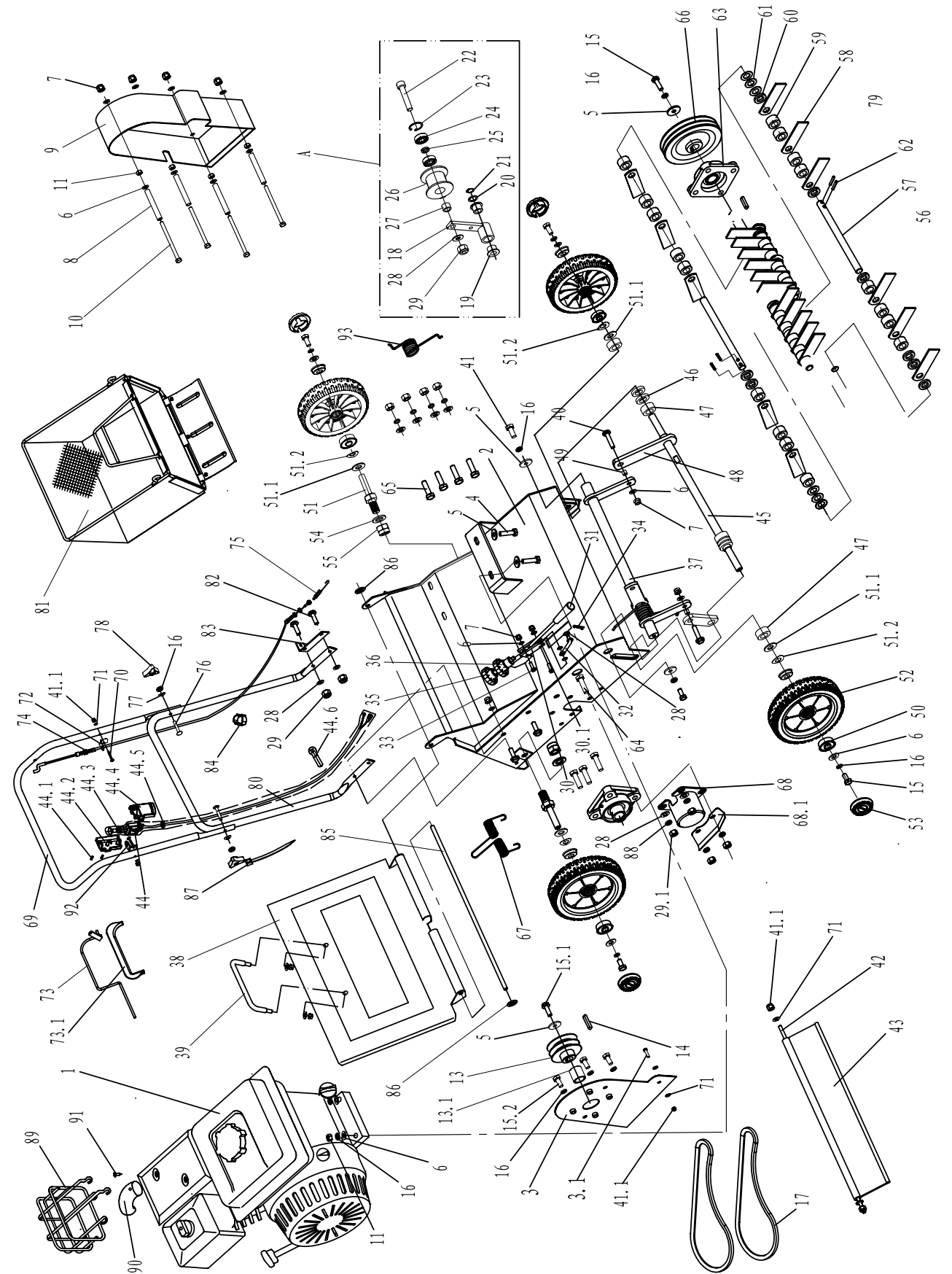
This guide aims to serve as a representational guide to the POWER RAKE. Any other uses or application beyond the scope of this document are strictly prohibited. While every attempt has been made to maintain its accuracy, WEIBANG reserves the right to update and modify the equipment without prior notification. Prior to undertaking to perform any maintenance or repair procedures, please contact our Technical Support Hotline for clarification and to acquire appropriate parts.

To order spare parts, please provide the following information:

1. Machine Make
2. Model Number
3. Machine Serial Number
4. Quantity Required of Each Part
5. Part Numbers
6. Part Descriptions.

All WEIBANG parts are guaranteed by a thirty (30) day warranty against any manufacturer's defects in workmanship and material. Consult page A in the Operator's Manual for further details on our Warranty Policy.

WB384RB/RC MACHINE PARTS BREAKDOWN



WB384RB/RC POWER RAKE PARTS LIST

NO.	WB REF NO.	DESCRIPTION	QTY.
1	B&S750/LONCIN G160F	Engine	1
2	40R0101000/21	Chassis	1
3	40R0118010/21	Engine plate	1
4	O101008045	Bolt	4
5	O303008000	Big washer	8
6	O301008000	Flat washer	12
7	O207008000	Lock nut	10
8	40R0117010/02	Bolt sheath	4
9	48R0108021/21	Belt shield	1
10	0101008100	Bolt	4
11	0201008000	Nut	8
13	40R0133010/04	Pulley	1
13.1	40R0119011/02	Spacer	1
14	1101005000	Key	1
15	0101008015	Bolt	4
15.1	5340113020	Bolt	1
15.2	5340113030	Bolt	4
16	0401008000	Spring washer	17
17	40R0124010	Pulley	1
A	48R0111000	Tensional pulley assembly	1
18	48R0111010/02	Tensional arm	1
19	48R0113010	Nylon bush	2
20	03O1012000	Flat washer	1
21	1001012000	Check ring	1
22	0103010050	Bolt	1
23	0901026000	Check ring	1
24	6000ZZ	Bearing	2
25	51A0126010/02	Bush 1	1
26	51A0125010/02	Tensional pulley	1
27	48R0115010/02	Bush	1
28	0301010000	Flat washer	10
29	0202001000	Lock nut	13
30	40R0131010/21	Adjustment assembly	1
31	46R0137010	Grip	1
32	40R0119050/21	Connecting rod	1
33	0102008035	Bolt	2
34	5320333010	Cotter pin	1
35	46R0138010	Knob	1
36	0201012000	Nut	1
37	40R0119000/22	Rotating arm weld	1
38	40R0114010/22	Rear cover	1
39	4810108002/22	Handle	1
40	0102008025	Bolt	2
41	0101008020	Bolt	2

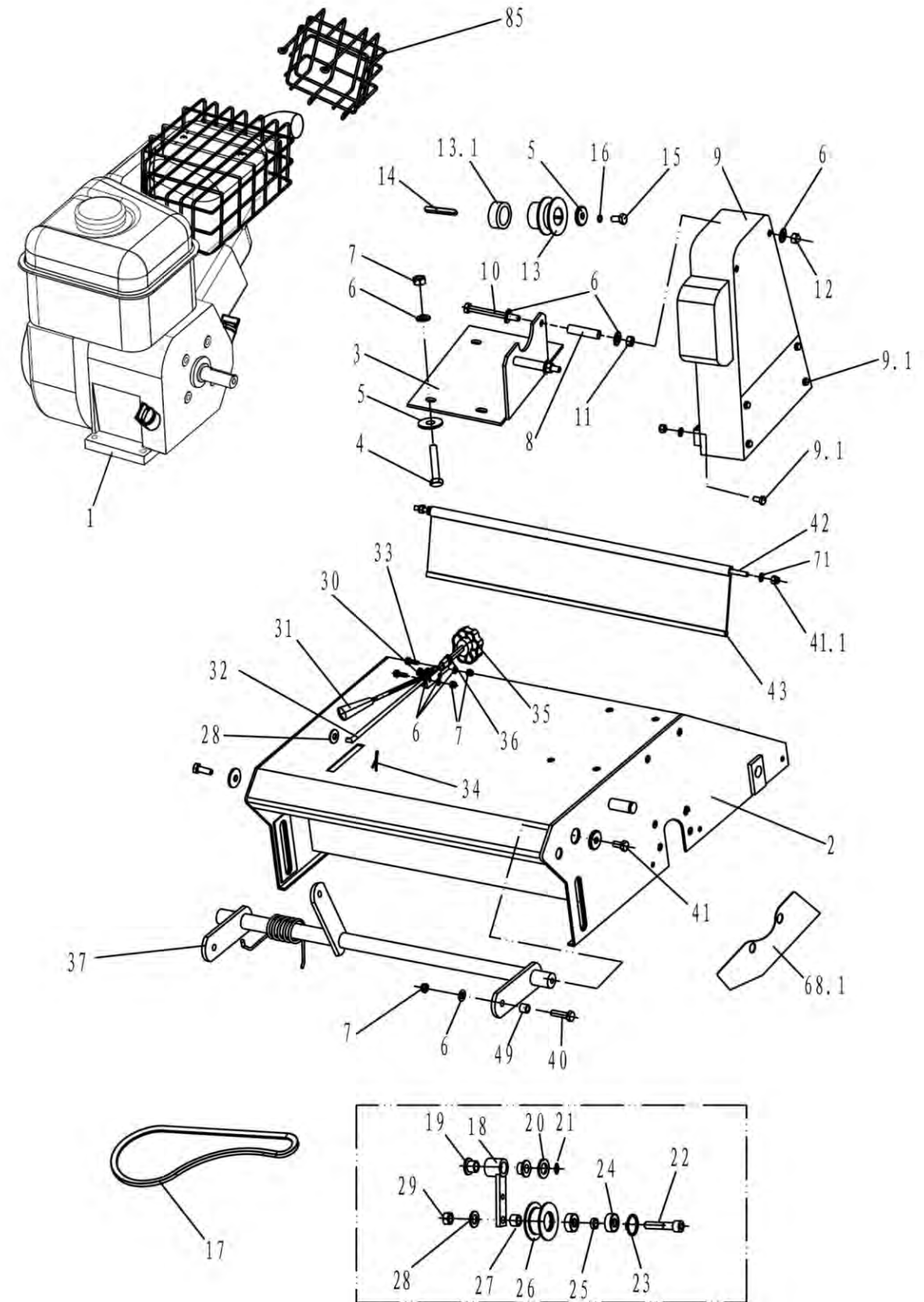
WB384RB/RC POWER RAKE PARTS LIST

NO.	WB REF NO.	DESCRIPTION	QTY.
41.1	0202006000	Lock nut	6
42	5340116010/02	Rear pivot	1
43	5330125010	Rear deflector	1
44	DSZ0000600	Switch	1
44.1	WN1412-KA30x12-Z	Screw	2
44.2	WB/KG04	Bottom cover	1
44.3	WB/KG01	Rubber ring	1
44.4	WB/KG03	Top cover	1
44.5	WB/KG02	Rubber ring	1
44.6	40E0109000	Clip	1
45	40R0301010/01	Front axis	1
46	48R0201030	Spacer	2
47	48R0201040	Spacer 1	2
48	40R0204020/21	Conncting rod	2
49	48R0205010/02	Bush	2
50	5310213010	Bearing	8
51	40R0208020/01	Rear axis	2
51.1	5310210010/02	Spacer	4
51.2	5310211010/04	Spring washer	4
52	5310212010	Wheel	4
53	5310214050	Hub cap	4
54	0301012000	Flat washer	2
55	0202012000	Lock nut	2
56	40R0301020/22	Rotor weldment	1
57	40R0304010/04	Blade pivot	4
58	46R0306010/04	Blade	22
59	48R0306010	Spacer II	34
60	48R0307010	Spacer I	16
61	48R0308010	Nylon spacer	12
62	0701004025	Spring pin	8
63	UELFU204	Bearing assembly	2
64	0101010030	Bolt	4
65	0101010025	Bolt	4
66	40R0134010/04	Big pulley	1
67	40R0115010	Twist spring	1
68	48R0312010	Axle head shield	1
68.1	48R0105020/21	Deflector	1
69	40R0501010/22	Upper handle assembly	1
70	0104006045	Cross slot screw	2
71	0301006000	Flat washer	6
72	48R0404020/02	Upper cable bracket	2
73	40R0502000/22	Clutch handle weldment	1
74	48R0409030	Clutch cable	1
75	48R0408010	Spring	1
76	5310510010/01	Screw	2

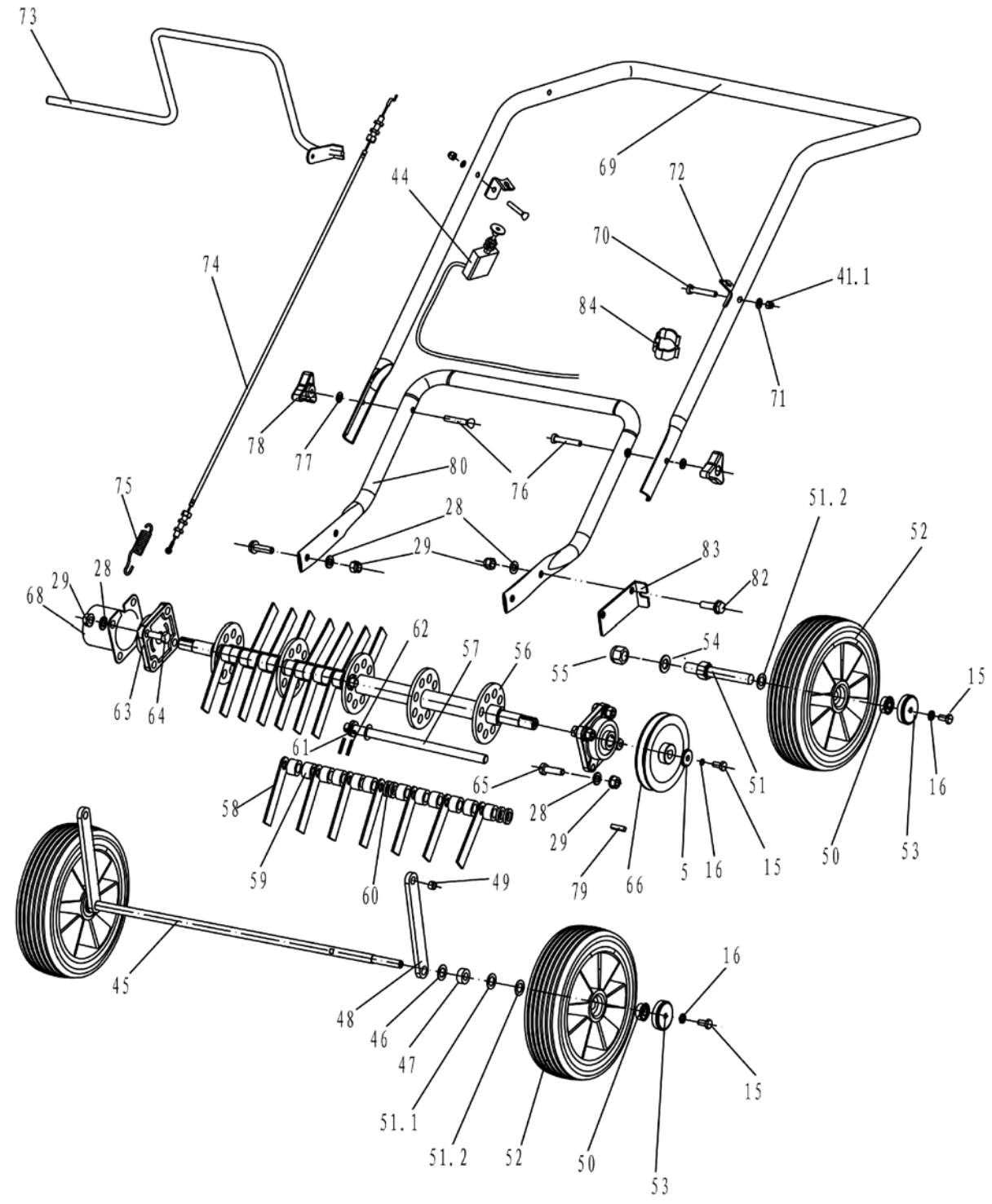
WB384RB/RC POWER RAKE PARTS LIST

NO.	WB REF NO.	DESCRIPTION	QTY.
77	4510510010/01	Arc washer	2
78	4820541010	Knob	2
79	1101006020	Key	1
80	40R0503010/22	Lower handle	1
81	40R0601000	Grass catcher assembly	1
82	0102010025	Bolt	4
83	48R0414010/02	Lower cable bracket	1
84	5320517010	Cable clamp	1
85	40R0116010/02	Cover axle	1
86	4510114030	Lock cap	2
87	5310512010	Tie straps	2
88	0401010000	Spring washer	8
89	40R0119010/02	Muffler net	1
90	WT025000	Elbow	1
91	0106004013	Screw	1
92	40R0502020/22	Switch bracket	1

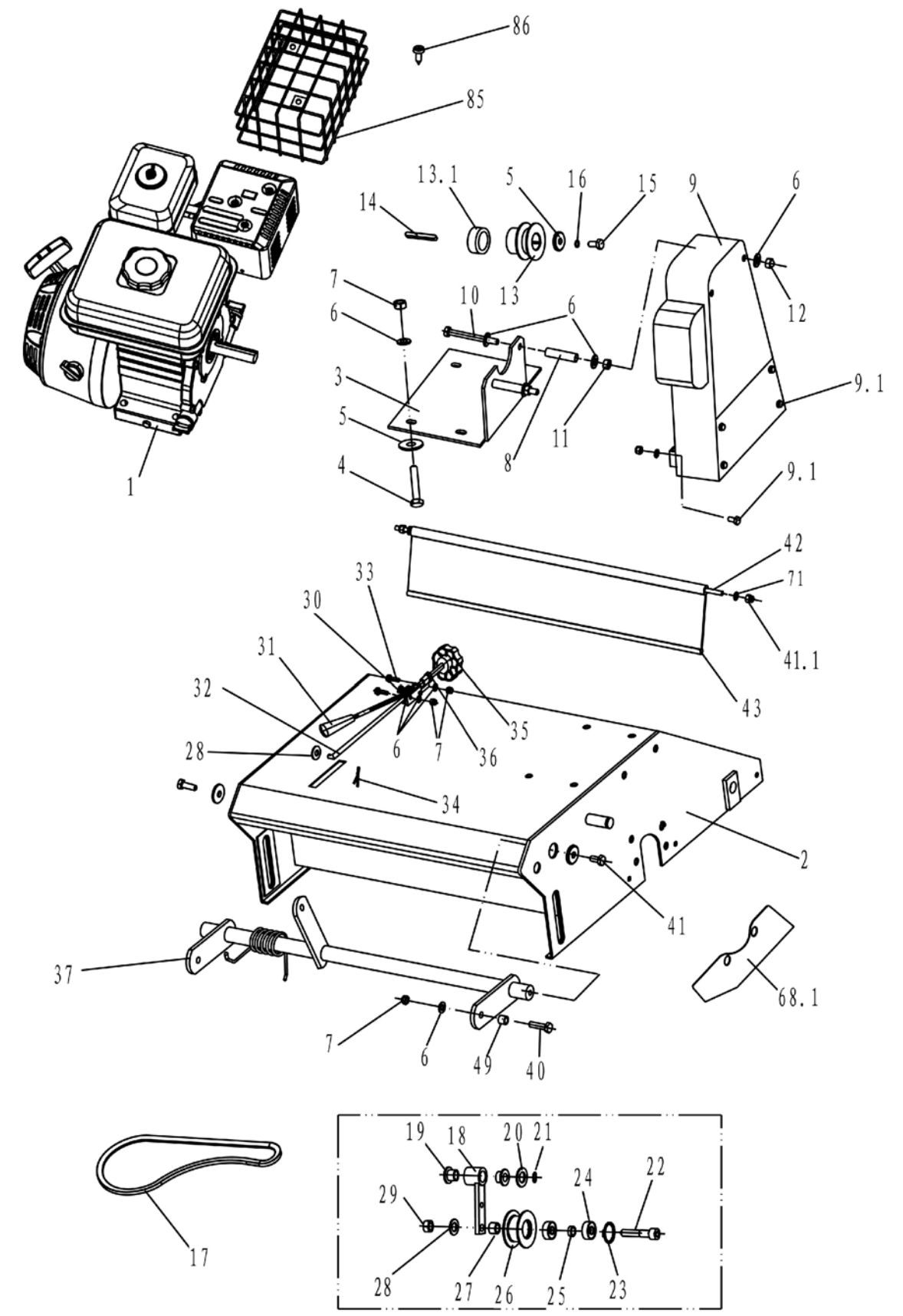
WB487CRB MACHINE PARTS BREAKDOWN



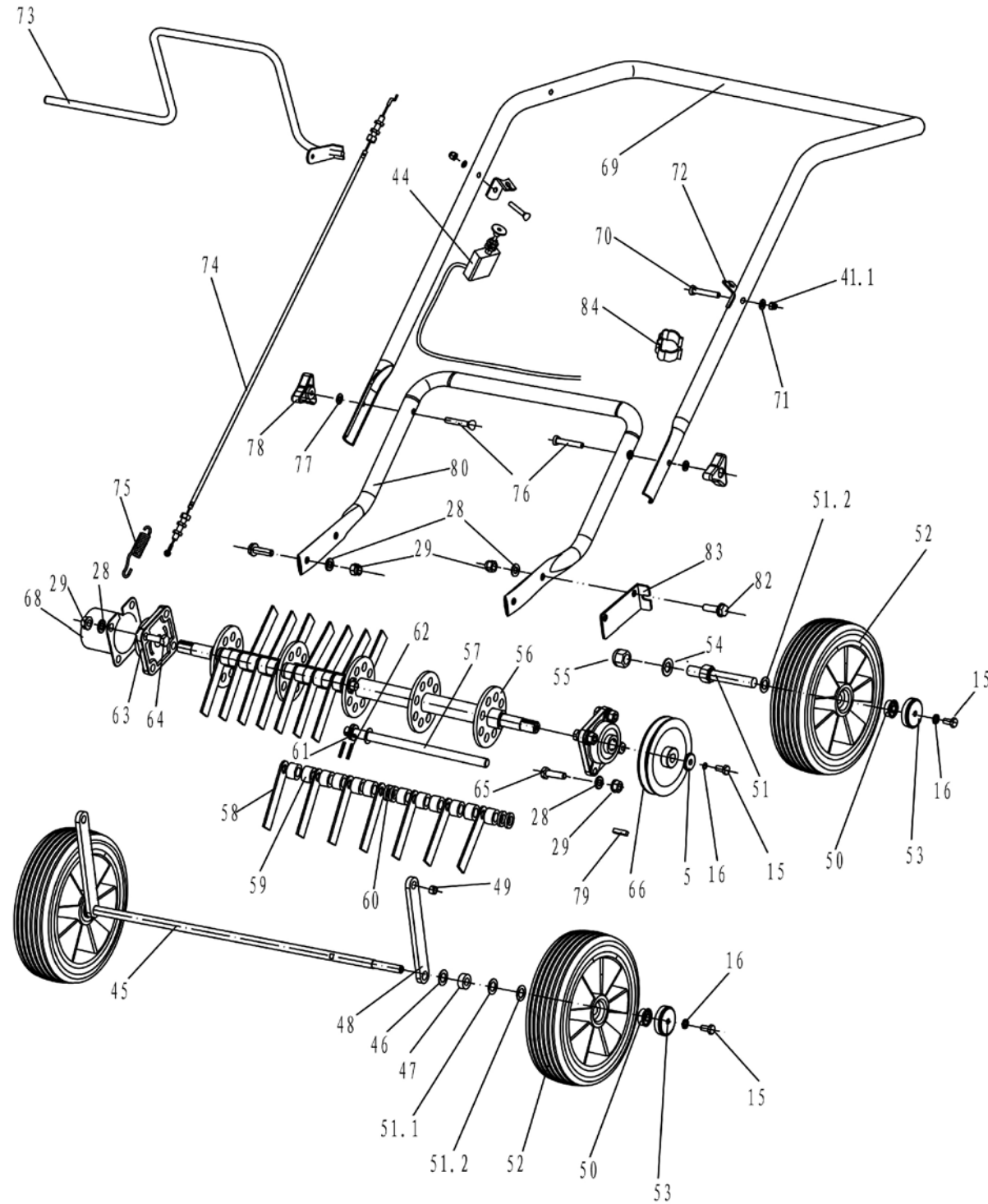
WB487CRB MACHINE PARTS BREAKDOWN



WB486CRB/CRH MACHINE PARTS BREAKDOWN



WB486CRB/CRH MACHINE PARTS BREAKDOWN



WB487CRB/WB486CRB/CRH POWER RAKE PARTS LIST

NO.	WB REF NO.	DESCRIPTION	QTY.
1	B&S VANGUARD6.5	Engine for WB487CRB	1
	HONDAGX160, B&S750	Engine for WB486CRB/CRH	1
2	48R0101030	Chassis	1
3	48R0106020	Spacer	1
4	O101008040	Bolt	4
5	O303008000	Big washer	8
6	O301008000	Flat washer	12
7	O202008000	Lock nut	10
8	48R0107020	Spacer	2
9	48R0108021	Belt shield	1
9.1	O102008020	Hex flange bolt	6
10	O101008080	Bolt	2
11	O201008000	Nut	2
12	O207008000	Cap nut	2
13	48R0119011	Pulley	1
13.1	46R0119011	Spacer	1
14	1101005030	Key	1
15	O101008015	Bolt	6
16	O401008000	Spring washer	6
17	46R0124010	Belt	1
18	48R0111010	Tensional arm	1
19	48R0113010	Nylon bush	2
20	O301012000	Flat washer	1
21	1001012000	Check ring	1
22	O103010050	Inner hex screw	1
23	O901026000	Check ring	1
24	6000Z	Bearing	2
25	51A0126010	Bush	1
26	51A0125010	Tensional pulley	1
27	48R0115010	Bush	1
28	O301010000	Flat washer	10
29	O202001000	Lock nut	13
30	48R0117014	Adjustment assembly	1
31	46R0137010	Grip	1
32	48R0117015	Connecting rod	1
33	O102008035	Hex flange bolt	2
34	5320333010	Cotter pin	1
35	46R0138010	Knob	1
36	O201012000	Nut	1
37	48R0131010	Rotating arm weld	1
40	O102008025	Hex flange bolt	2
41	102008020	Hex flange bolt	2
41.1	202006000	Lock nut	6
42	48R0129010	Deflector pivot	1
43	48R0130010	Deflector	1

WB487CRB/WB486CRB/CRH POWER RAKE PARTS LIST

NO.	WB REF NO.	DESCRIPTION	QTY.
44	DSZ0000600	Switch	1
45	48R0201020	Front axis	1
46	48R0201030	Spacer	2
47	48R0201040	Spacer1	2
48	48R0204020	Connecting rod	2
49	48R0205010	Bush	2
50	5310213010	Bearing	8
51	48R0208030	Rear axis	2
51.1	5310210010	Spacer	2
51.2	5310211010	Spring washer	4
52	48R0210011	Wheel	4
53	48R0210012	Hub cap	4
54	O301016000	Flat washer	2
55	O202016000	Lock nut	2
56	48R0301020	Rotor weldment	1
57	48R0304010	Blade pivot	4
58	46R0306010	Blade	28
59	48R0306010	SpacerII	48
60	48R0307010	SpacerI	14
61	48R0308010	Nylon spacer	12
62	O701004025	Spring pin	8
63	UCF204	Bearing assembly	2
64	O101010030	Bolt	4
65	O101010025	Bolt	4
66	48R0311011	Big pulley	1
68	48R0312010	Axle head shield	1
68.1	48R0105020	Deflector	1
69	48R0401030	Upper handle assembly	1
70	O104006045	Cross slot screw	2
71	O301006000	Flat washer	6
72	48R0404020	Upper cable bracket	2
73	48R0405030	clutch handle weldment	1
74	48R0409030	Clutch cable	1
75	48R0410010	Spring	1
76	5310510010	Screw	2
77	4510510010	Arc washer	2
78	4820541010	Knob	4
79	1101006020	Key	1
80	48R0416010	Lower handle	1
82	O102010020	Hex flange bolt	4
83	48R0414010	Lower cable bracket	1
84	5320517010	Cable clamp	1
85	48R0106040	Muffler net for HONDA	1
	5SH1200010	Muffler net for B&S	1
86	0106004010	Cross slot screw for HONDA	1

INFORMATION ON SAFETY DECALS

Below are the decals available for re-ordering to facilitate maintenance. All decals are available for replacement except that with the serial number of the unit for each number serves as an unique identifier for warranty and support purposes.

If you have any questions, please do not hesitate to contact your local weibang authorized dealer for further assistance.



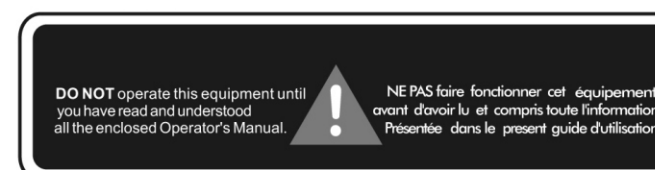
Service: Qty Required=1
PART No. L0106070



Engine: Qty Required=1
PART No. L0106040



Danger: Qty Required=1
PART No. L0203000



Operator: Qty Required=1
PART No. L0106060



Service: Qty Required=1
PART No. L0106080



Adjustment: Qty Required=1
PART No. 48RLP010



Warning: Qty Required=1
PART No. 48RLP030



Caution: Qty Required=1
PART No. L0106090

WEIBANG®

Logo: Qty Required=1
PART No. L0401050

CONTENTS LIST



Prior to setting up the Professional Power rake, check that the following items are enclosed:

Item	Quantity	Check if enclosed
WEIBANG Professional Power rake Unit	1	___ Yes ___ No
WEIBANG Professional Power rake Unit Handle & Clutch Handle	1	___ Yes ___ No
WEIBANG Professional Power rake Operator's Manual	1	___ Yes ___ No
Grass Catcher(if equipped)	1	___ Yes ___ No
Original Engine Manufacturer's Manual	1	___ Yes ___ No

If any of these items are missing, please contact your local authorized dealer and ask for the Service Department at once.

DO NOT ATTEMPT ASSEMBLY OR OPERATION WITHOUT ANY OF THESE LISTED PARTS!

SETTING UP THE POWER RAKE

- Cut away and remove box from power rake.
The Power rake is a heavy unit. **DO NOT ATTEMPT TO MANUALLY LIFT FROM BOX ALONE!**

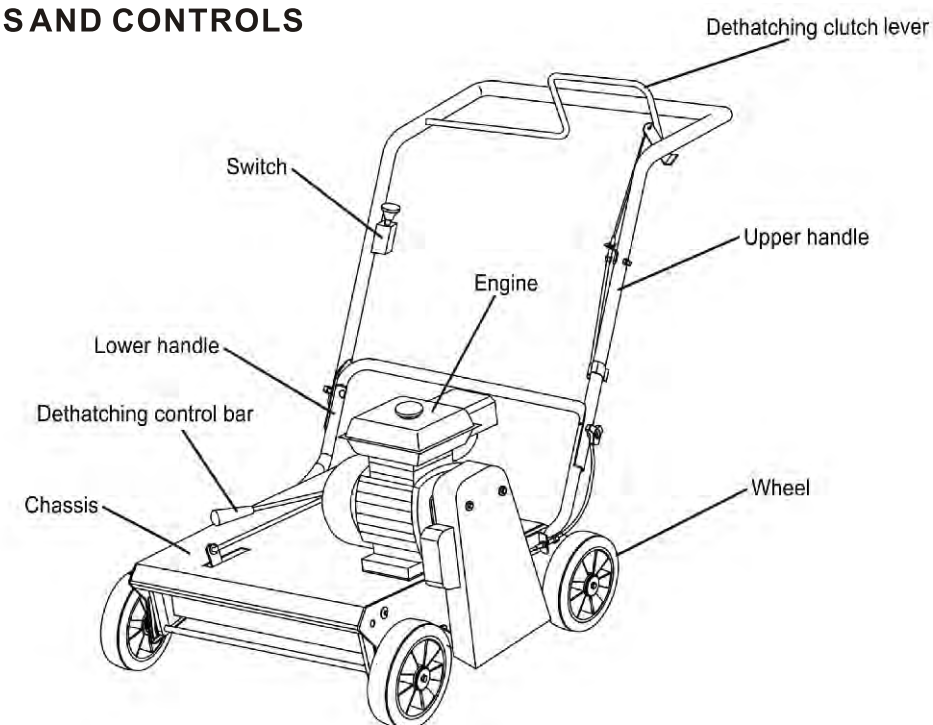


MAKE sure that BOTH people lifting the machine are capable of lifting at least 100 lbs/45.36 kgs individually!! NEVER ATTEMPT TO LIFT THE MACHINE WITH ONLY ONE PERSON!!

- Fold the handle into upright position.
- Verify that all bolts are tightened to secure handle to unit.
- Attach clutch cable to handle.
- Ensure that clutch cable is connected correctly by testing the clutch spring. It should stretch from 3/4"(1.9 cm) to 1"(2.54 cm) maximum and releases easily.
- Check engine to ensure that it is filled with oil.
- Verify with Engine Manufacturer's Manual for any further procedures to prepare engine for use.

SETTING UP THE POWER RAKE CONT'D...

FEATURES AND CONTROLS



Switch--through which to stop a running engine.
Dethatching control bar-- through which to convert the rake to dethatching state or not.
Dethatching clutch lever-- through which to engage the rotor with flails.

PRE-OPERATION PROCEDURES

Before using the WEIBANG Professional Power rake, please perform the following procedures for the personal and property safety of the operator and jobsite and for optimal performance.

- Before operating the power rake ensure that it is structurally and mechanically safe by checking the following:
 - Perform a detailed visual inspection on the machine with particular attention to the following:
 - Are there any loose, worn or damaged parts? If so, **DO NOT ATTEMPT TO OPERATE THE MACHINE**. Make note of required parts, and contact your local authorized dealer for replacement parts and further assistance to service the unit **PRIOR** to any further use.
 - Is the machine, particularly the flails and rotor, clean and free of debris? Small rocks and other foreign objects can jam machine and cause the unit to malfunction, leading to serious injury to the operator and property damage on the jobsite.
 - Are there any cracks or damage on the engine? Consult with the engine manufacturer's manual for guidelines and instructions on service. **DO NOT ATTEMPT TO OPERATE THE MACHINE** until engine is refurbished to engine factory standards.
 - Are the flails engaged in the traveling position (i.e: raised from the working surface)? Ensure that the rotor is securely raised away from the working surface until arrival at jobsite. Moving the power rake with the flail and rotor in the lowered working position can damage the unit and jobsite.
 - Inspect the handle for the following:
 - Is the handle properly and securely attached to the machine?
 - Is the handle set in the correct operating position?
 - Consult the "Recommended Maintenance Schedule" section of this manual and verify that:
 - The wheels, zerks and carriage are lubricated and in good condition.

PRE-OPERATION PROCEDURES CONT'D...

- ii. The rotor and flails are clean and not in need of replacement. Consult the "Maintenance and Service" section of this manual for guidelines and instructions on when and how to change the flails.
- iii. The drive belt is in good condition and set to the appropriate tension. Consult the "Maintenance and Service" section of this manual for guidelines and instructions on taking care of the belt.



If any of the above checks fail, please take necessary steps to maintain or repair the unit before operating it in any environment.

2. Before operating the power rake, perform the following environmental checks:
 - a. Is the ground where the power rake will be operating level and solid? If it is a slope of more than 35% grade, please refer to "Dethatching on Inclined Surfaces" under the "Operation Procedures" section of this manual.
 - b. Has the lawn been cleared of debris such as string, wire, rocks, metal and other materials? Such items could cause malfunction or damage to the power rake that could also be potentially hazardous to the machine and operator.
 - c. Are all obstructions such as sprinkler lines, electrical boxes, fences etc. clearly marked?

OPERATION PROCEDURES

A. Transporting the POWER RAKE

1. Loosen bolt on handle until handle folds over the engine and rests against the machine.
2. Work with a partner, lift the unit to the transportation vehicle.
 - a. ALWAYS use safe lifting techniques to avoid back or muscle injury! Consult your local health and safety organization for tips and best practices for moving heavy machinery.
 - b. The POWER RAKE is a HEAVY machine. The net weight is 130lbs / 59kgs.



MAKE sure that BOTH people lifting the machine are capable of lifting at least 100 lbs/45.36 kgs individually!! NEVER ATTEMPT TO LIFT THE MACHINE WITH ONLY ONE PERSON!!

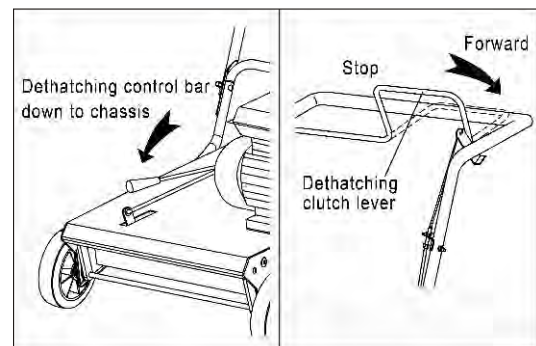
B. Preparing to dethatch

1. For optimum results, make sure that the ground is dry. Dethatching a wet lawn can damage grass roots, thus adversely affect lawn growth and health
2. Mow the lawn to its normal cut height. Check for depth of thatch by removing several sample plugs from the work area. If thatch is deeper than .3/4" (1.9 cm), two separate rakings are recommended (once in the spring and again in the fall) so as not to traumatize established lawn growth.
3. Check for the slope of any inclined area. This machine is not recommended on use on slopes with more than 35% grade.
4. Before operating the Power rake, check that the engine is in good order in accordance with the engine manufacturer's handbook.

TO OPERATE DRIVE SYSTEM (See Fig.6)

This power rake is a self-propelled machine

- To start forward motion, hold the dethatching control bar to the chassis, and then hold the dethatching clutch lever down to the upper handle.
- To stop forward motion, release dethatching clutch lever.

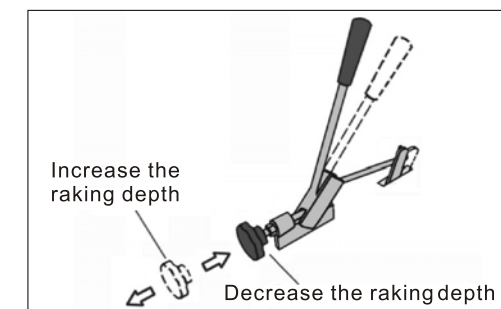


IMPORTANT: ALWAYS KEEP DETHATCHING CONTROL BAR FULLY ENGAGED AGAINST HANDLE WHEN IN USE.

OPERATION PROCEDURES CONT'D...

ADJUSTING THE RAKING DEPTH (See Fig. 8)

- Never adjust the dethatching depth with the motor still running.
- The rake is adjusted to one dethatching depth upon delivery.
- You can set the dethatching height to the desired depth to fit different lawn. Turn the knob to rear position to increase the dethatching depth or to front position to decrease the raking depth.



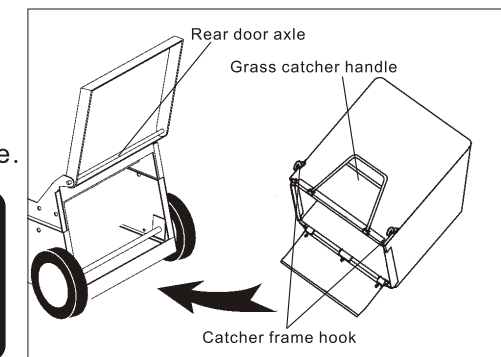
WARNING: The power rake can only be used on level lawns if the lowest raking height is being used.



CAUTION: Do not run your power rake without clipping deflector or approved grass catcher in place. Do not touch rotating tines.

TO ATTACH GRASS CATCHER (If equipped)

- Lift the rear door of the power rake and place the grass catcher frame side hooks onto the axle of the rear door.
- The grass catcher is secured to the power rake housing when the rear door is lowered onto the grass catcher frame.

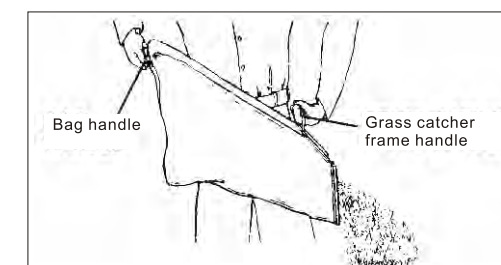


CAUTION: Do not run power rake without clipping deflector or approved grass catcher in place. Never attempt to operate the power rake with the rear door removed or propped open.

TO EMPTY GRASS CATCHER

1. Lift up on grass catcher using the frame handle.
2. Remove grass catcher with clippings from under rake handle.
3. Empty clippings from bag using frame handle and bag handle.

NOTE: Do not drag the bag when emptying; it will cause unnecessary wear.



CAUTION: During operation of emptying clippings from grass catcher, please wear protective gloves to prevent environmental influence on your skin.

BEFORE STARTING ENGINE ADD OIL

Your power rake is shipped without oil in the engine. Engine holds approximately 0.6L refer to engine manufacturers specifications in engine hand book. For type and grade of oil to use, see "ENGINE" in Customer Responsibilities section of this manual.

1. Be sure power rake is level and area around oil fill is clean.
2. Remove engine oil cap and fill to the full line on the dipstick. Pour oil slowly. Do not over fill.

NOTE: Allow oil to settle down into engine for accurate reading. To read proper level, tighten engine oil cap, then remove it to read the dipstick.

OPERATION PROCEDURES CONT'D...

3. Reinstall engine oil cap and tighten.
 - Check oil level before each use. Add oil if needed. Fill to full line on dipstick.
 - Change the oil after every 25 hours of operation or each season. You may need to change the oil more often under dusty, dirty conditions.

ADD GASOLINE

NOTE: Before filling fuel tank, remove and discard the debris plug that is inside the tank. Fill fuel tank. Use fresh, clean, regular unleaded gasoline with a minimum of 87 octants. Do not mix oil with gasoline. Purchase fuel in quantities that can be used within 30 days to assure fuel freshness.



WARNING: Experience indicates that alcohol blended fuels (called gasohol or using ethanol or methanol) can attract moisture which leads to separation and formation of acids during storage. Acidic gas can damage the fuel system of an engine while in storage. To avoid engine problems, the fuel system should be emptied before storage of 30 days or longer. Drain the gas tank, start the engine and let it run until the fuel lines and carburetor are empty. Use fresh fuel next season. See storage instructions for additional information. Never use engine or carburetor cleaner products in the fuel tank or permanent damage may occur.



CAUTION: Fill to bottom of gas tank filler neck. Do not overfill. Wipe off any spilled oil or fuel. Do not store, spill or use gasoline near an open flame.

TO START ENGINE

NOTE: Due to protective coatings on the engine, a small amount of smoke may be present during the initial use of the product and should be considered normal.

1. To start a cold engine, push in the switch knob, and then push primer (if equipped) three times before trying to start. Use a firm push. This step is not usually necessary when starting an engine, which has already run for a few minutes.
2. Move throttle control lever to fast position.
3. Hold and pull starter handle quickly. Do not allow starter rope to snap back.

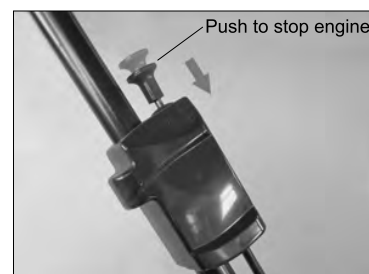
NOTE: In cooler weather it may be necessary to repeat priming steps (if primer equipped). In warmer weather over priming may cause flooding and engine will not start. If you do flood engine, wait a few minutes before attempting to start and do not repeat priming steps.



CAUTION: If the engine fails to start in 30 second after repeated starting operation by pulling the starter knob, please stop your operation and check the causes. See trouble shooting.

TO STOP ENGINE

To stop engine, release the driving clutch lever, and then push in the switch knob.



C. Dethatching on Flat Surfaces

1. Set flail depth such that they just touch a flat surface, such as pavement.



DANGER: Do not touch rotating tines
DO NOT SET FLAILS LOWER THAN NECESSARY! Lower flail settings will produce neither better results nor speed up the dethatching process. Inappropriate flail settings will cause premature wear on the unit, such as failed drive belts.

OPERATION PROCEDURES CONT'D...

2. Start engine and engage clutch to comfortable walking speed for the operator to maintain control of the power rake at all times.
3. Test the setting of the flails by dethatching a small area. Raise the depth setting if the following conditions occur:
 - a. Engine RPM suddenly drops to extremely low levels.
 - b. Unit pulls forward, bounces roughly or otherwise becomes difficult to control.
 - c. Grooves are left in the lawn by the power rake.
4. Thatch should be easily raked and deposited on top of healthy grass. If significant amounts of healthy grass are also removed in the process, adjust flail depth to decrease damage. If the lawn is covered by heavy thatch, lean on handle to raise front wheel slightly, engage the clutch, then SLOWLY lower dethatcher into ground.
5. Once appropriate flail depth is set, push the power rake in one constant direction and dethatch.
6. Engage clutch control and release to stop power rake.



ALWAYS keep flails RAISED where there is any possibility of crossing hard objects or surfaces such as rocks, pavement, etc.)

7. To turn the power rake, push down on handle to raise rotor and flails from turf and pivot on back wheels.
8. Remove and dispose of thatch after raking prior to any further lawn treatments.

D. Dethatching on Inclined Surfaces



DANGER: Do not touch rotating tines

1. When operating on inclines, note the following:
 - a. THIS MACHINE IS NOT DESIGNED FOR USE ON INCLINES OF MORE THAN 35% GRADE.

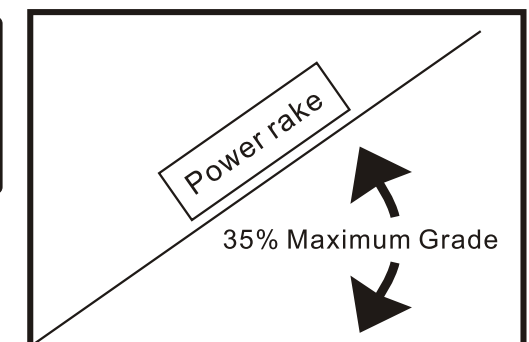


IF MACHINE IS USED ON EXTREME INCLINES, THE MACHINE MAY BECOME UNBALANCED TO THE POINT OF PRESENTING THE DANGER OF ROLLING OVER.

- b. Dethatching on inclines will cause the centre of gravity of the unit to shift to the downward side of the machine. The following conditions may occur as a result:
 - i. Greater effort and physical exertion may be required to maneuver and control the balance of the machine.
 - ii. Uneven raking results from the shift in gravity leading to downhill flails working at a lower raking depth than the uphill flails which are working at a higher setting.
2. Consider the following tips for dethatching on inclines:
 - a. Move machine across hills rather than up and down on the hill for greater control and even dethatching. (see above for explanation and Diag. 1 below for diagram). Raking across hills helps to prevent water runoff, and allows the lawn to hold more seed, fertilizer and water to encourage healthy growth.



Disengage tines from ground only when machine is on a flat surface. NEVER DISENGAGE TINES WHEN TRAVELLING UP OR DOWN INCLINES.



Diag. 1: Dethatching on inclined site

STORING THE POWER RAKE

- 1.Ensure that the area in which the machine will be stored is well-ventilated and free of any potential fire hazards such as open flames, gas appliances, furnaces, water heaters, and other appliances.
- 2.Clean and lubricate machine prior to storage.
- 3.Lightly lubricate flails and rotor to inhibit rusting.
- 4.Touch-up any scratches or damaged area exposing metal to the elements.
- 5.Order and re-apply any safety labels. Refer to "Information on Safety Decals" in "Parts Breakdown Section" of the manual for placement and parts numbers.
- 6.Verify with engine manufacturer's handbook for guidance on preparing engine for storage.
- 7.Store unit in transport position (see "Transporting the POWER RAKE" in "Operation Procedures" section).
- 8.Store the machine in a covered or indoor storage area for increased protection and longevity.

MAINTENANCE PROCEDURES

This section encompasses two general types of maintenance: 1. Preventative Maintenance and 2. General Service . The first refers to regularly scheduled routine care of the power rake, such as cleaning and lubrication. The second provides information on common procedures, such as changing flails, and adjusting the drive belt that are to be performed as needed.

By following the Inspection Schedule below BEFORE and AFTER each use of the power rake, appropriate actions can be taken to extend the service life of the machine and reduce any costly repairs and unnecessary downtime for the unit.



All service should be performed by trained technicians.

A. Inspection Schedule

The following list aims offer some basic guidelines to performing a detailed inspection BEFORE and AFTER each use. Certain checks will require some disassembly, i.e. the removal of the drive guard, to perform. Depending on various environ-mental conditions and frequency of use, other inspection points may have to be added for each machine.

Item	Yes	No
Is the engine oil filled to recommended levels? Consult Engine Manufacturer's Manual.		
Is the engine air cleaner properly attached and clean? Consult Engine Manufacturer's Manual.		
Is the clutch cable properly attached? Refer to p.10 "Setting up the Power rake" for details.		
Is the clutch cable worn or visibly damaged? Replace if necessary.		
Is the drive belt tension set properly? Refer to p.16 "Replacing Drive V-Belt and Pulley" for details.		
Does the drive belt show signs of wear and tear? Replace if necessary.		
Are all the flails in good condition? Are any flails worn down to minimum length of 3"/ 7.6 cm? If so, have they been replaced?		
Are the spring clips which secure the flails and rotor shaft in good condition? If so, make sure that the sprockets will be replaced before any further use as worn sprocket can lead to chain slippage and other mechanical issues that may cause serious harm to the jobsite and/or bodily damage to the operator.		
Is the carriage securely fastened and free of all debris? Lingering debris may lead to premature wear on the machine and shorten performance life.		
Are the safety warning labels and other decals clearly identifiable and legible? If not, ensure that fresh decals will be re-applied prior to use for operator safety.		
Is the frame and handle in good condition with no visible damage or rusting? If not, contact your local authorized dealer to replace machine prior to further use.		

MAINTENANCE PROCEDURES CONT'D...

B. Preventative Maintenance Procedures

Maintaining a regular cleaning and lubrication schedule as well as taking time to perform preventative maintenance procedures will prolong the service life of the POWER RAKE. The following are guidelines to setting up a regular maintenance routine for the power rake.

1. Cleaning the POWER RAKE

- i. After each use, the power rake, in particular the flails and rotor assembly, should be cleaned and washed of any dirt or debris that may be trapped in the unit.
- ii. When using a power pressure washer to clean the unit, **DO NOT USE ANY MACHINERATED HIGHER THAN 1000 PSI.**
- iii. Beware of damaging any warning decals and labels, as well as the drive belt, bearings and engine. Limit direct spray on these objects to help prevent their wear and tear.
- iv. For easier access to cleaning the power rake, the machine may be tipped on its engine guard for **NO MORE THAN 2 MINUTES.** Engine damage may result from gasoline flowing into the crankshaft due to prolonged tipping.

2. Lubrication Schedule

Regularly scheduled lubrication of the wheels, flails & rotor assembly, and linkage joints in the carriage is essential to smooth performance and extended equipment life. The following schedule is a recommended guide to lubricating your POWER RAKE. The schedule should be adjusted for various environmental conditions and frequency of use.

Item	Suggested Lubricant	Every 20 hours	Every 60 hours	As required	After each pressure wash	Storage
Engine	Refer to Owner's Manual for Engine			✓		
Depth Adjustment Lever	General Purpose Spray Lubricant	✓		✓		
Wheels	Lithium-based Grease		✓	✓	✓	✓
Folding Handle Attachment Kits	General Purpose Spray Lubricant	✓		✓	✓	✓
Flails & Rotor	General Purpose Spray Lubricant			✓	✓	✓
Linkage	General Purpose Spray Lubricant	✓		✓	✓	✓
Zerks	General Purpose Spray Lubricant			✓	✓	✓



Technician should read and thoroughly understand all manuals pertaining to the machine to be serviced. Do NOT proceed with any service and maintenance activity until ALL questions and concerns have been addressed. Please contact your local authorized dealer for technical support and advice.



ALWAYS consult and verify that all local codes and bylaws are followed before performing any service or maintenance procedures.

MAINTENANCE PROCEDURES CONT'D...

C. General Service Procedures

The following are general guidelines for servicing common wear components on the power rake. ALL MAINTENANCE AND SERVICE WORK MUST BE PERFORMED BY A TRAINED AND EXPERIENCED TECHNICIAN. Ensure that the work area is clean and free of debris prior to starting any maintenance or service work. Small particles may become trapped in key components that may lead to serious damage to the machine and cause severe bodily harm to the operator or technician.

Before performing any service and maintenance procedures, consult these general safety procedures for a safe working environment.

1. Make sure that both the engine and power rake are cool prior to any service or maintenance work.
2. Verify that work area is clean and free of any debris, tripping or fire hazards, and other potential sources of danger.
3. Always wear proper safety clothing and equipment for the job. These can and should include eye and ear protection, gloves, dust mask and any other items that are appropriate for the job and jobsite requirements.
4. Ensure that the technician has tied back or remove any loose hair, clothing and any other potential hazards and obstructions.
5. Disconnect spark plug.



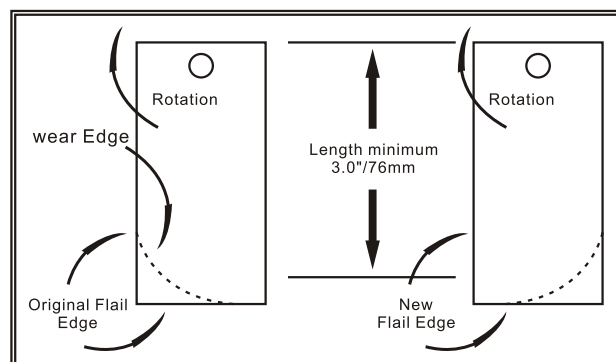
Use WEIBANG brand-name parts for compatibility and optimum performance. Use of any other parts prior to consulting with your local authorized dealer will void all warranties expressed herein.

1. Maintaining Flail Blades

Flails are a normal wear and tear item. There are two procedures that apply to the maintenance of flails:

- a. If the striking edge of the flails are dulled by use (see diagram 2), rotate the rotor end to end for fresh blades.
- b. Replacing the flails when they have reached the wear limits on diagram 2.

Please contact your local dealer for details.



Diag.2:Flail Maintenance Reference

2. Replacing drive V-belt and pulley,

If it is needed to replace drive V-belt and pulley, please contact your local dealer for details.

TROUBLESHOOTING

Often, small problems can occur in daily operation of any machine. The following troubleshooting guide aims to address common issues and offer suggestions on how to correct such problems.

Please review this guide before requesting service. Small problems can often be fixed simply by following these guidelines. If there are any further questions or concerns, please do not hesitate to contact your local weibang authorized dealer for assistance!

Problem	Possible Causes	Suggested Solutions
Engine stalls or labours when raking	Flails set too low to ground.	Raise flails such that they just skim the ground when level.
Abnormal or excessive vibration	Damaged or missing flails Loose handle bolts Loose engine bolts	STOP WORK IMMEDIATELY Replace any damaged or missing flails and tighten all bolts and nuts.
Engine will not start	Stop switch is off. Throttle in "off" position. Engine not in full choke position. Out of gasoline. Bad or old gasoline. Spark plug wire is disconnected or improperly connected. Engine oil level too low (Oil Alert). Dirty air cleaner	Check that all switches are on. Verify that throttle and choke position are in proper setting. Fill gas tank up. Empty and dispose of bad/old gasoline as per local bylaws. Refill with new gasoline. Reconnect spark plug wire. Refill engine oil. Clean or replace air filter.
Engine is locked and will not pull over	Debris locked up against rotor assembly and/or drive pulleys. Engine problem.	Disconnect spark plug wire and remove debris prior to restarting machine. Refer to engine owner's manual for instructions on any engine problems.



ALWAYS MAKE SURE THAT THE MACHINE IS TURNED OFF AND ON STABLE GROUND PRIOR TO PERFORMING ANY SERVICE OR TROUBLESHOOTING PROCEDURES.

EC DECLARATION OF CONFORMITY

Business name of the manufacturer: **Yangzhou Weibang Garden Machine Company Limited**

full address of the manufacturer: **Hanjiang Industrial Park, Yangzhou City,
Jiangsu Province 225127, P. R. China**

name and address of the person (established in the Community) compiled the technical file:

Van Dyck Marcel Belgium, Provinciebaan 79, 2235 Houtvenne Belgium

We declaring that the machinery

product name: **Power Rake, powered by Gasoline**

commercial name: **Power Rake, powered by Gasoline**

function: **Soil-working**

model: **WB384RB, WB384RC, WB486CRB, WB487CRB, WB486CRH**

series no.:

type: **gasoline powered**

Guaranteed sound power : **WB486CRB, WB487CRB, WB486CRH** LWA=99dB(A)

Guaranteed sound power : **WB384RB, WB384RC** LWA=98dB(A)

fulfils all the relevant provisions of Directives:

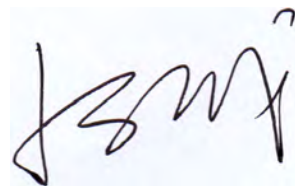
2006/42/EC

and tested in accordance with below standards:

EN 13684:2004+A3:2009

place and date of the declaration: **Yangzhou, P. R. China, 2013-03**

signature of the person:



General manager

WEIBANG WARRANTY STATEMENT

WEIBANG GARDEN MACHINES COMPANY LIMITED guarantees all WEIBANG Professional Power rakes to be free from any manufacturer's defects in material and workmanship for a period of one (1) year from the date of purchase . This warranty is exclusive of the engine (please consult the accompanying engine manual with your unit for details), and any normal wear and tear and/or consumable parts, such as, but not limited to, flails, spacers, clutch, clutch lining, drive belt, and throttle cable. All normal wear and tear and/or consumable parts are protected from manufacturer's defects in material and workmanship for a period of thirty (30) days from the date of purchase.

Weibang Warranty Summary	Protection
1. WEIBANG Professional Power rake Unit	1 year parts and labour
2. WEIBANG normal wear and tear parts or consumable parts	30 days parts and labour
3. Engine	Consult with engine manufacturer

To make a warranty claim within this time period, please contact your local weibang authorized dealer, who will advise the validity and claim procedure. Once the claim has been accepted, the unit and/or parts should be shipped to the specified Authorized Service Centre at the customer's expense. Be sure to securely pack the unit and parts in a strong container. Damage in transit is not covered by this warranty. All approved repairs under this warranty will be returned free of charge.

Warranties expressed in this document are void if repairs are attempted by anyone other than an Authorized Service Centre or your local authorized dealer or if the unit has been modified from original factory design in any way. This warranty is expressly conditional upon the customer's compliance with all precautions and instructions contained in this manual and excludes any claims made as a result of abuse, neglect, accident, normal wear and tear and misuse. This warranty is non-transferable.

Yangzhou Weibang Garden Machine Company Limited

Hanjiang Industrial Park

Yangzhou, Jiangsu, P.R. CHINA

Tel : +86-514-87849959 Fax: +86-514-87849938

Email questions and comments to:

Sale@weibang.com

Visit our website:

www.weibang.com

WEIBANG WARRANTY REGISTRATION

Customer keep

Congratulations for choosing an WEIBANG product to meet all your tough jobsite needs! Please file your original bill of purchase for this unit in a safe place. For warranty service of your WEIBANG product, you will need to provide a copy of this document to confirm your warranty status.

Product registration is a key step toward enjoying your new WEIBANG product! While registration is not necessary to enjoy our manufacturer's warranty, there are many benefits to participating in this program. Registration helps to facilitate warranty service, and notify you of any updates, changes, and service advisories on your product. Complete this Warranty Registration Card and fax it to _____ or mail it to the address on the back of this card within 14 days.

Data Protection: your data will be held and used by WEIBANG and their authorized dealers for warranty administration and marketing purposes only. WEIBANG will not forward this data to third parties.

If you do not wish to receive marketing information please tick box.

Warranty Registration Information			
<i>A. Ownership Information</i>			
Owner's Name:			
Owner's Address:			
Post code:		Country:	
<i>B. Machine Information</i>			
Date of purchased:			
Machine Model:			
Machine Serial No:			
<i>C. Product Information Update</i>			
Can we contact you with any product-related news?			
Who should we contact?			
Contact Telephone:			
Contact Fax:			
Contact E-Mail:			
What is the preferred contact method?			
<i>D. Signature</i>			
Dealer name/address		Signature	
Customers: My signature hereby confirms that I have received the operating instruction intended for the device, instructions and the device free of obvious defects.		Signature	

WEIBANG WARRANTY REGISTRATION

Return to WEIBANG

Congratulations for choosing an WEIBANG product to meet all your tough jobsite needs! Please file your original bill of purchase for this unit in a safe place. For warranty service of your WEIBANG product, you will need to provide a copy of this document to confirm your warranty status.

Product registration is a key step toward enjoying your new WEIBANG product! While registration is not necessary to enjoy our manufacturer's warranty, there are many benefits to participating in this program. Registration helps to facilitate warranty service, and notify you of any updates, changes, and service advisories on your product. Complete this Warranty Registration Card and fax it to _____ or mail it to the address on the back of this card within 14 days.

Data Protection: your data will be held and used by WEIBANG and their authorized dealers for warranty administration and marketing purposes only. WEIBANG will not forward this data to third parties.

If you do not wish to receive marketing information please tick box.

Warranty Registration Information			
<i>A. Ownership Information</i>			
Owner's Name:			
Owner's Address:			
Post code:		Country:	
<i>B. Machine Information</i>			
Date of purchased:			
Machine Model:			
Machine Serial No:			
<i>C. Product Information Update</i>			
Can we contact you with any product-related news?			
Who should we contact?			
Contact Telephone:			
Contact Fax:			
Contact E-Mail:			
What is the preferred contact method?			
<i>D. Signature</i>			
Dealer name/address		Signature	
Customers: My signature hereby confirms that I have received the operating instruction intended for the device, instructions and the device free of obvious defects.		Signature	

WEIBANG WARRANTY REGISTRATION

Dealer keep

Congratulations for choosing an WEIBANG product to meet all your tough jobsite needs! Please file your original bill of purchase for this unit in a safe place. For warranty service of your WEIBANG product, you will need to provide a copy of this document to confirm your warranty status.

Product registration is a key step toward enjoying your new WEIBANG product! While registration is not necessary to enjoy our manufacturer's warranty, there are many benefits to participating in this program. Registration helps to facilitate warranty service, and notify you of any updates, changes, and service advisories on your product. Complete this Warranty Registration Card and fax it to _____ or mail it to the address on the back of this card within 14 days.

Data Protection: your data will be held and used by WEIBANG and their authorized dealers for warranty administration and marketing purposes only. WEIBANG will not forward this data to third parties.

If you do not wish to receive marketing information please tick box.

Warranty Registration Information

A. Ownership Information

Owner's Name:			
Owner's Address:			
Post code:		Country:	

B. Machine Information

Date of purchased:	
Machine Model:	
Machine Serial No:	

C. Product Information Update

Can we contact you with any product-related news?	
Who should we contact?	
Contact Telephone:	
Contact Fax:	
Contact E-Mail:	
What is the preferred contact method?	

D. Signature

Dealer name/address	Signature
Customers: My signature hereby confirms that I have received the operating instruction intended for the device, instructions and the device free of obvious defects.	Signature